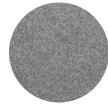
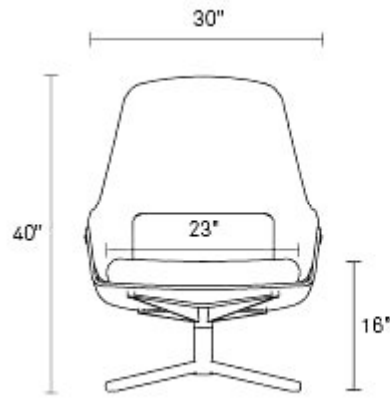


Lock Lounge Chair



Interlocking plywood shapes conspire together to form a comfortable high back lounge with strong presence. The upholstered back and seat rest on a powder-coated steel swiveling base, while the tone on tone color scheme highlights the interplay of materials. Comfort lumbar pillow included.



GABRO GREY



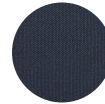
MAHARAM
MODE IN
CLAVICLE



ONYX
LEATHER



CANYON
LEATHER



TOOHEY
NAVY

Product Details	LC1-LNGEOB-GG LC1-LNGESS-CC LC1-LNGEBK-ON LC1-LNGESS-CY LC1-LNGEOB-NV	GABRO GREY MAHARAM MODE IN CLAVICLE ONYX LEATHER CANYON LEATHER TOOHEY NAVY	\$1,895 \$1,895 \$2,895 \$2,895 \$1,895
<ul style="list-style-type: none"> • Padded and upholstered chair with tonal veneer and plywood seat pan • Powder-coated swivel base • Feather and fiber-fill lumbar pillow included • Gabro Grey (Walnut veneer): 70% Wool / 20% Polyester / 5% Nylon / 5% Acrylic blend upholstery 100,000 Double Rubs • Toohey Navy (Walnut veneer): 97% Sunbrella Acrylic / 3% Other Fibers; Easy to clean performance fabric 100,000 Double Rubs • Sunbrella fabrics can be cleaned and sanitized using bleach or any additional disinfectants without experiencing color loss or degradation • Sunbrella upholstery fabrics are Green Guard and Green Guard Gold certified to meet the standards for low chemical emissions and VOCs, contributing to healthy indoor air • Maharam Mode in Clavicle (White Oak veneer): 80% Post-Consumer Recycled Polyester / 20% Polyester 100,000 Double Rubs • Maharam upholstery fabrics are Green Guard and Green Guard Gold certified to meet the standards for low chemical emissions and VOCs, contributing to healthy indoor air • Onyx Leather (Walnut veneer): An aniline leather with a soft matte finish and velvety feel; Variation in the natural leather becomes more beautiful with use • Canyon Leather (White Oak veneer): This semi aniline corrected leather has a subtle, pebble-like texture, marked by a silky smooth and drapey hand that exudes a more modern aesthetic; Offering color consistency throughout the hides, it is ideal for high traffic applications • Color variation is a signature to the authenticity of natural leather • BIFMA rated • Some assembly required 			

Are you a trade professional? Visit bludot.com/trade-contract