

INSTRUCTION MANUAL

6 Drawer Dresser



 wolfthontech1@gmail.com

Please choose SMS or email as your first choice for communicating with us.

WELCOME TO THE FUTURE OF HOME ENTERTAINMENT!

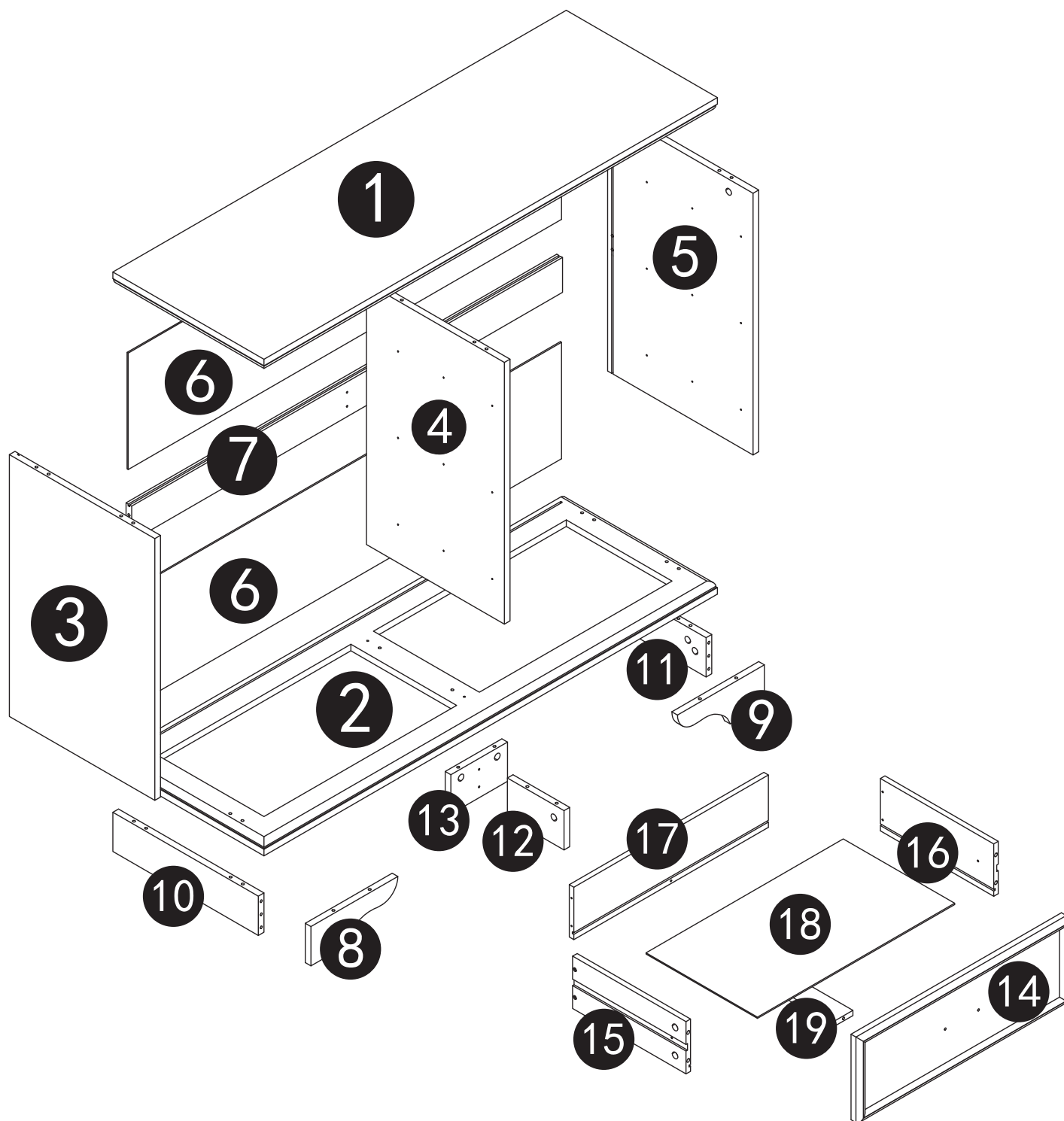
Thank you for choosing our new sideboard cabinet! Our products are designed to be both stylish and functional, with a focus on energy efficiency and sustainability.

We use high-quality materials to ensure that our pieces are built last, so you can enjoy them for years. Whether you're looking for designed storage cabinet, we have something for everyone.

Our products are perfect for any home or office, and we're confident that you'll love them as much as we do!

PRE-ASSEMBLY PREPARATION

Ensure all parts and hardware are included in the package.
Lay out all components on a flat, soft surface to avoid scratches.



PRE-INSTALLATION

GRAB YOUR TOOLS



Phillips Screwdriver



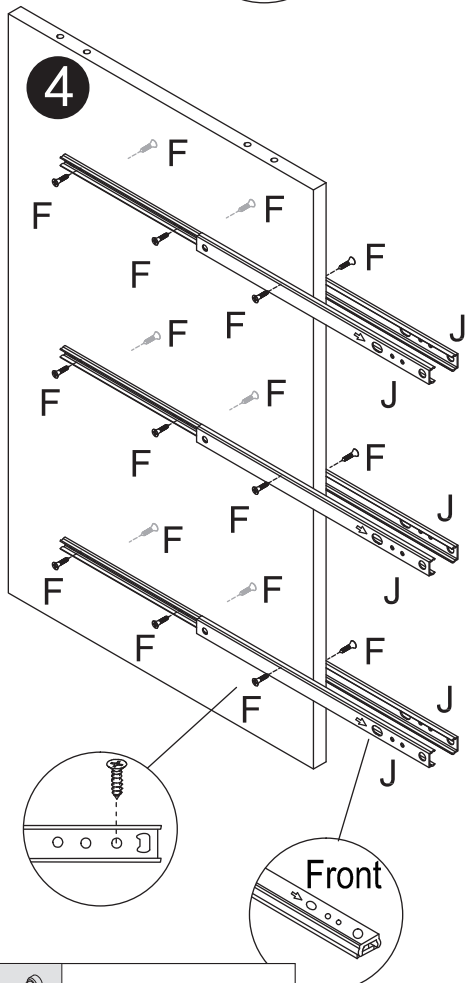
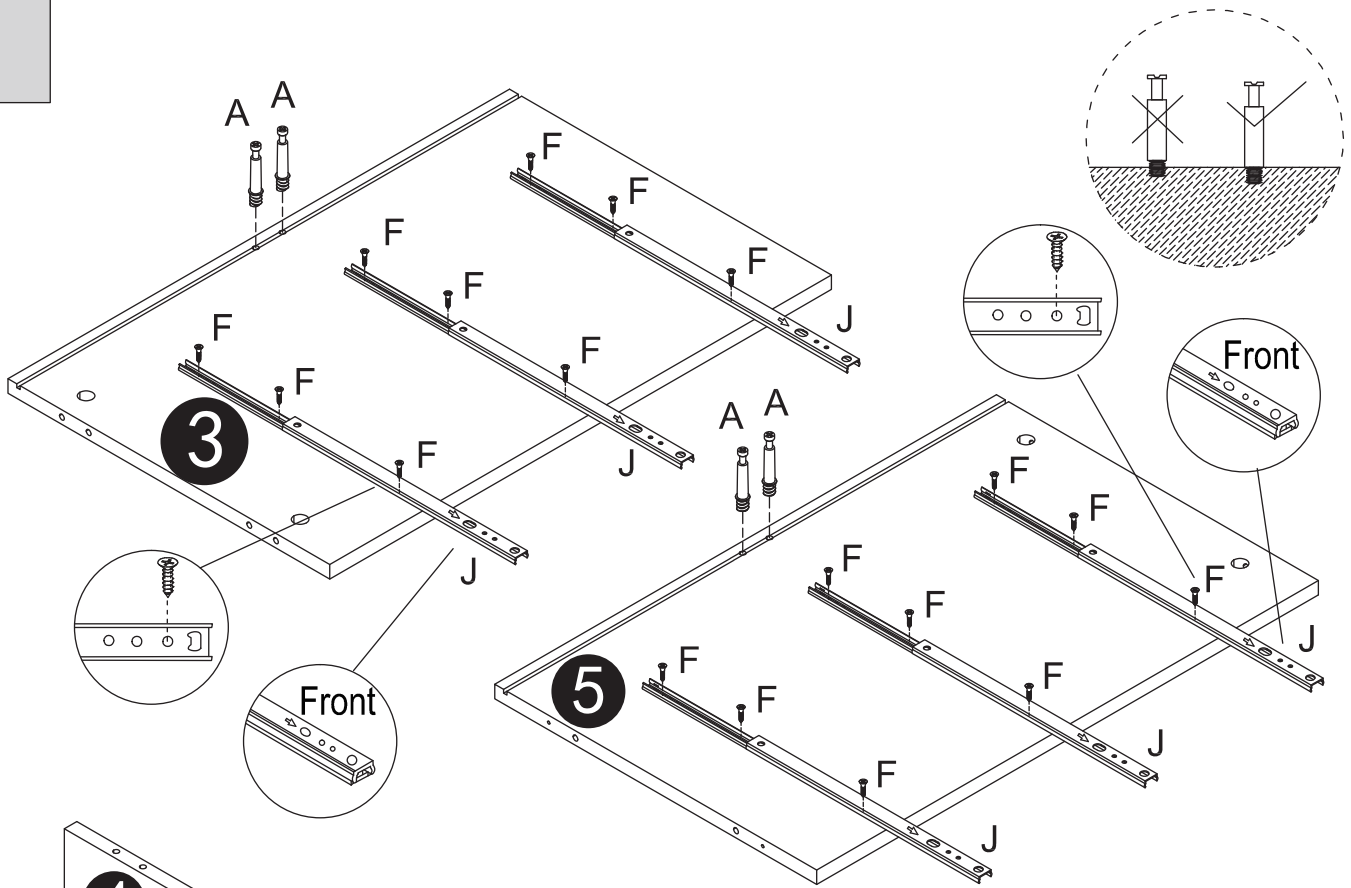
2 Persons Assembly

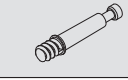




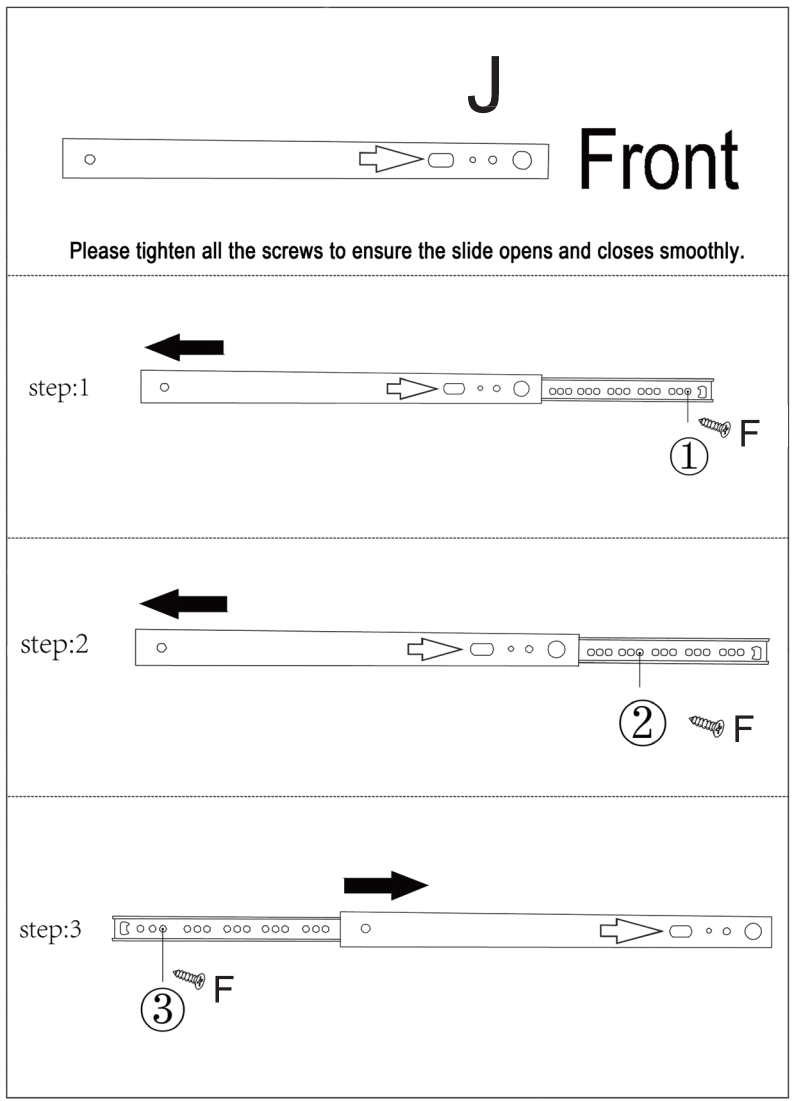
Up to 40 Minutes For Assembly

Panel List

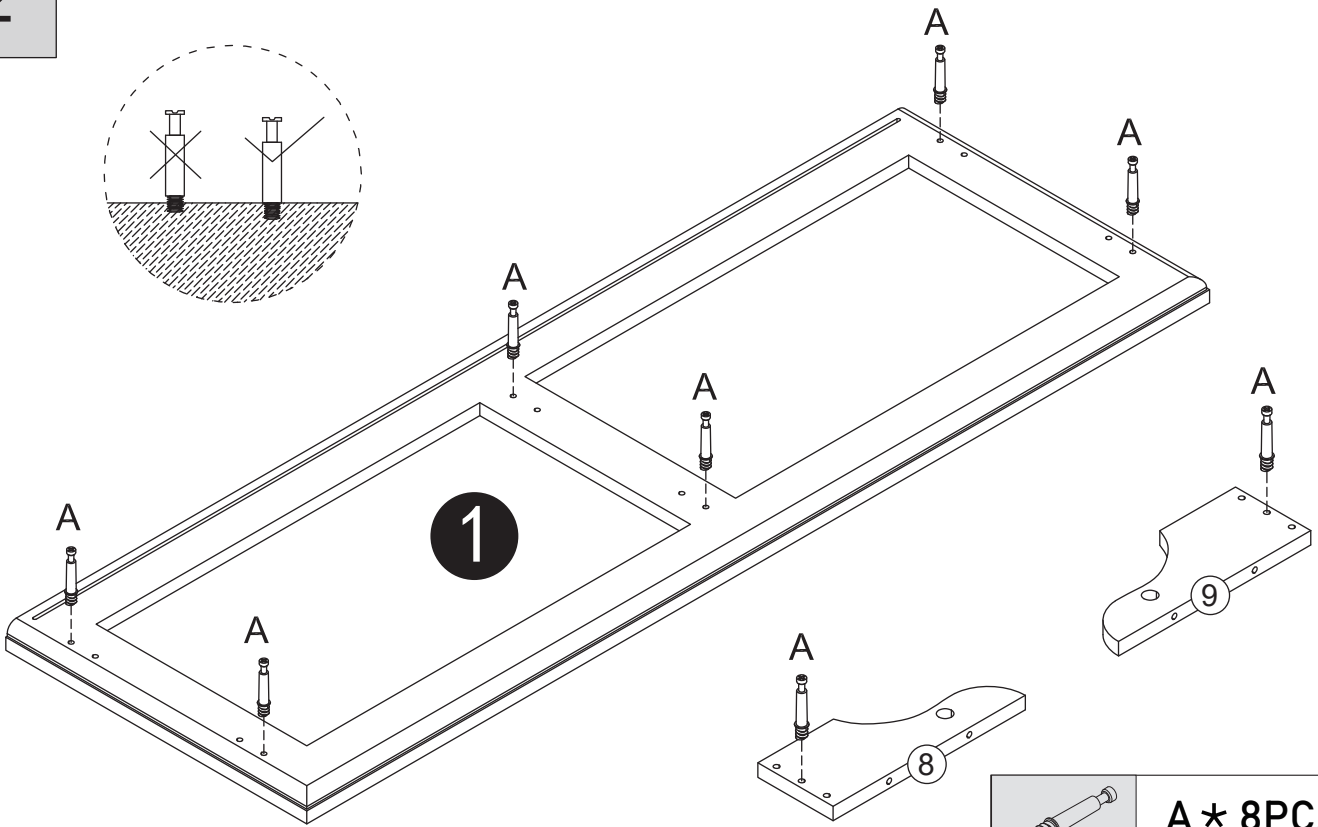
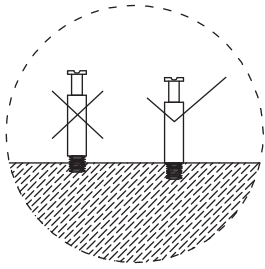
A	x51pcs	B	x51pcs	C	x23pcs	D	x6pcs
				Φ6x30mm		Φ4x50mm	
E	x36pcs	F	x36pcs	G	x6pcs	H	x12pcs
Φ4x35mm		Φ3x12mm					
I	x5pcs	J	x12pcs	K	x12pcs	L	x2pcs
				Φ4x12mm			
M	x2pcs	N	x4pcs	O	x2pcs		
Φ4x14mm							



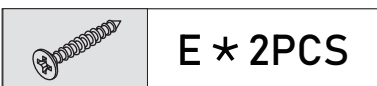
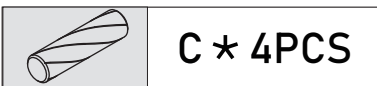
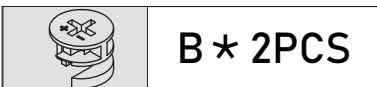
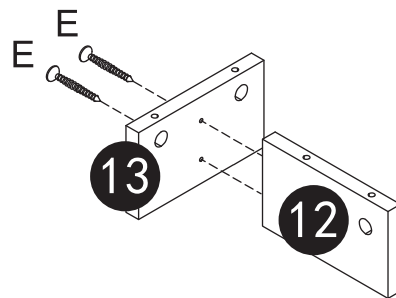
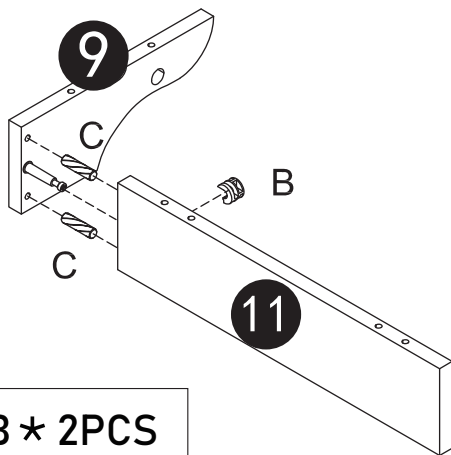
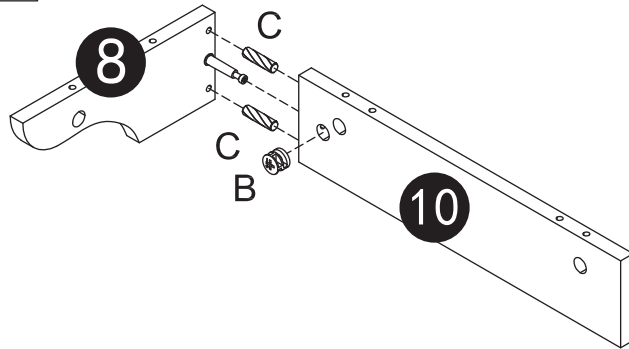
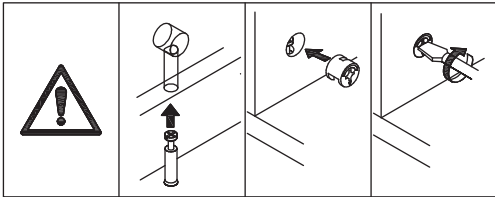
-  **A * 4PCS**
-  **F * 36PCS**
-  **J * 12PCS**



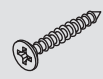
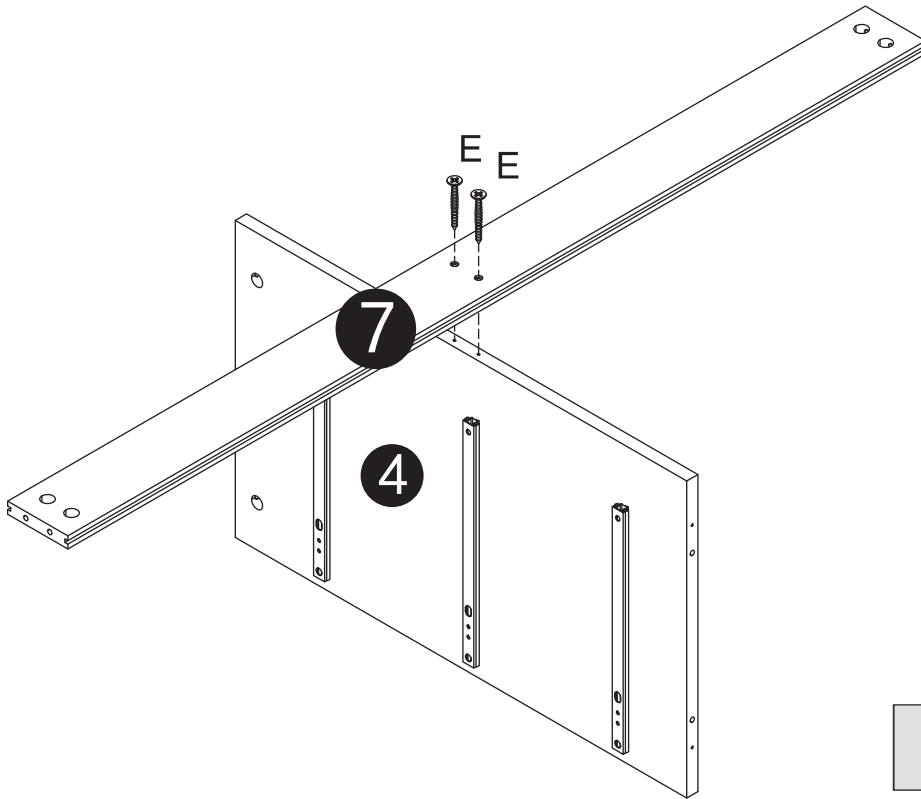
2



3

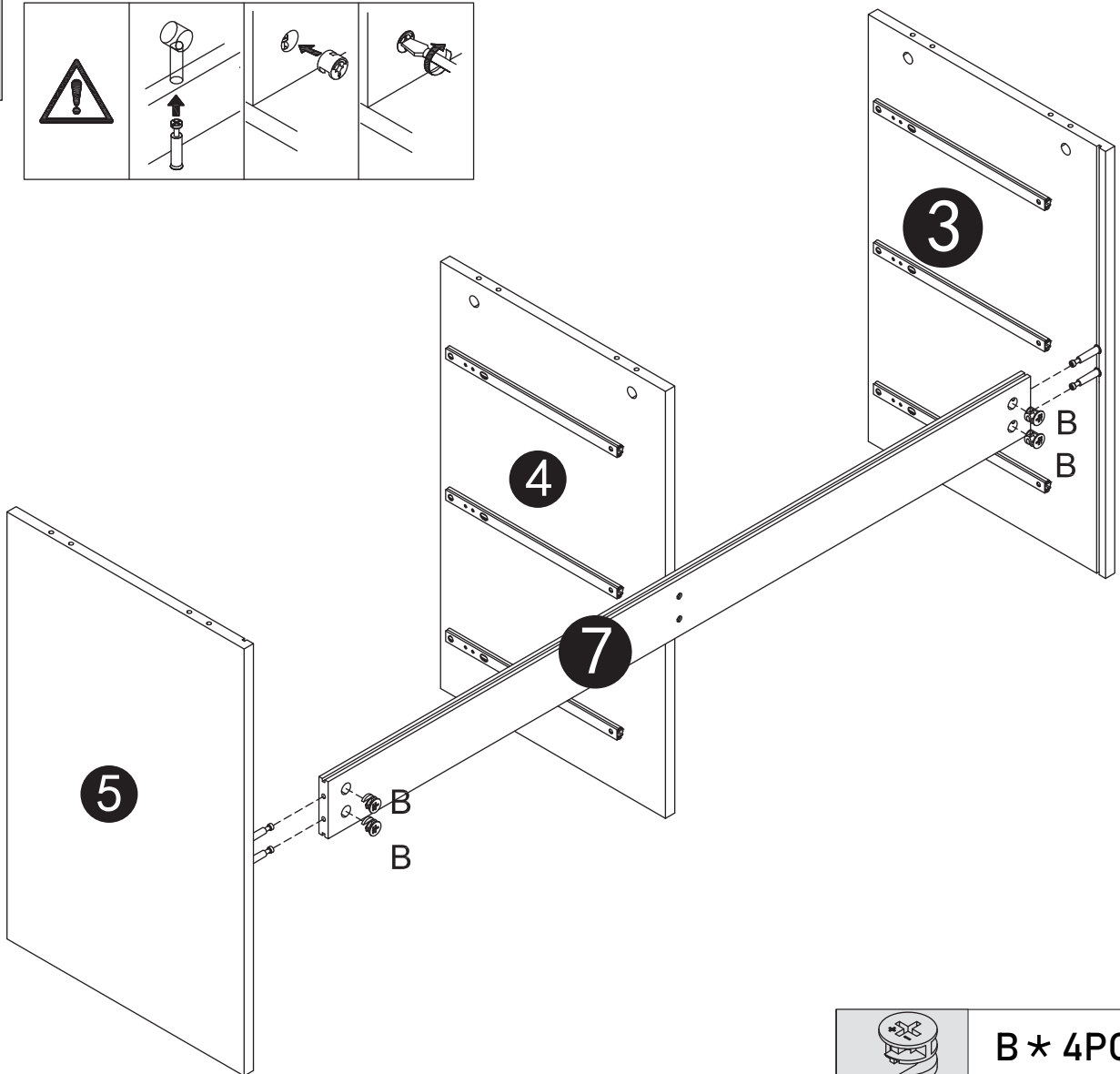
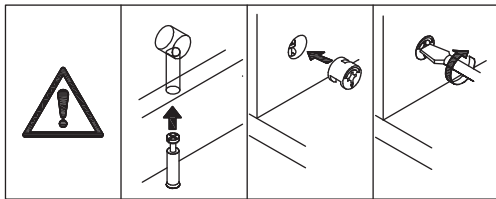


4



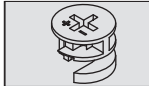
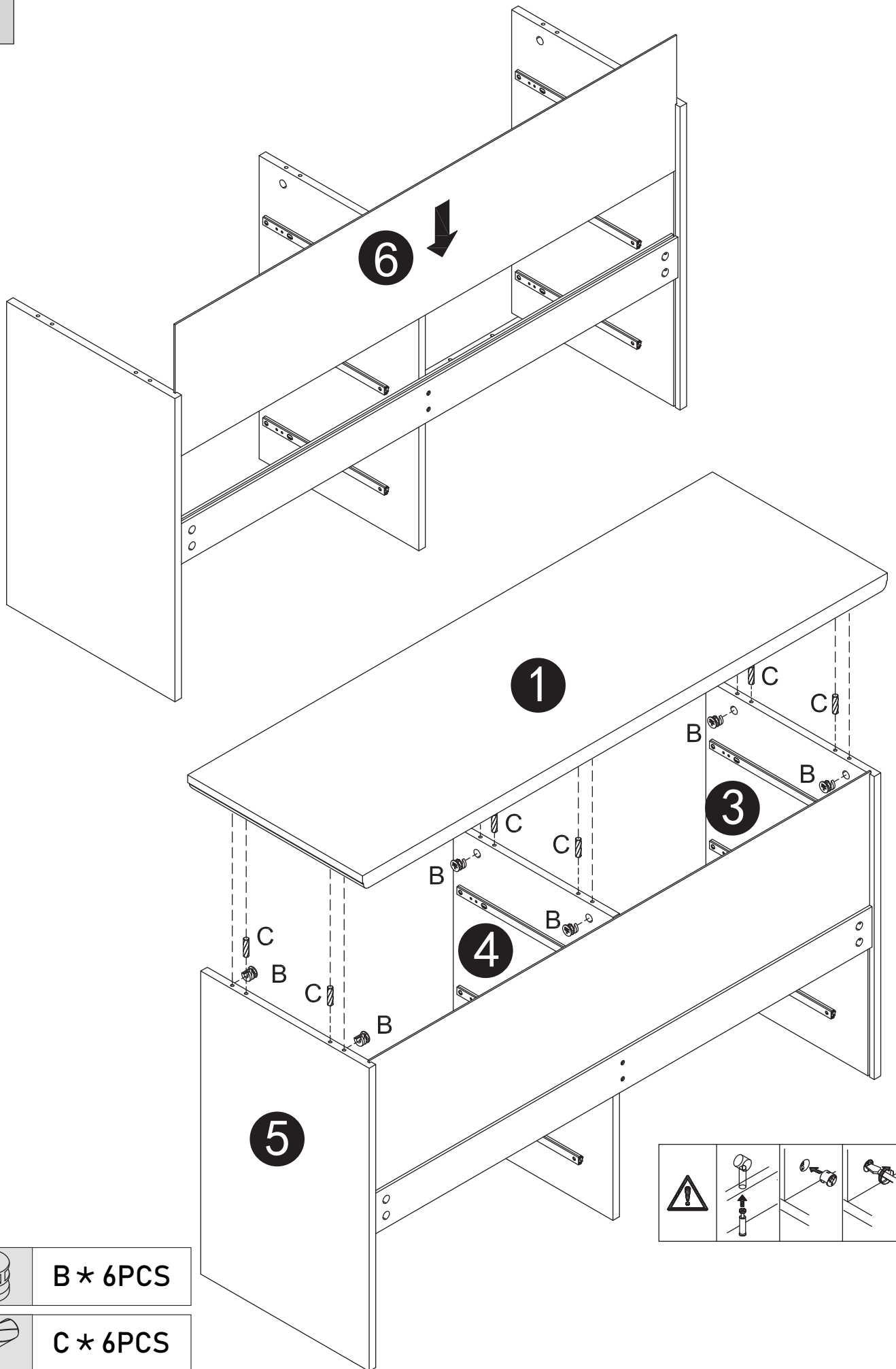
E * 2PCS

5

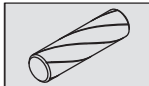


B * 4PCS

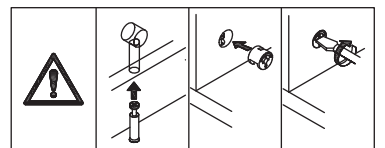
6

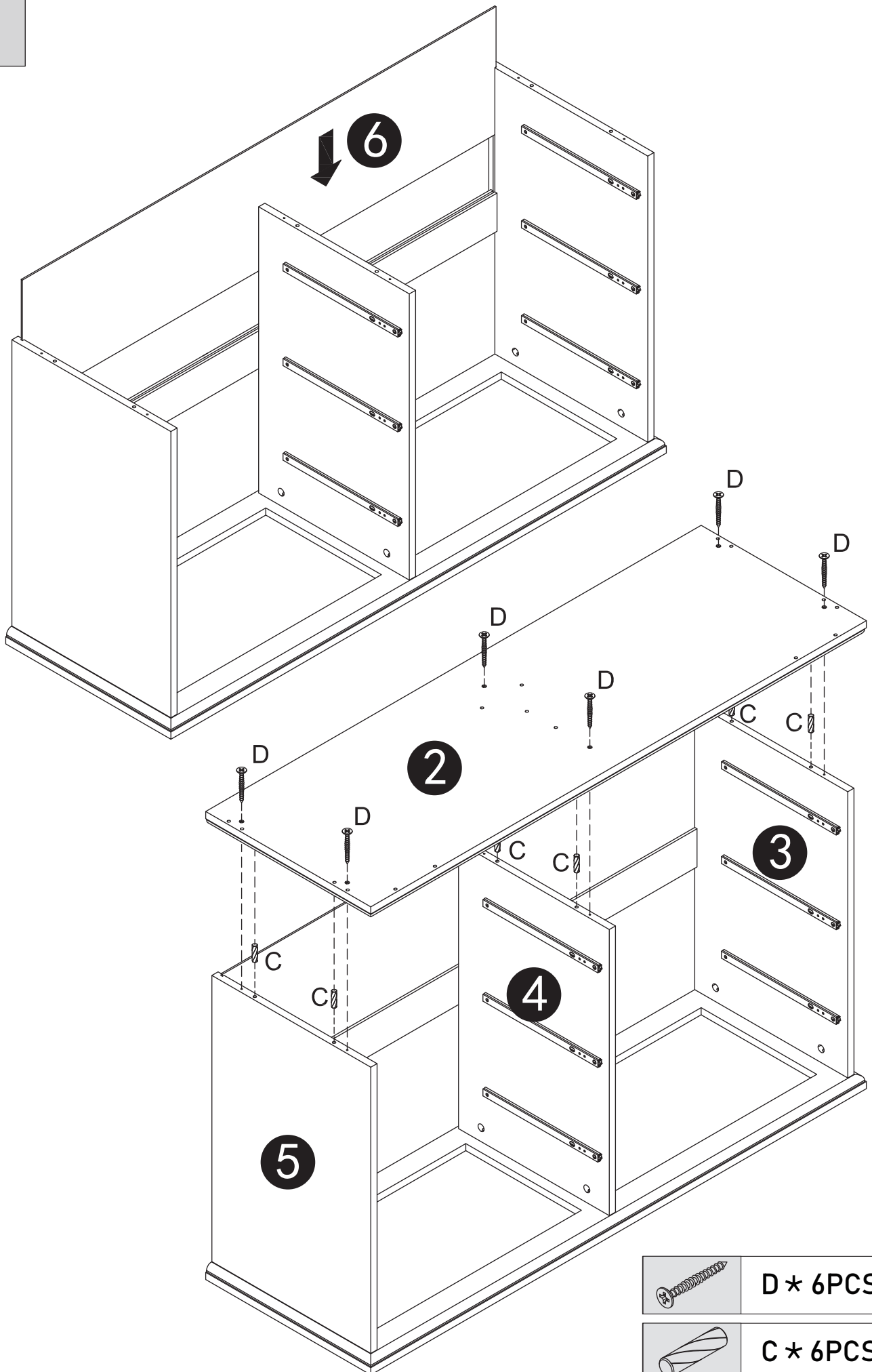


B * 6PCS

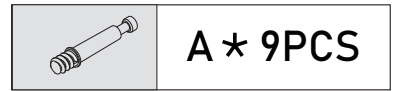
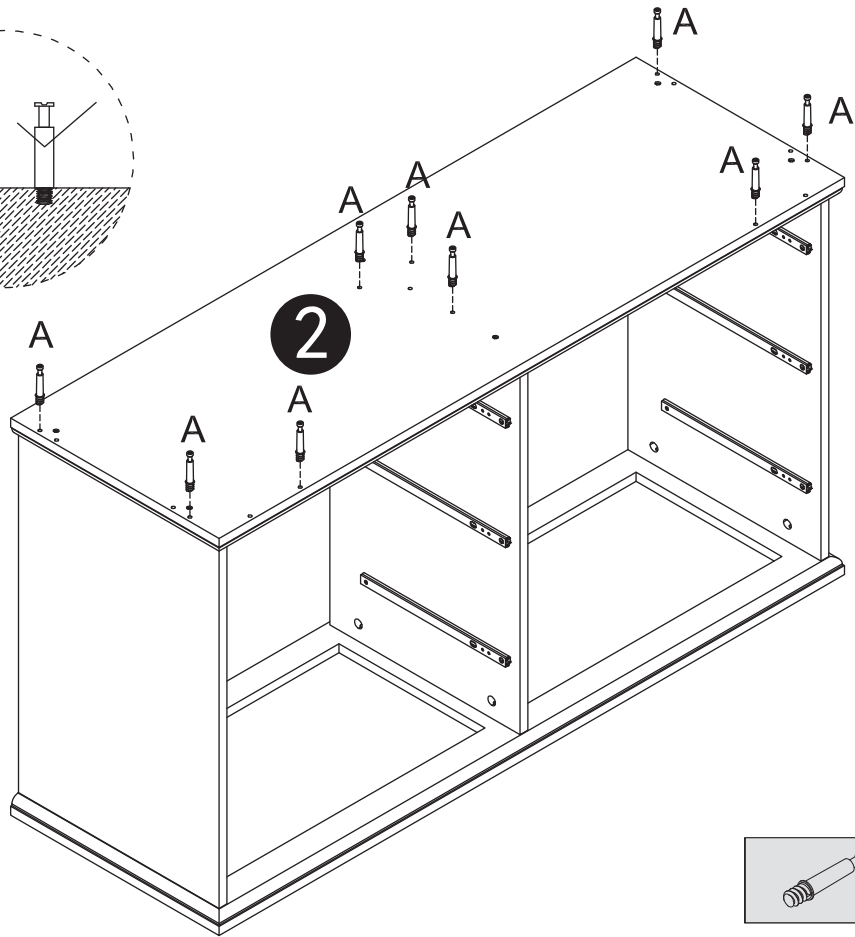
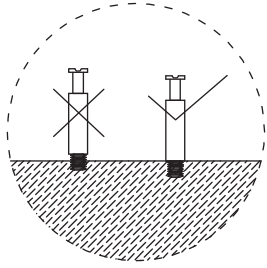


C * 6PCS

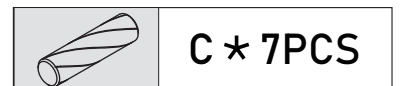
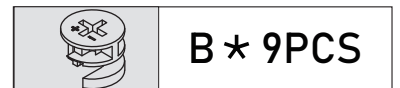
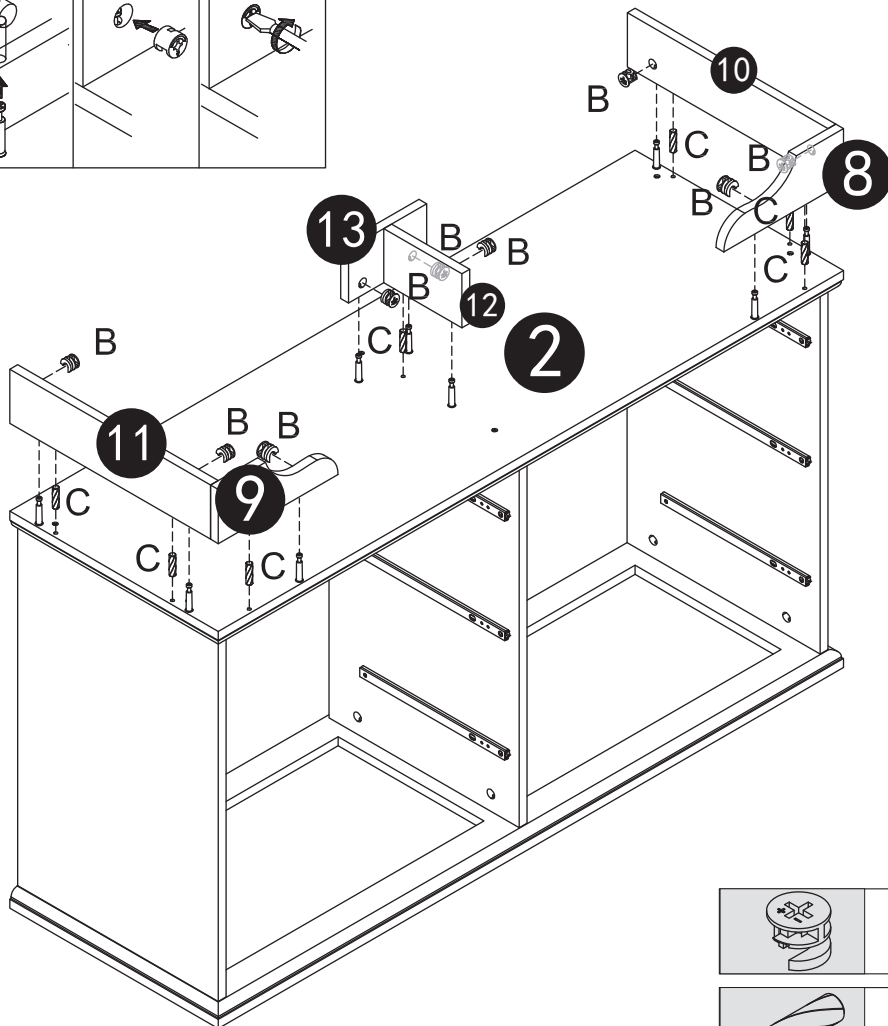
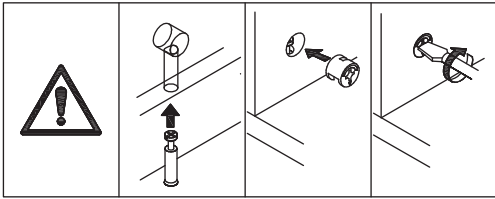




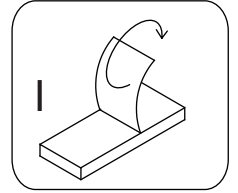
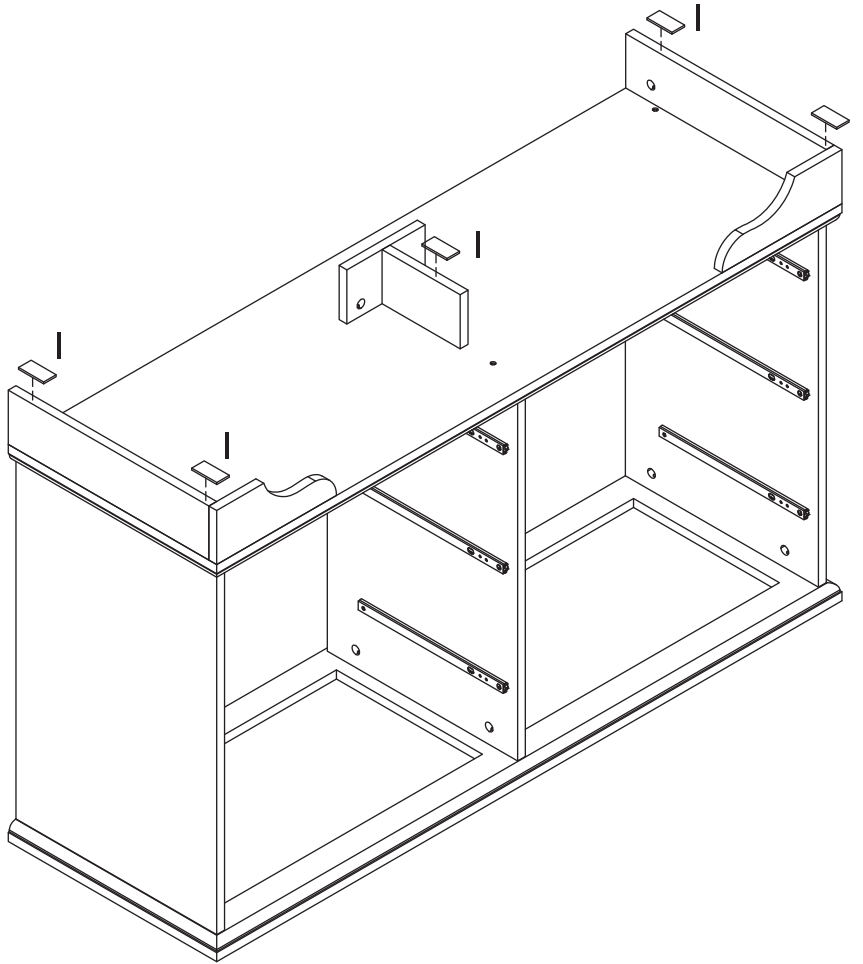
8



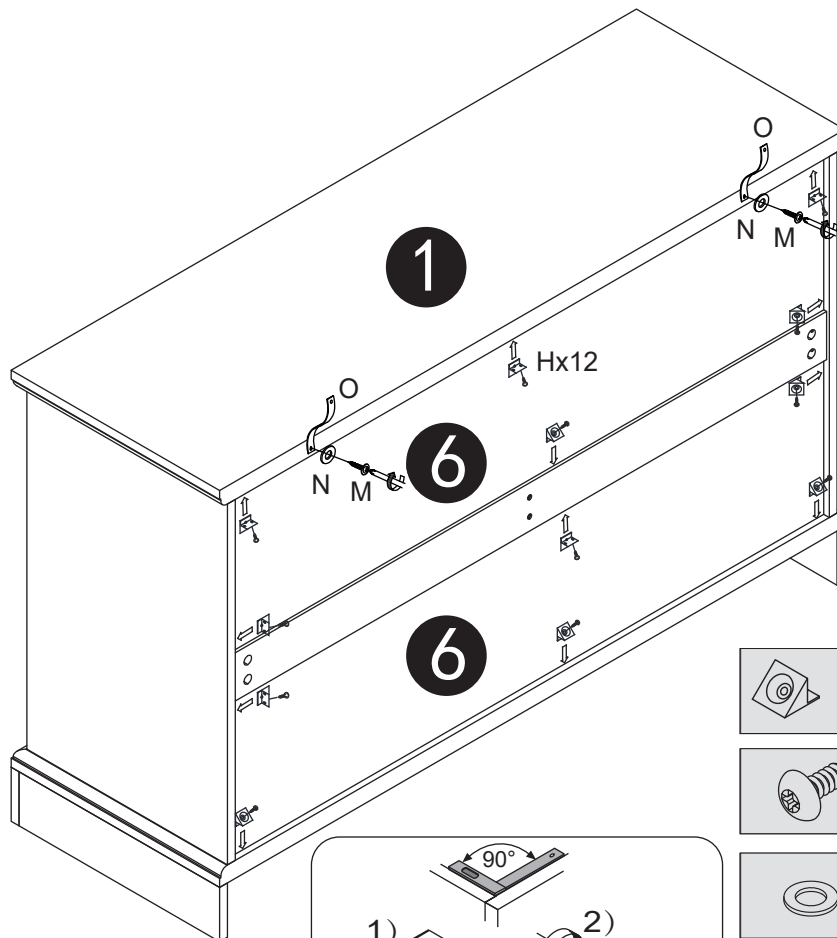
9


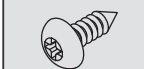

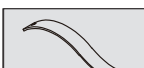


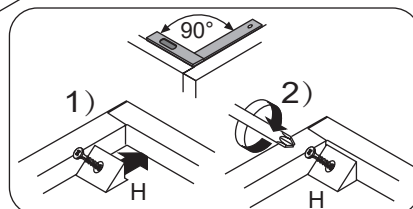
10



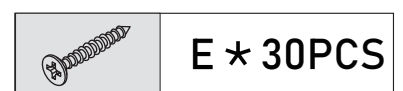
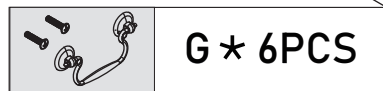
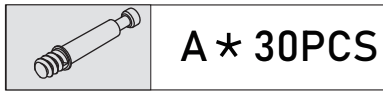
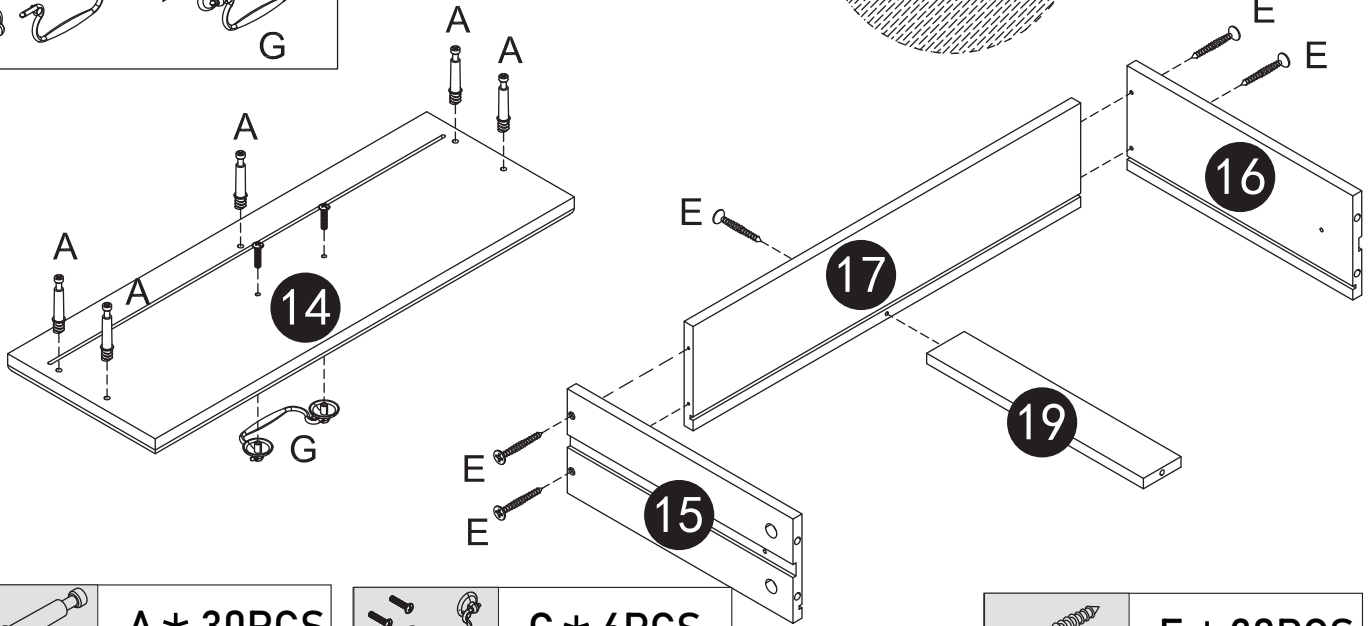
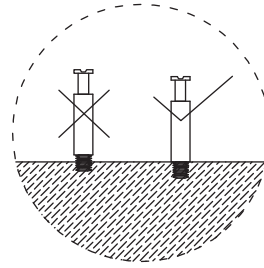
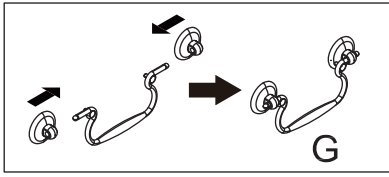
11



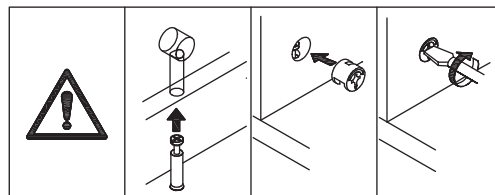
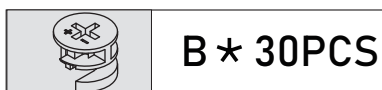
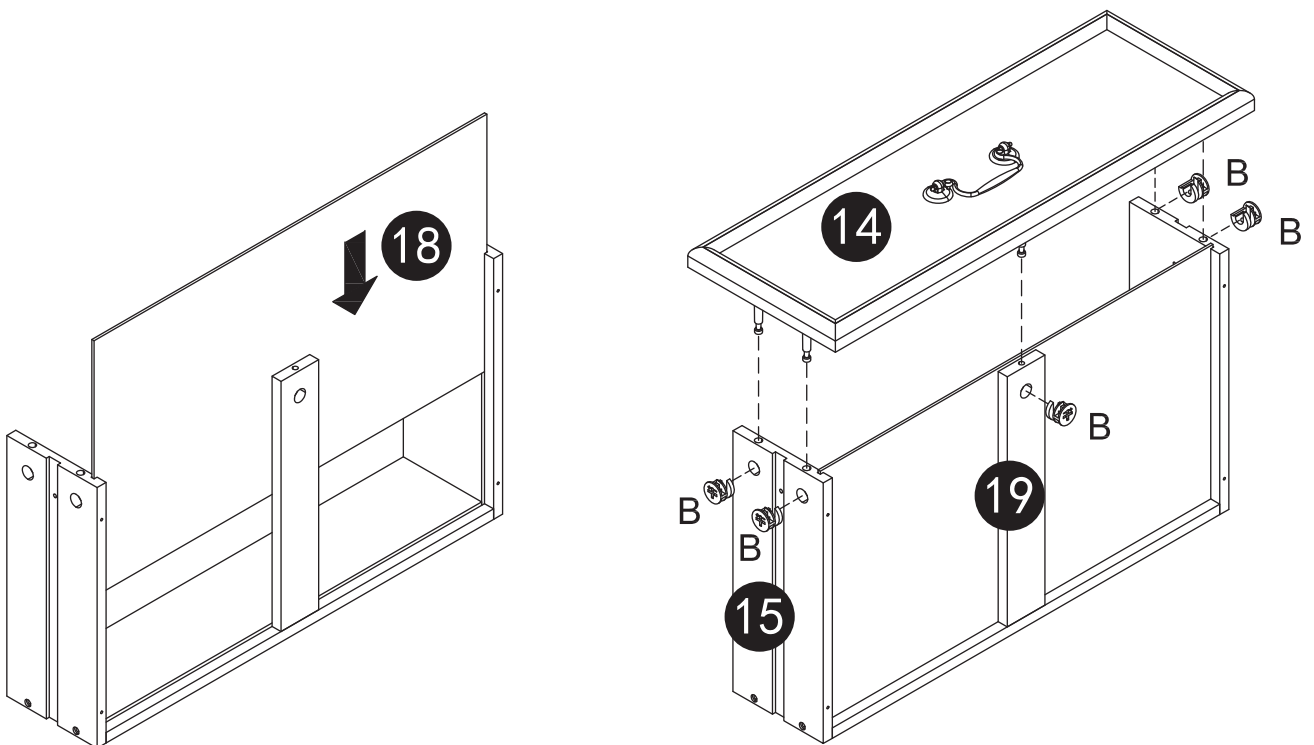
	H * 12PCS
	M * 2PCS
	N * 2PCS
	O * 2PCS



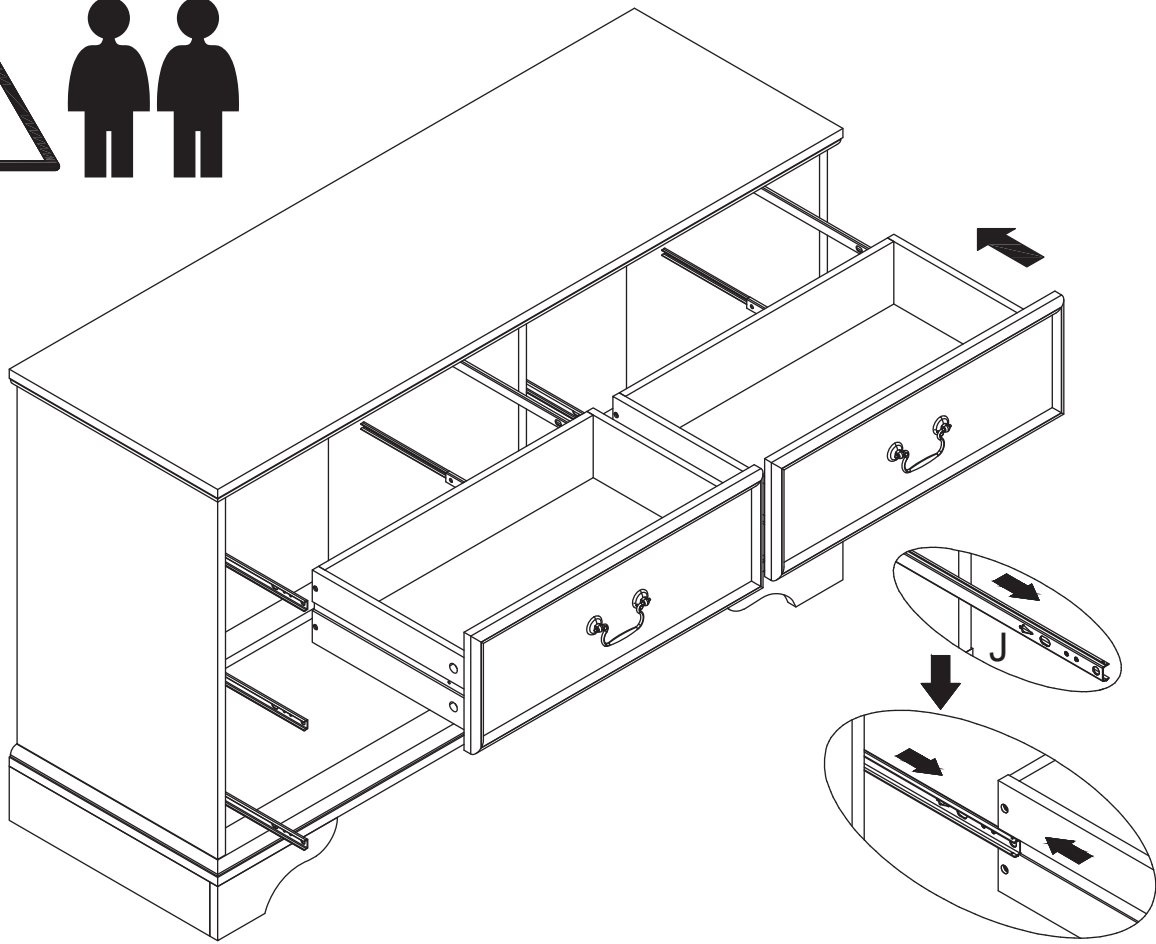
12 x6



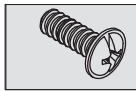
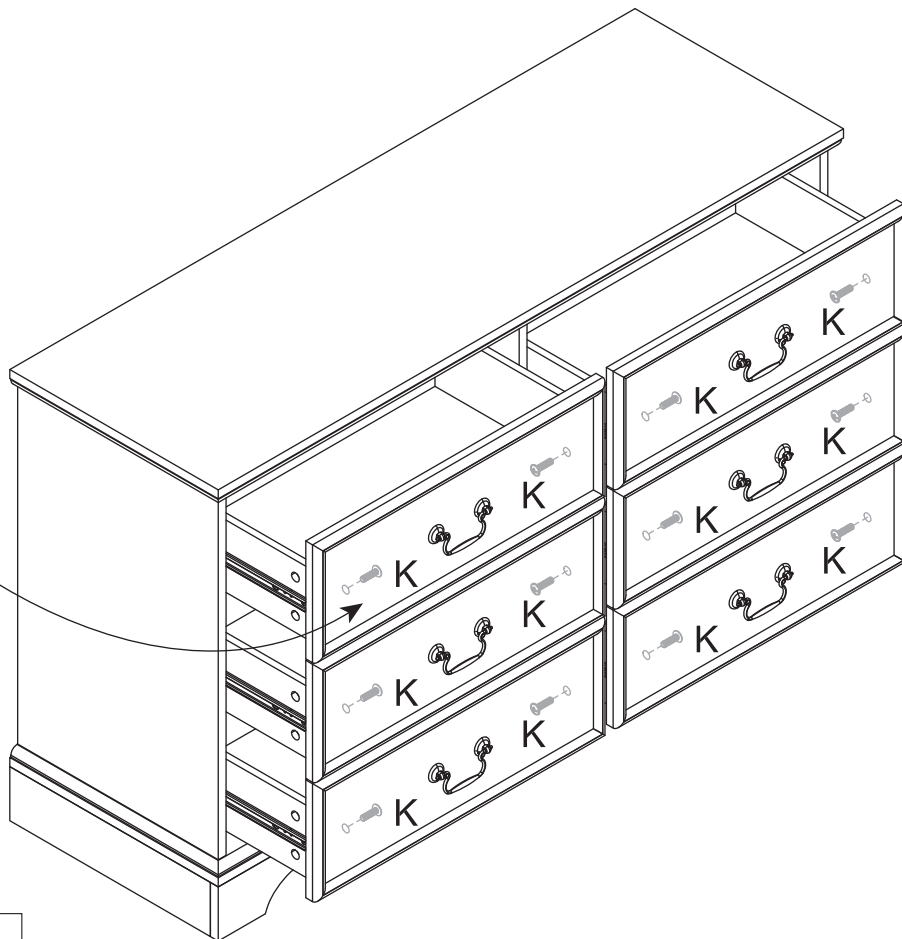
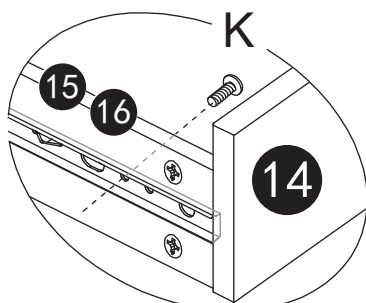
13 x6



14

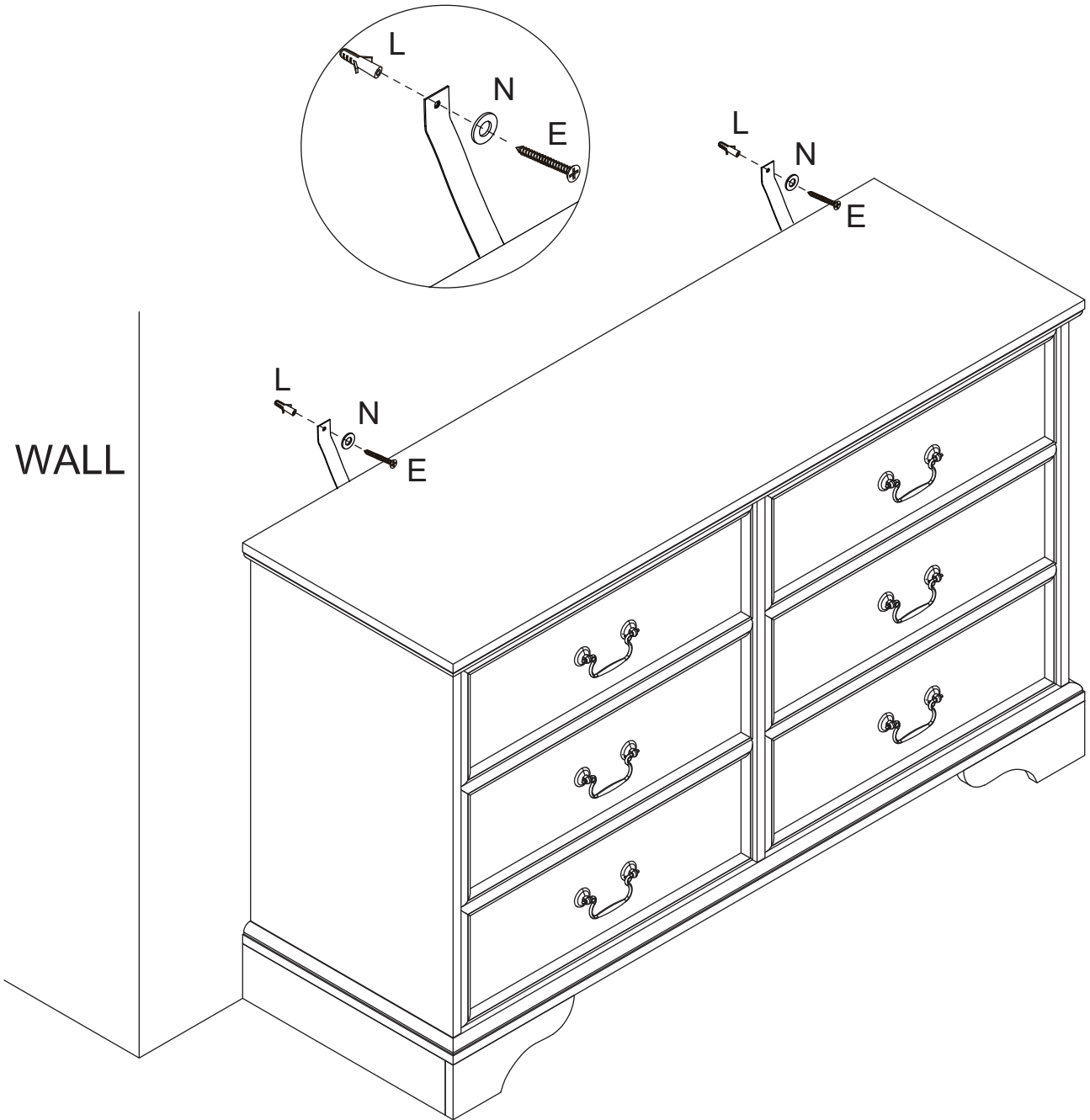


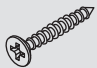


15



K * 12PCS

WALL



	E * 2PCS
	N * 2PCS
	L * 2PCS

After Sales Service

If any problem occurs, you can check the manual for troubleshooting in detail, or contact to our customer service on Amazon.

To contact authorized Amazon seller, please following steps:

Step1	Go to Your Orders. Find your order in the list.
Step2	Click "Ask a question". (Or go to the product detail page, select the name of the seller. On the next page, select "Ask a Question").
Step3	Select the product and tap "Other" options in the Seller Messaging Assistant chat.
Step4	Send the message to us for after-sales support.

We always work hard to serve you and provide you a better customer experience. Customer service:

HELP CENTER

NEED HELP? Email Our Customer Service At:

 **CONTACT INFO:** Wolfthontech1@gmail.com

Please attach follow purchase info in the message:

Order ID: _____

Model: _____

Purchase Date: _____

Buyer Name: _____

Please feel free to send us the text or email, We will reply to you within 24 hours. Also please feel free to contact us if you have received the defective items.