







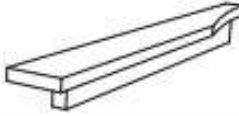
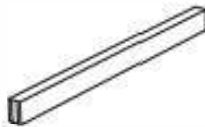

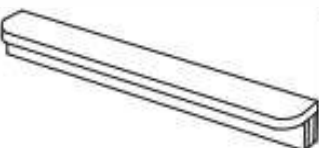














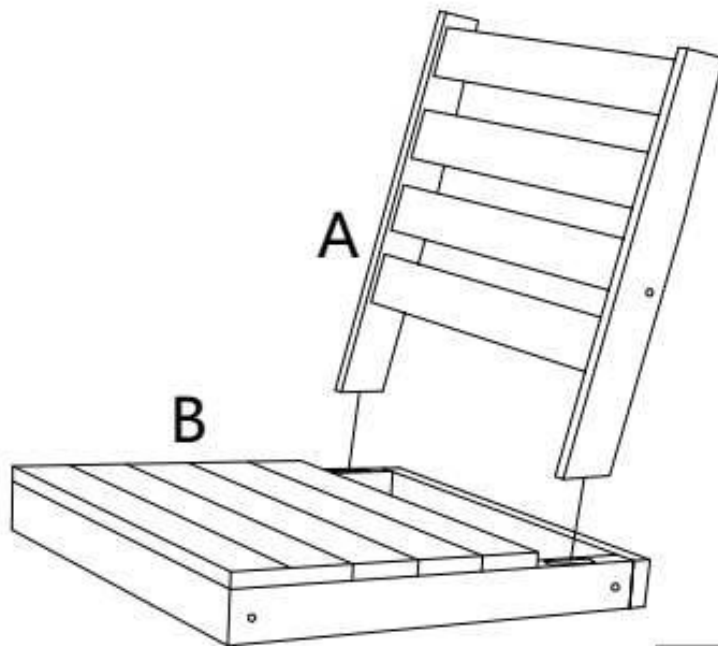
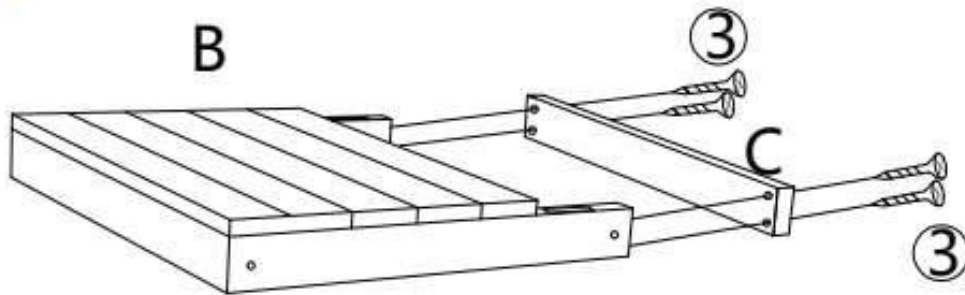
# INSTRUCTION MANUAL

# PARTS

A (1pc) 	B (1pc) 	C (1pc) 	D (1pc) 
E (1pc) 	F (1pc) 	G (1pc) 	H (1pc) 
I (1pc) 	J (2pcs) 	K (2pcs) 	L (2pcs) 
M (1pc) 	① (4pcs)  6X70MM	② (20pcs)  6X60MM	③ (4pcs)  5X50MM
④ (4pcs) 	⑤ (4pcs) 	TOOL  10mm   	

# PRODUCT ASSEMBLY

1



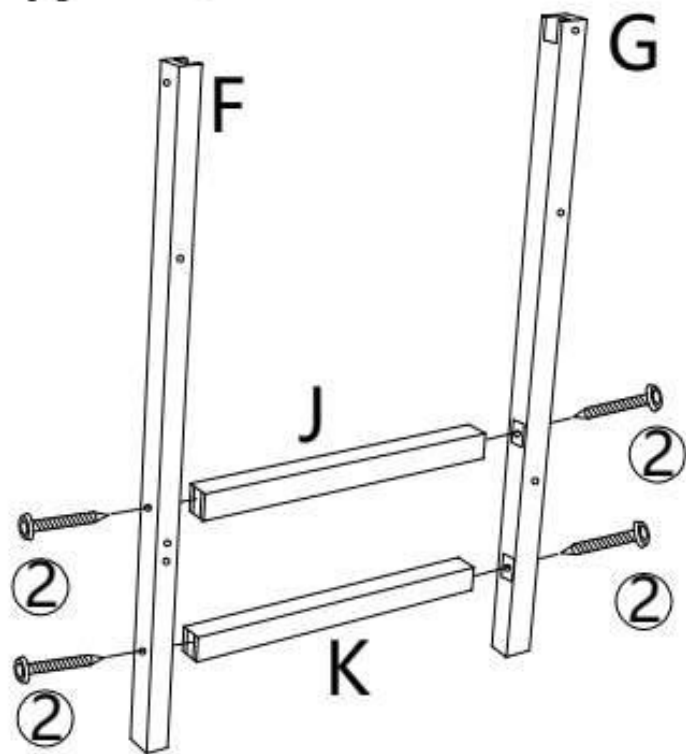
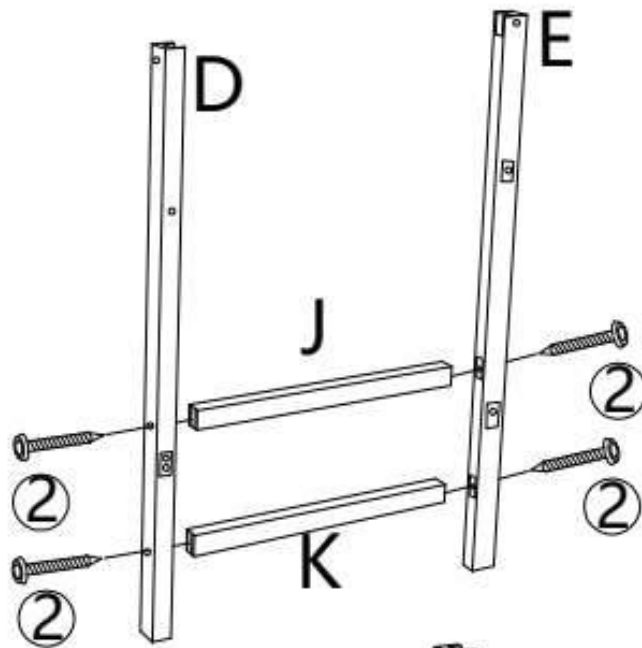
- A = 1PC
- B = 1PC
- C = 1PC
- ③ = 4PCS



Please do not over-tighten bolts and screws during assembly

# PRODUCT ASSEMBLY

2

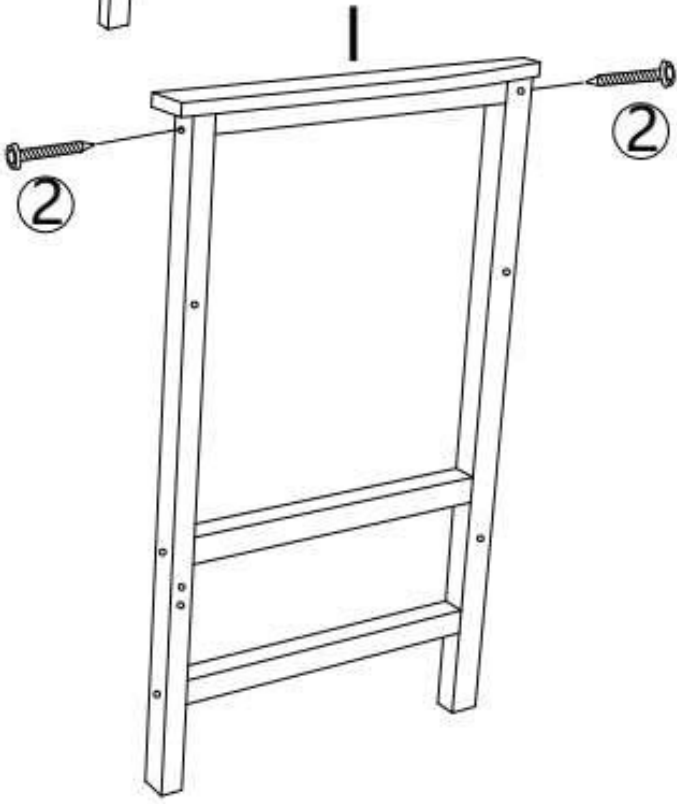
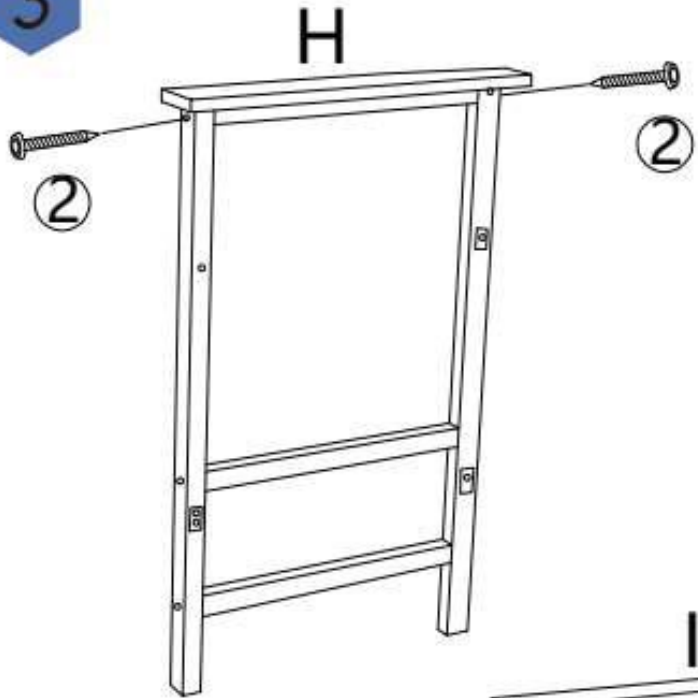


- D = 1PC
- E = 1PC
- F = 1PC
- G = 1PC
- J = 2PCS
- K = 2PCS
- ② = 8PCS

Please do not over-tighten bolts and screws during assembly

# PRODUCT ASSEMBLY

3

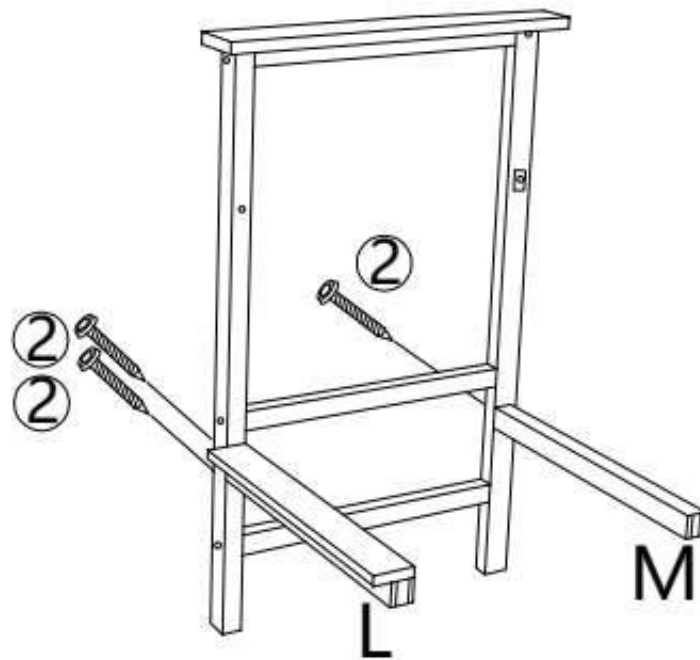


- H = 1PC
- I = 1PC
- ② = 4PCS

Please do not over-tighten bolts and screws during assembly

# PRODUCT ASSEMBLY

4

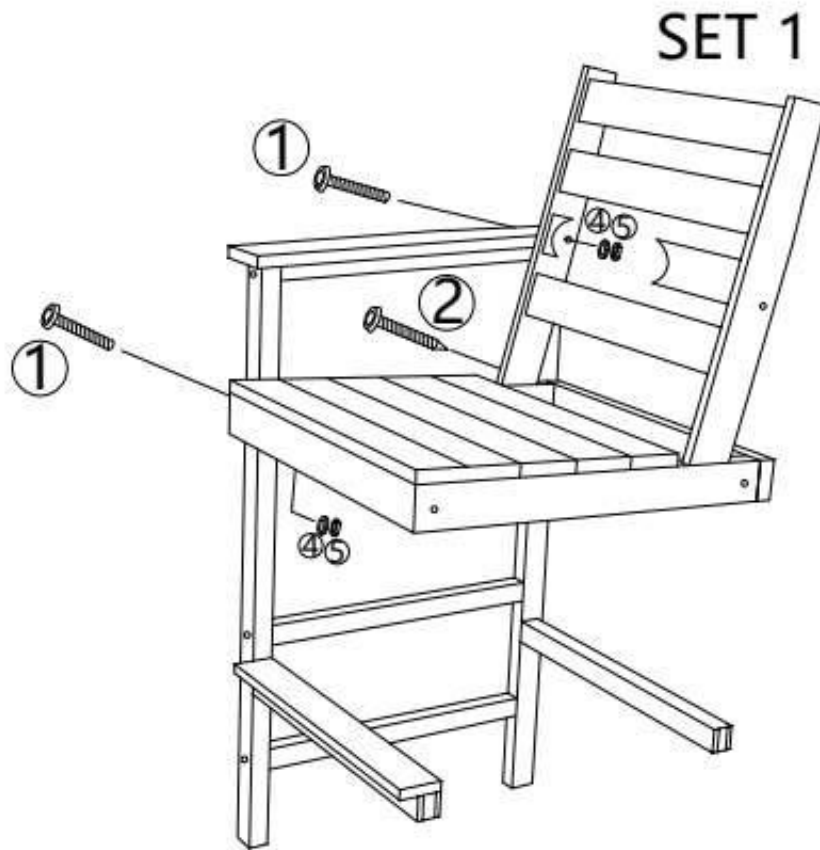


L = 1PC  
M = 1PC  
② = 3PCS

Please do not over-tighten bolts and screws during assembly

# PRODUCT ASSEMBLY

5

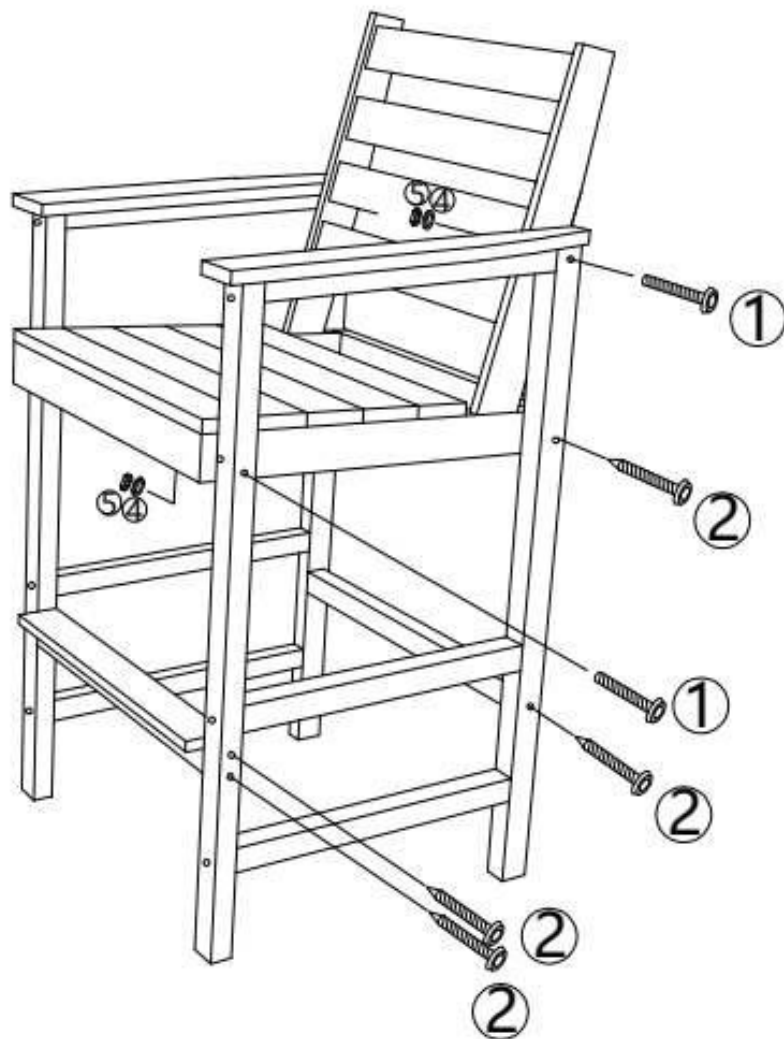


- ① = 2PCS
  - ② = 1PC
  - ④ = 2PCS
  - ⑤ = 2PCS
- SET 1

Please do not over-tighten bolts and screws during assembly

# PRODUCT ASSEMBLY

6



- ① = 2PCS
- ② = 4PCS
- ④ = 2PCS
- ⑤ = 2PCS

Please do not over-tighten bolts and screws during assembly

# WARRANTY



## 1-YEAR Warranty Program

---

- 1 For a period of one (1) years after date of purchase, the Manufacturer will either repair or replace defective components in accordance with this Limited Warranty. This warranty is between the Manufacturer and the original purchaser and is valid only when accompanied by the original purchaser's sales receipt showing original date of purchase and location of purchase. Replacements under this warranty revert back to the date of original purchase for future warranty.
- 2 The manufacturer or its authorized dealer can accept or reject warranty claims based on its findings. This warranty applies in normal residential use only and is not intended for commercial use. The Manufacturer can make substitutions as required of materials, components, and sub-components of comparable value and utility. This warranty is limited to product repair or replacement (to be determined solely by the Manufacturer). Warranty return is limited to only the single affected component.
- 3 This limited warranty covers only manufacturing defects and does not cover normal wear and tear, damage due to acts of nature (such as, but not limited to freezing or high winds), abuse or misuse, including chemical damage from suntan oil or other chemicals, exposure to extreme heat or cold, abrasion or excessive weight. This product is intended to be used in standard installations only. This warranty is void if the product is not used for its intended purpose. The Manufacturer disclaims liability for any aspect of installation and any inconvenience caused by a defective part of a component.