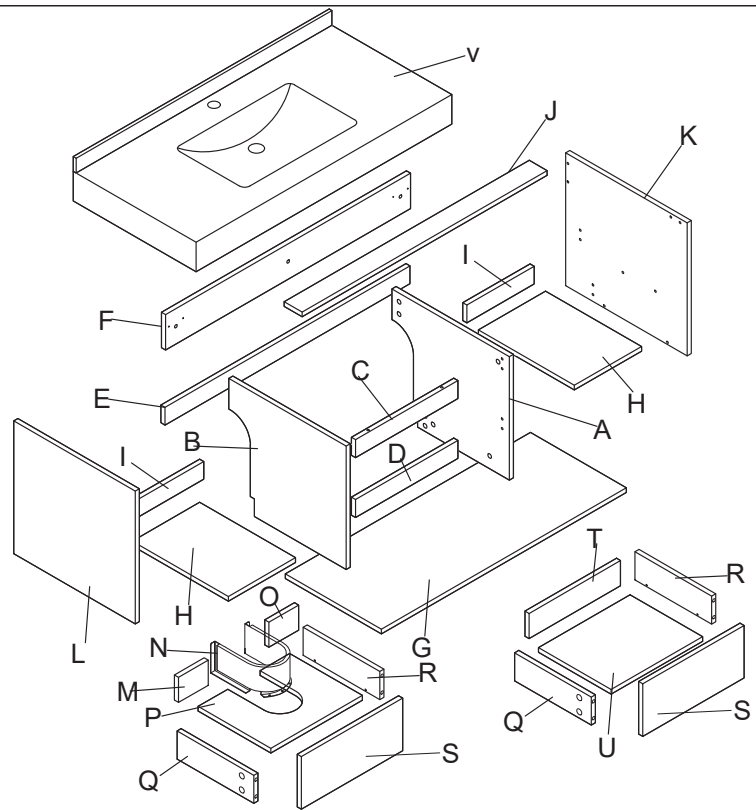
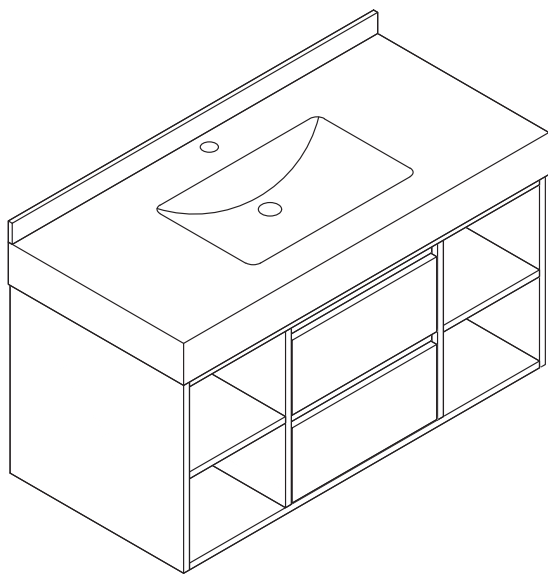



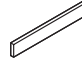
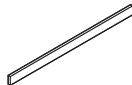





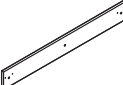

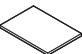
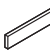
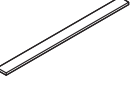


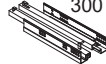


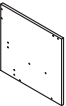
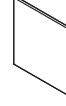







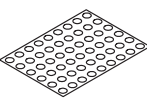

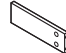
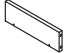
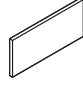
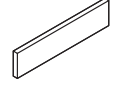

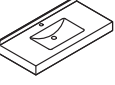


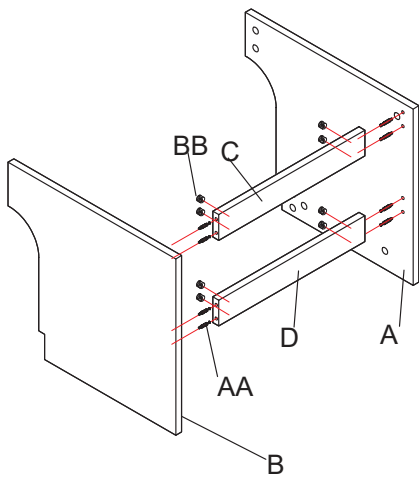
# Installation & Assembly



Ax1 	Bx1 	Cx1 	Dx1 	Ex1 	AAx97 	BBx97 	CCx49 	DDx2 	EEEx2 
Fx1 	Gx1 	Hx2 	Ix2 	Jx1 	FFx1 	GGx1 	HHx2 	IIx3 	JJx3 
Kx1 	Lx1 	Mx1 	Nx1 	Ox1 	KKx3 	LLx3 	MMx2 	NNx4 	OOx1 
Px1 	Qx2 	Rx2 	Sx2 	Tx1 					
Ux1 	Vx1 								

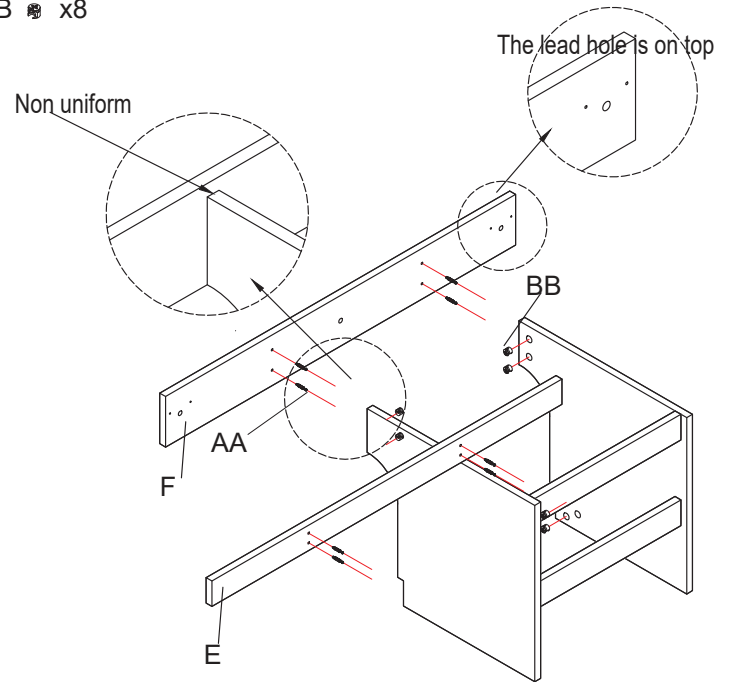
AA  x8

BB  x8



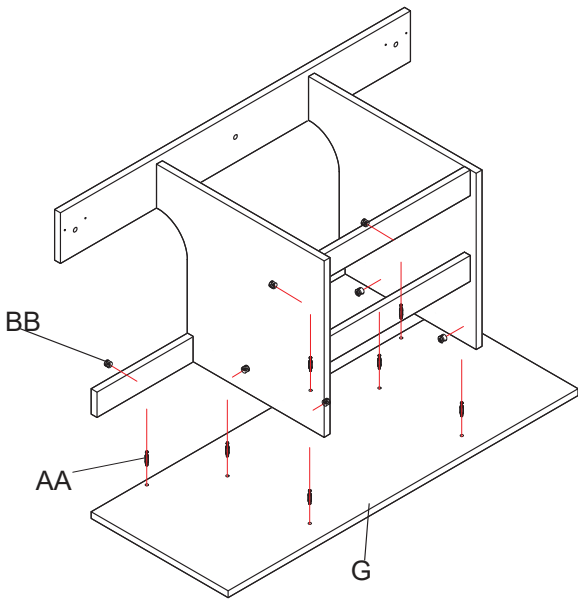
AA  x8

BB  x8



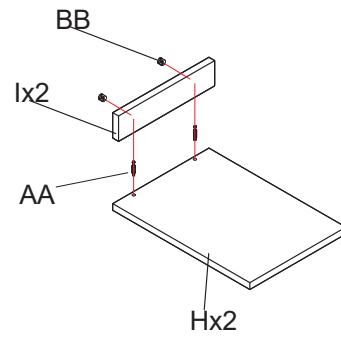
AA  x7

BB  x7



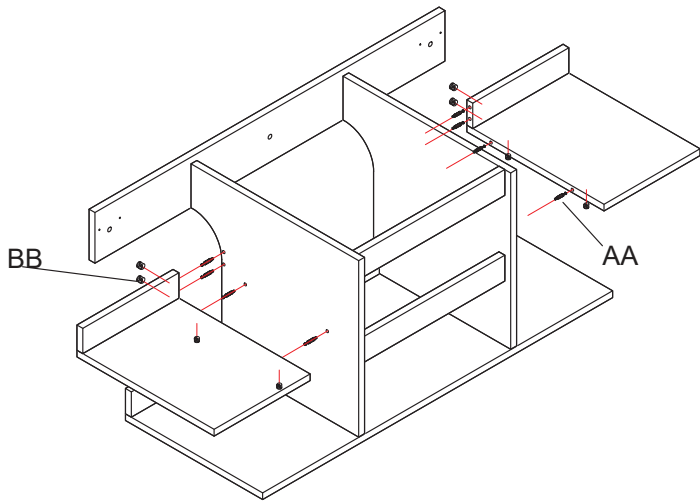
AA  x4

BB  x4



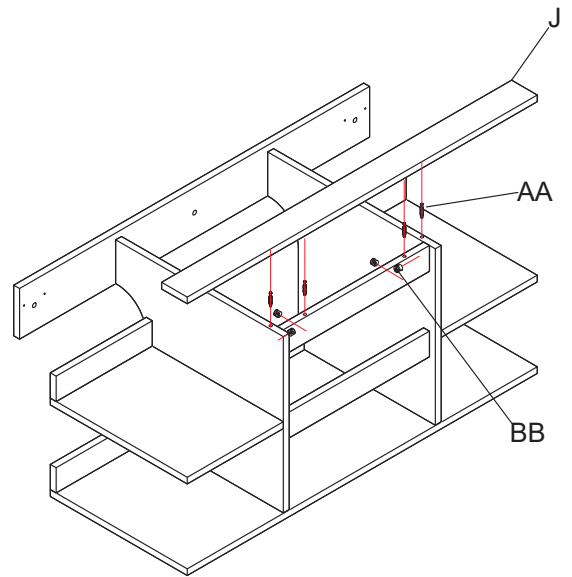
AA  x8

BB  x8



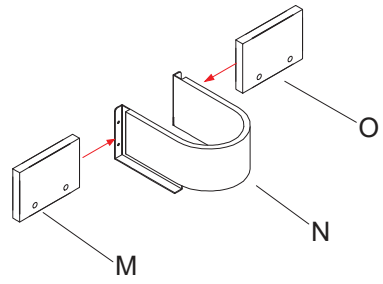
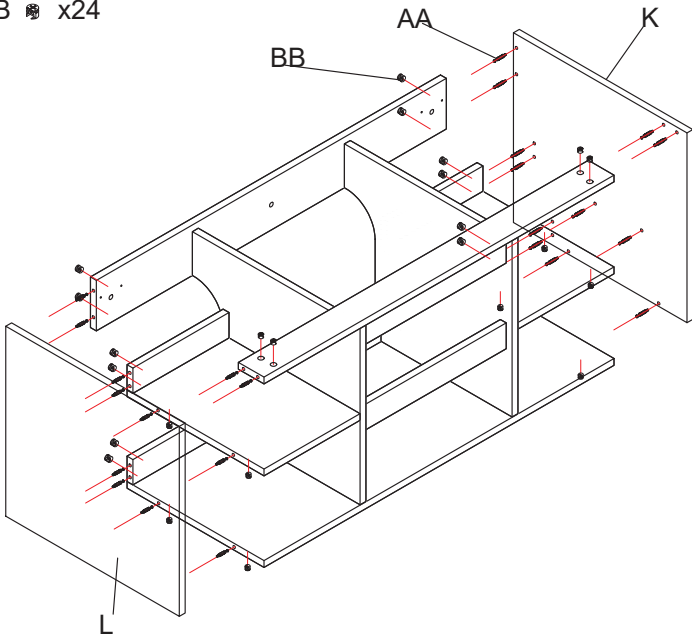
AA  x4




BB  x4

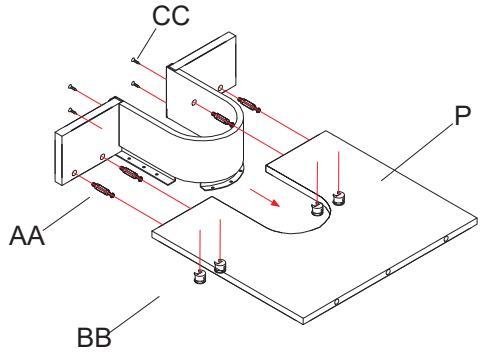





AA  x24

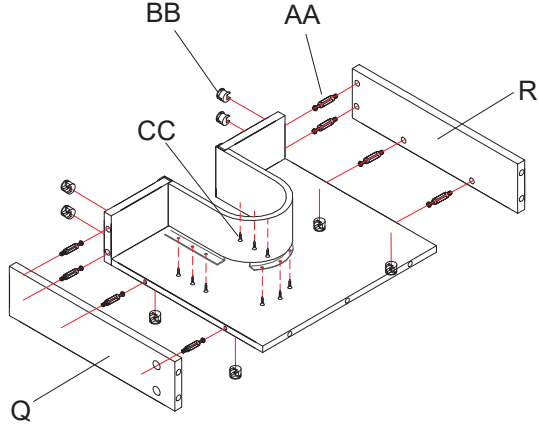
BB  x24





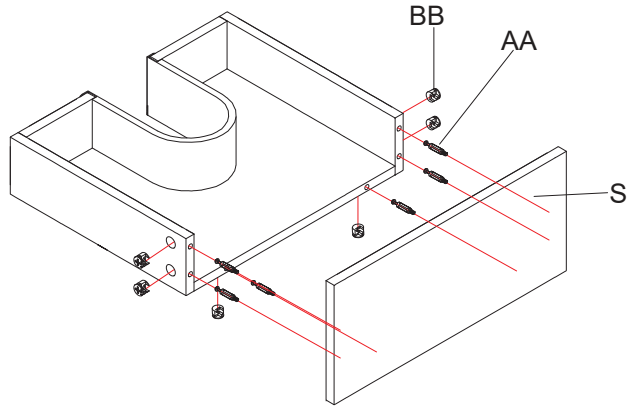
- AA  x4
- BB  x4
- CC  x4





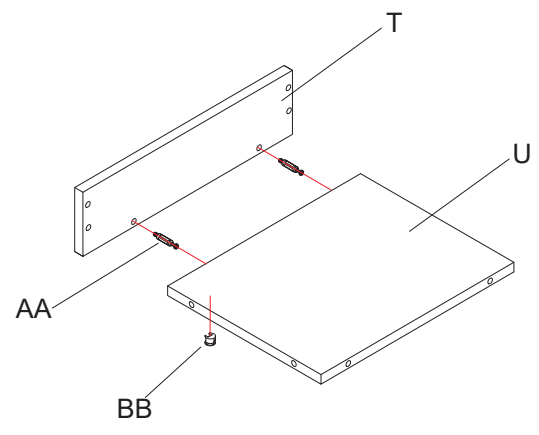
- AA  x8
- BB  x8
- CC  x9



AA  x6  
BB  x6

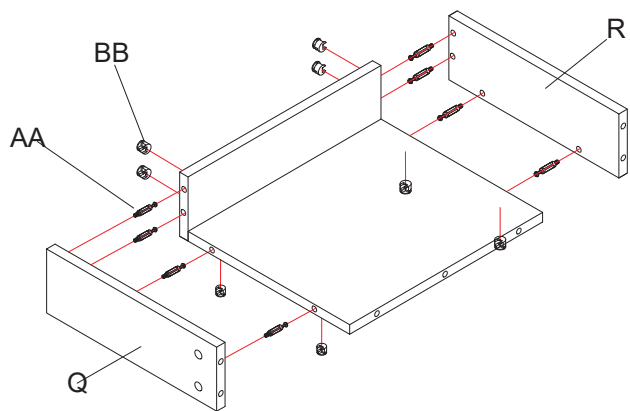


AA  x2  
BB  x2



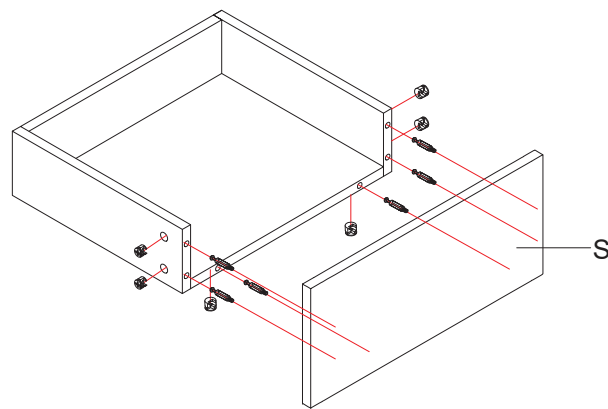
AA  x8

BB  x8



AA  x6

BB  x6

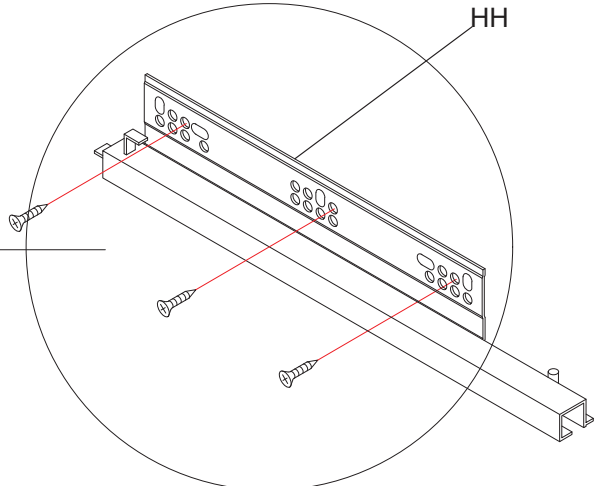
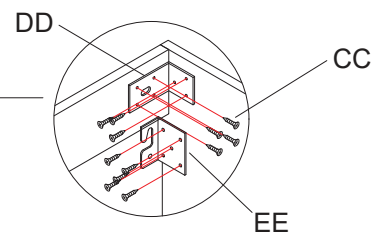
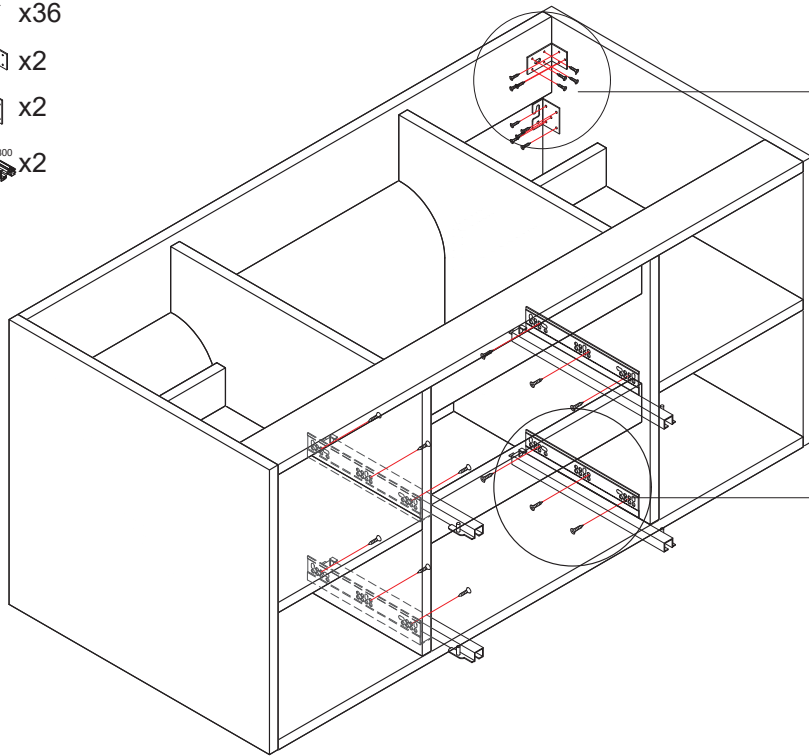


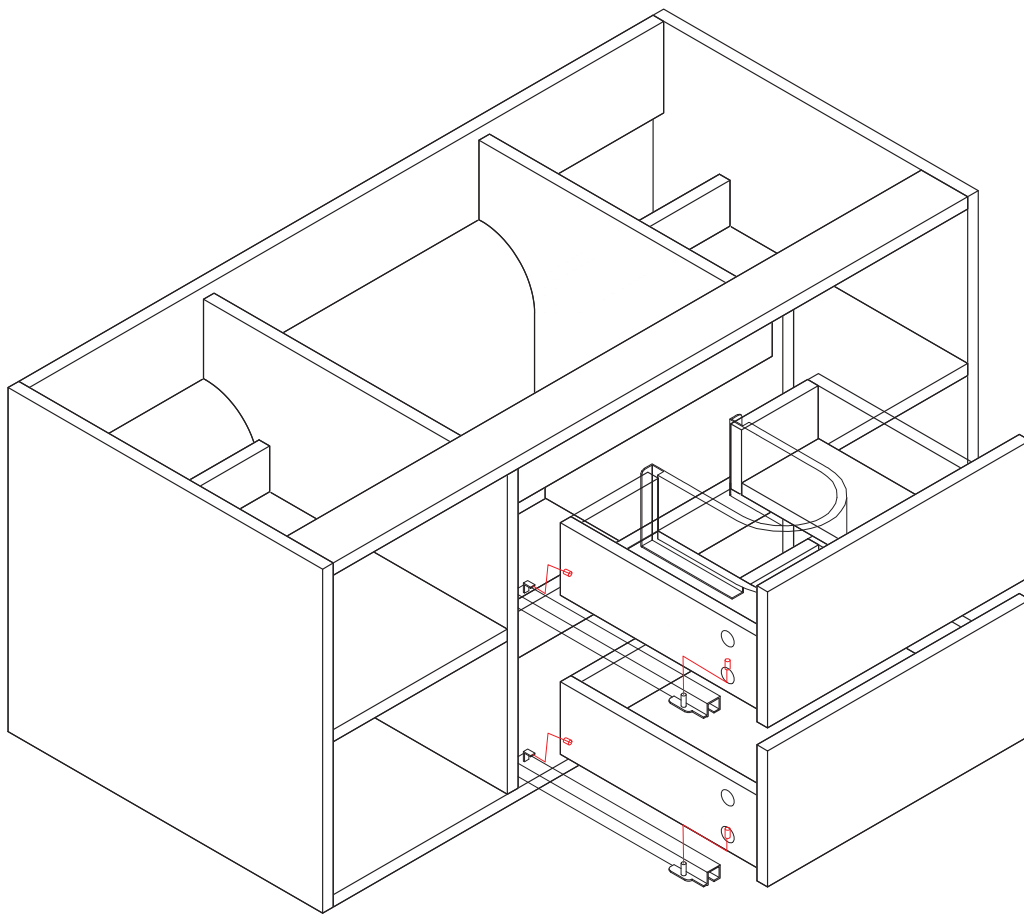
CC  x36

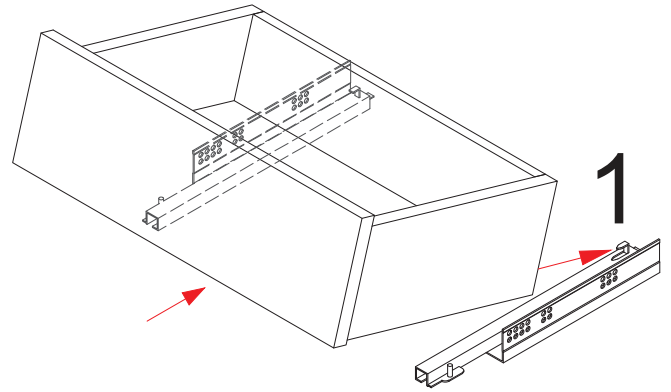
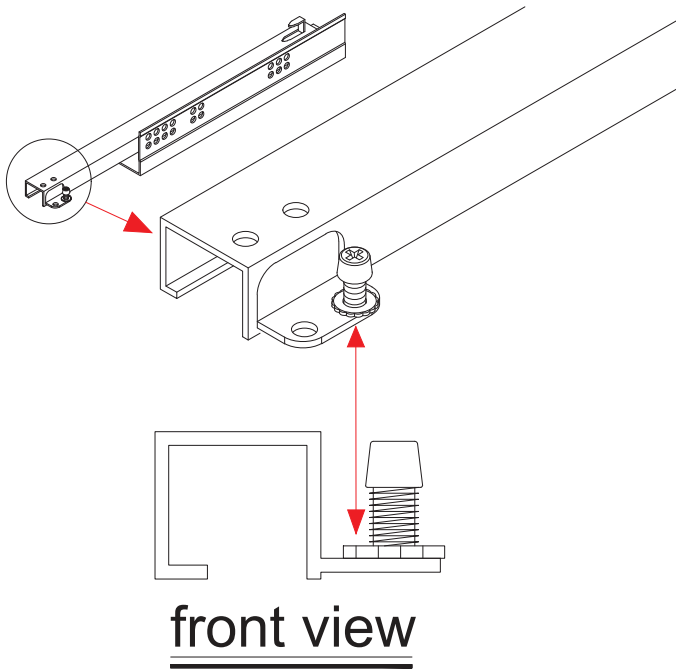
DD  x2

EE  x2

HH  x2

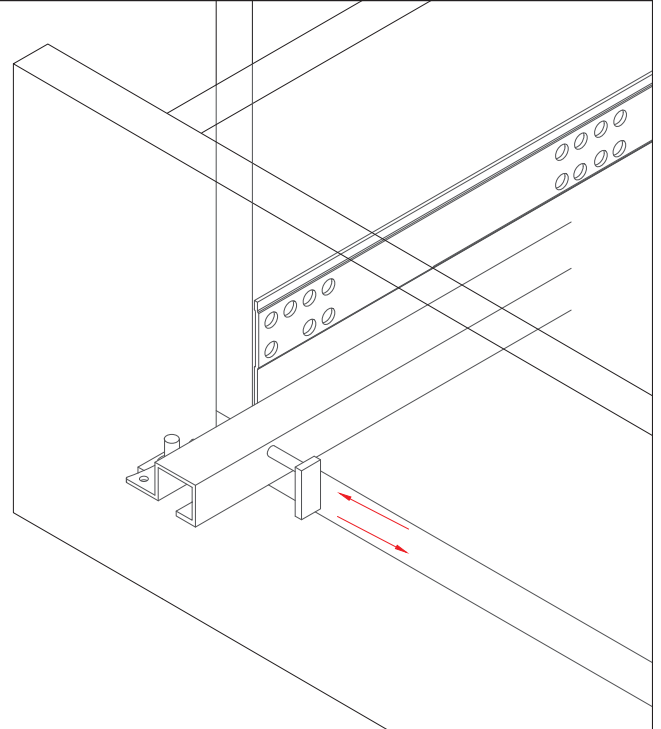
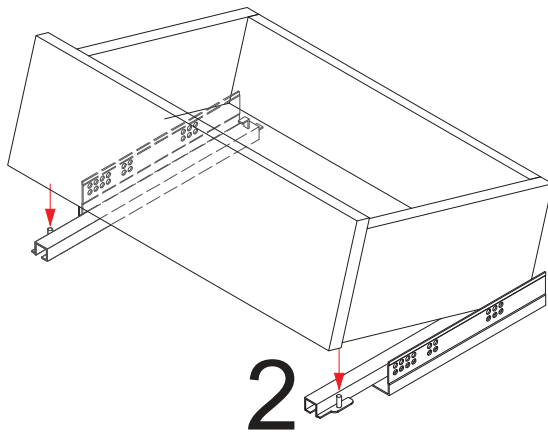











1. Check that the nut is screwed to the bottom.

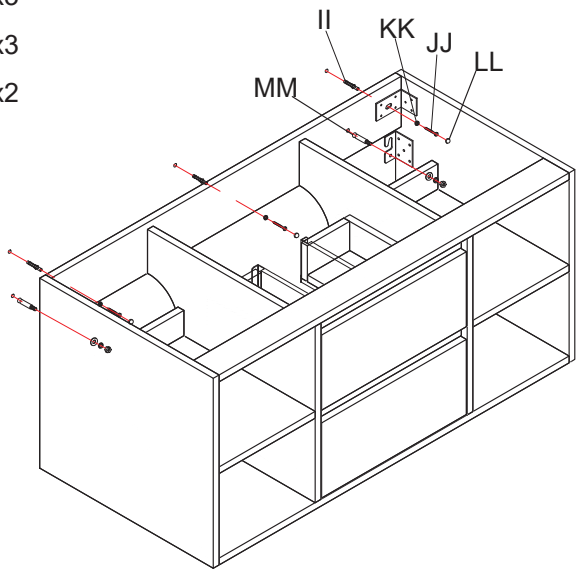
2. Tilt the drawer down, and slide the drawer inside along the rails.





3. Put the drawer down naturally.

4. Push to lock  
Pull to unlock

- II  x3
- JJ  x3
- KK  x3
- LL  x3
- MM  x2



- NN  x4
- OO  x1

