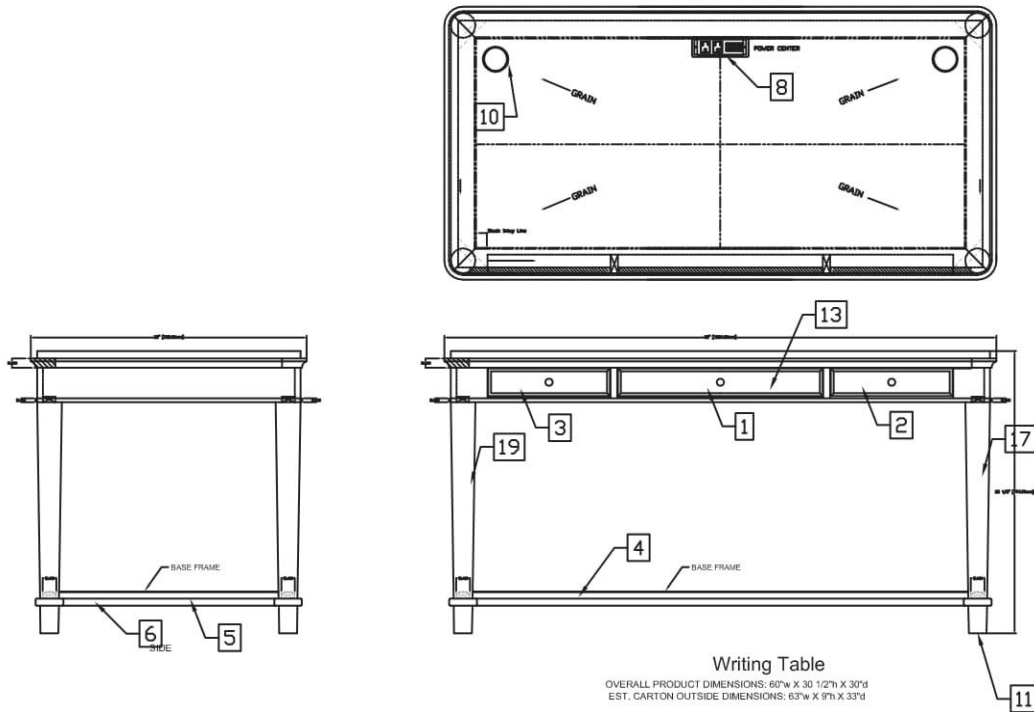


NUMBER	DESCRIPTION	# PER SKU
1	KEYBOARD DRAWER	1
2	RIGHT DRAWER	1
3	LEFT DRAWER	1
4	BACK SPANNER	1
5	RIGHT SPANNER	1
6	LEFT SPANNER	1
7	18" TELESCOPE SLIDE	3 SETS
8	POWER CENTER	1
9	KNOB	1
10	PLASTIC GROMMET	2
11	TACK GLIDE	4
12	CARTON	1
13	FOLD DOWN HINGE	2
14	KEYBOARD LATCH	2
15	ASSEMBLY INSTRUCTIONS	1
16	HARDWARE PACK	1
17	FRONT RIGHT LEG	1
18	BACK RIGHT LEG	1
19	FRONT LEFT LEG	1
20	BACK LEFT LEG	1



Writing Table  
 OVERALL PRODUCT DIMENSIONS: 63" w X 30 1/2" h X 33" d  
 EST. CARTON OUTSIDE DIMENSIONS: 63" w X 9" h X 33" d

12

CARTON D. D.:  
63" w X 9" h X 33" d

CARTON VOLUME:  
10.4 CU. FT

GROSS WEIGHT: 110 LBS

15  
INSTRUCTION SHEET

16  
HARDWARE PKG.