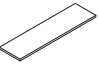

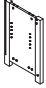






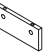
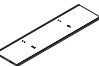
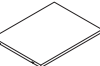
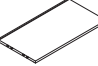
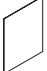
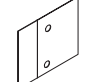

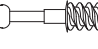




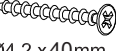






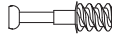

Hardware List

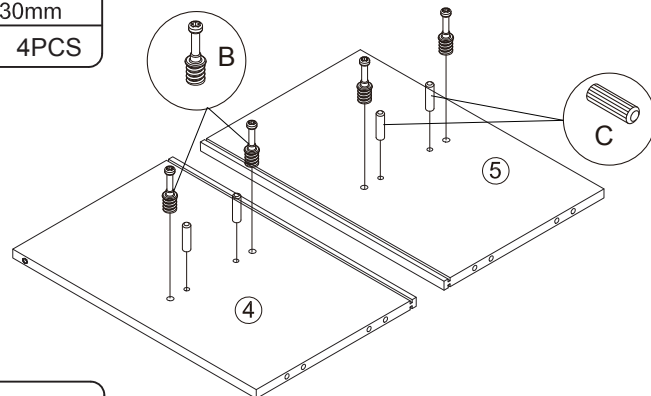
			
① 1PC	② 1PC	③ 1PC	④ 1PC
			
⑤ 1PC	⑥ 1PC	⑦ 1PC	⑧ 1PC
			
⑨ 1PC	⑩ 1PC	⑪ 1PC	⑫ 2PCS
			
⑬ 1PC	⑭ 2PCS	⑮ 1PC	Ø15 × 10mm A 28PCS
			
Ø6 × 36 mm B 28PCS	Ø8 × 30mm C 22PCS	Ø4.2 × 13mm D 14PCS	E 4PCS
			
M4 × 22mm F 4PCS	Ø4.2 × 40mm G 4PCS	H 8PCS	I 4PCS
			
J 2PCS	K 1PC		

PRODUCT ASSEMBLY


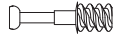
! Check the package contents before getting started !

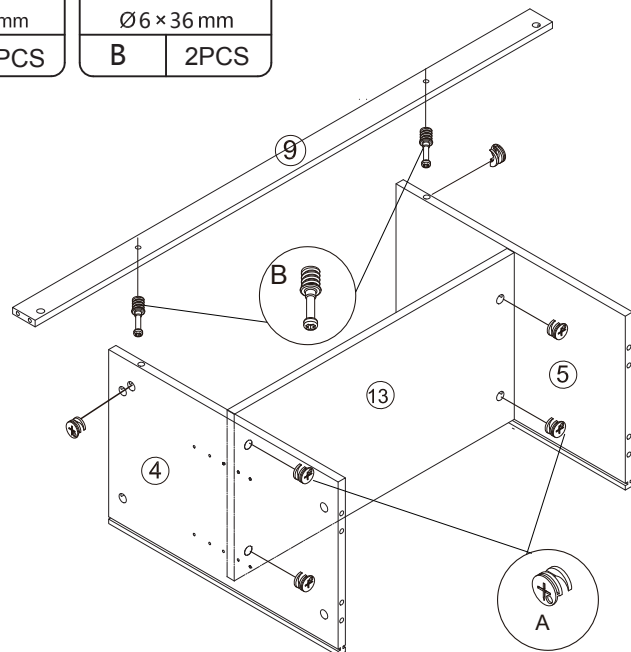
STEP 1

	
Ø6 × 36 mm	Ø8 × 30 mm
B 4PCS	C 4PCS




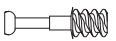

STEP 2

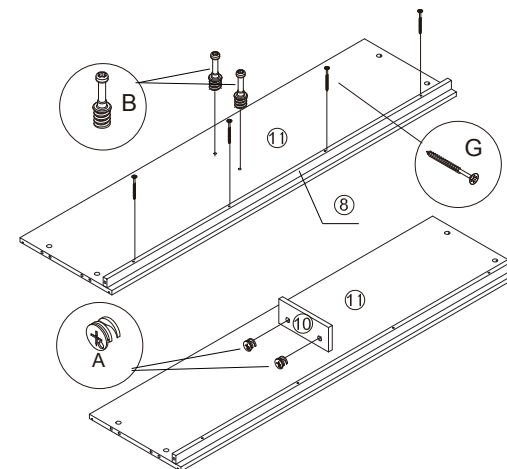
	
Ø15 × 10 mm	Ø6 × 36 mm
A 6PCS	B 2PCS



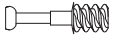

PRODUCT ASSEMBLY

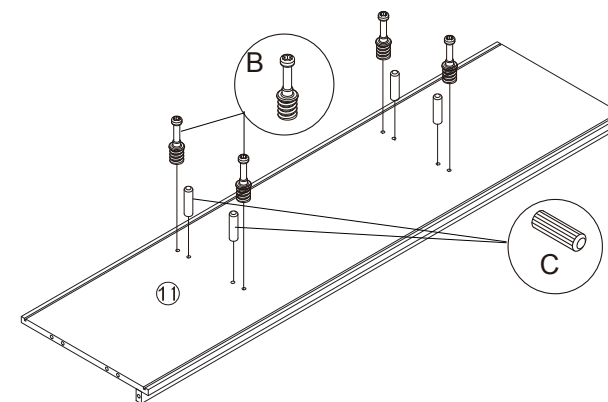
STEP 3

		
Ø15 × 10 mm	Ø6 × 36 mm	Ø4.2 × 40 mm
A 2PCS	B 2PCS	G 4PCS




STEP 4

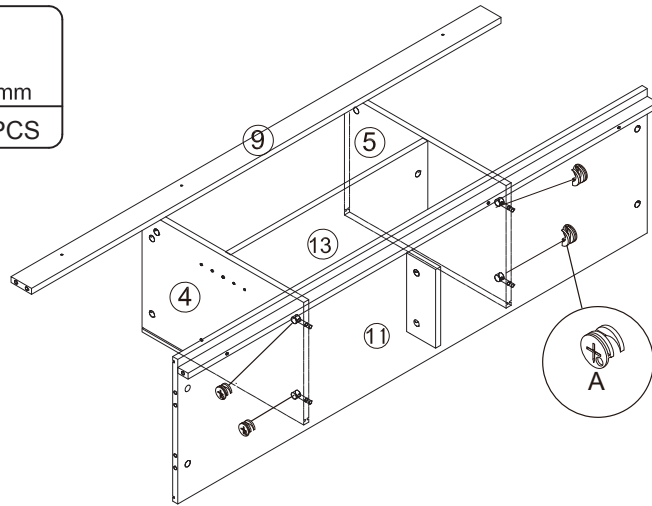
	
Ø6 × 36 mm	Ø8 × 30 mm
B 4PCS	C 4PCS



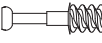
PRODUCT ASSEMBLY


STEP 5

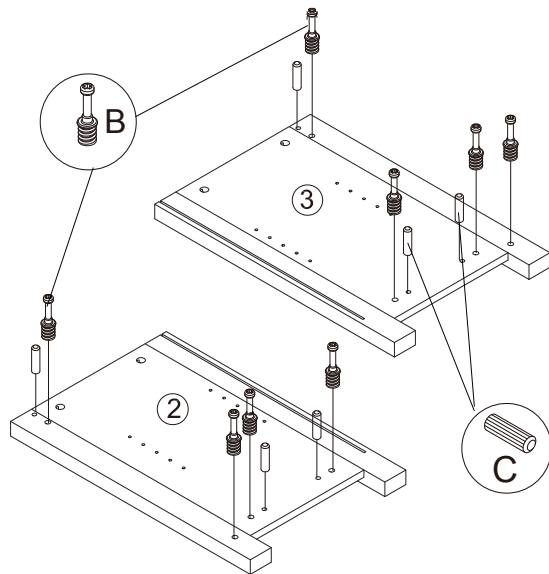
	
Ø15 × 10mm	
A	4PCS



STEP 6


	
Ø6 × 36 mm	
B	8PCS

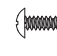
	
Ø8 × 30mm	
C	6PCS




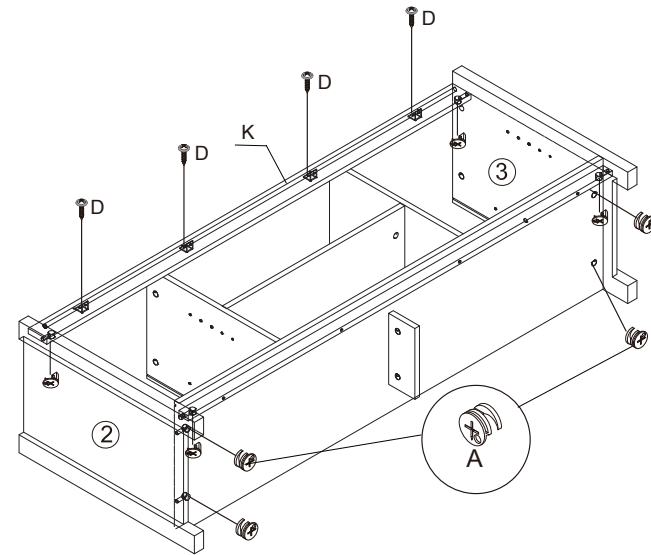
PRODUCT ASSEMBLY

STEP 7

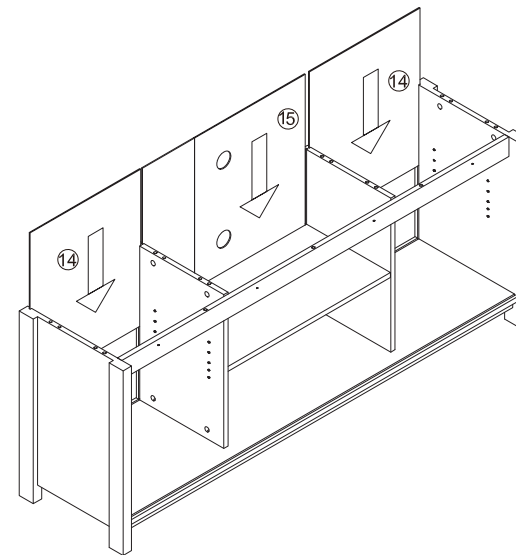
	
Ø15 × 10mm	
A	8PCS

	
Ø4.2 × 13mm	
D	4PCS

	
K	
K	1PC

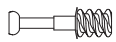



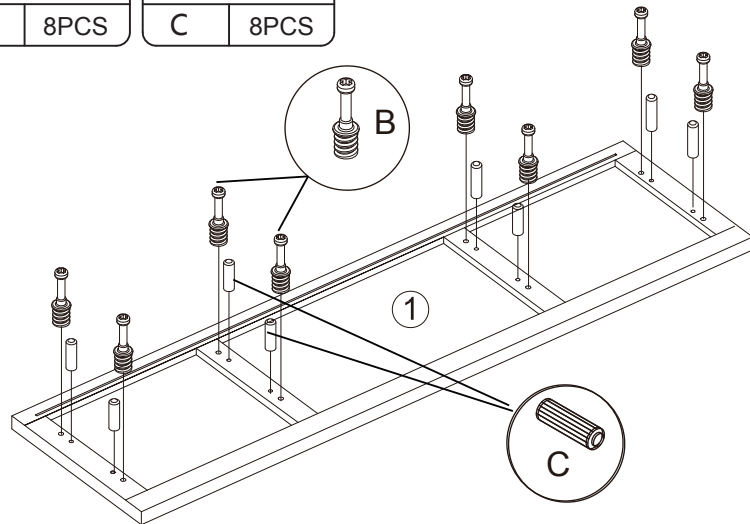
STEP 8




PRODUCT ASSEMBLY

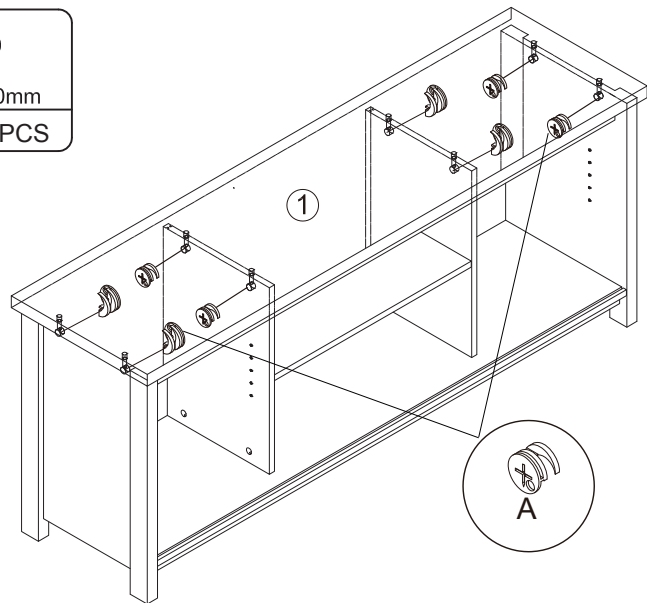
STEP 9

	
Ø6 × 36 mm	Ø8 × 30mm
B 8PCS	C 8PCS




STEP 10

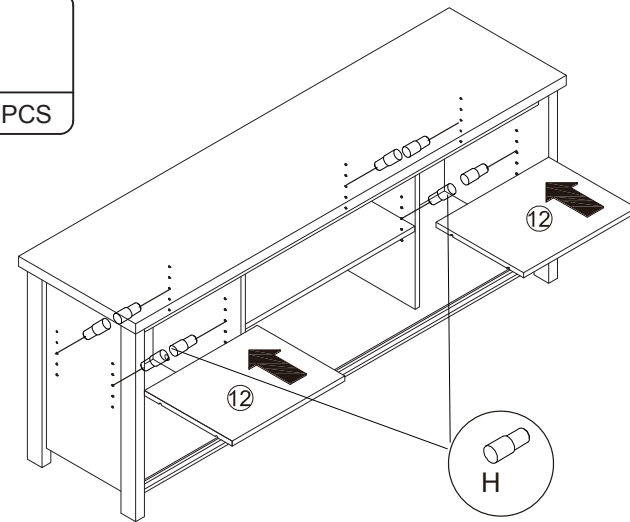

Ø15 × 10mm
A 8PCS






PRODUCT ASSEMBLY

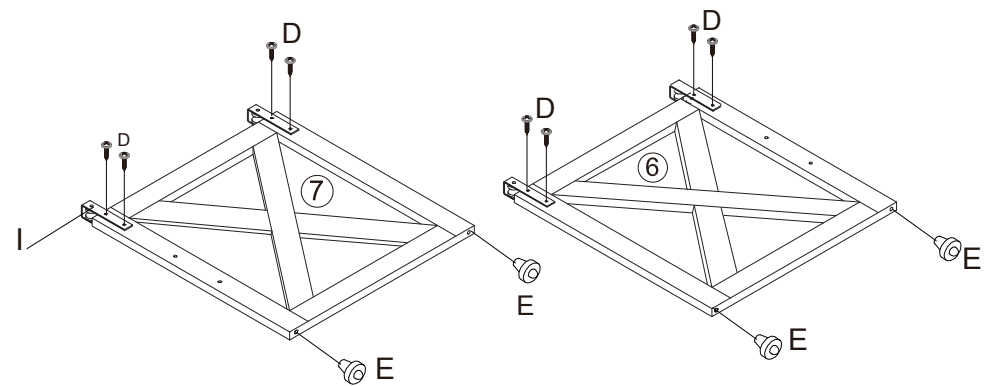
STEP 11


H 8PCS



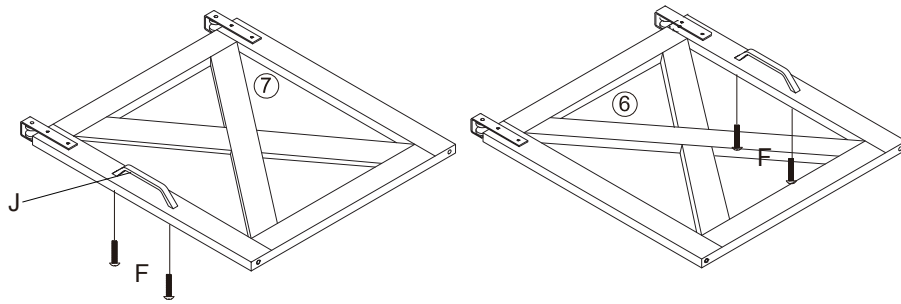
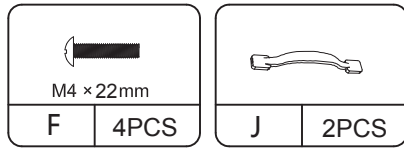
STEP 12

		
Ø4.2 × 13mm		
D 8PCS	E 4PCS	I 4PCS

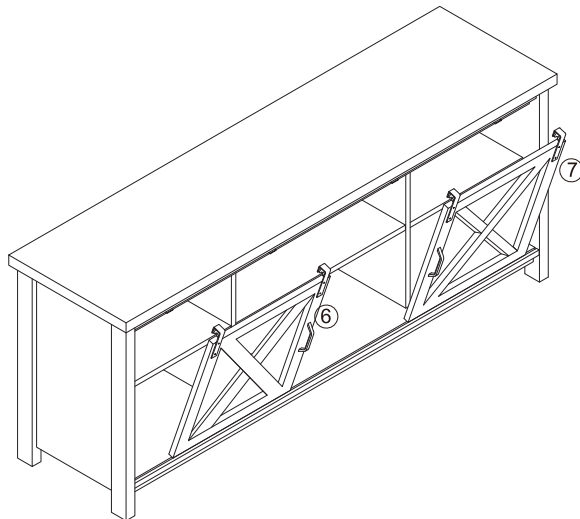


PRODUCT ASSEMBLY

STEP 13

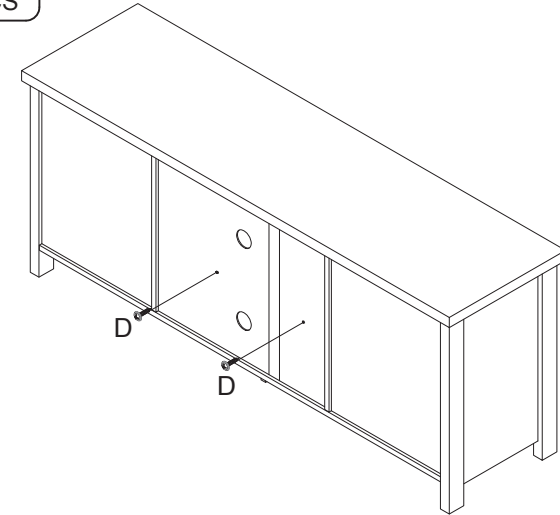
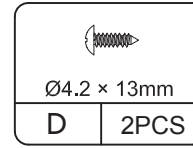


STEP 14



PRODUCT ASSEMBLY

STEP 15



STEP 16

Maximum Loads

