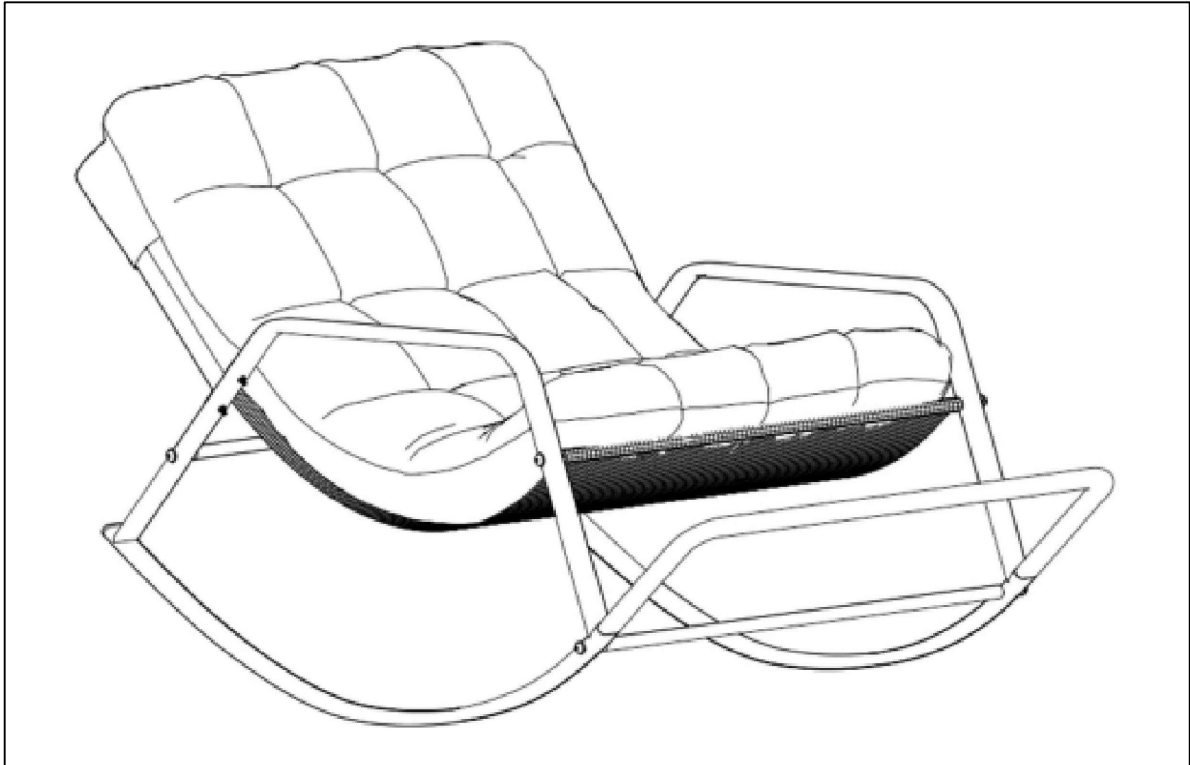


LOUNGE CHAIR



ATTENTION Section:

1. If you encounter any issues, such as missing accessories or damaged parts, please contact us immediately and include pictures.

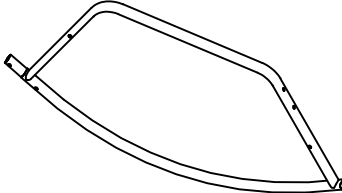
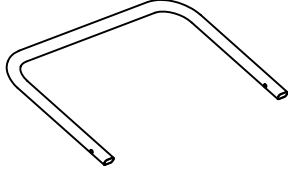
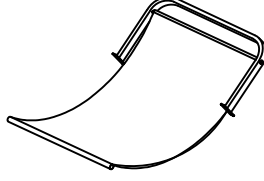
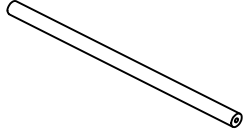



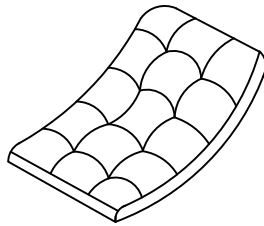



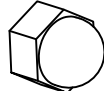
Assembly Instructions:

1. Assembly requires two people to complete.
2. For optimal assembly, we highly recommend using the provided Allen key. If using a power tool, please set it to a low speed to prevent any damage.
3. Do not fully tighten the screws until all screws are properly aligned with their holes.

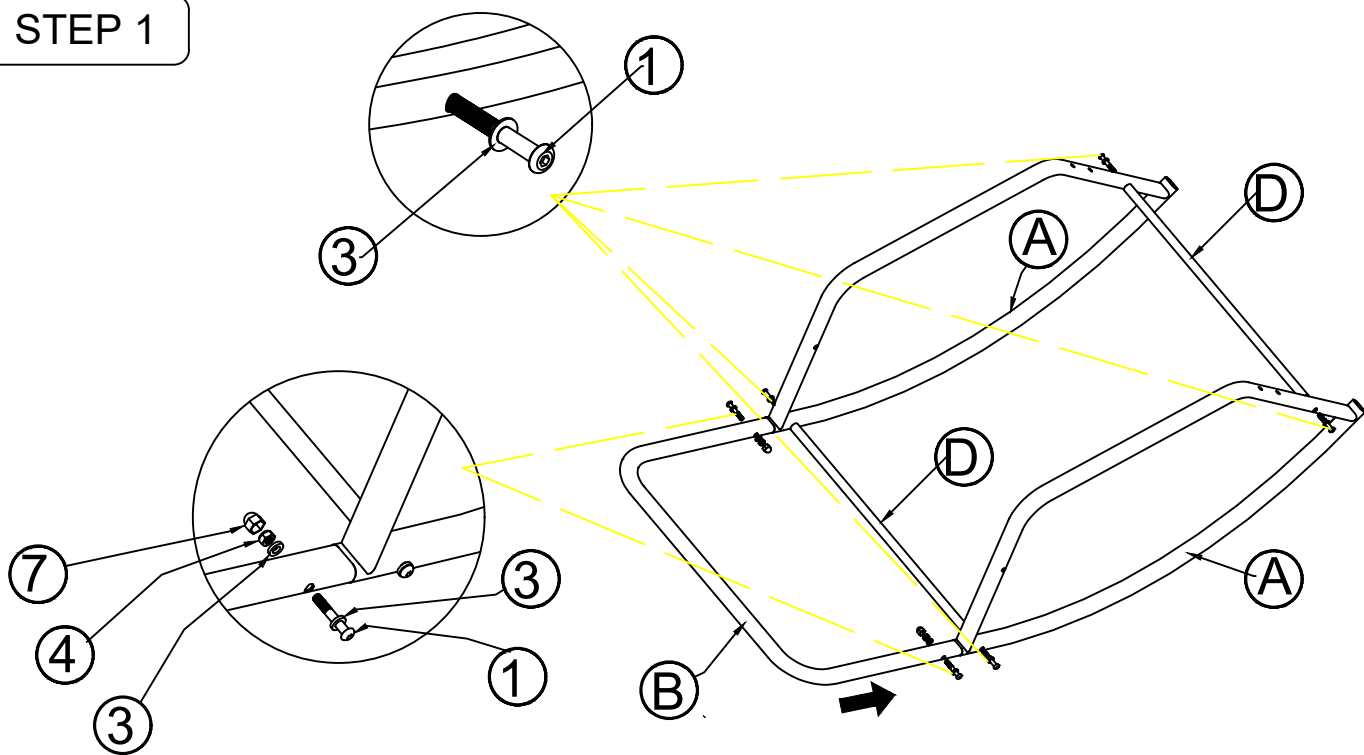
Back Cushion Notes:

1. The back cushion is vacuum-sealed. After opening the bag, allow some time and fluffing for the cushion to return to its original thickness.
2. Fluff and shake the cushion to restore its original thickness before use.

PARTS LIST OF BOX A

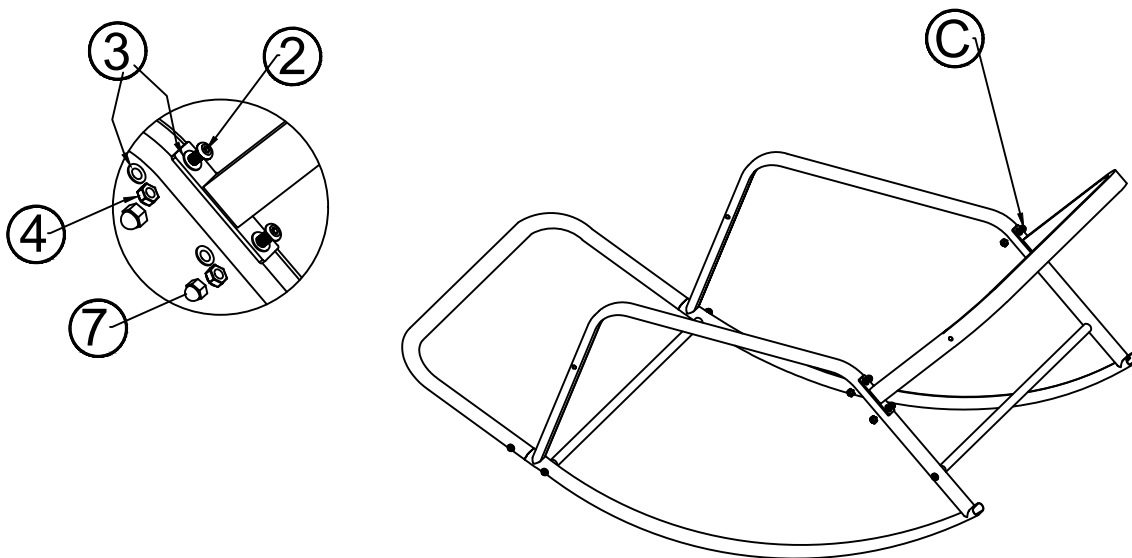
A	B	C	D
 <p>ARMREST 2pcs</p>	 <p>FOOT PEDAL 1pc</p>	 <p>TOP TUBE 1pc</p>	 <p>CROSSBAR 3pcs</p>
E	<p>1</p>  <p>M8*50 8pcs</p>	<p>2</p>  <p>M8*35 4pcs</p>	<p>3</p>  <p>M8 18pcs</p>
 <p>SEAT CUSHION 1pc</p>	<p>4</p>  <p>M8 6pcs</p>	<p>5</p>  <p>M8 1pc</p>	<p>6</p>  <p>M8 1pc</p>
			<p>7</p>  <p>M8 6pcs</p>

STEP 1



A*2pcs	B*1pc	D*2pcs	1*6pcs	3*8pcs	5*1pc	4*2pcs	7*2pc

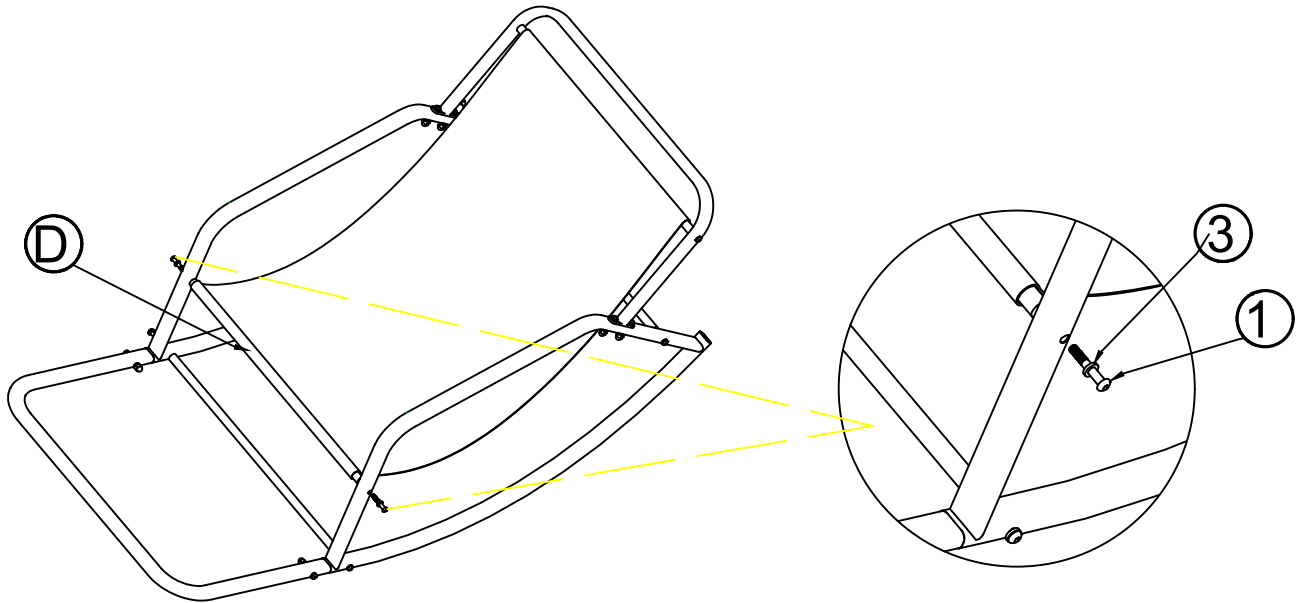
STEP 2



C*1pc	2*4pcs	3*8pcs	4*4pcs	5*1pc	6*1pc	7*4pc

Do not fully tighten all screws until assembly is completed.

STEP 3

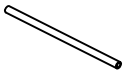


D*1pc

1*2pcs

3*2pcs

5*1pc



M8*50

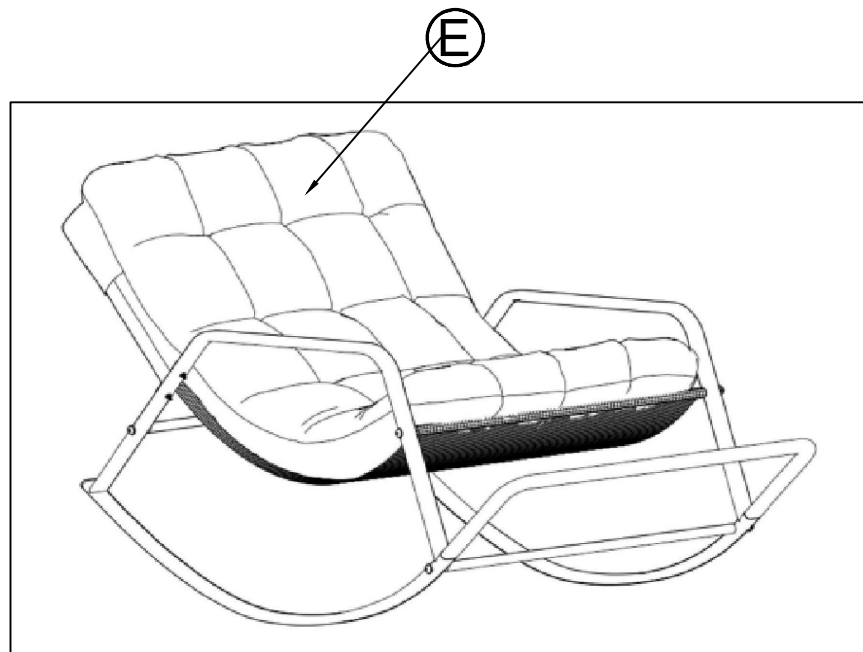


M8



ALLEN KEY M8

STEP 4



E*1pc



Do not fully tighten all screws until assembly is completed.