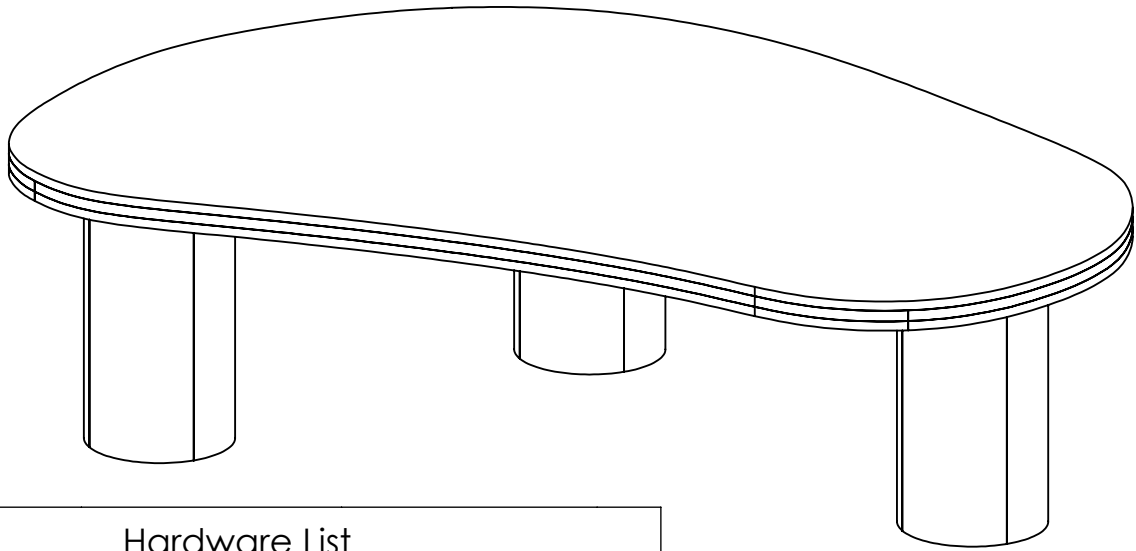


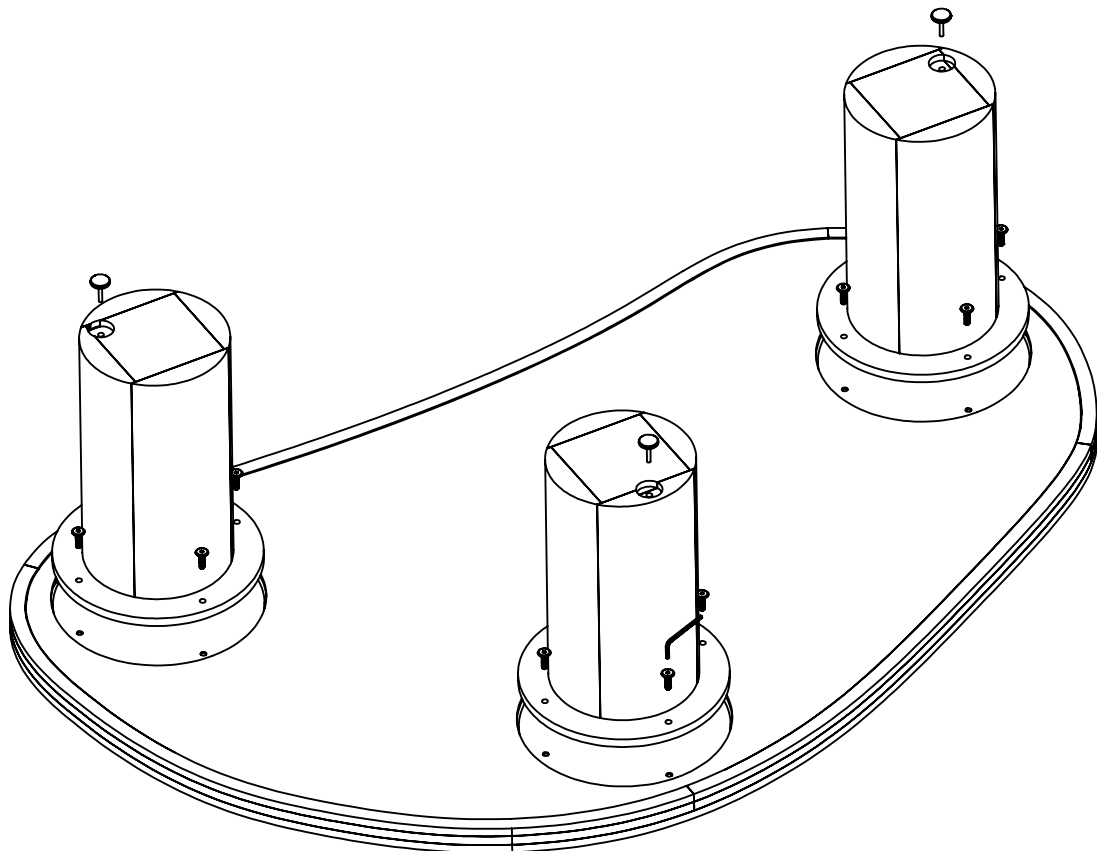


ASSEMBLY INSTRUCTION FOR JOJI LARGE- COFFEE TABLE

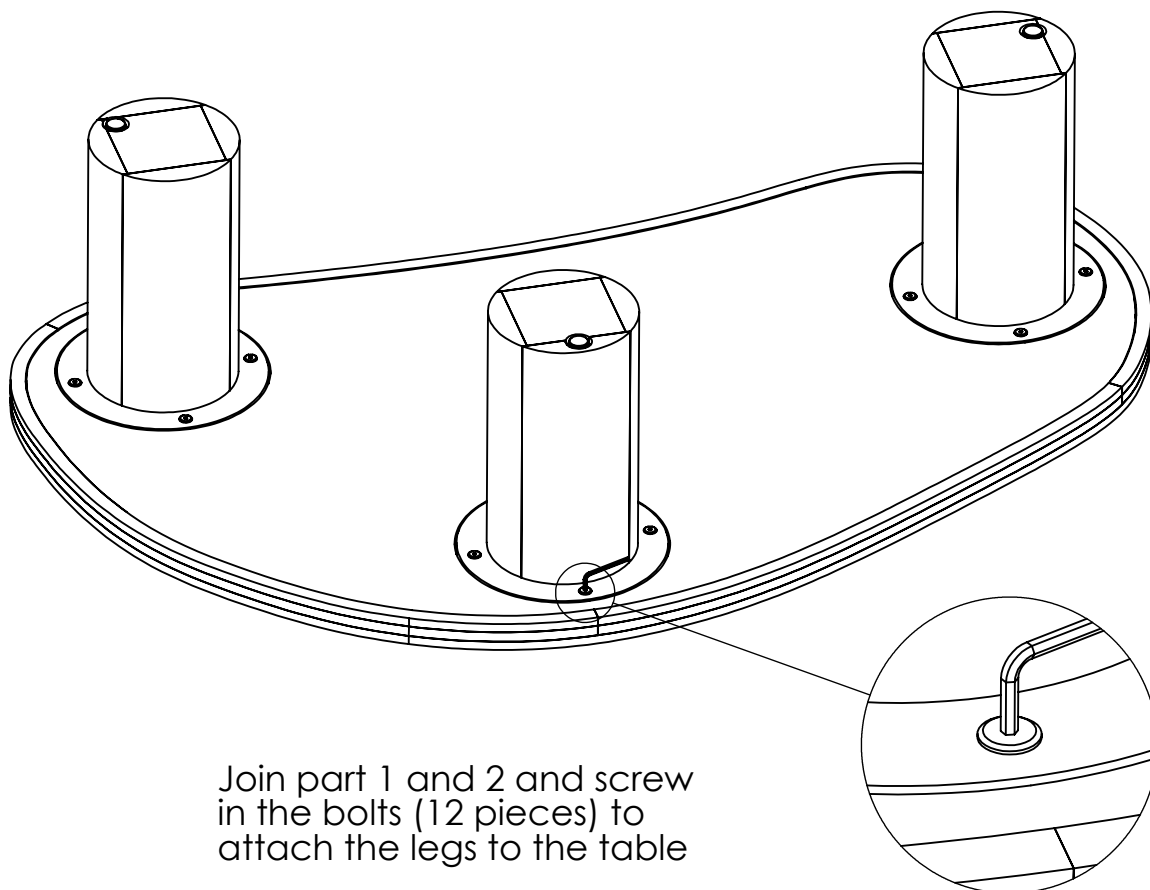


Hardware List

| | | | | |
|---|---|------------|--------|----|
| A |  | Bolt Small | 8X25MM | 12 |
| B |  | Allen Key | 4 mm | 1 |

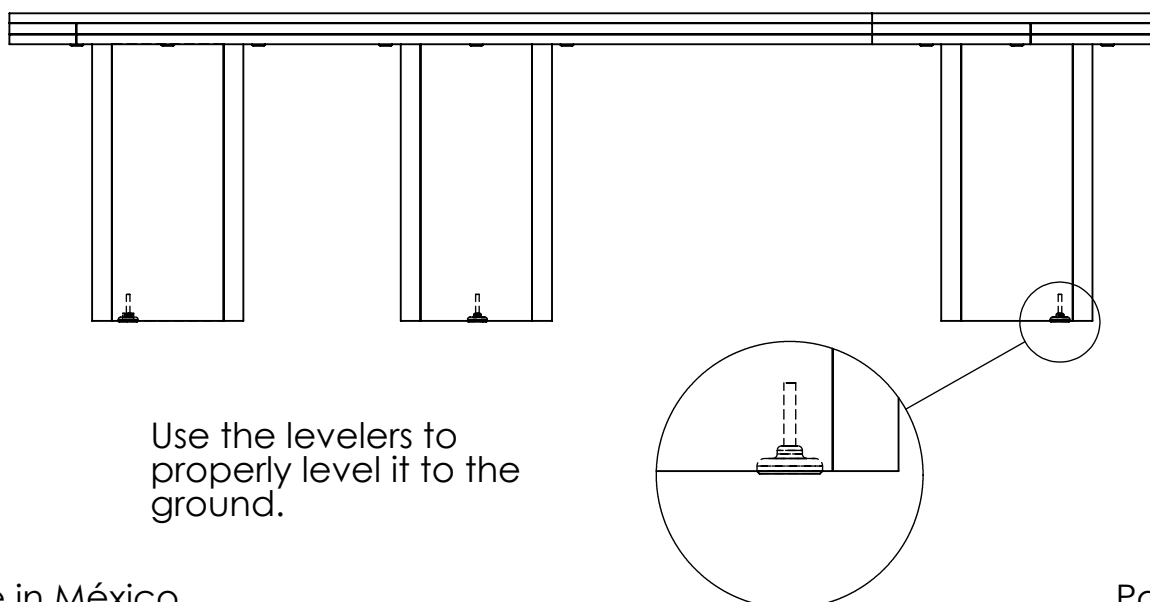


Step 1



Join part 1 and 2 and screw in the bolts (12 pieces) to attach the legs to the table

Step 2



Use the levelers to properly level it to the ground.