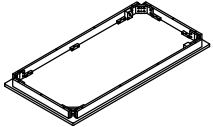
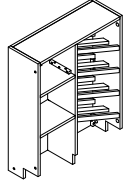
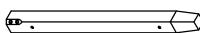
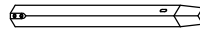
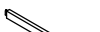



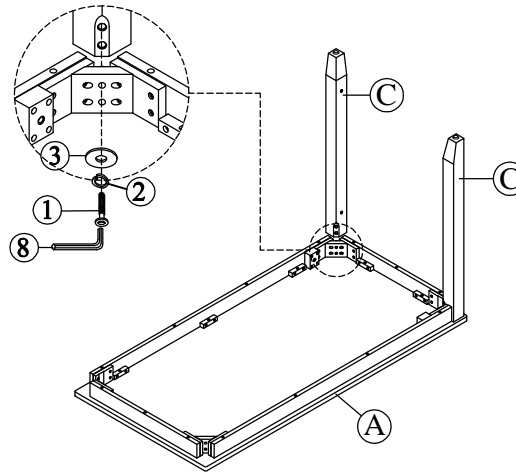
ASSEMBLY INSTRUCTION / INSTRUCTIONS D'ASSEMBLAGE

Description: Counter Height Table

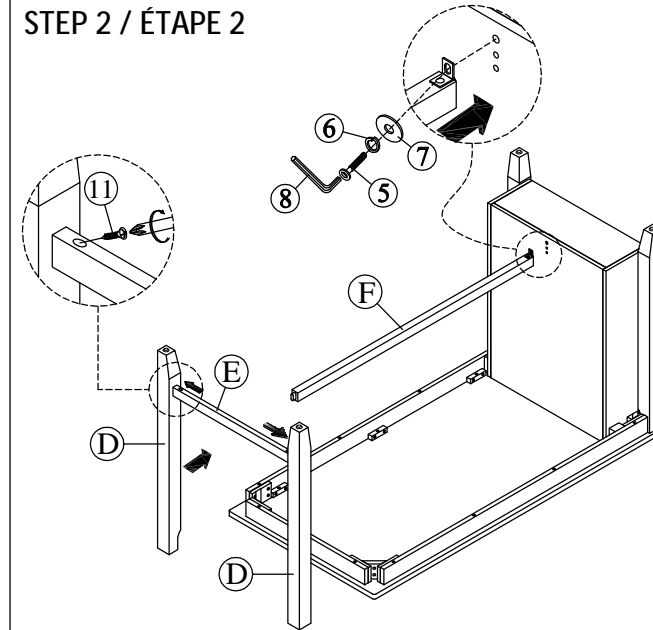
LIST OF PARTS / IDENTIFICATION DES PIÈCES

<p>(A) Table top / Dessus de table</p>  <p>1pc</p>	<p>(B) Wine rack / Bar a vin</p>  <p>1pc</p>
<p>(C) Right legs / Pied</p>  <p>1L,1R</p>	<p>(D) Left legs / Pied</p>  <p>1L,1R</p>
<p>(E) Short stretcher / Entrejambe</p>  <p>1pc</p>	<p>(F) Long stretcher / Entrejambe</p>  <p>1pc</p>

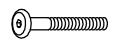






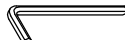

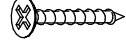
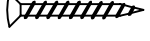
STEP 1 / ÉTAPE 1



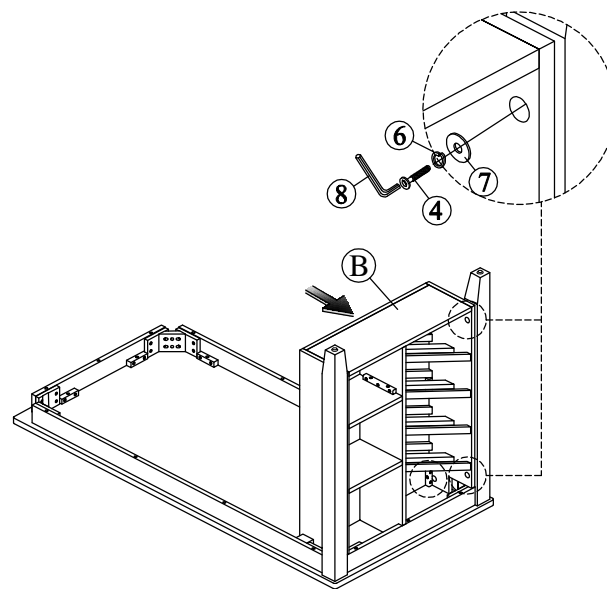
STEP 2 / ÉTAPE 2



LIST OF HARDWARE / IDENTIFICATION DU KIT

<p>1. Long bolt / Boulon</p>  <p>5/16"x50mm (8pcs)</p>	<p>2. Spring washer / Rondelle</p>  <p>5/16" (8pcs)</p>	<p>3. Flat washer / Rondelle</p>  <p>5/16" (8pcs)</p>
<p>4. Medium bolt / Boulon</p>  <p>1/4"x35mm (6pcs)</p>	<p>5. Short bolt / Boulon</p>  <p>1/4"x20mm (1pc)</p>	<p>6. Spring washer / Rondelle</p>  <p>1/4" (7pcs)</p>
<p>7. Flat washer / Rondelle</p>  <p>1/4" (7pcs)</p>	<p>8. Allen key / Clé hexagonale</p>  <p>4mm (1pc)</p>	<p>9. Mending plate / Plaque de reproduction</p>  <p>(1pc)</p>
<p>10. Screws / Vis</p>  <p>#3.5x20mm (3pcs)</p>	<p>11. Screws / Vis</p>  <p>M5x50mm (2pcs)</p>	

STEP 3 / ÉTAPE 3



STEP 4 / ÉTAPE 4

