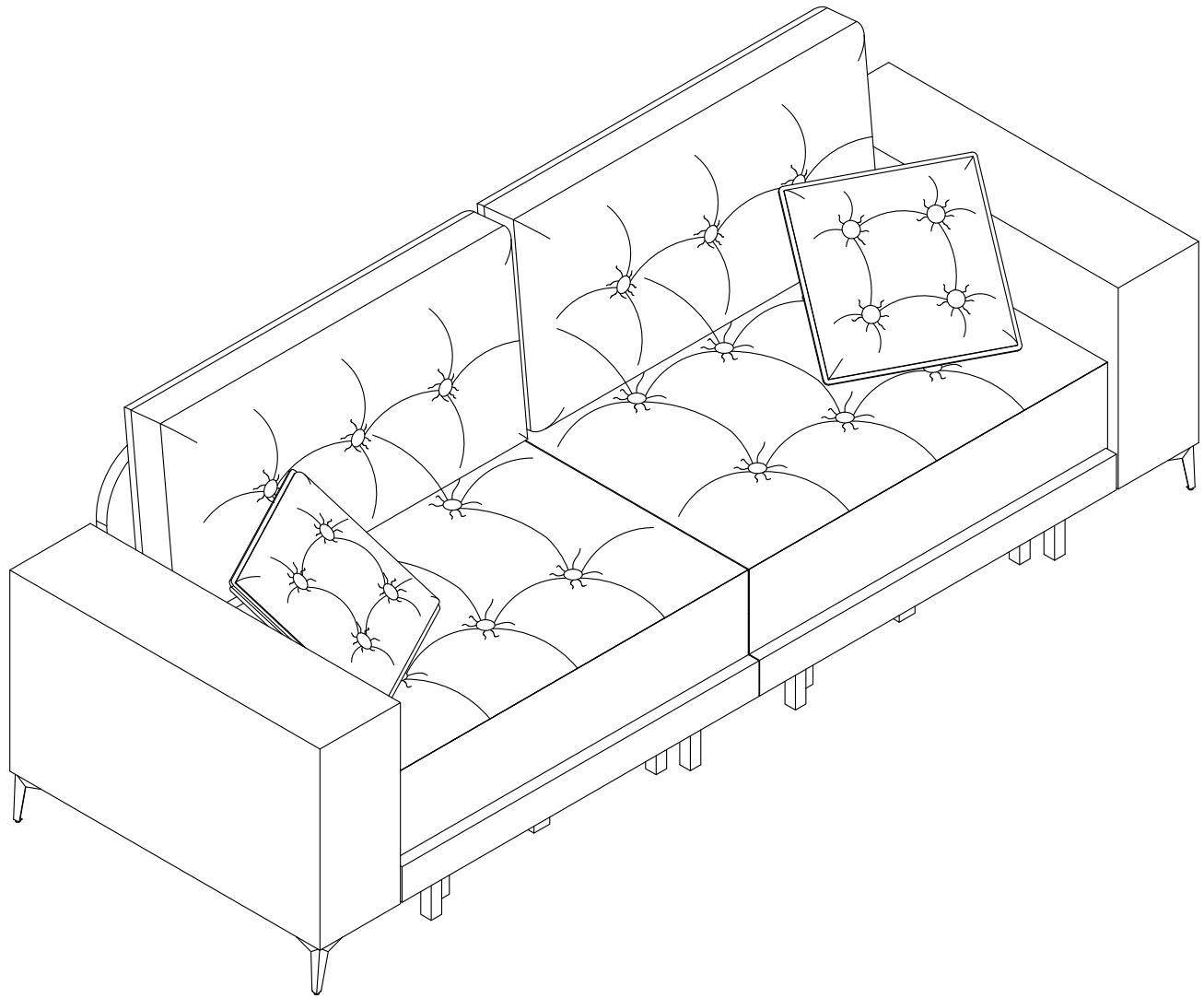
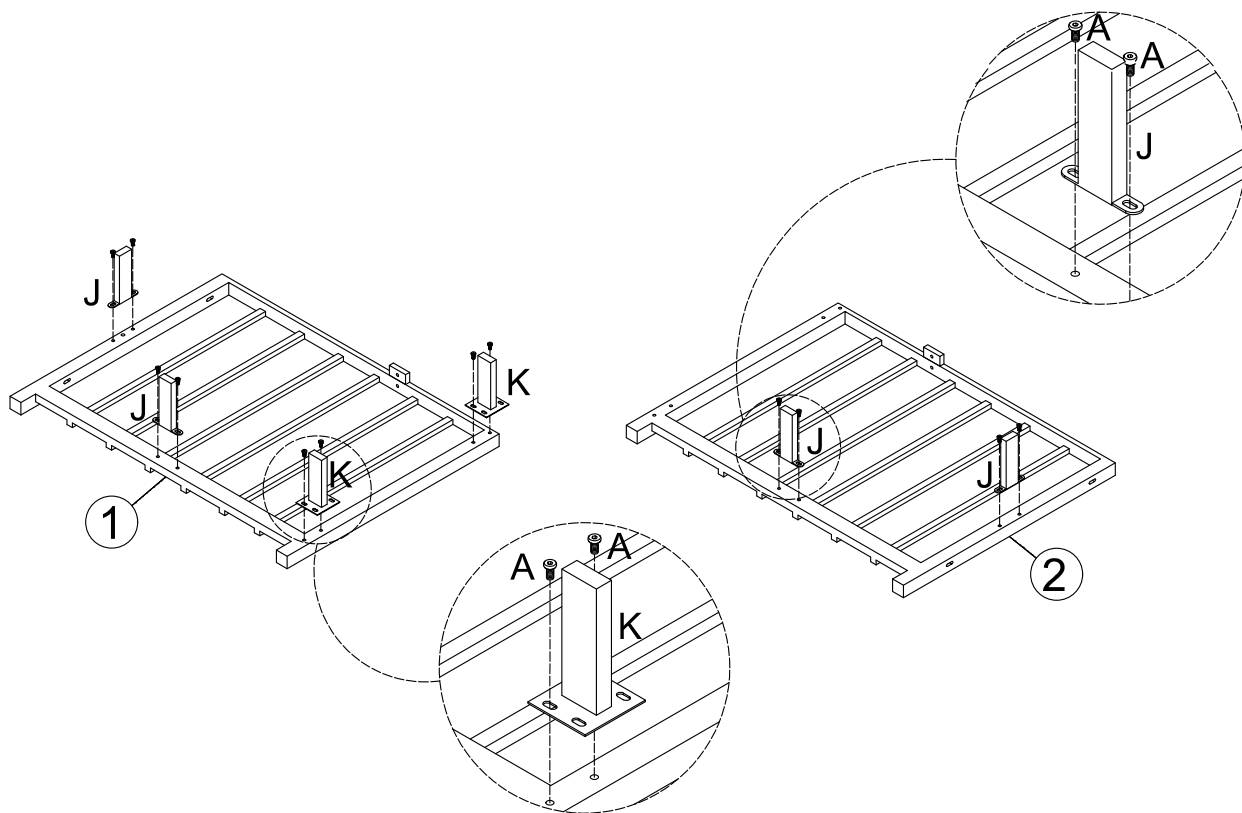
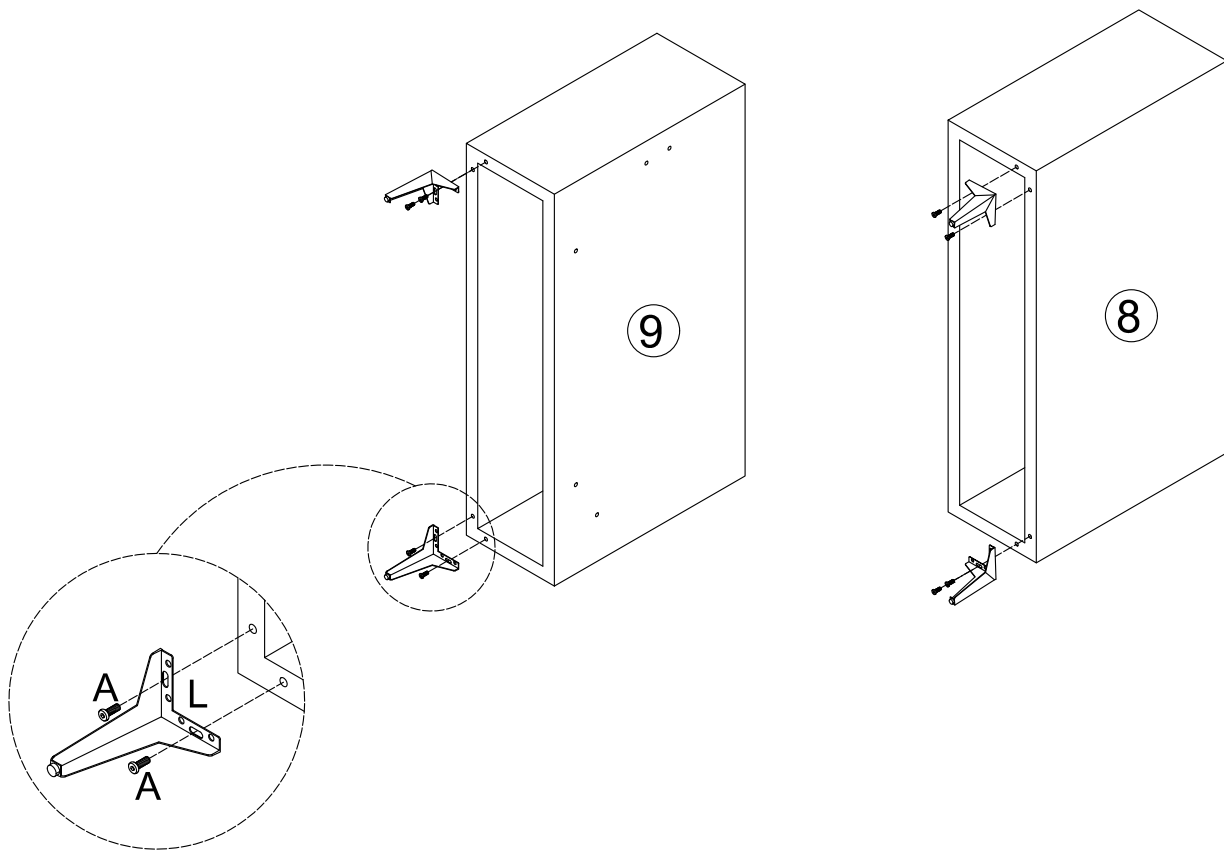
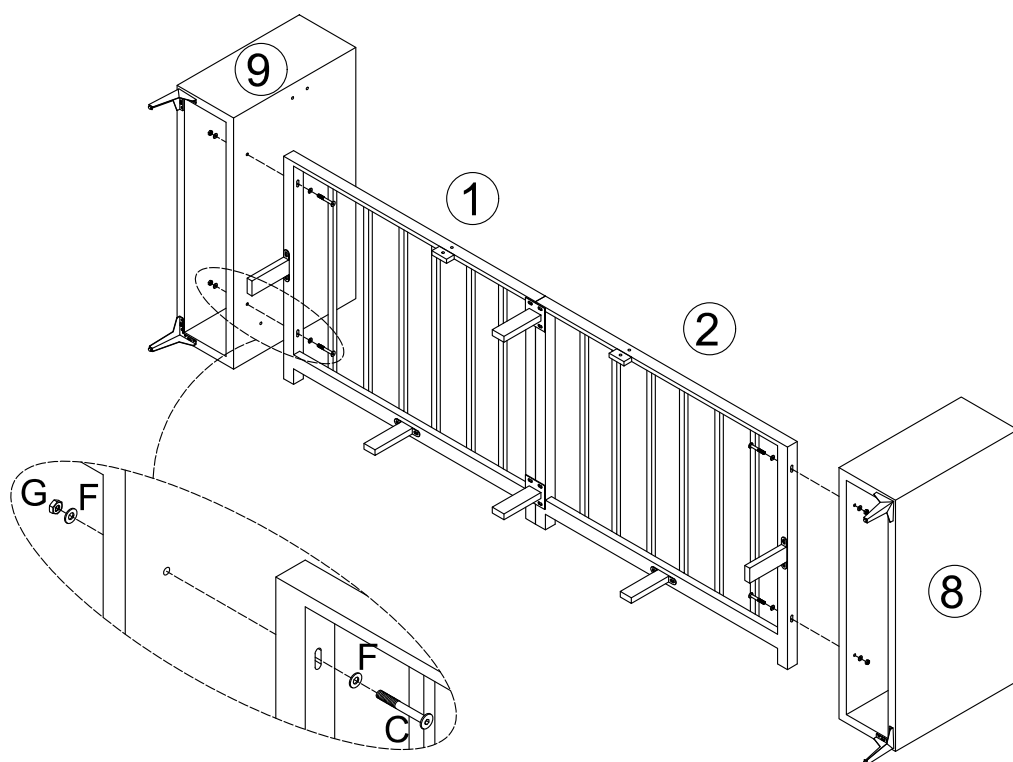
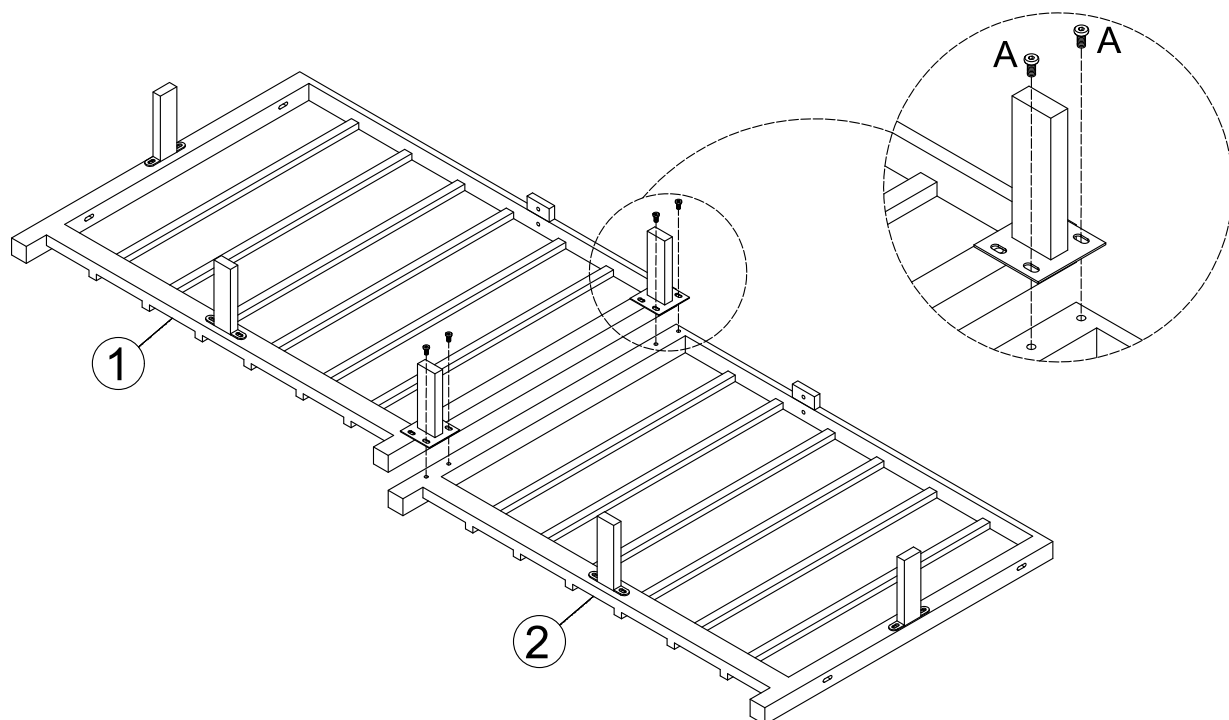
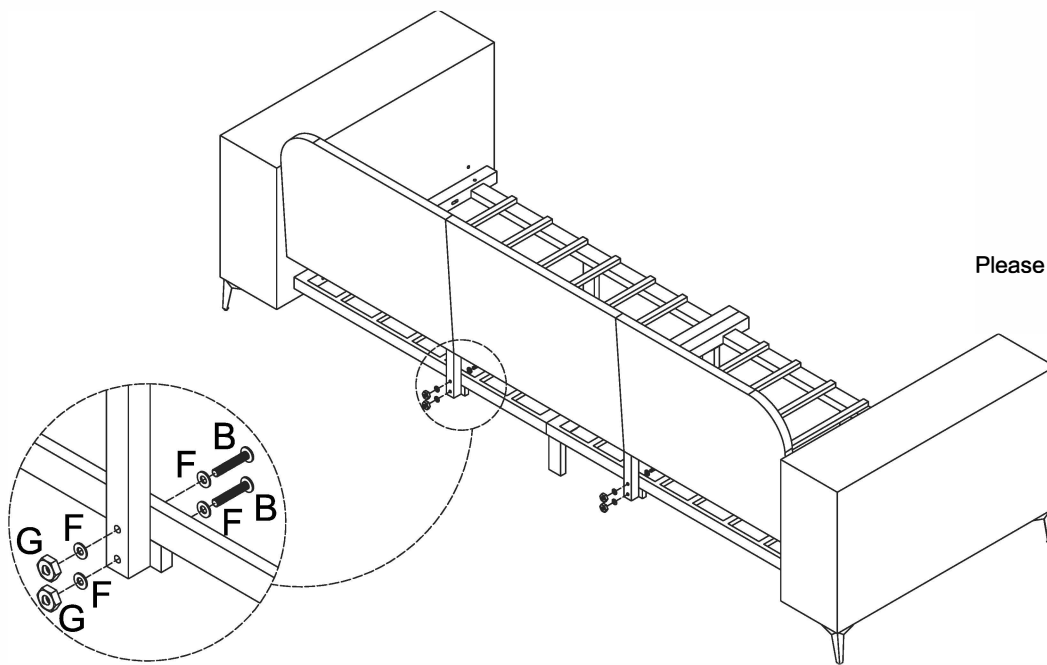


INSTALLATION INSTRUCTION

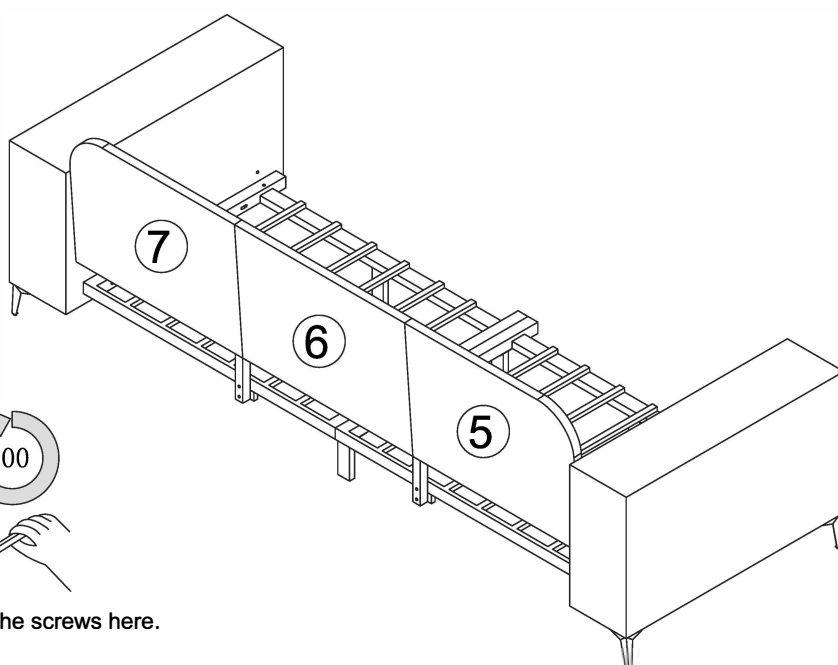




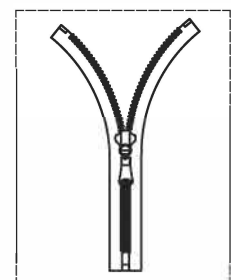




Please tighten the screws to 70% first.



Tighten the screws here.



Please adjust the flatness of numbers 5, 6, and 7 as required, then secure the screws, and finally install the shielding curtains.

