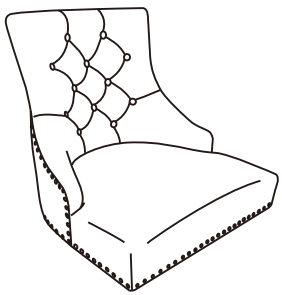





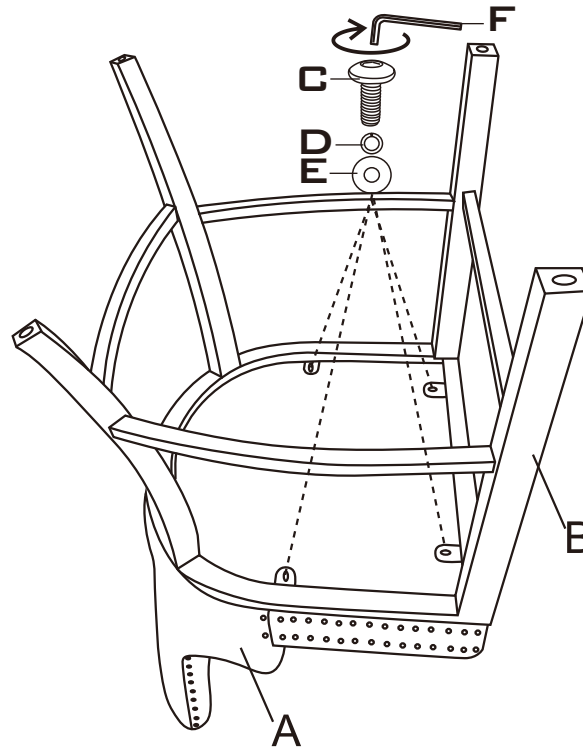


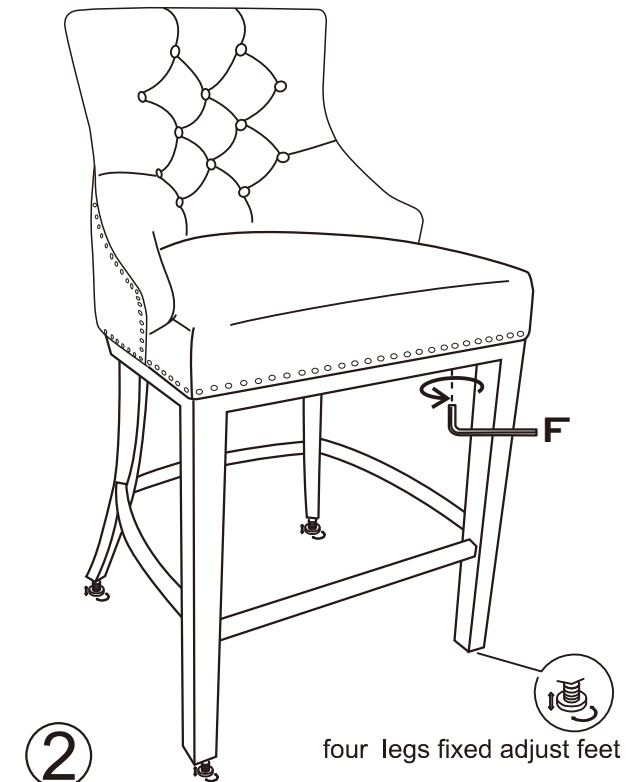
ASSEMBLY INSTRUCTION

<p>A</p>  <p>Top Seat&Back 1pc</p>
<p>B</p>  <p>Base 1pc</p>
<p>C</p>  <p>M6X30mm 4pcs</p> <p>Screw</p>
<p>D</p>  <p>M6 4pcs</p> <p>Spring washer</p>
<p>E</p>  <p>M6 4pcs</p> <p>Flat washer</p>
<p>F</p>  <p>1PC</p> <p>Allen Wrench</p>



①

Put the screws in the holes, tight the screws, but not too tight, 90% is ok.



②

four legs fixed adjust feet

Stand the chair upright & ensure it is level before tightening all screws, Then tight all the screws to 100%