

Hardware



A
8X



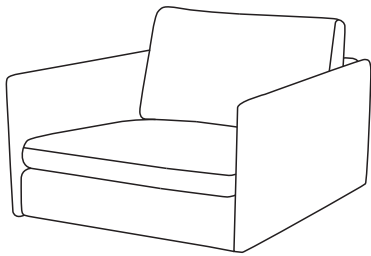
B
4X

Tools required

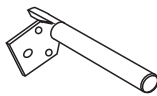


1X

Components



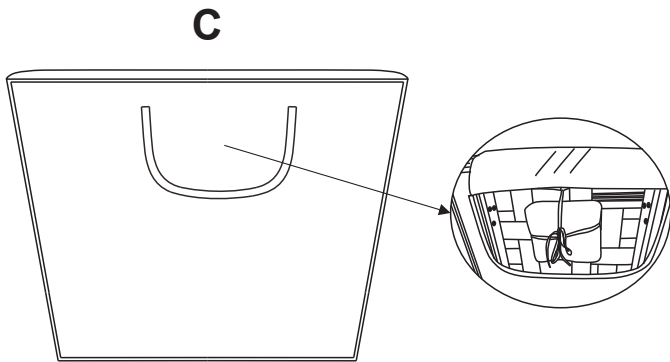
C
1X



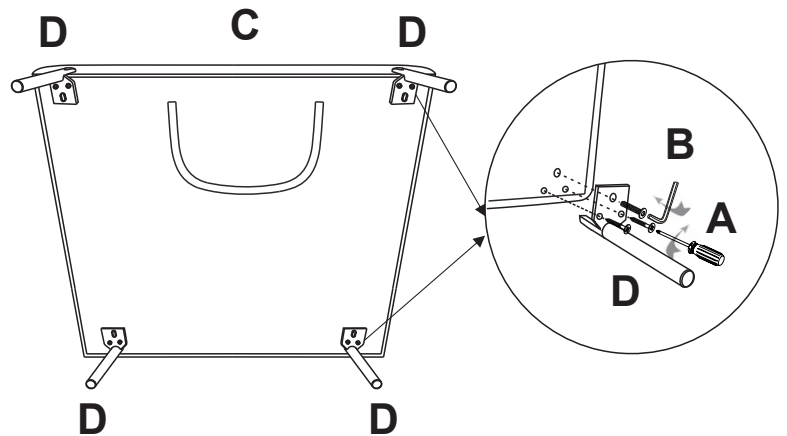
D
4X

Assembly

1



2



3

