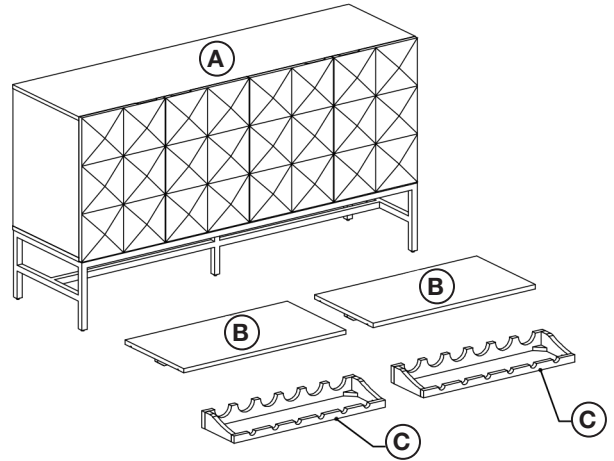


# ASSEMBLY INSTRUCTIONS | ATLAS MEDIA SIDEBOARD

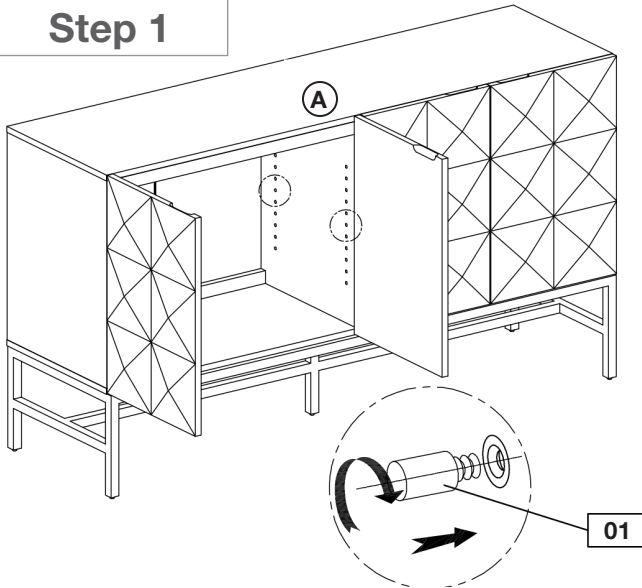
PARTS	
A	Body (1pc)
B	Shelf (2pcs)
C	Wine Rack (2pcs)

HARDWARE CHECKLIST		
01		Shelf Pin (8pcs)

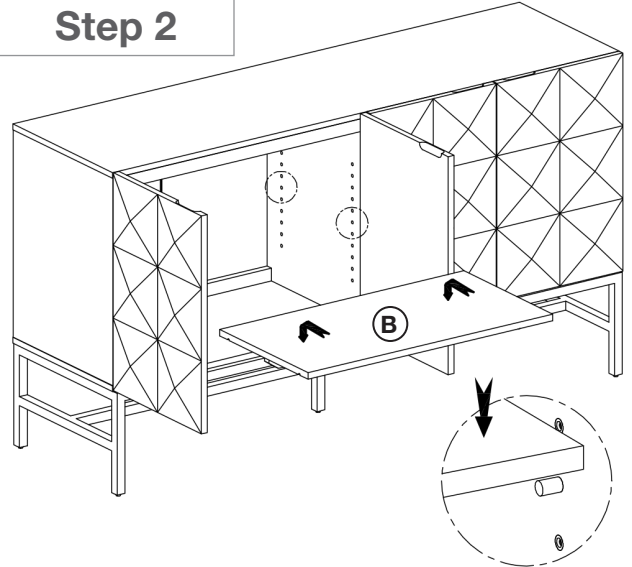
Please do not begin assembly or discard any packaging until you have checked that all the parts and hardware are present. Follow instructions closely as deviation from them may void your warranty and present a possible safety risk. It is recommended that assembly is done on a soft surface to avoid any damage. Periodically check and re-tighten any fasteners. Wipe down all surfaces weekly with a clean cloth. Do not clean any surfaces with harsh abrasives or chemicals.



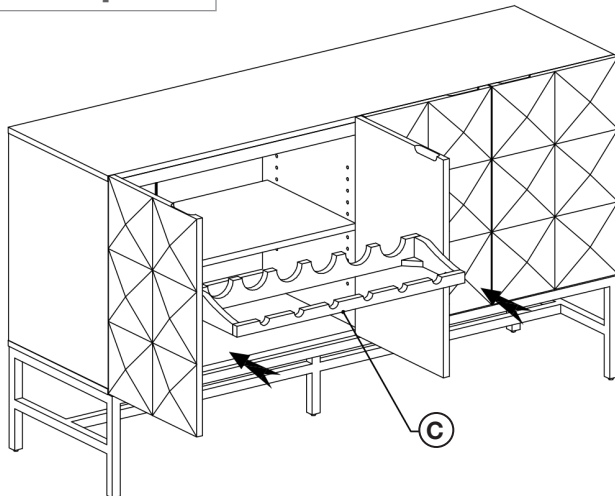
**Step 1**



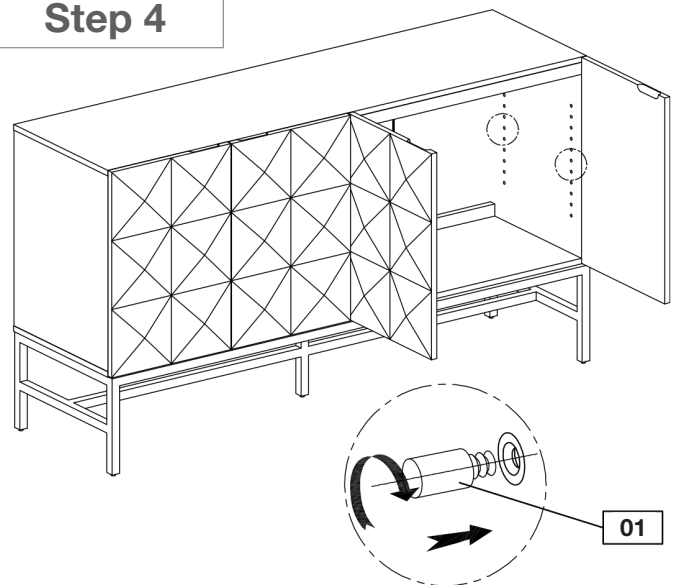
**Step 2**



**Step 3**

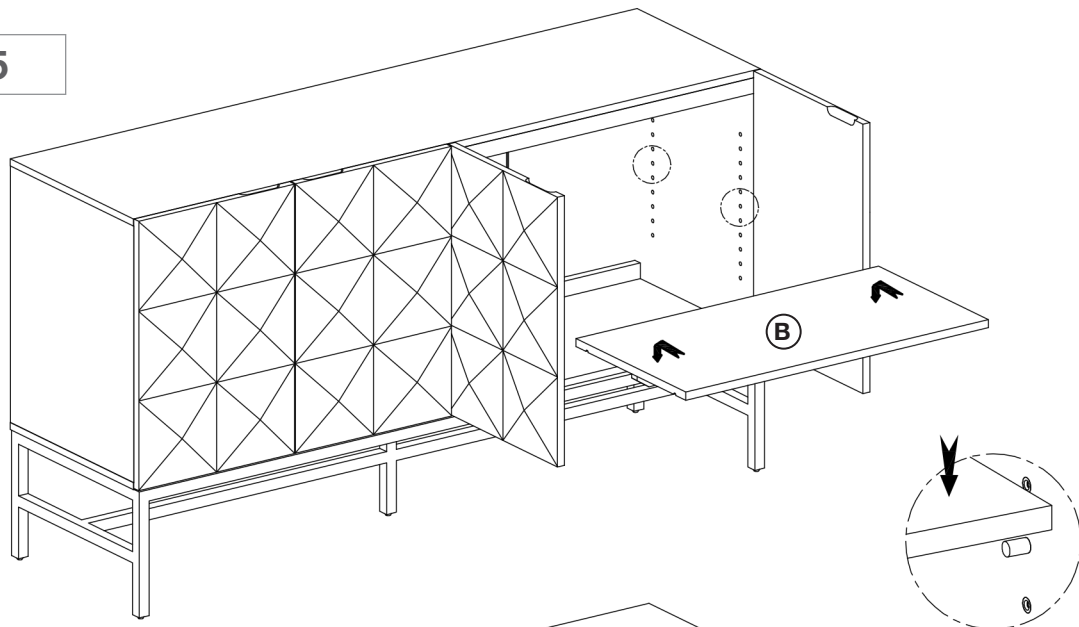


**Step 4**

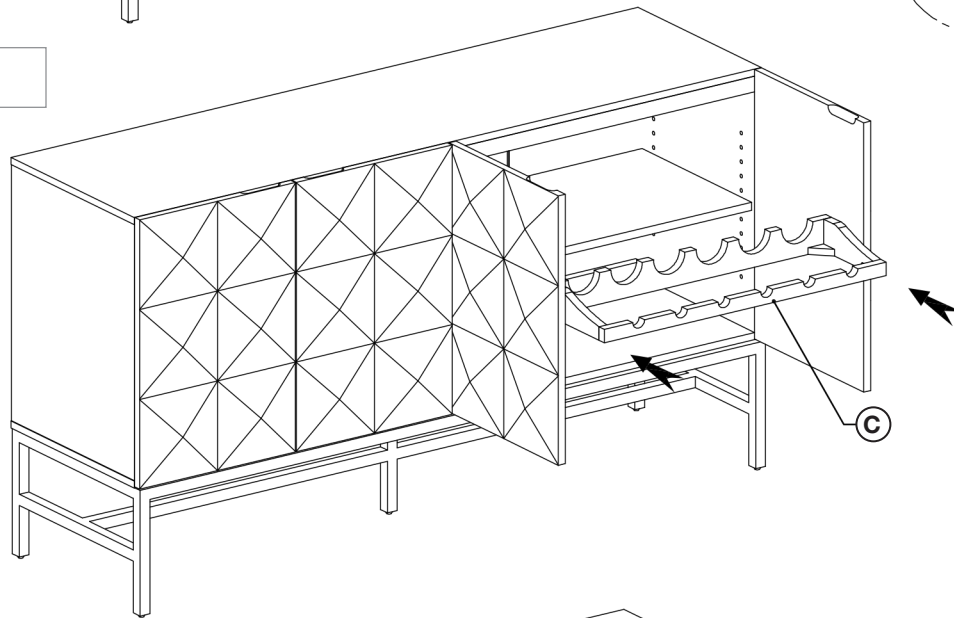


# ASSEMBLY INSTRUCTIONS | ATLAS MEDIA SIDEBORD

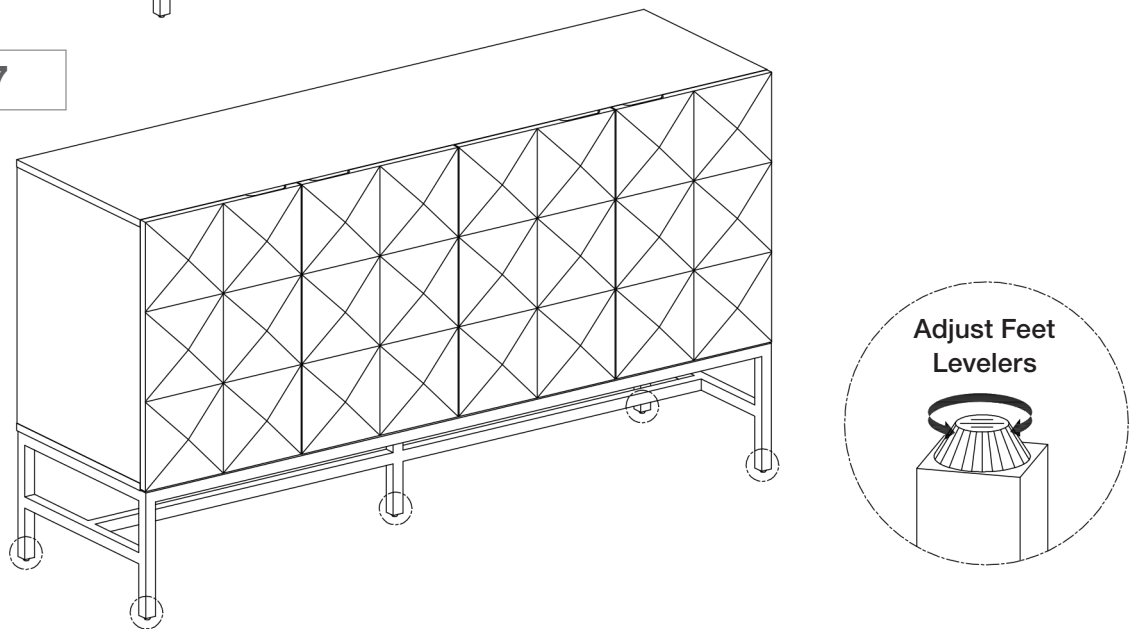
## Step 5



## Step 6

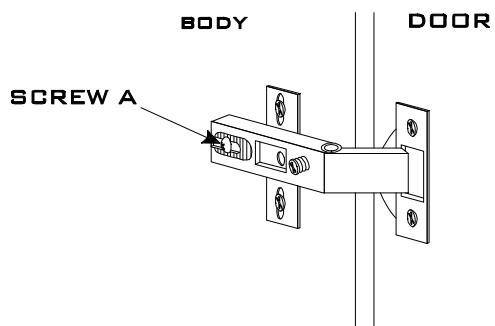
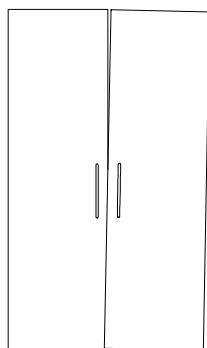


## Step 7



# HINGE ADJUSTMENT INSTRUCTIONS

## LATERAL MOVEMENT



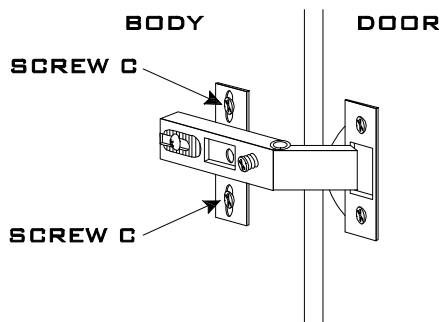
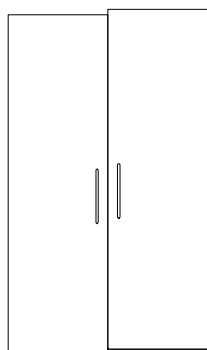
### WHAT IT LOOKS LIKE

- THE RIGHT AND LEFT SIDES OF THE DOOR WILL NOT BE FLUSH WITH THE SIDE PANEL.

### HOW TO FIX IT

- TO MOVE THE DOOR TOWARDS OR AWAY FROM THE CENTRE OF THE UNIT, LOOSEN SCREW "A". ADJUST THE DOOR AND THEN TIGHTEN SCREW "A".

## VERTICAL MOVEMENT



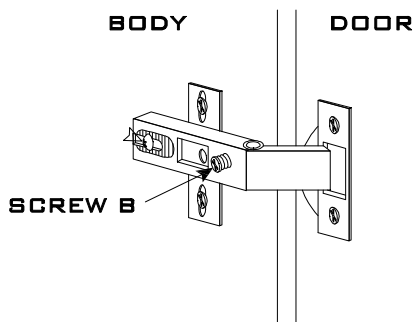
### WHAT IT LOOKS LIKE

- THE TOP AND BOTTOM OF THE DOOR WILL NOT BE FLUSH WITH THE VERTICAL PANEL.

### HOW TO FIX IT

- TO MOVE THE DOOR TOWARDS OR AWAY FROM THE HORIZONTAL PANELS, LOOSEN SCREWS "C". ADJUST THE DOOR AND THEN TIGHTEN SCREWS "C".

## HORIZONTAL MOVEMENT



### WHAT IT LOOKS LIKE

- THE DOOR WILL APPEAR TOO FAR OR TOO CLOSE FROM THE FRONT EDGE OF THE SIDE PANEL LEAVING A GAP BEHIND THE DOOR.

### HOW TO FIX IT

- TO MOVE THE DOOR TOWARDS OR AWAY FROM THE UNIT, ADJUST SCREW "B" AND MOVE THE DOOR FORWARDS OR BACKWARDS UNTIL THERE IS AN EVEN GAP BETWEEN THE DOOR AND THE FRONT EDGE OF THE SIDE PANEL.