

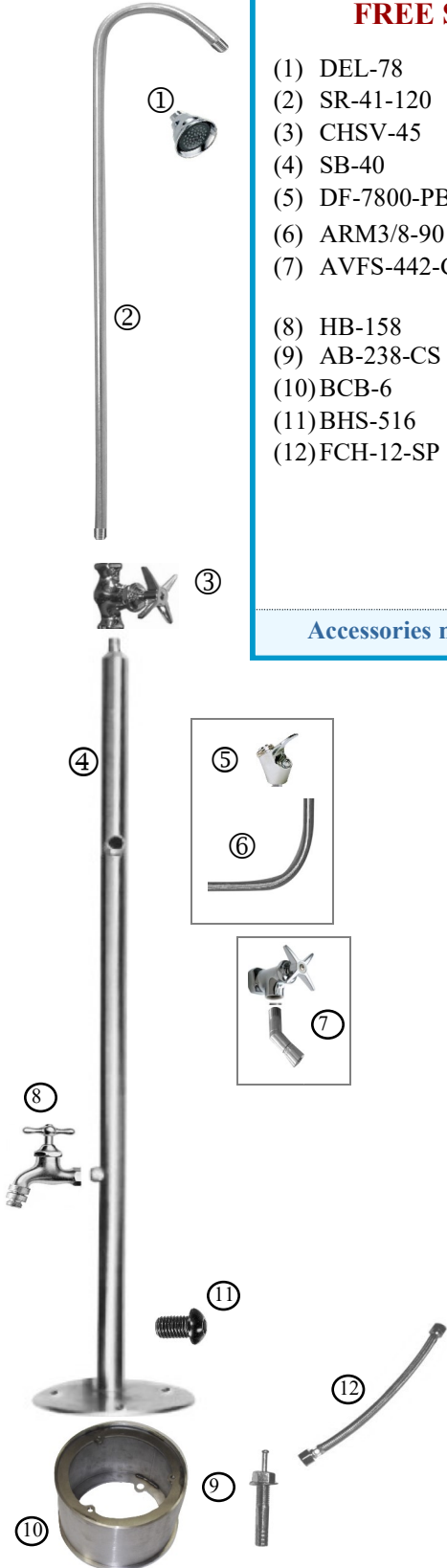
Outdoor Shower Company, LLC
 Dallas, Georgia
 www.outdoorshowerco.com — 1-866-SHOWER1
 Manufactures of Quality Outdoor Stainless Steel Showers



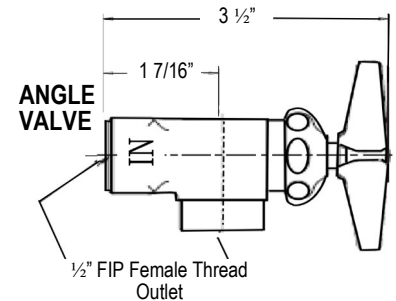
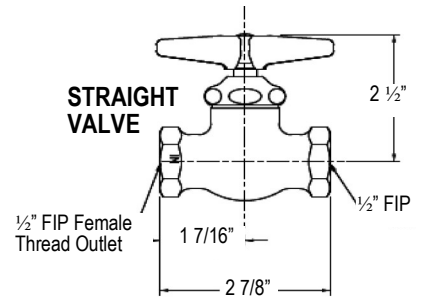
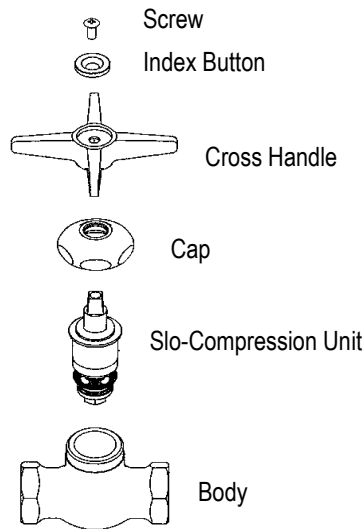
**PS-900-CHV, PS-1000-CHV, PSDF-1500-CHV, BS-1200-CHV, BS-2000-CHV
 FREE STANDING COLD WATER—CROSS HANDLE VALVES**

- | | |
|------------------|--|
| (1) DEL-78 | 2.0 GPM Shower Head |
| (2) SR-41-120 | 1/2" Stainless Steel Riser—SCH40 pipe |
| (3) CHSV-45 | 1/2" FPT Manual Turn Cross Handle Straight Valve |
| (4) SB-40 | 1" X 40" Stainless Steel Base with 6" dia. Base Plate |
| (5) DF-7800-PB | Push Button Drinking Fountain Bubbler |
| (6) ARM3/8-90 | 3/8" X 12" Stainless Steel Nipple with 90° Bend |
| (7) AVFS-442-CHV | Foot Shower: Stainless Steel Nipple, Cross Handle Manual Turn Angle Valve, 1" Aerating Shower Head |
| (8) HB-158 | 1/2" MIP x 3/4" MHT Chrome Plated Hose Bibb w/Vacuum Breaker |
| (9) AB-238-CS | 3 Carbon Steel Drive Anchor Bolts—3/8" X 2-3/8" |
| (10) BCB-6 | 6" Stainless Steel Base Cylinder with Brackets |
| (11) BHS-516 | 5/16" Button Head Socket Head Screws (3) |
| (12) FCH-12-SP | 12" Stainless Steel Flexible Connector Hose—1/2"x1/2" IPS |

Accessories may vary due to availability and slight modifications by the manufacturer.



Cross Handle Angle & Straight Valve Components



WINTERIZING: It is recommended that a shut-off valve be installed in the supply line. The shower unit should be blown out, and it is recommended that accessories, valve cartridges, and shower heads be removed and stored. The easy installation makes it possible to store the entire unit indoors in harsh weather conditions. **FREEZE DAMAGE IS NOT COVERED BY THE WARRANTY.**

PS-900-CHV, PS-1000-CHV, PSDF-1500-CHV, BS-1200-CHV, BS-2000-CHV—FREE STANDING COLD WATER



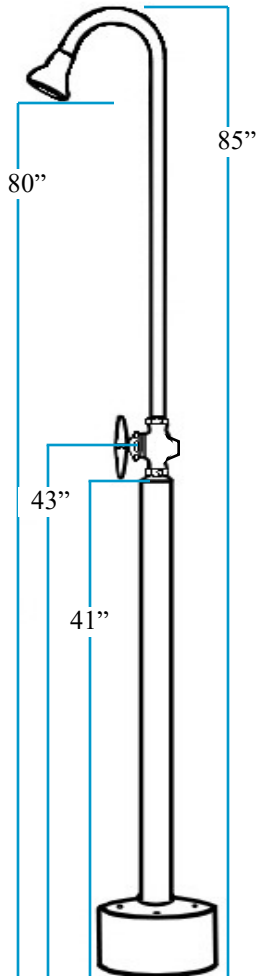
- FREE STANDING COLD WATER SHOWERS
- MANUAL TURN CROSS HANDLE VALVE

Shower units can be modified by adding or removing accessory parts.

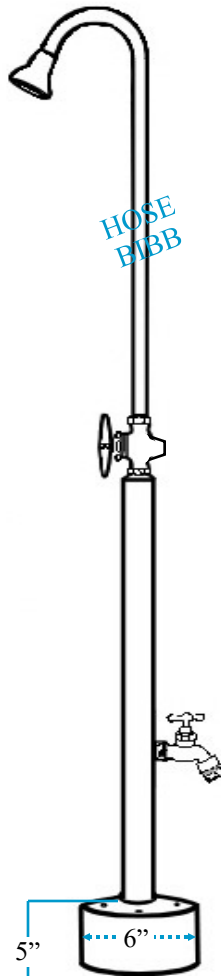
Additional part numbers are needed for modifications:

- BS-2000-CHV Less Hose Bibb = Part #BS-1200-CHV
- PSDF-1500-CHV Less Hose Bibb = Part #PSDF-1500-CHV-LSHB

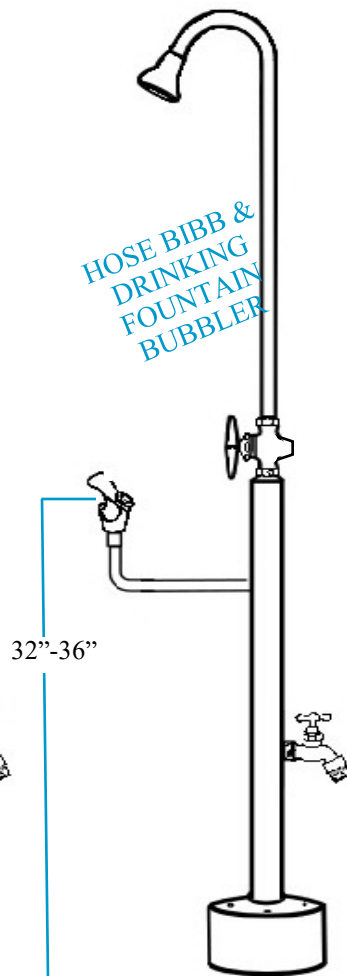
PS-900-CHV



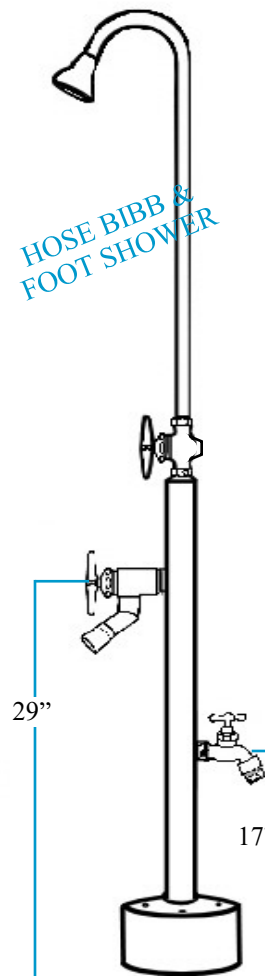
PS-1000-CHV



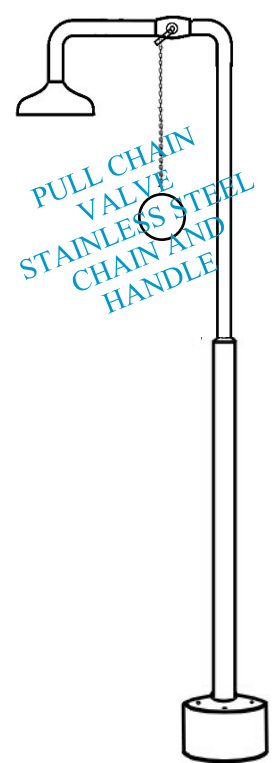
PSDF-1500-CHV



BS-2000-CHV



PS-900-PCV



PULL CHAINS ARE AVAILABLE ON ALL FREE STANDING COLD WATER SHOWER UNITS AND COME WITH A 6" SUN-FLOWER SHOWER HEAD

FLOORING SURFACE

POSITION OF THE WATER SUPPLY LINE AND ACCESSORIES CAN VARY WHEN SHOWER BASE IS ROTATED CLOCKWISE OR COUNTERCLOCKWISE.

TECHNICAL DATA:

- FREE STANDING UNIT
- 304 STAINLESS STEEL SCH40 SS 1/2" PIPE
- 304 STAINLESS STEEL SCH40 SS 1" TUBING
- 304 STAINLESS STEEL BASE & COVER
- 3/8 x 2-3/8 CARBON STEEL DRIVE ANCHOR BOLTS
- 2.0 GPM CHROME PLATED SHOWER HEAD
- CHROME PLATED BRASS DRINKING FOUNTAIN BUBBLER
- CHROME PLATED BRASS HOSE BIBB W/VACUUM BREAKER
- CHROME PLATED BRASS ANGLE AND STRAIGHT VALVES
- CHROME PLATED BRASS PULL CHAIN VALVE—STAINLESS STEEL CHAIN & HANDLE
- ASME A112.18.1 COMPLIANT
- CSA B125 COMPLIANT
- CSA B 64.2 COMPLIANT
- ANSI/NSF Std. 61-1999a

PS-900-CHV, PS-1000-CHV, PSDF-1500-CHV, BS-1200-CHV, BS-2000-CHV—FREE STANDING COLD WATER

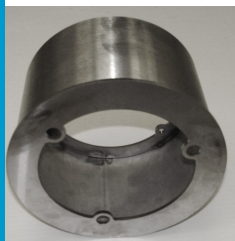
FREE STANDING COLD WATER SHOWER UNIT INSTALLATION

Items needed: 9/16" wrench and crescent wrench, hammer, roto hammer, 3/8" drill bit, Teflon tape

Flush lines before installing valves and shower head. Debris in water line can cause valves to malfunction.

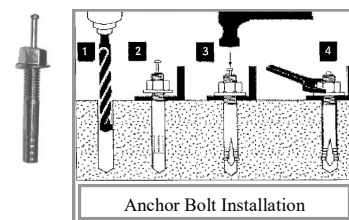


TOP VIEW



BOTTOM VIEW

1. Run a 1/2" water supply line at the desired location of the shower unit.
2. Attach 1/2" water supply line to flexible hose.
3. Using the pre-drilled holes of the bottom ring of the Base Cylinder as a guide, mark the placement of the drill holes at desired location of installation. Drill three, 3/8" holes, 3" deep.
4. Position Base Cylinder to line up with pre-drilled holes in flooring surface. Insert Anchor Bolts in each hole. When bolts are in position hit the pin of the bolt with a hammer, locking it into place. Tighten nuts.
5. Lay Shower Base and Cover Plate on Base Cylinder and attach other end of flexible hose to underside of Shower Base.



Anchor Bolt Installation



6. Curl hose inside Base Cylinder while standing the shower base in an upright position.

7. Align the holes in the Cover Plate with the holes of the Base Cylinder and attach using button head cap screws.

Teflon Tape is not needed when attaching Shower Heads or other accessories with washers.

PS-900, PS-1000, BS-1200, PSDF-1500, BS-2000

- Attach straight valve to shower base, and attach riser to valve using Teflon Tape.
- Attach accessories to base using Teflon Tape.

FSFS, FSDF, FSHS, FSHB

- Attach angle valve to top of shower base using Teflon Tape.
- Attach accessories to base using Teflon Tape.

PS-3200, PS-3300, PS-3400

- Attach brackets, valves, hose bibb, and riser to shower unit body using Teflon Tape as shown in Specification sheet included shower unit.

WINTERIZATION

It is recommended that a shut off valve be installed in the supply line going to the shower unit for winterization. To prevent freeze damage remove and store shower unit leaving Base Cylinder anchored to flooring surface. If the shower unit is left outdoors cut off water supply, completely drain or blow out all moisture, and remove all accessories and valves.

FREEZE DAMAGE IS NOT COVERED BY THE WARRANTY.