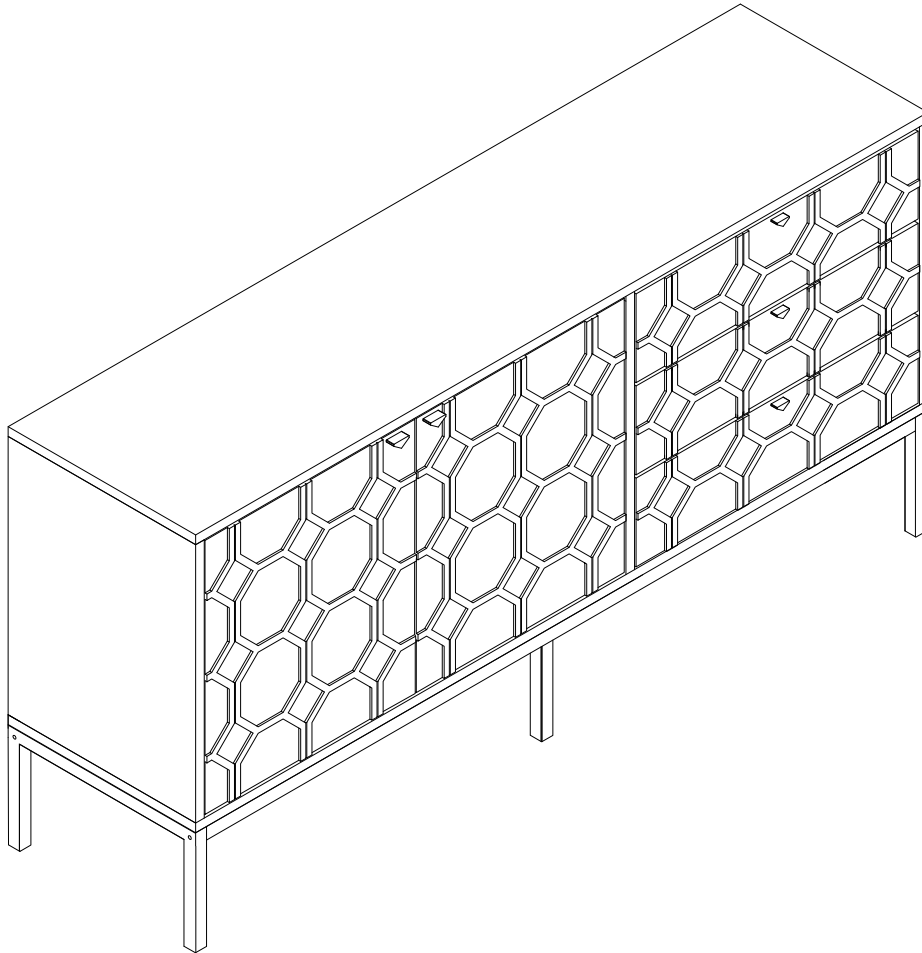


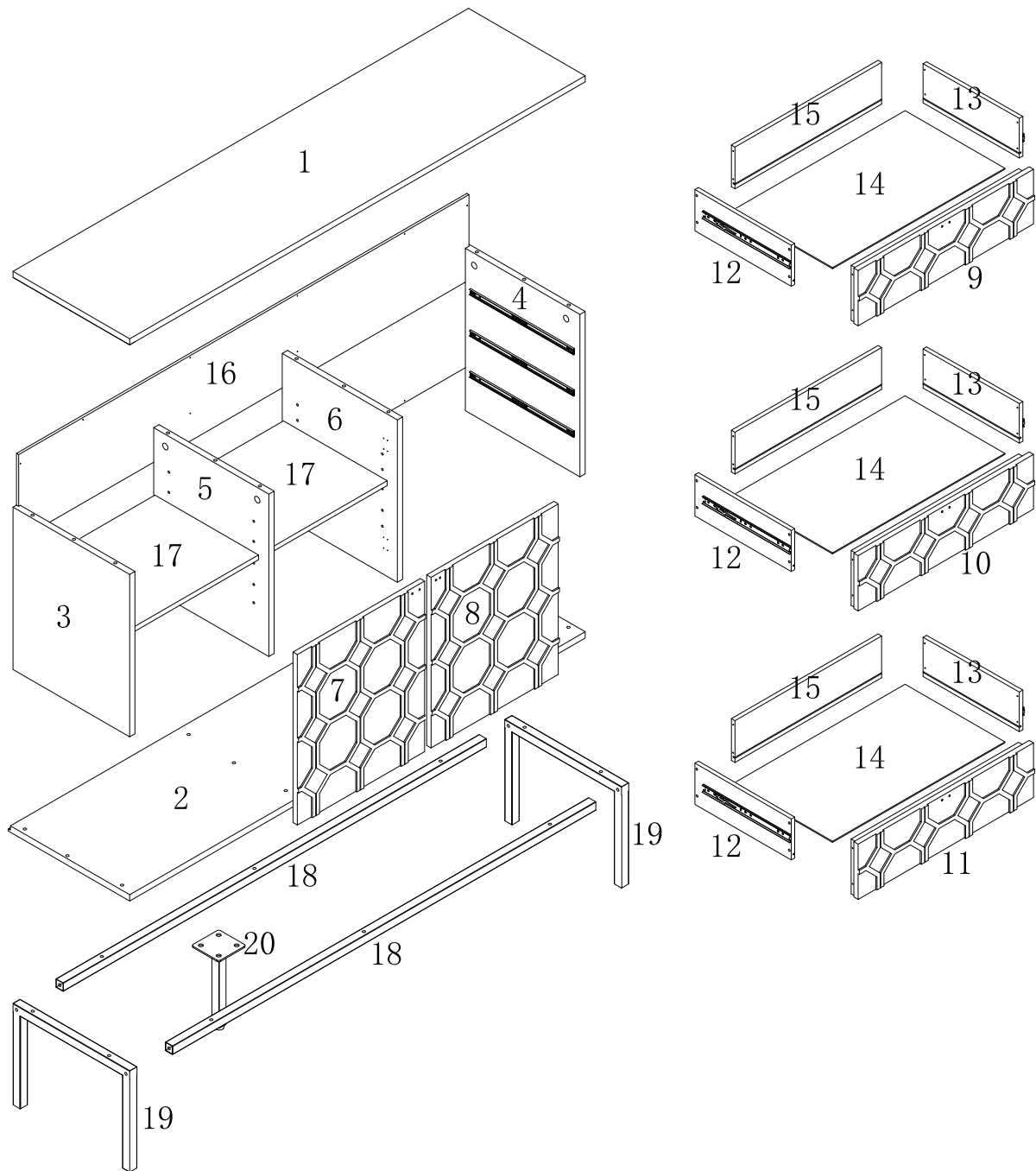
# ASSEMBLY INSTRUCTIONS



**WARNING:**

**SERIOUS TIPPING HAZARD.** This cabinet can tip over if not secured, causing injury or death. Always attach to the wall using the safety wall strap (Part O) provided. Never allow children to climb on doors, drawers, or shelves.

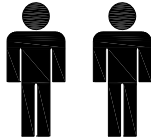
# ASSEMBLY INSTRUCTIONS



## Assembly Details

**40** mins

Approximate Assembly Time

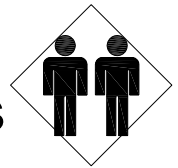


2 person assembly

Floor Area:

**1.5X1.5** meters

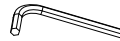
Required Assembly Space



Required Assembly Tools

Phillips-Head Screwdriver

Allen Wrench



## Tips Before you Start

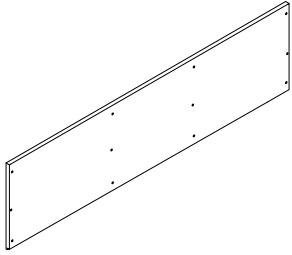
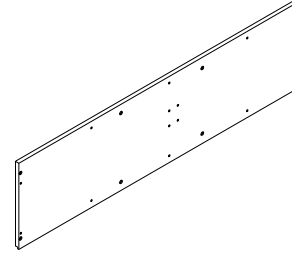
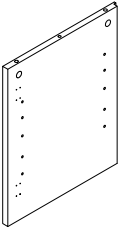
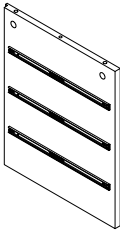
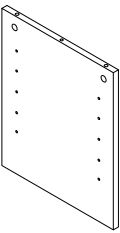
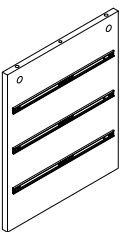
1. Please check that all parts are present before you start the assembly of your furniture.
2. For ease and speed of assembly, we recommend that before you commence each step of the assembly, that you identify all the parts required for that step.
3. We recommend that, where possible, all items are assembled near to the area in which they will be placed in use, to avoid moving the product unnecessarily once assembled.
4. For the protection of your furniture, we recommend that the product is placed on a protected surface during assembly to prevent any damage.
5. During assembly please take care not to over-tighten any fittings, as this may damage the product.
6. Always place the product on a flat, steady and stable surface.
7. Do not stand on the product. Do not use the product as a stepladder.
8. Please use caution and care when lifting the product to avoid personal injury and/or product damage.

## Care and Maintenance

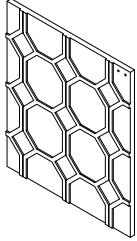
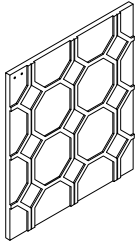
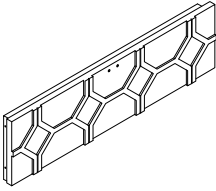
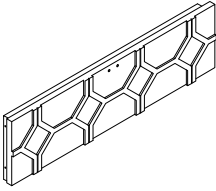
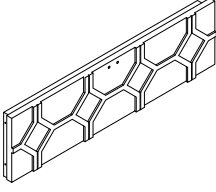
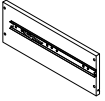
- Upon completion of assembly be sure that all screws, bolts and fastening.
- Never clean with abrasive ammonia base, bleach base or spirit type cleaners.

# ASSEMBLY INSTRUCTIONS

## Part list:

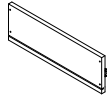
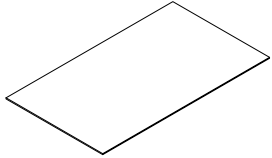
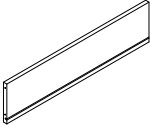
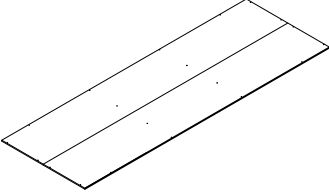
ITEM	DESCRIPTION	PART	QTY
1	Top panel		1
2	Bottom panel		1
3	Left side		1
4	Right side		1
5	Left dicider		1
6	Right dicider		1

## Part list:

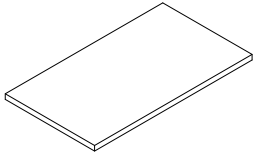
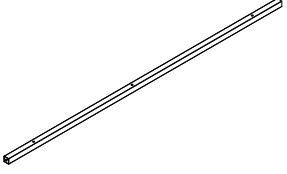
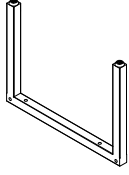
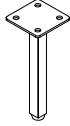
ITEM	DESCRIPTION	PART	QTY
7	Left door		1
8	Right door		1
9	Upper drawer front		1
10	Middle drawer front		1
11	Lower drawer front		1
12	Drawer left side		3

# ASSEMBLY INSTRUCTIONS

## Part list:

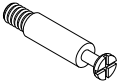

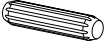





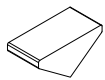
ITEM	DESCRIPTION	PART	QTY
13	Drawer right side		3
14	Drawer bottom		3
15	Drawer back		3
16	Back panel		1

## Part list:


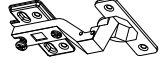







ITEM	DESCRIPTION	PART	QTY
17	Adjustable shelf		2
18	Crossbar		2
19	Side Leg		2
20	Middle Leg		1

## ASSEMBLY INSTRUCTIONS

## Hardware List:

ITEM	DESCRIPTION	PART	QTY
A	Camlock bolt		8
B	Camlock		8
C	Wooden dowel	 Φ0.31*1.18"	8
D	Bolt	 Φ0.23*1.18"	10
E	Bolt	 Φ0.23*1.57"	4
F	Bolt	 Φ0.23*0.47"	4
G	Allen wrench		1
H	Flat head screw	 Φ0.15*1.37"	32
I	Handle		5

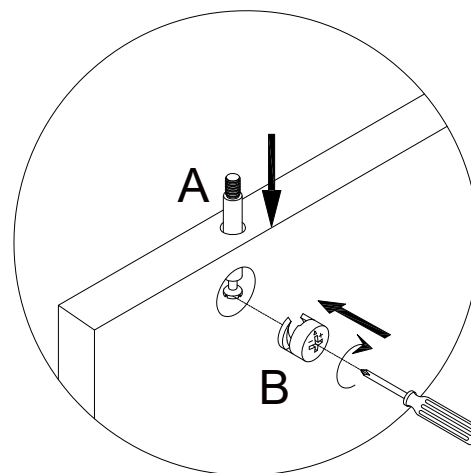
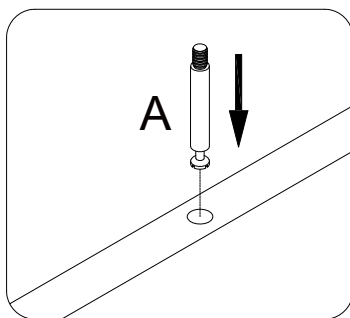
## Hardware List:

ITEM	DESCRIPTION	PART	QTY
J	Machine screw	 Φ0.15*0.7"	10
K	Door fitting		4
L	Wood screw	 Φ0.15*0.55"	24
M	Round head screw	 Φ0.11*0.55"	20
N	Shelf support		8
O	Safety wall strap		2
P	Plastic anchor		2
Q	Mounting screw	 Φ0.15*1.57"	2
R	Washer		2

## ASSEMBLY INSTRUCTIONS

- \* Required screwdriver & mallet, not included.
- \* Before discarding packing material, please check to make sure that all parts and hardware is present.
- \* Two people needed for assembly.
- \* Please follow the instructions closely; Do not over-tighten screws or bolts unless specified.
- \* After a few days from initial assembly, the product may adjust to the environment. Please retighten the hardware.

## Guideline For Assembling of Cam Lock (A &amp; B)





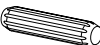

Screw camlock bolt (A) to wood part.

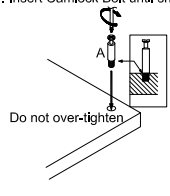
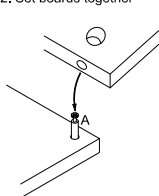
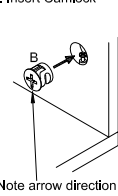
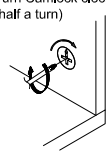
Do not assemble camlock (B) unless instructed.

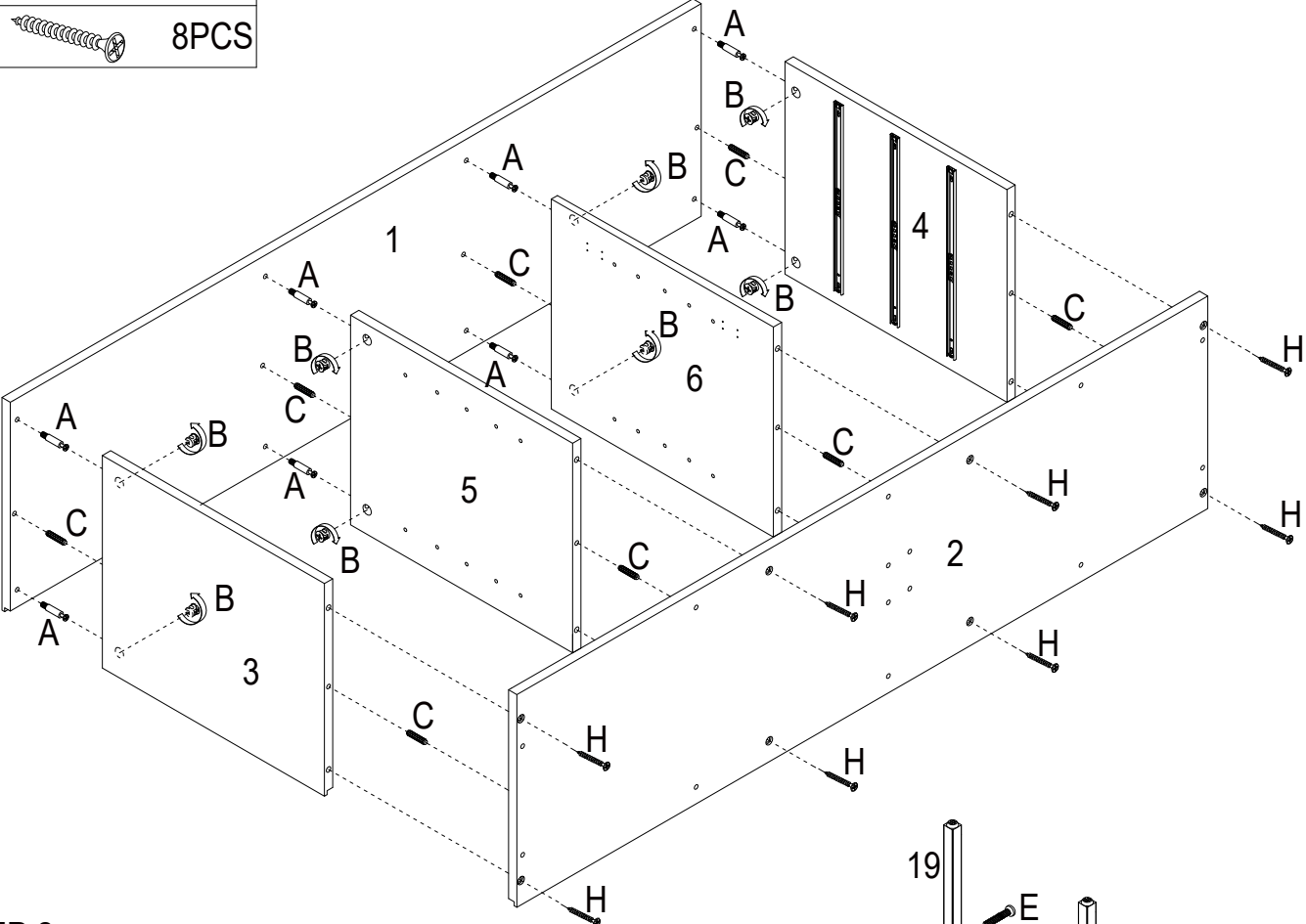
To assemble camlock (B), ensure long side of the + is facing the bolt (A) before inserting into hole.

# ASSEMBLY INSTRUCTIONS


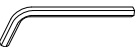
## STEP 1

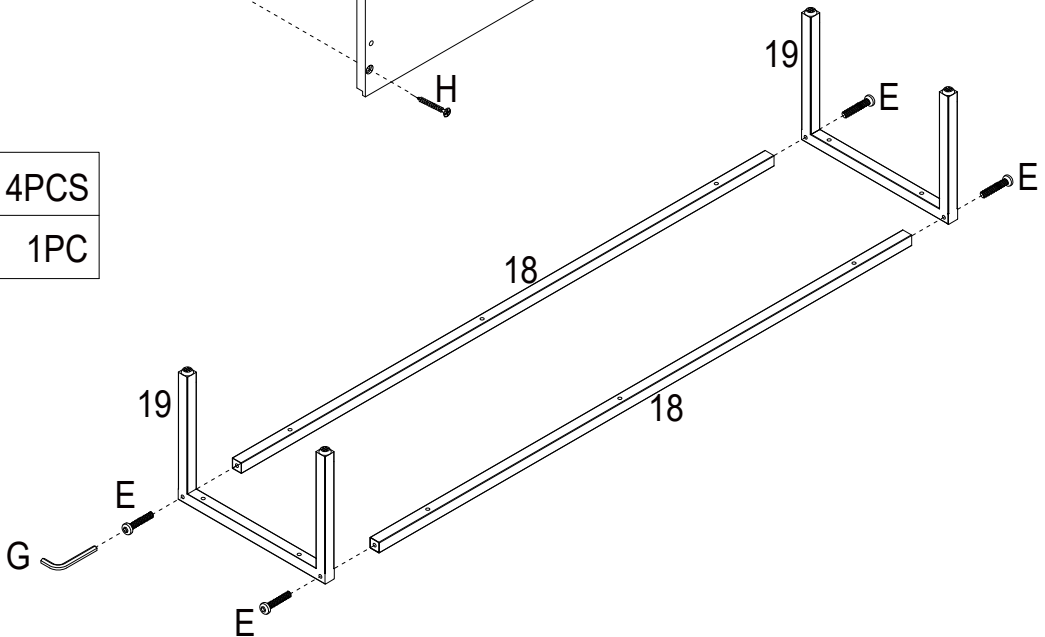
A:		8PCS
B:		8PCS
C:		8PCS
H:		8PCS

<p>1. Insert Camlock Bolt until snug</p>  <p>Do not over-tighten</p>	<p>2. Set boards together</p> 	<p>3. Insert Camlock</p>  <p>Note arrow direction</p>	<p>4. Turn Camlock clockwise (half a turn)</p>  <p>If it won't turn halfway, back out the Cam Pin until it does</p>
--	---	--	--





## STEP 2

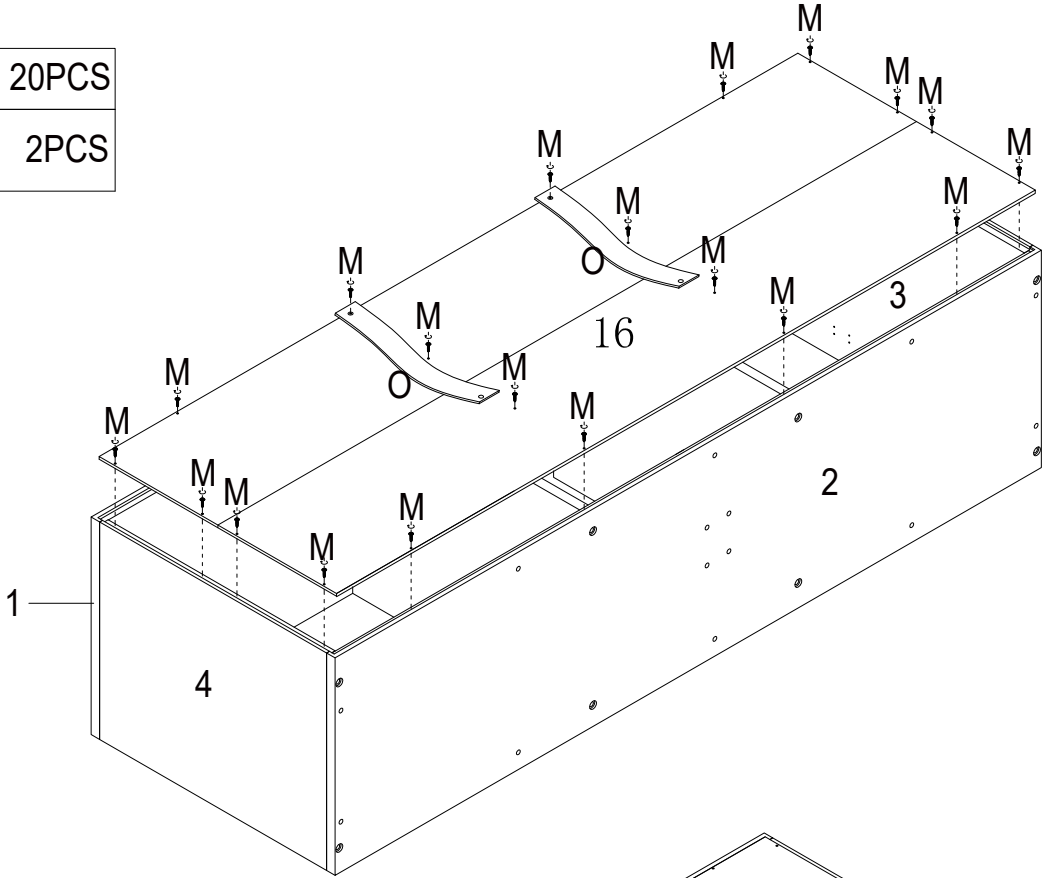
E:		4PCS
G:		1PC





# ASSEMBLY INSTRUCTIONS

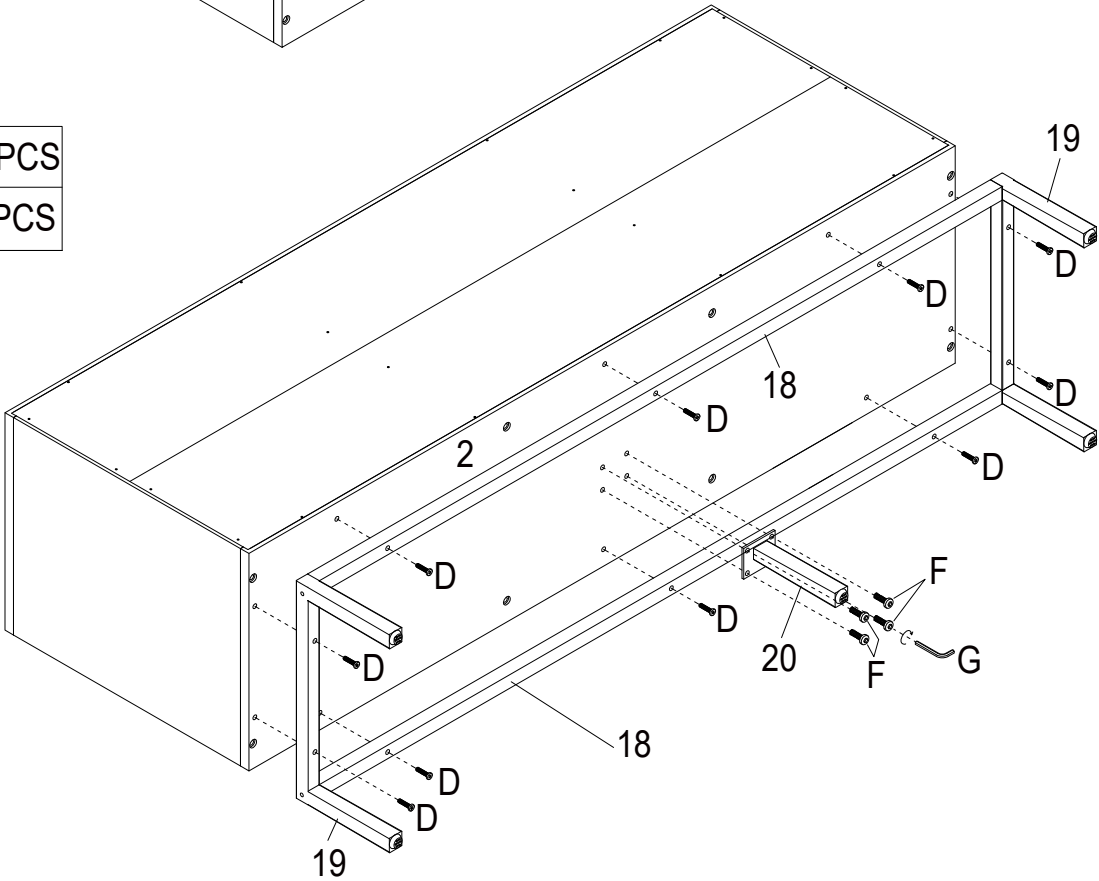
### STEP 3

- |    |   |       |
|----|---|-------|
| M: |  | 20PCS |
| O: |  | 2PCS  |



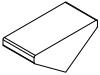

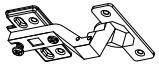

### STEP 4

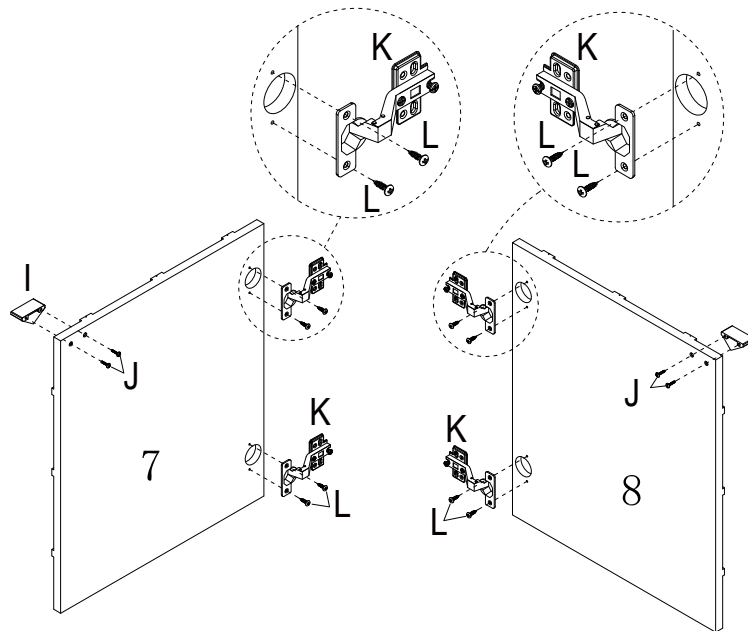
- |    |   |       |
|----|---|-------|
| D: |  | 10PCS |
| F: |  | 4PCS  |




# ASSEMBLY INSTRUCTIONS

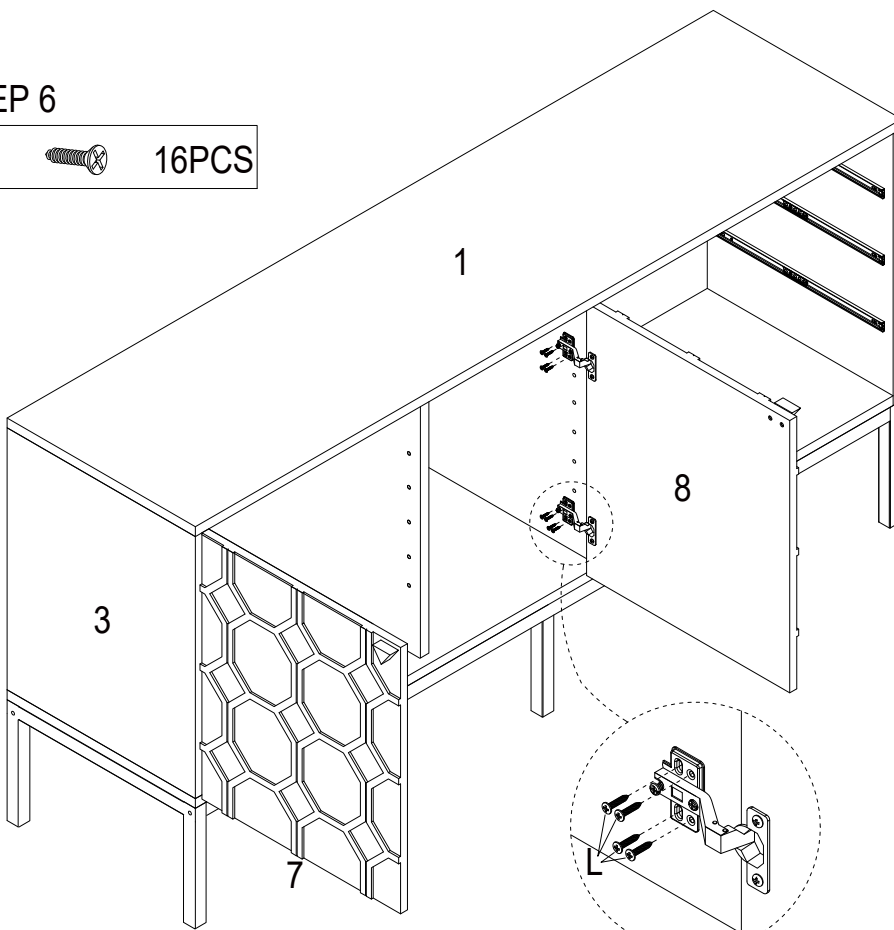
## STEP 5

I:		2PCS
J:		4PCS
K:		4PCS
L:		8PCS

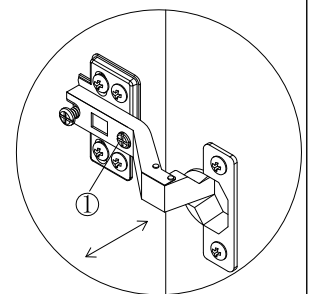


## STEP 6

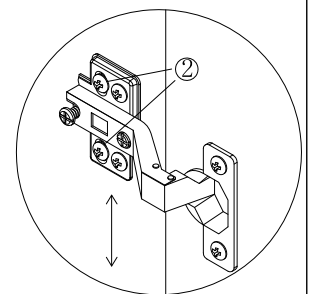
L:		16PCS
----	---	-------



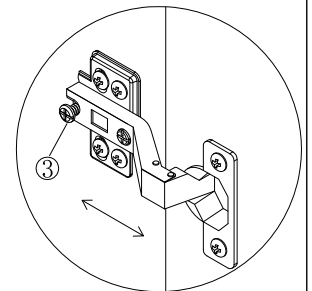
## DOOR FITTING



To adjust in width



To adjust in height



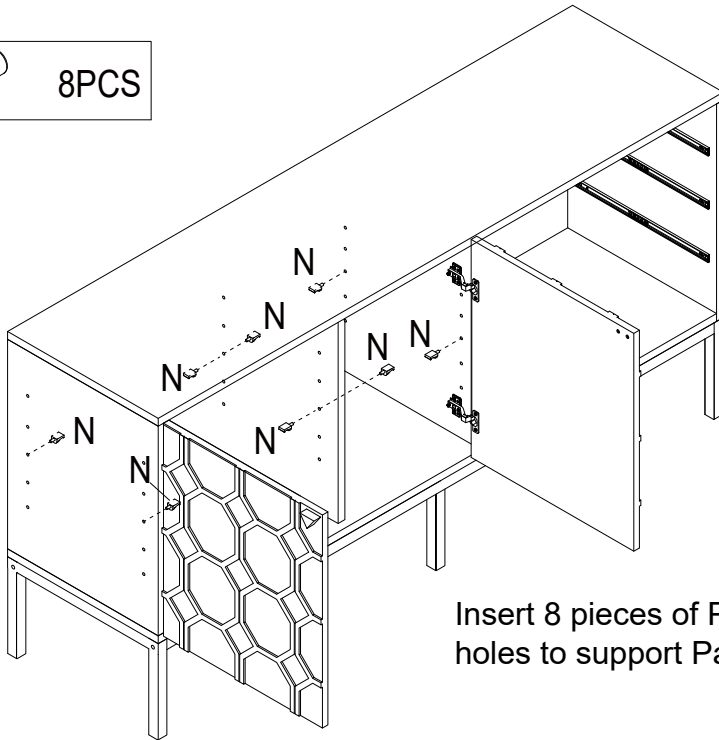
To adjust in depth

“To adjust door width: Loosen screws on Part K (Door fitting), shift door left/right, then retighten.” “To adjust door height: Adjust the vertical position of Part K and secure with Part L (Wood screw).”

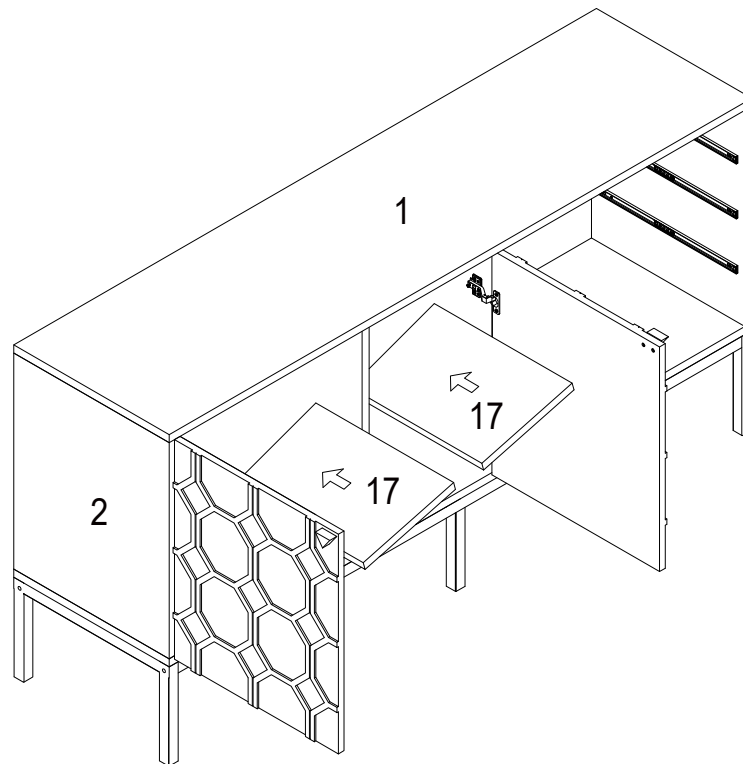
# ASSEMBLY INSTRUCTIONS

## STEP 7

N:  8PCS

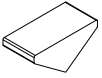




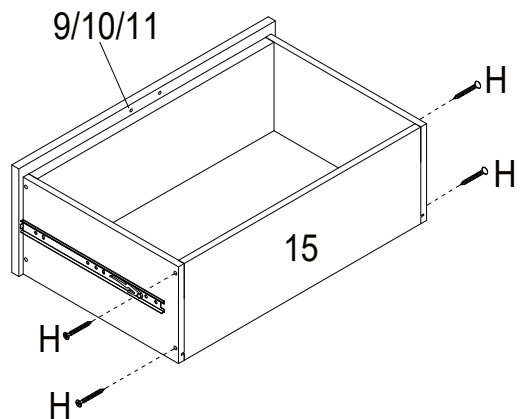
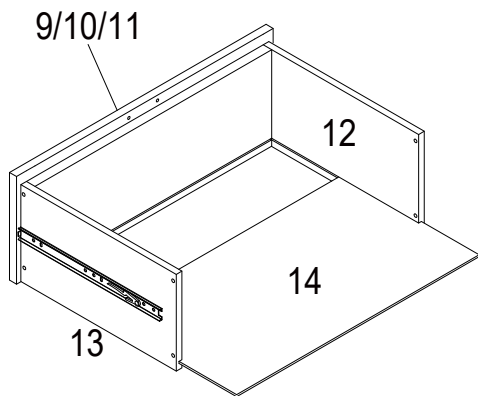
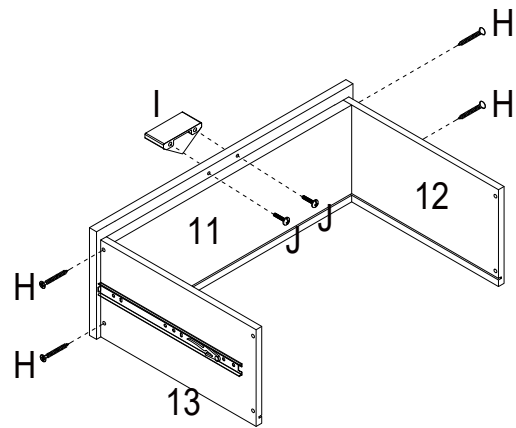
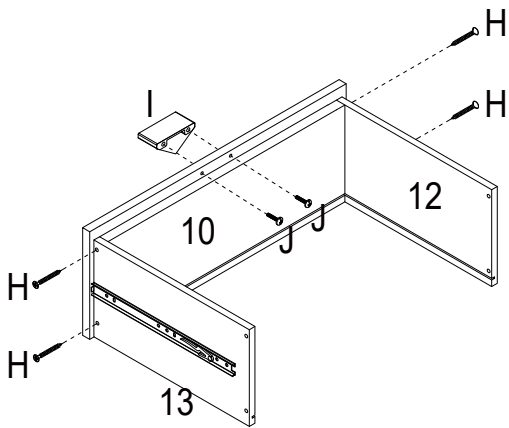
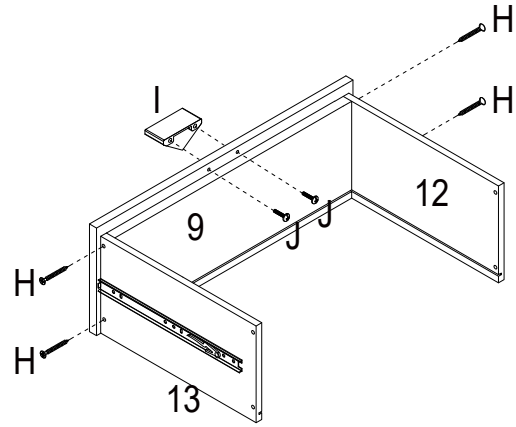
Insert 8 pieces of Part N (Shelf support) into pre-drilled holes to support Part 17 (Adjustable shelf)



# ASSEMBLY INSTRUCTIONS

## STEP 8

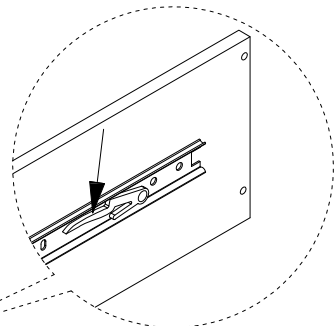
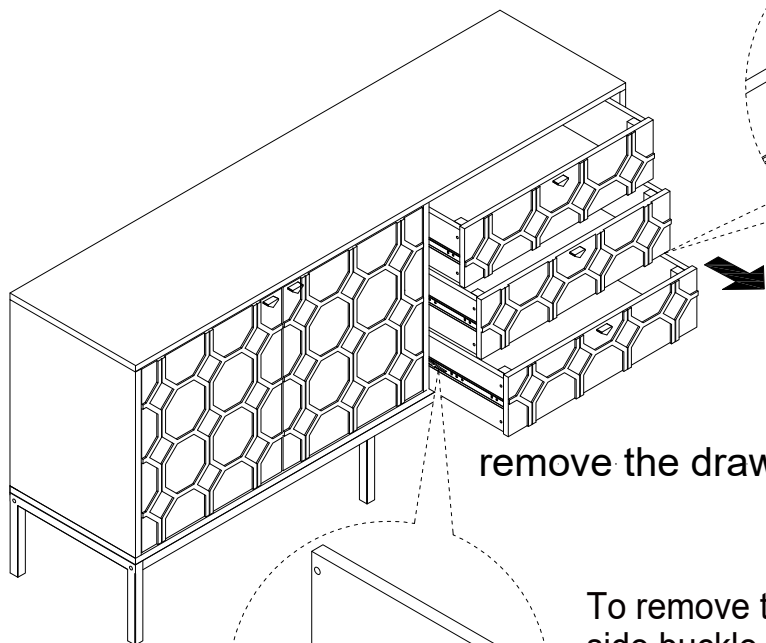
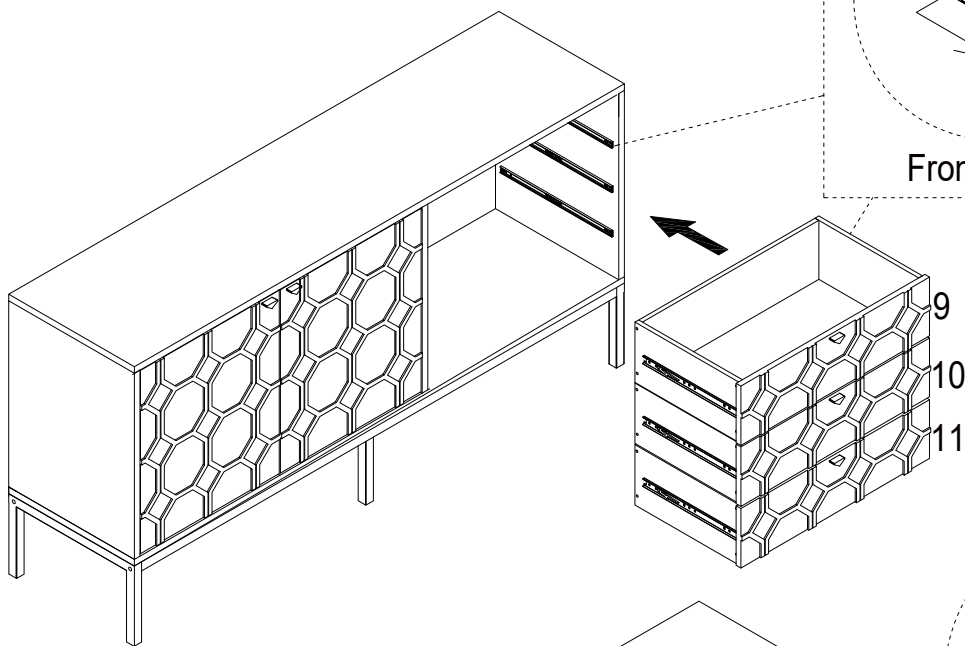
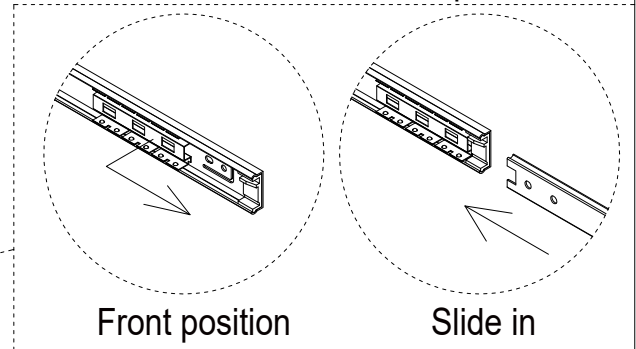
I:		3PCS
J:		6PCS
H:		24PCS



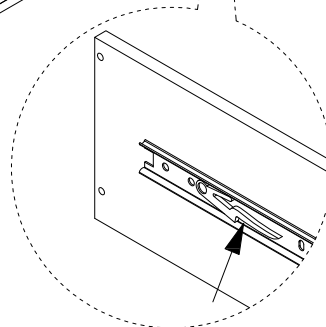
# ASSEMBLY INSTRUCTIONS

## STEP 9

Note: Extend the drawer slide rail to its front position before inserting the drawer. Push gently until the slide mechanism locks into place.




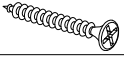

remove the drawer



To remove the drawer, lift up on the left side buckle and press down on the right side buckle, operating both left and right at the same time, and move outward to remove it.

# ASSEMBLY INSTRUCTIONS

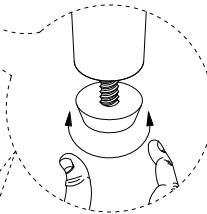
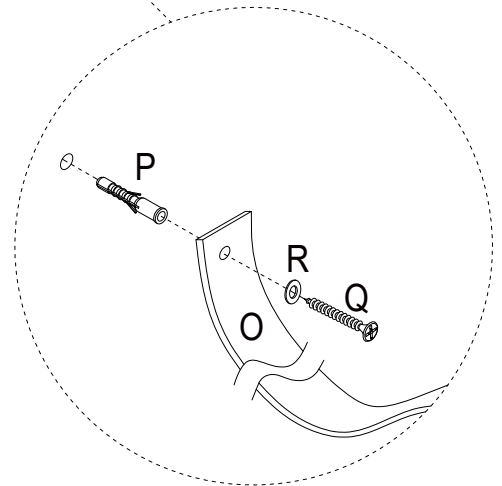
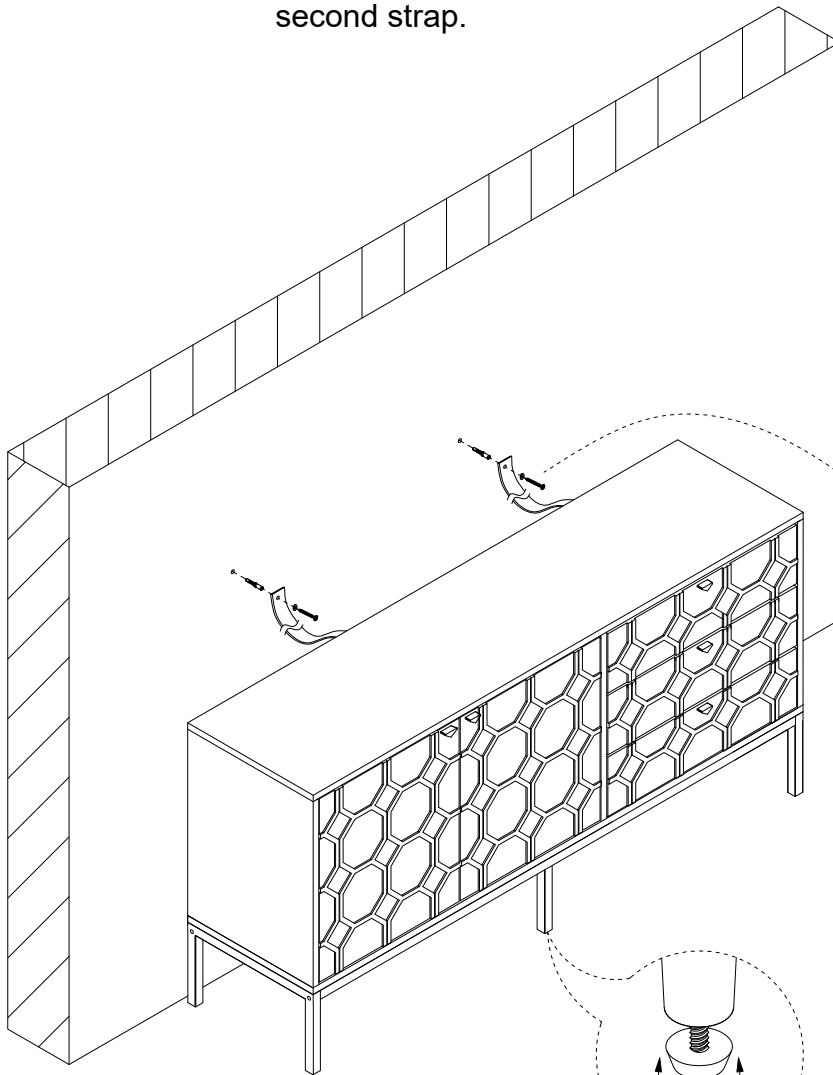
## STEP 10

P:		2PCS
Q:		2PCS
R:		2PCS

Mark the wall at the height matching the pre-drilled holes on the back panel.

Drill a 1/8" hole, insert Plastic anchor (Part P) into the hole.

Place Washer (Part R) over Mounting screw (Part Q), then drive the screw through Safety wall strap (Part O) and into the anchor. Tighten until the strap is snug against the wall. Repeat for the second strap.



After installation, adjust the adjustable foot to keep the cabinet balanced and align the door.

For safety reasons, it is recommended to install safety wall strap to fix the item.