



Warnings and Cautions

Please retain this instruction for future usage and read carefully before assembly.

Make sure you have all the parts & hardware as item list shows.

3 adults or more are recommended to install your Sunroom.

Do not discard any of the packaging until you have checked that you have all the parts and pack of fittings.

Check all bolts for tightness before use, and periodically check and tighten bolts ensure your gazebo works properly.

Some parts might have sharp edge/corners/Please follow basic safety precautions to reduce the risk of hurts.

Avoid installing and settling the solarium in a corridor of heavy wind.

Some assembly parts contain sharp edges, you should wear protective gloves when handling these items.

For safety issues you must not leave the unit unattended if it is not completed, even if it is already anchored to the ground.

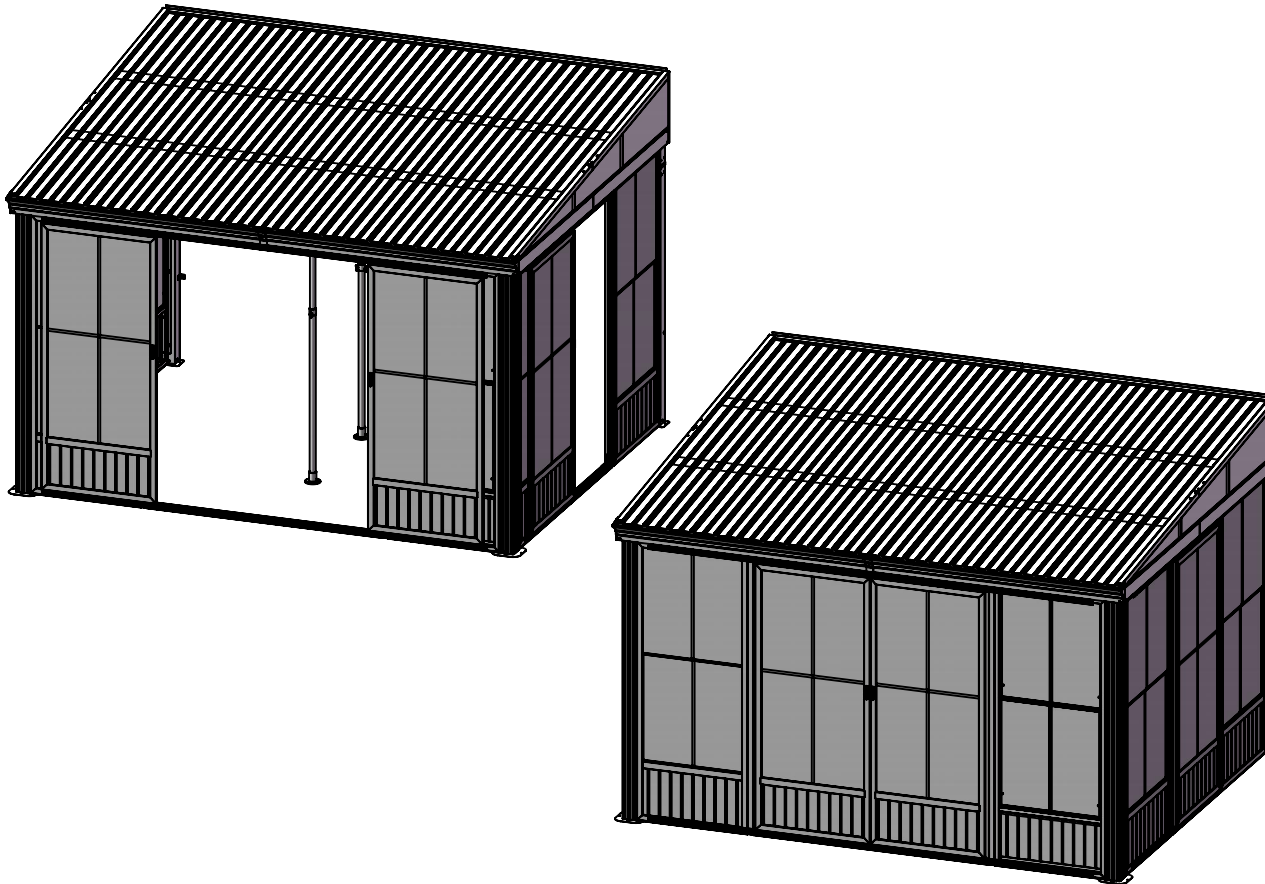
*It is essential to place the gazebo on level ground and not less than **6 feet** from any obstruction such as fences, garages, overhanging branches, laundry lines, or electrical wires.*

If you have questions or concerns.

*Please contact us via email at **service@domioutdoorliving.com***

Domi outdoor living

domi
outdoor living

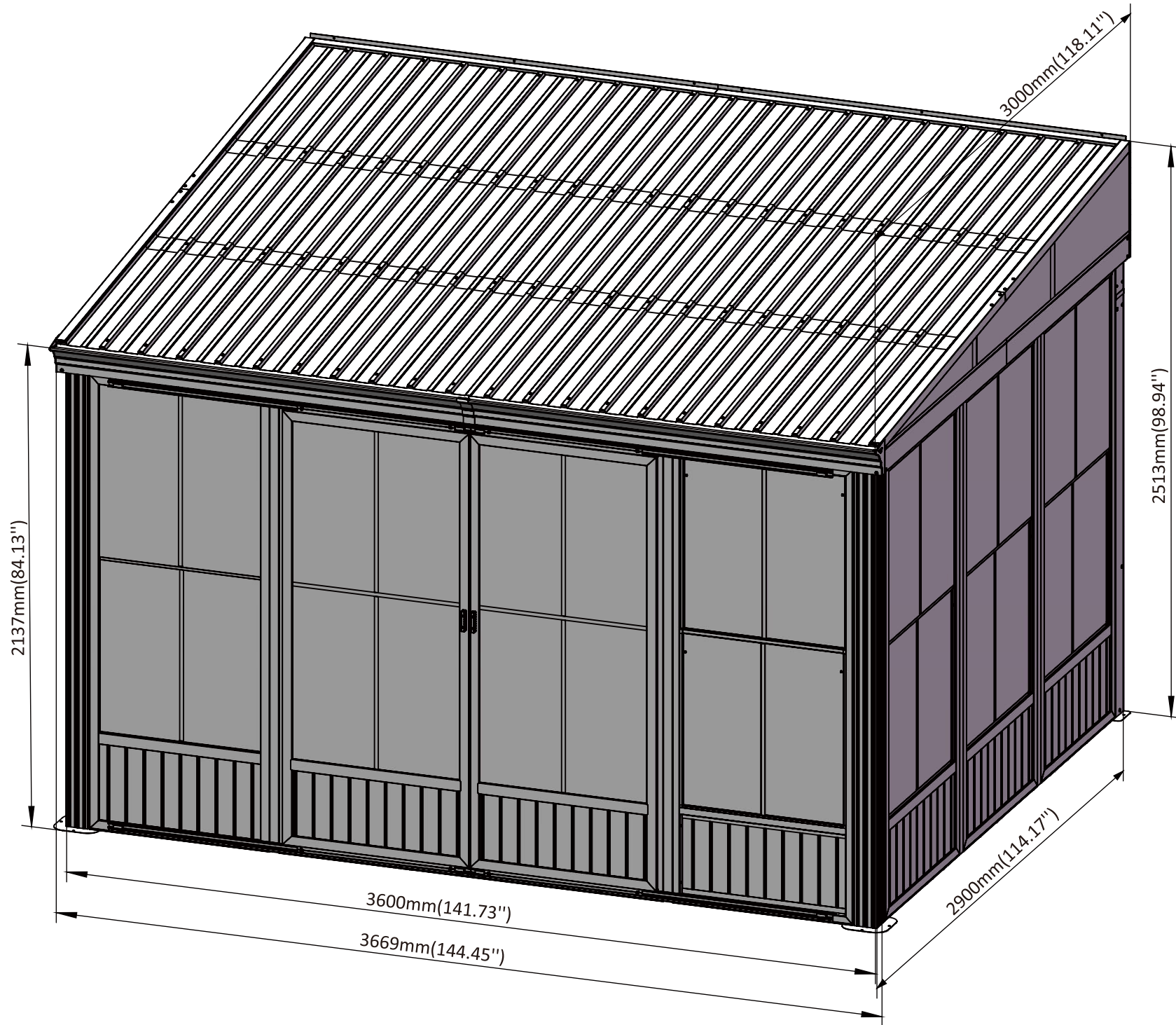


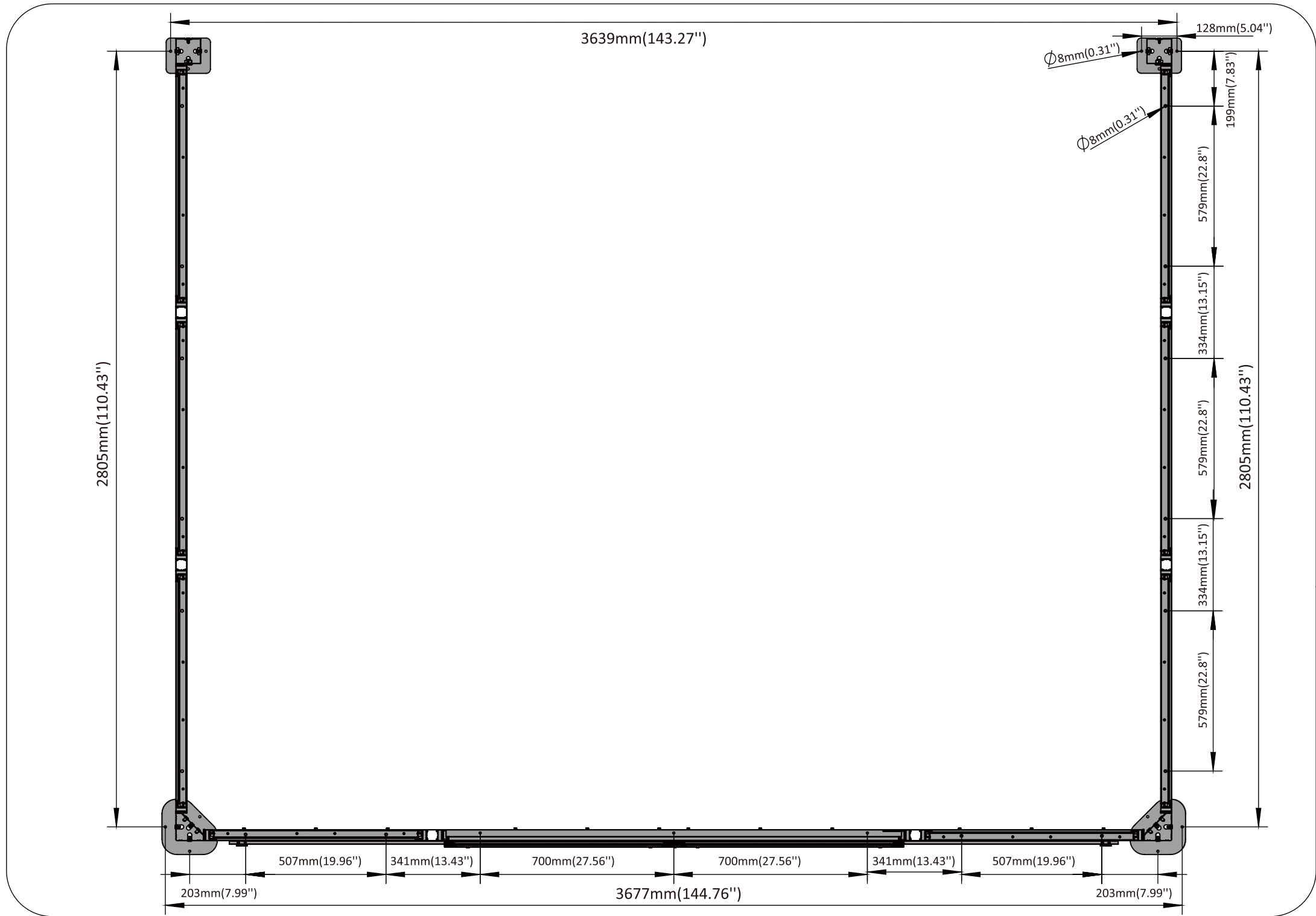
10'X12'

SKU:LGMF1612A

Solarium Wall-Mounted
Sunroom

ASSEMBLY MANUAL





Thank you for your purchase of
Domi outdoor living's Sunroom

Read and follow this assembly and operation guide.

To reduce personal injury and damage to you Sunroom

We recommend a **three-person team** for assembly and disassembly.

Please **remove** snow accumulation at all times.

Please schedule enough time to complete the assembly of the sunroom.

It will takes approximately 7 hours to set up.

If you like our products, please tell other customers

If you have problem with our products, please tell us

Please feel free to contact us.

DOMI OUTDOOR LIVING

domi
outdoor living

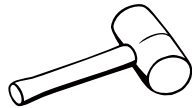
Pre-assembly

TOOLS THAT MAY BE REQUIRED (Not included in boxes)

*NOTE: Tools / equipment are not shown to actual size and scale.



LEVEL



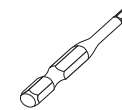
RUBBER Mallet



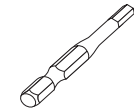
PHILLIPS SCREW



DRILL



ALLEN KEY



ALLEN KEY

EQUIPMENT REQUIRED (Not included in boxes)

*NOTE: Equipment are not shown to actual size and scale.



SAFETY HAT



GLOVES



SAFETY GOGGLES



STEPLADDER

Matters needing attention



1. Three or more people are required for assembly.



2. Do not fully tighten screws prior to complete assembly.

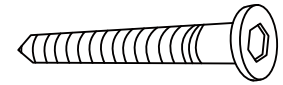
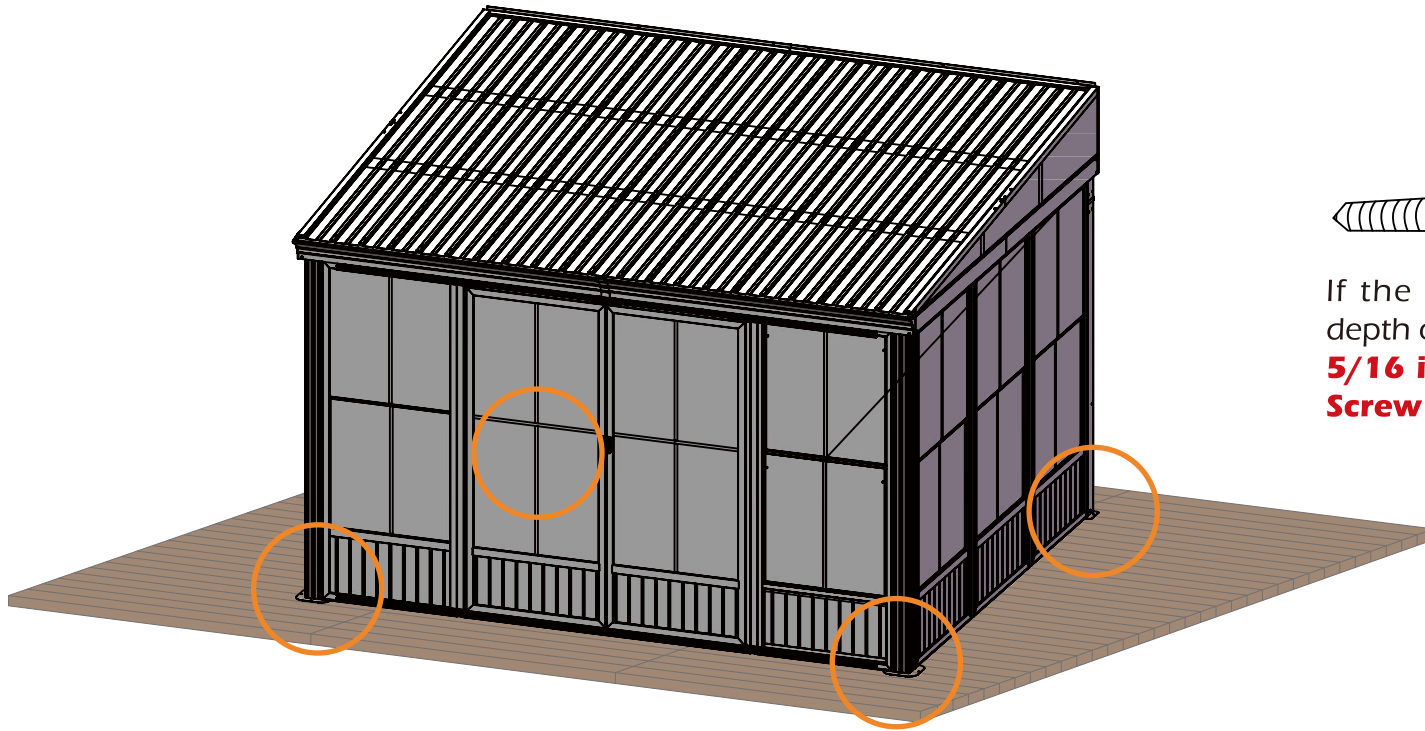
Regulation

IMPORTANT: A sunroom may entail to purchase a municipal permit or be subject to specific building codes. It is the consumer's responsibility to inform themselves of any restrictions.

Care and Cleaning:

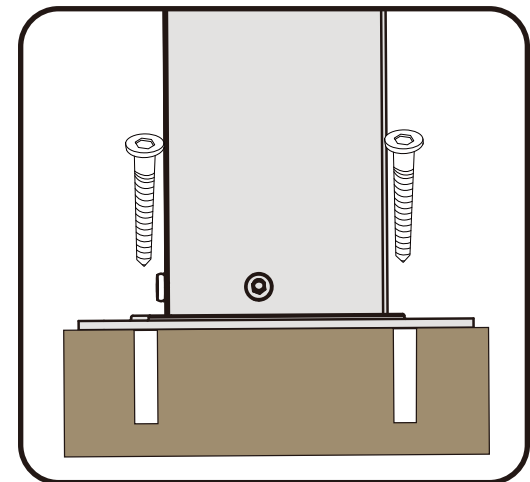
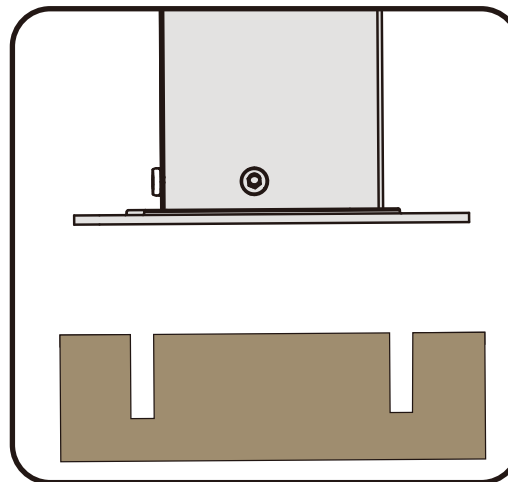
For cleaning, use a domestic soap or detergent and wash with warm water using a sponge or fabric. Rinse with clean water.

1

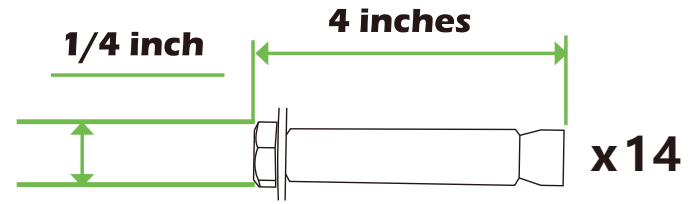
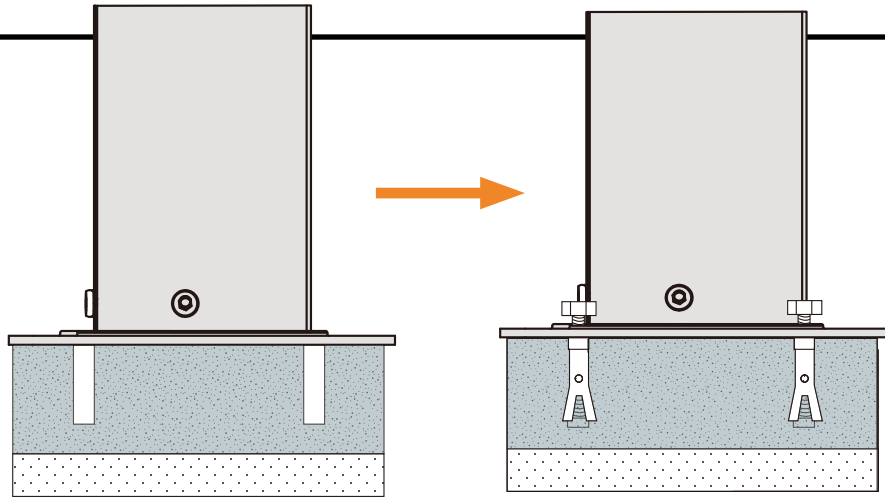


x14

If the deck is hard wood and the depth of it is over 3 inch, you can use **5/16 in. x4 in. Structural Wood Screw** to mount the pergola.

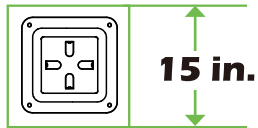
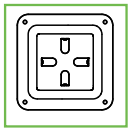


2

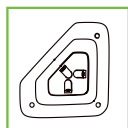


If the ground is concreted and the depth of it is over 3 inch, you can use 1/4 inch expansion bolts to mount the pergola

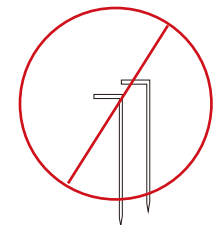
3

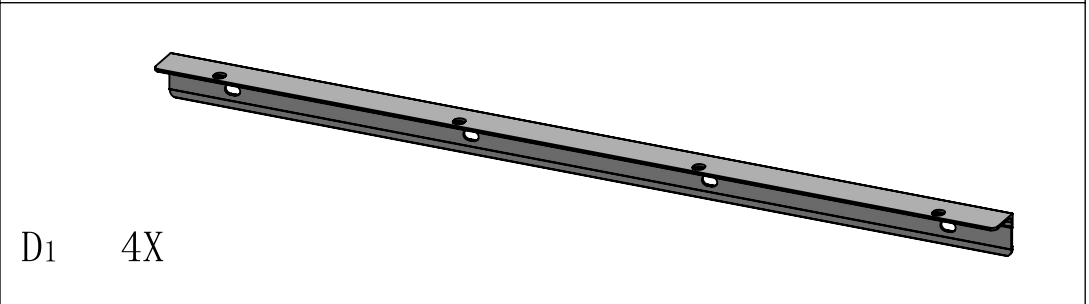
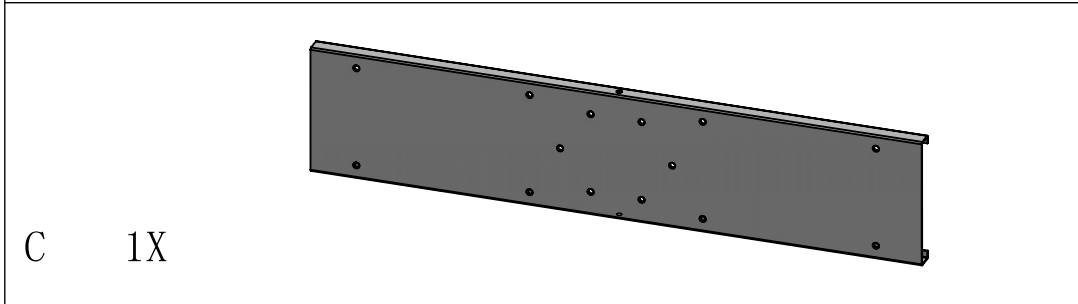
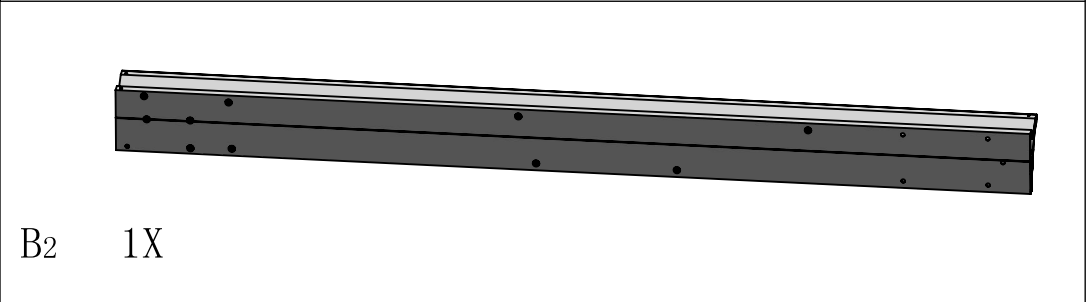
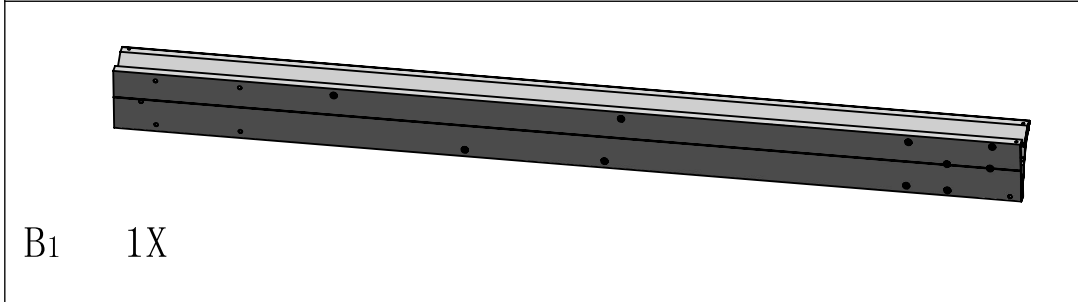
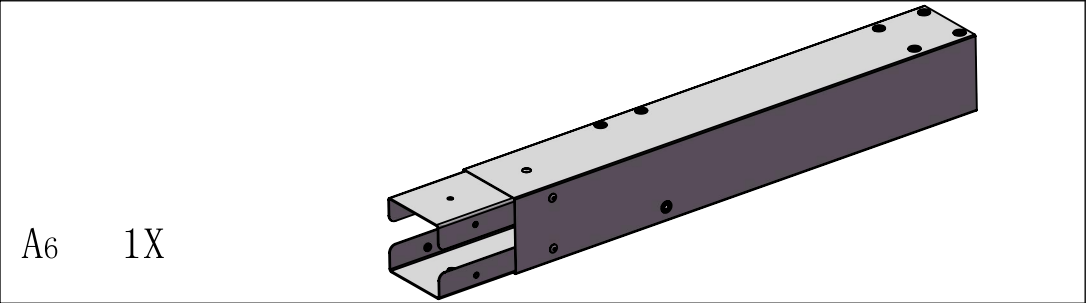
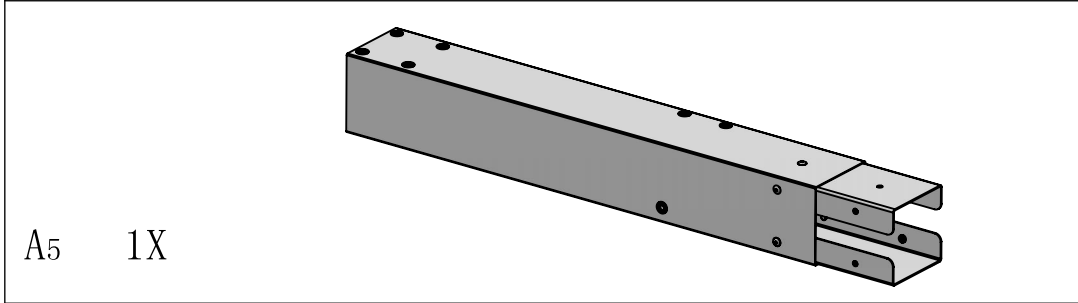
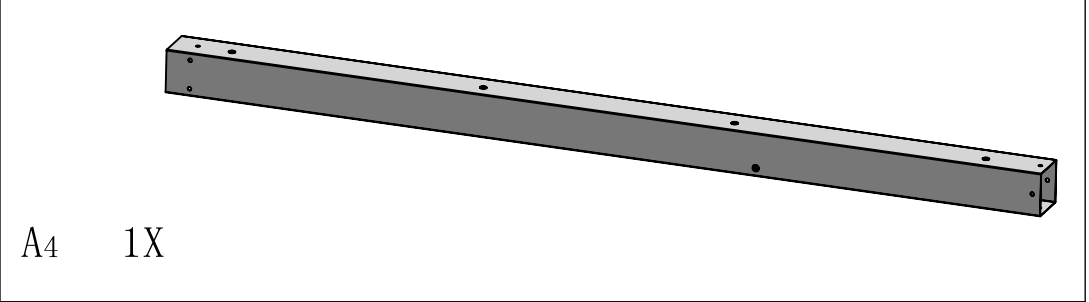
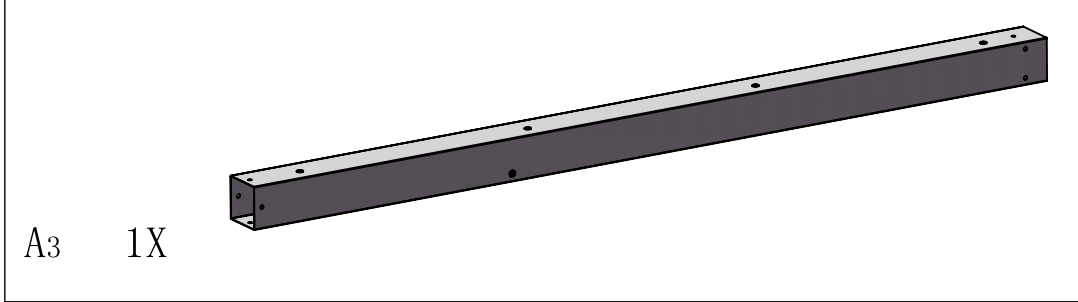
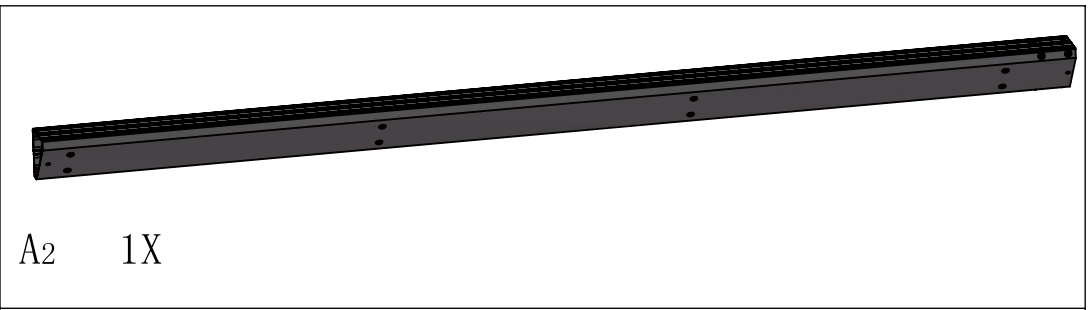
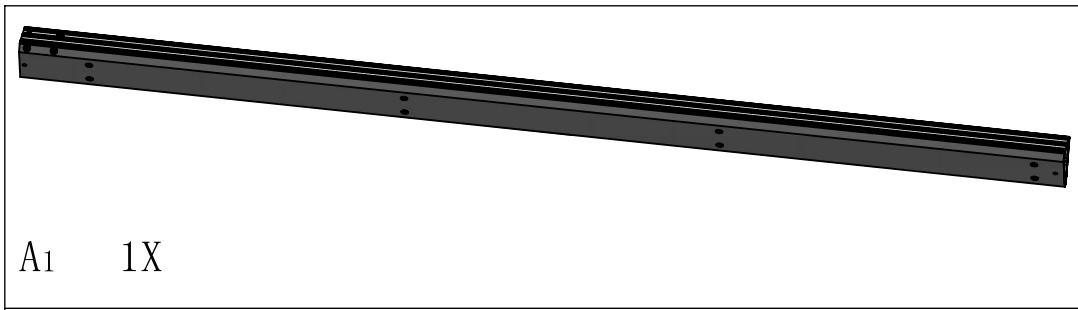


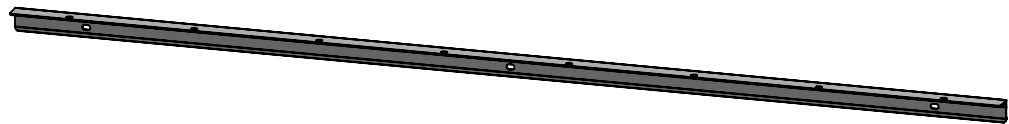
Or you can make a concrete inground base, **15×15×15 inches** is recommended. use expansion bolts to mount the pergola like 2 shows.



IMPORTANT:
Anchor is not recommended



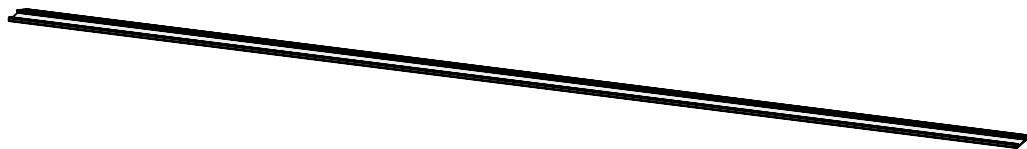




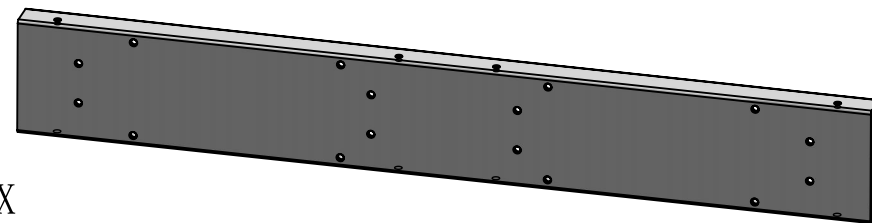
D₂ 8X



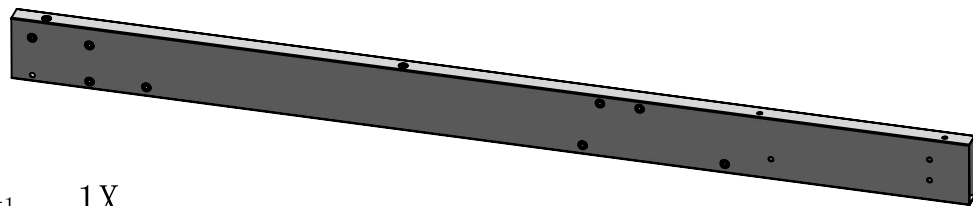
E₁ 4X



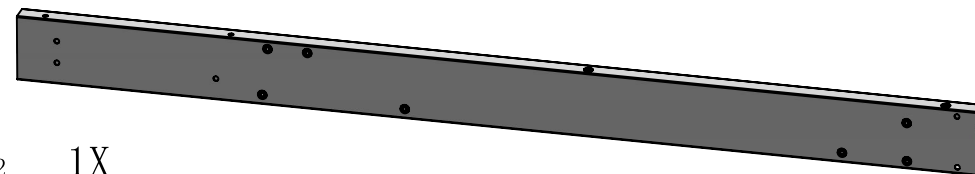
E₂ 2X



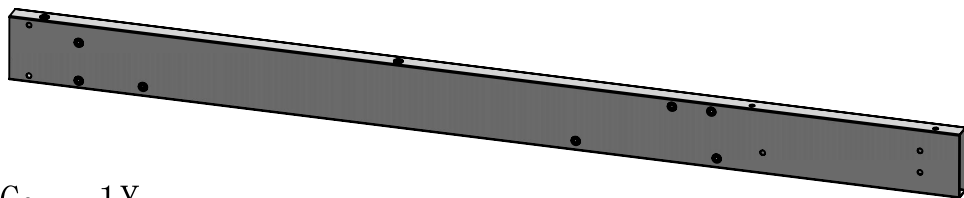
F 5X



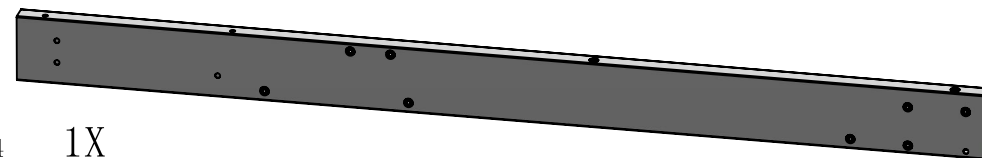
G₁ 1X



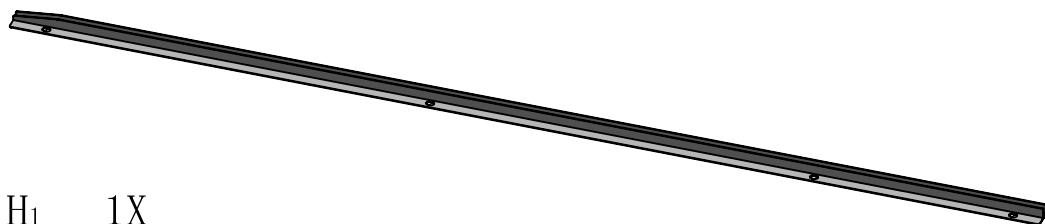
G₂ 1X



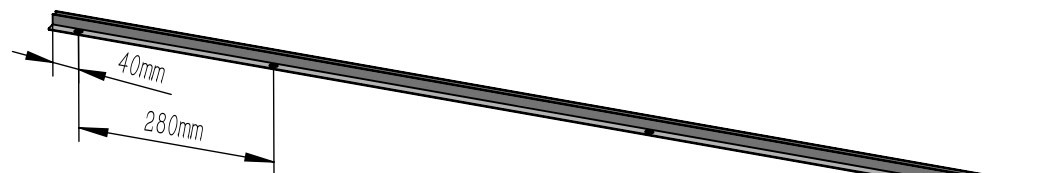
G₃ 1X



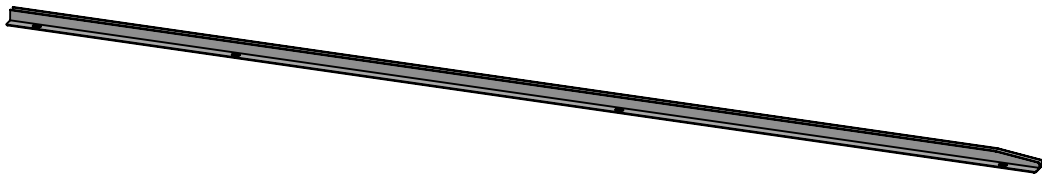
G₄ 1X



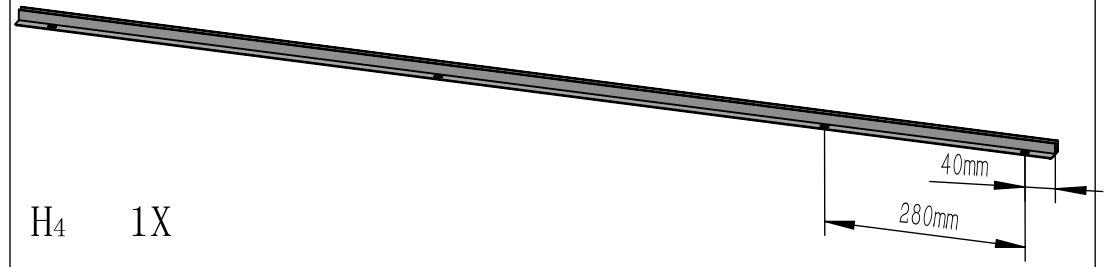
H₁ 1X



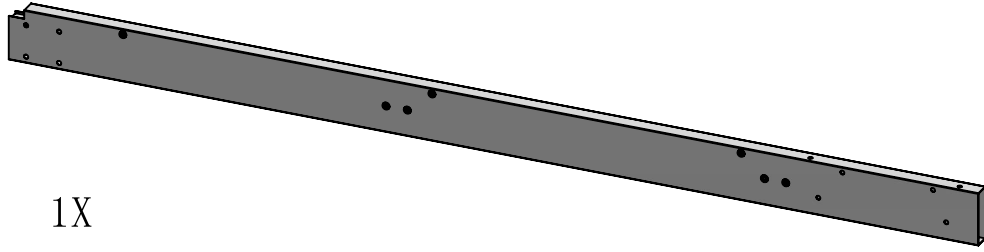
H₂ 1X



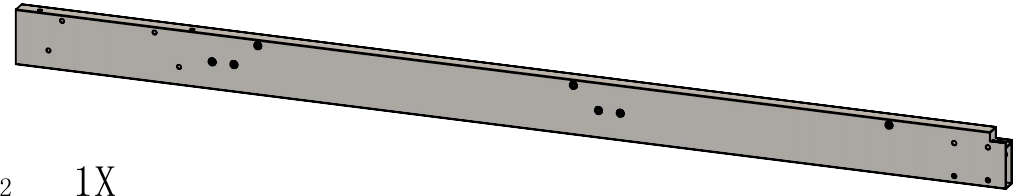
H₃ 1X



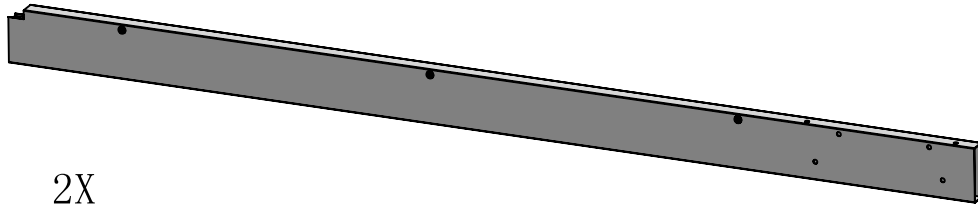
H₄ 1X



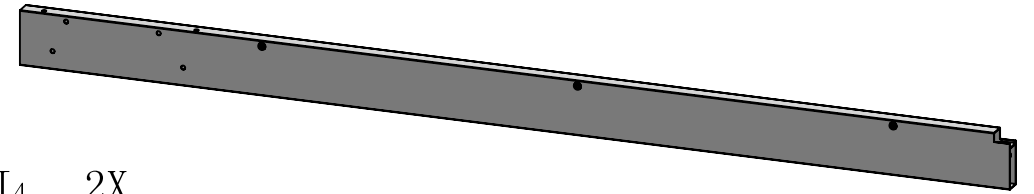
I₁ 1X



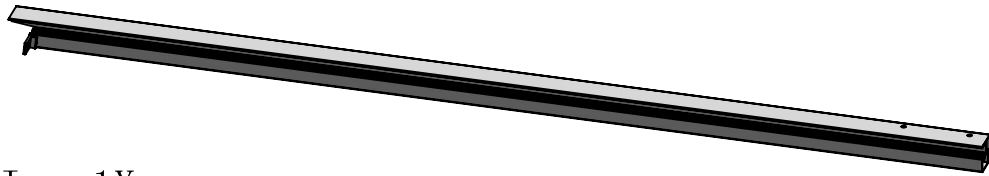
I₂ 1X



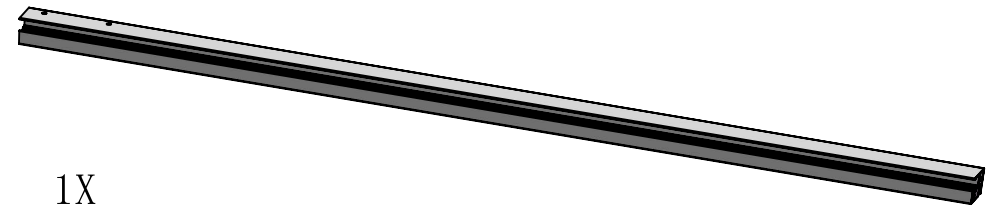
I₃ 2X



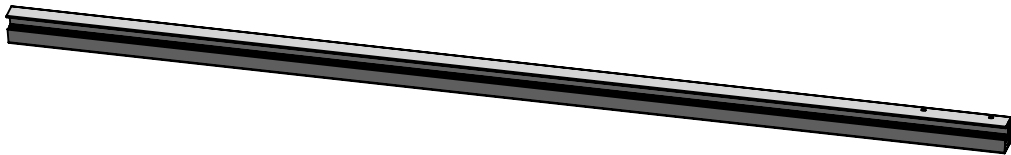
I₄ 2X



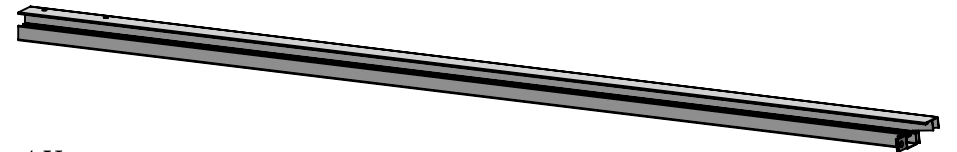
J₁ 1X



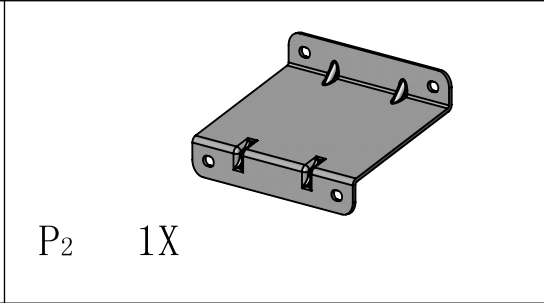
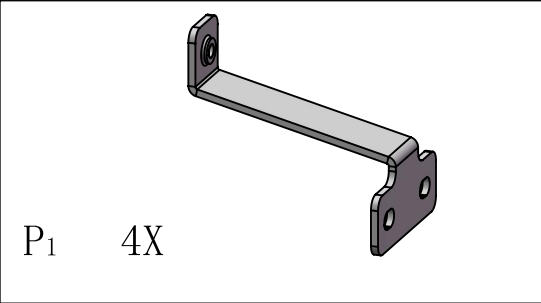
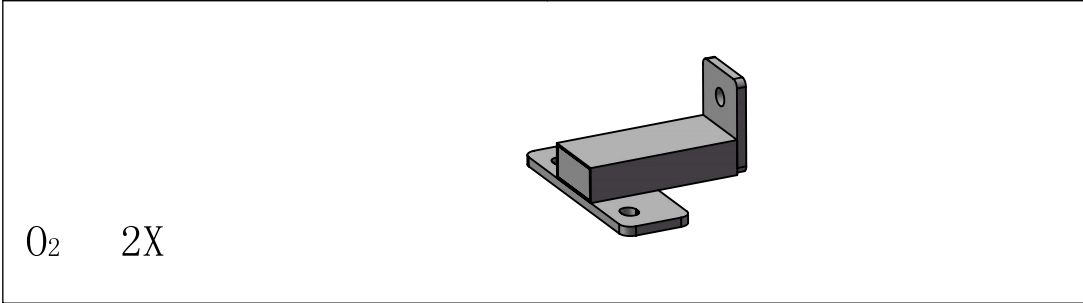
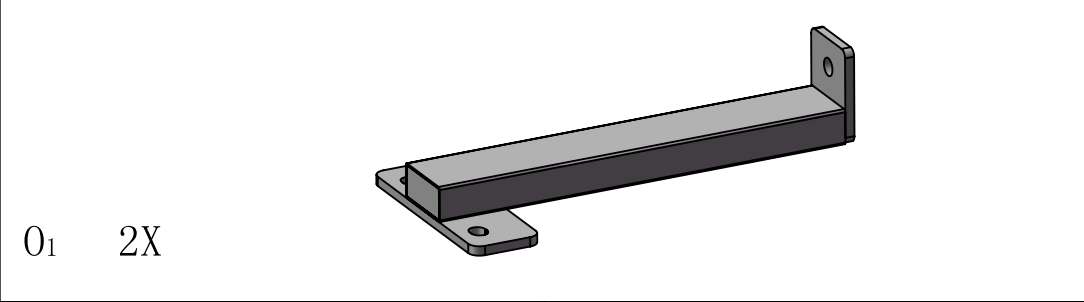
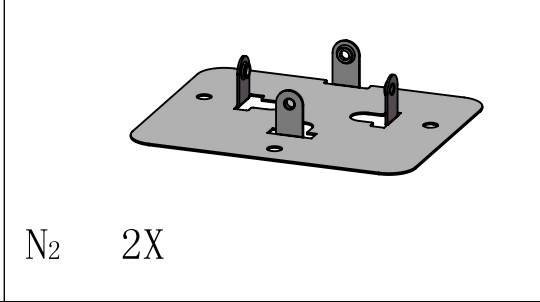
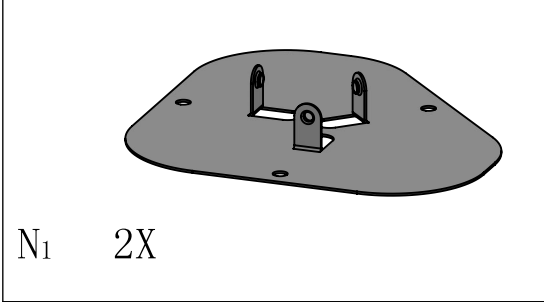
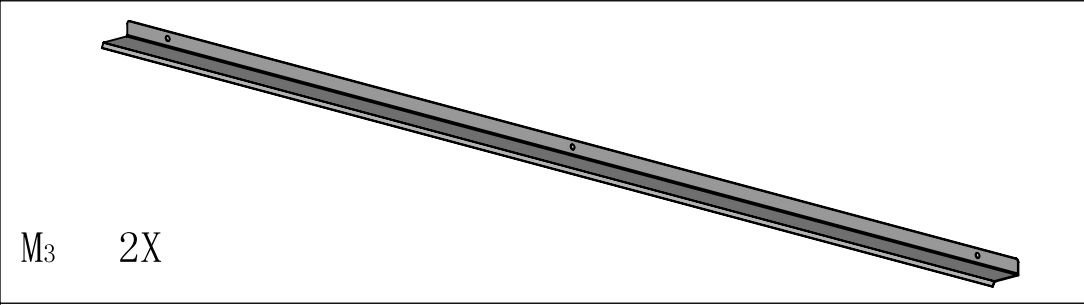
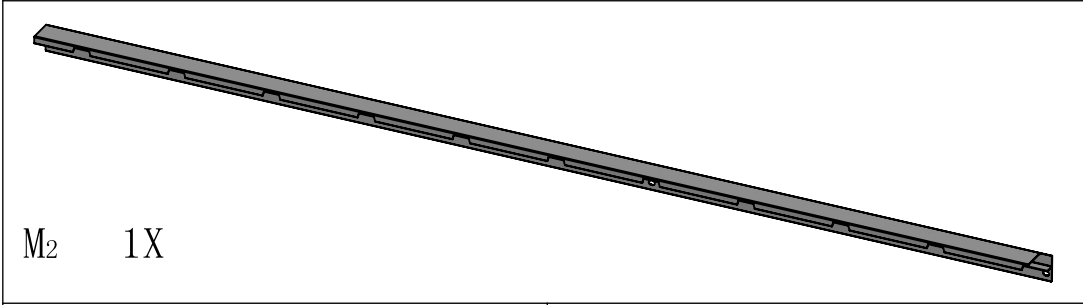
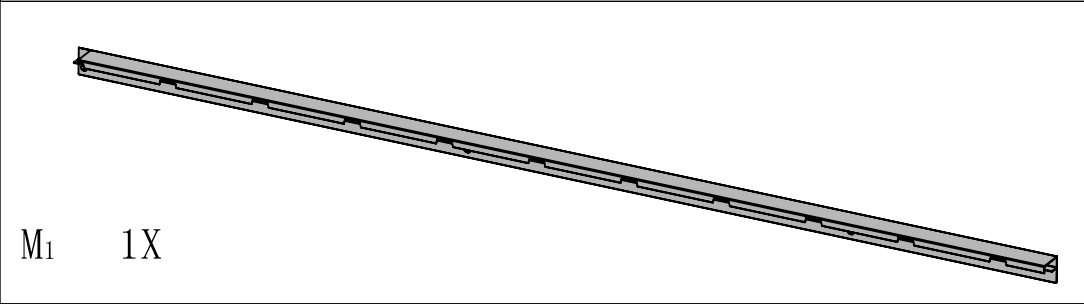
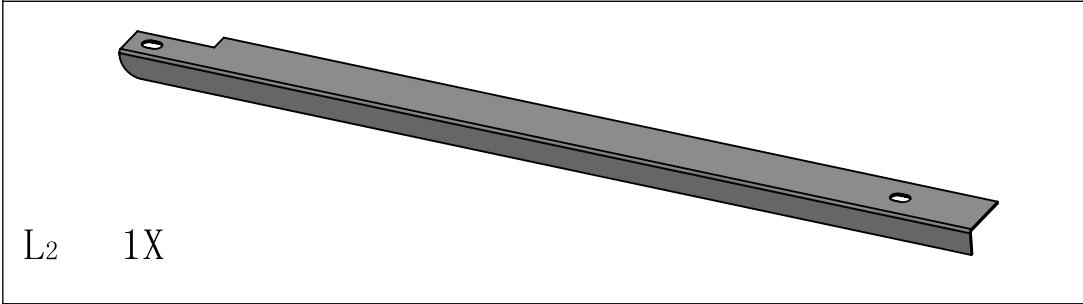
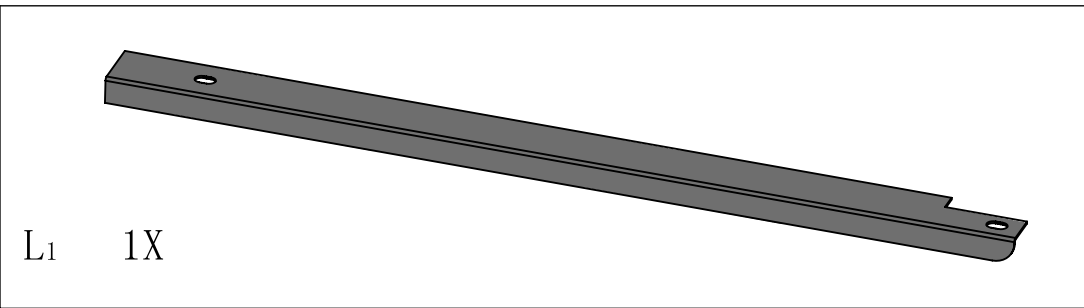
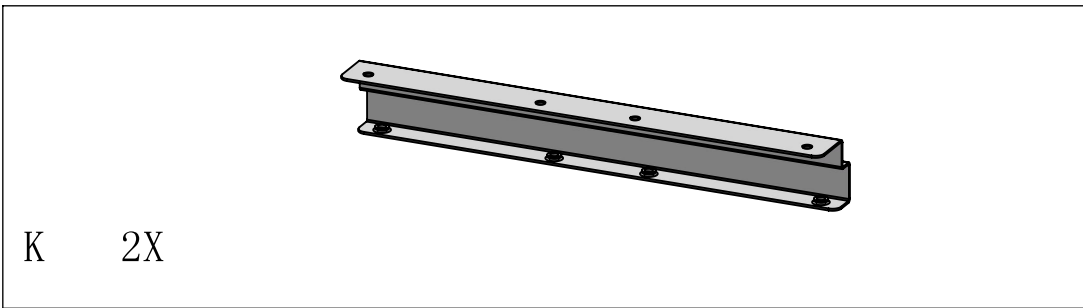
J₂ 1X



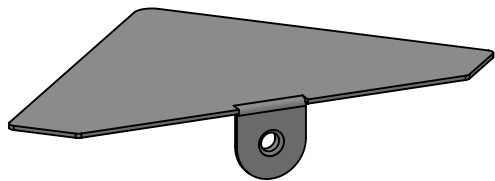
J₃ 1X



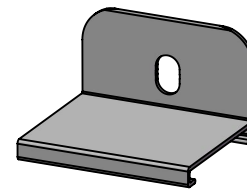
J₄ 1X



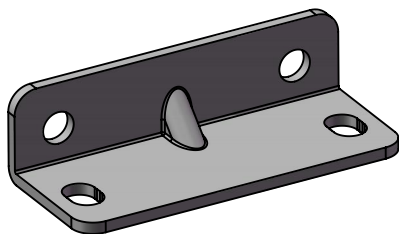
Q 2X



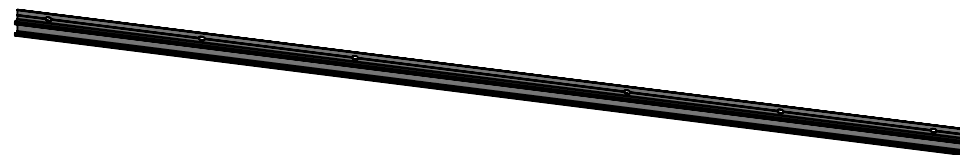
R₁ 20X



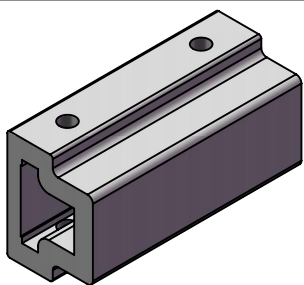
R₂ 6X



S₁ 4X



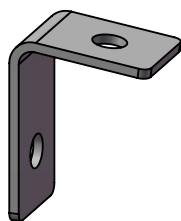
S₂ 12X



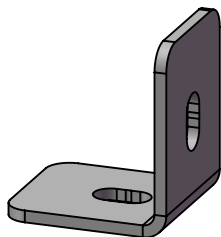
S₃ 2X



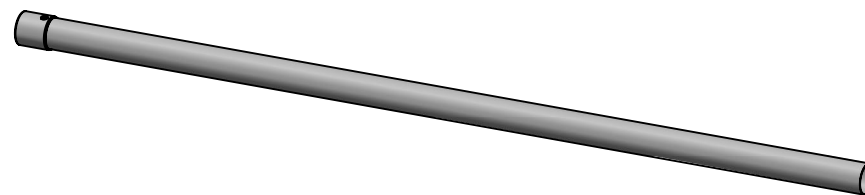
T₁ 6X



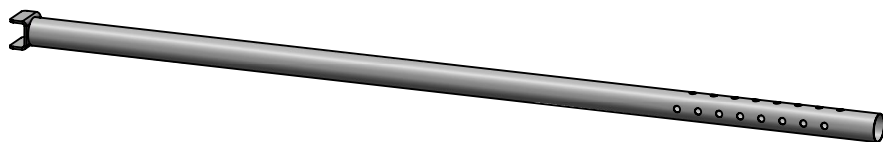
T₂ 4X



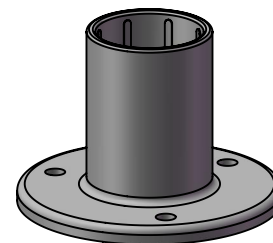
U₁ 2X



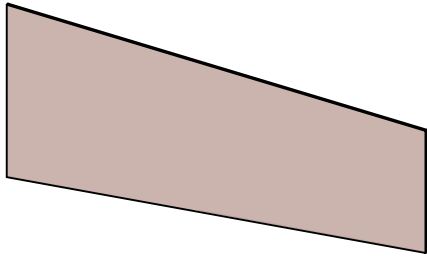
U₂ 2X



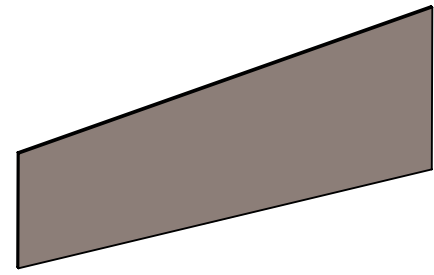
U₃ 2X



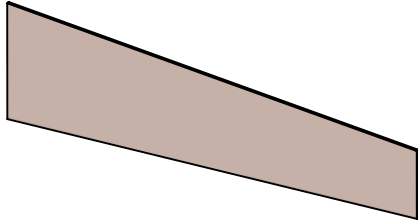
V₁ 1X



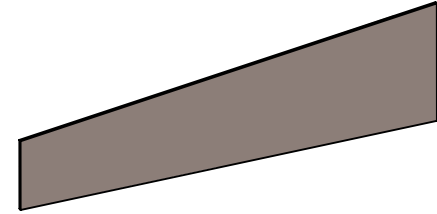
V₂ 1X



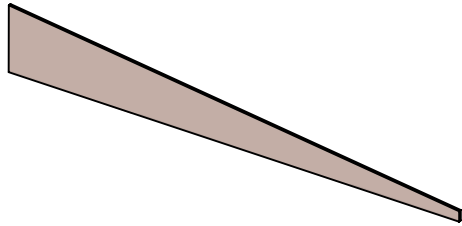
V₃ 1X



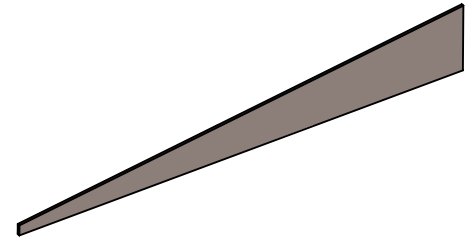
V₄ 1X



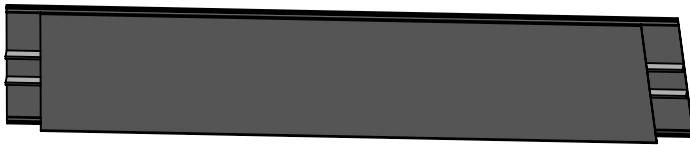
V₅ 1X



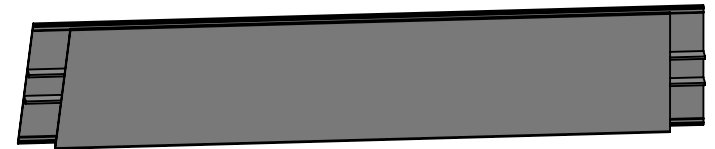
V₆ 1X



V₇ 1X



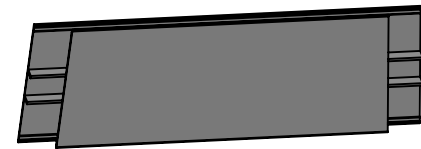
V₈ 1X



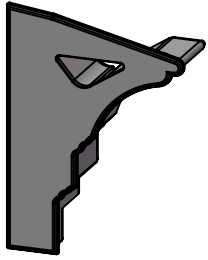
V₉ 1X



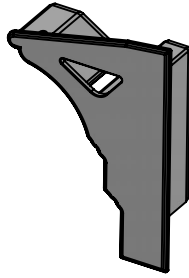
V₁₀ 1X



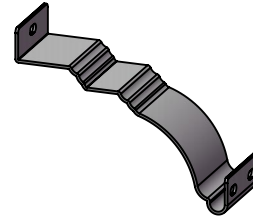
W₁ 1X



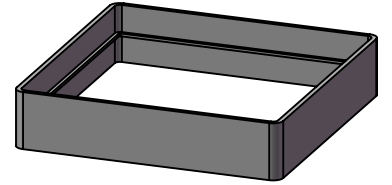
W₂ 1X



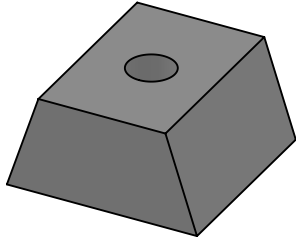
W₃ 1X



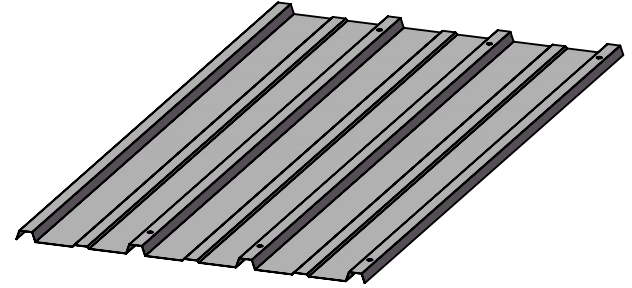
W₄ 2X



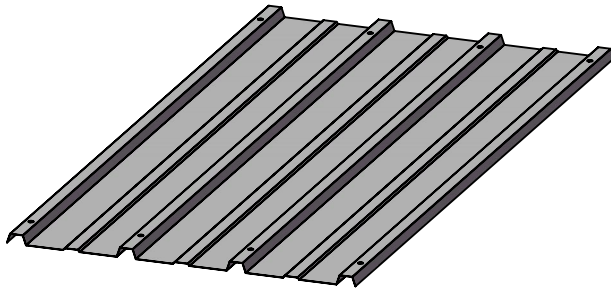
X 80X



Y₁ 6X



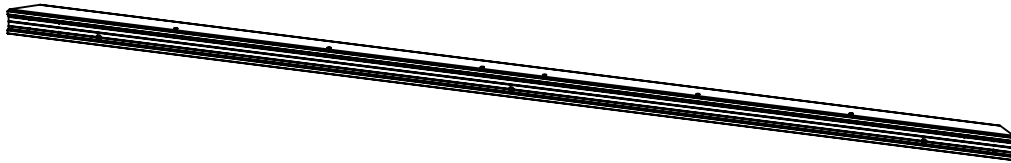
Y₂ 15X



Z₁ 1X



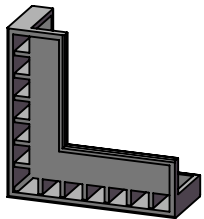
Z₂ 1X



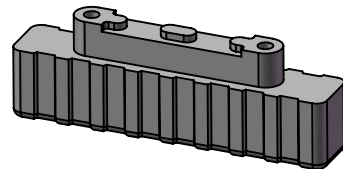
Z₃ 3X



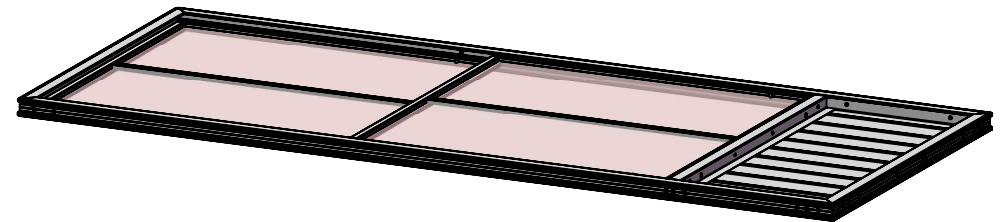
Z₄ 8X

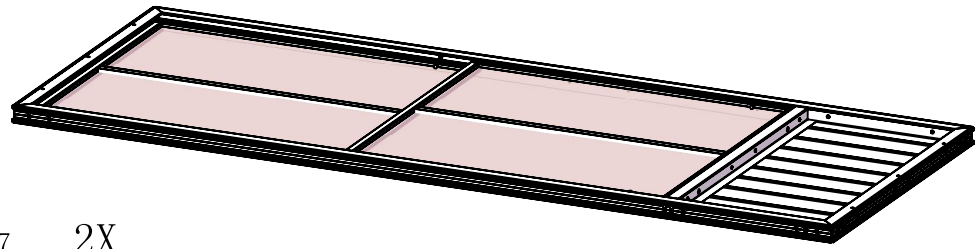


Z₅ 4X

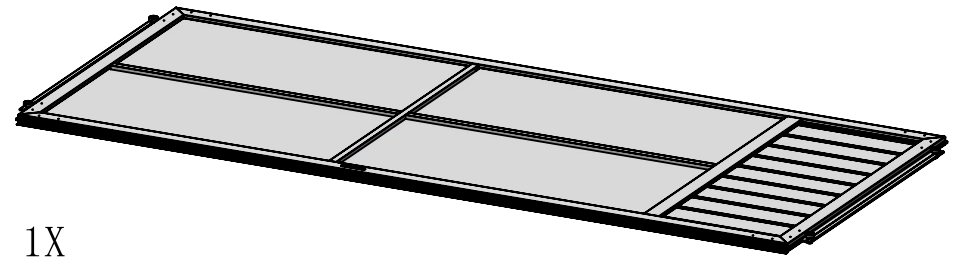


Z₆ 4X

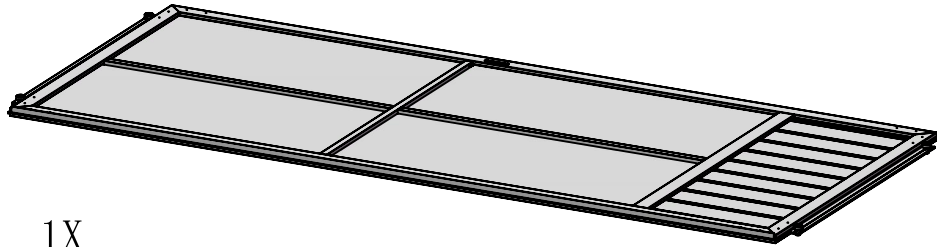




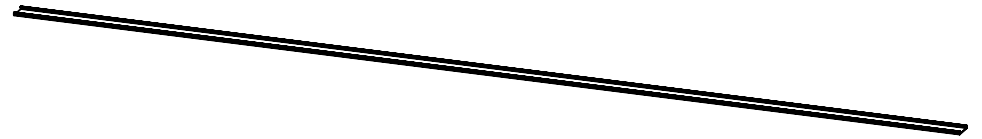
Z7 2X



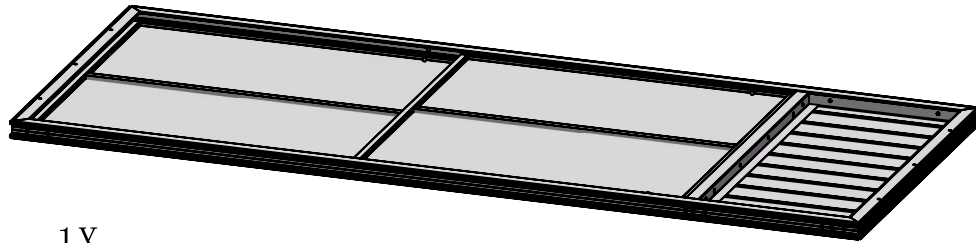
Z8 1X



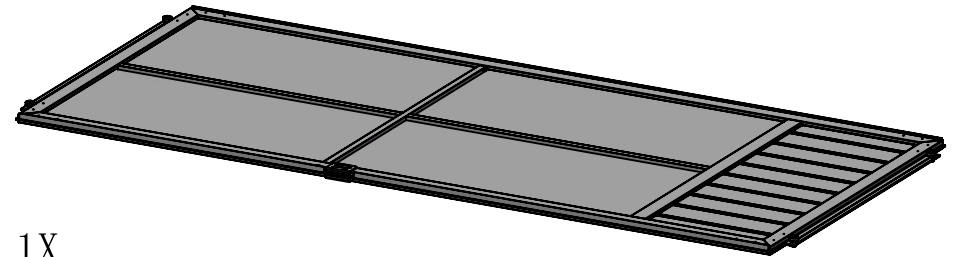
Z9 1X



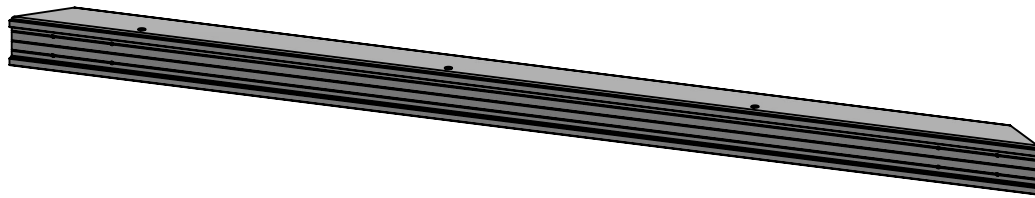
Z10 12X



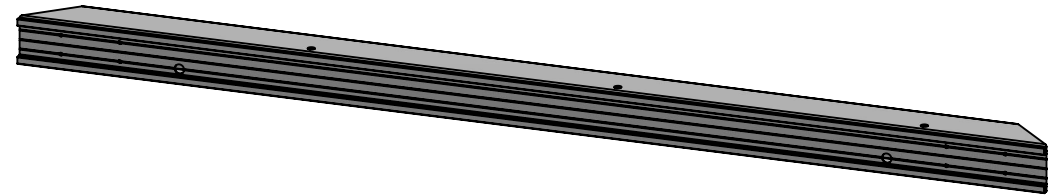
Z11 1X



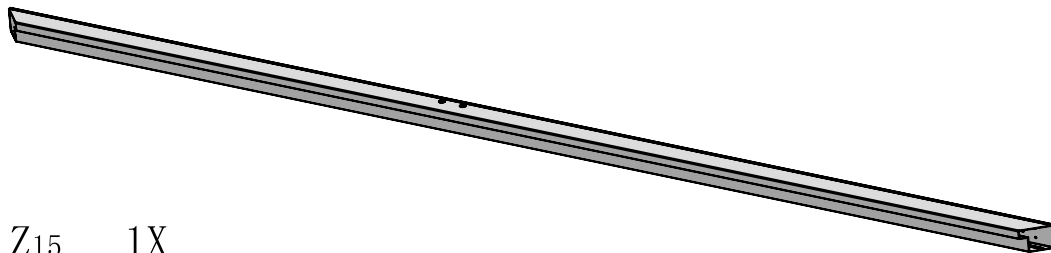
Z12 1X



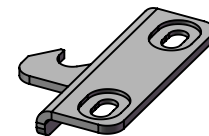
Z13 1X



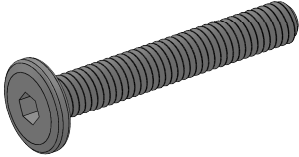
Z14 1X

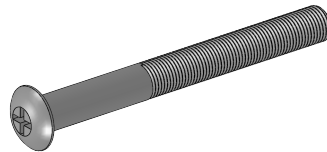
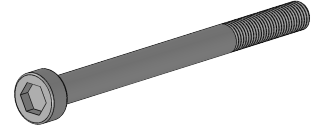



Z15 1X



Z16 1X

<p>1# 8</p>  <p>ST4. 8*13</p>	<p>2# 19</p>  <p>M5*12</p>	<p>3# 64</p>  <p>ST3. 5*13</p>
<p>4# 264</p>  <p>M6*16</p>	<p>5# 80</p>  <p>M6*28</p>	<p>6# 8</p>  <p>M6*40</p>
<p>7# 2</p>  <p>M6*12 (L20)</p>	<p>8# 6</p>  <p>M6*15 (L30)</p>	<p>9# 12</p>  <p>ST6*70</p>
<p>10# 12</p> 	<p>11# 80</p>  <p>M6</p>	<p>12# 2</p>  <p>M8*60</p>
<p>13# 2</p>  <p>M8</p>	<p>14# 2</p>  <p>M8</p>	<p>15# 2</p> 

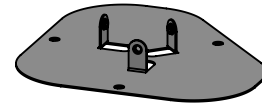
 <p>16# 24 S3.5*19</p>	 <p>17# 36 M5*48</p>	 <p>18# 36 M5</p>
 <p>19# 36 M5</p>	 <p>20# 4 M4*50</p>	 <p>21# 4 M4</p>
 <p>22# 1 S8</p>	 <p>23# 1 S13</p>	 <p>24# 1 S4</p>
 <p>25# 80 Rubber Gasket D12/d6. 2*H2</p>	 <p>26# 1 S3</p>	



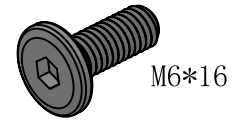
A1 1X



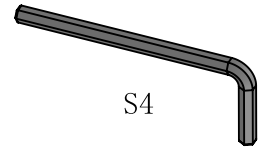
A2 1X



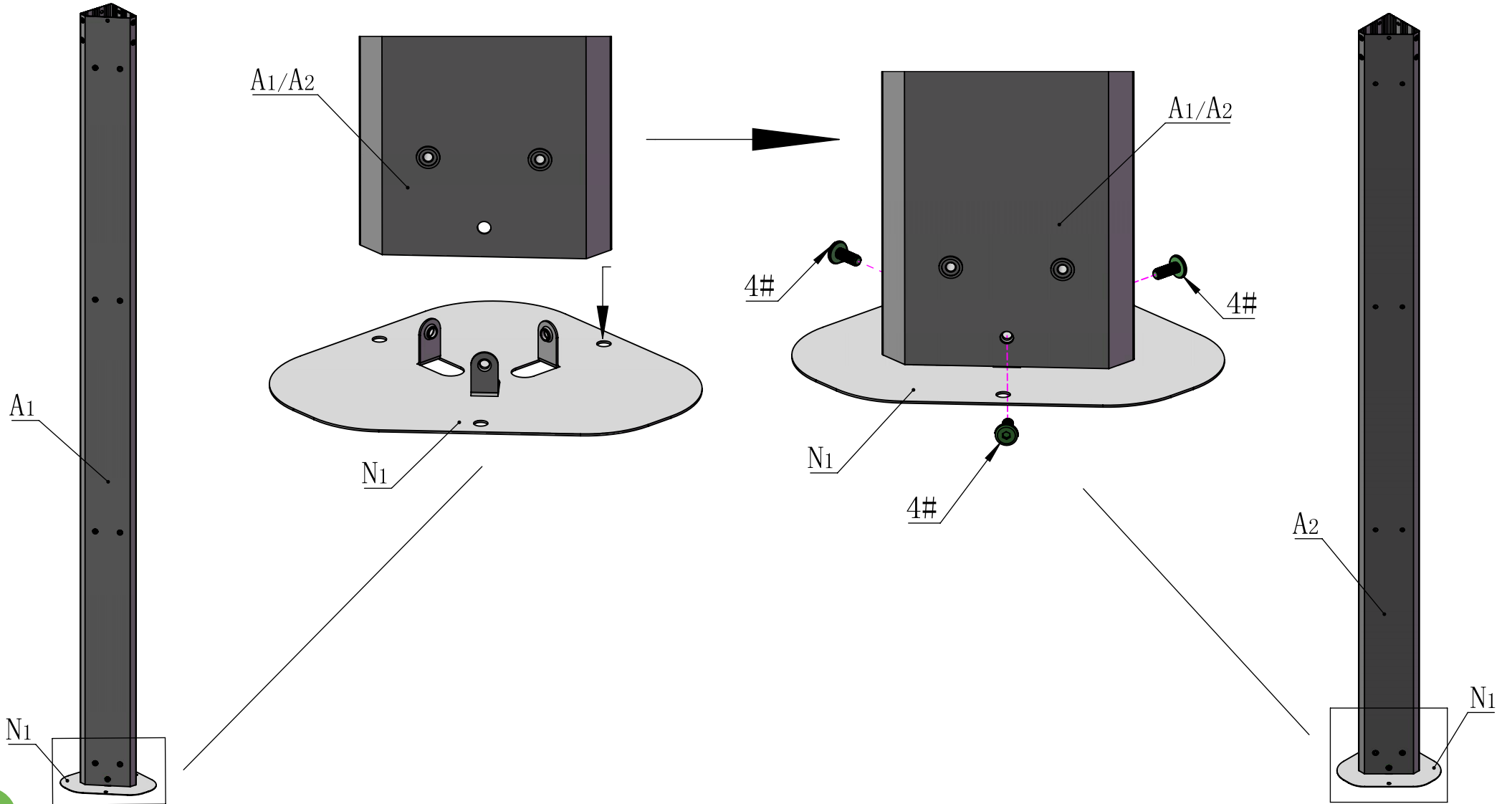
N1 2X

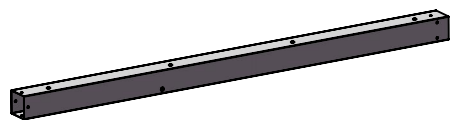


4# 6X

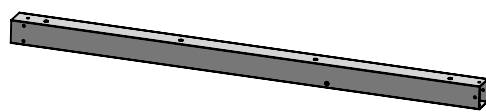


24# 1X

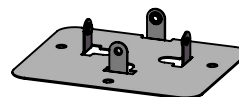




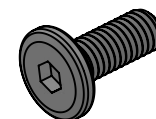
A3 1X



A4 1X

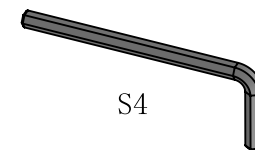


N2 2X



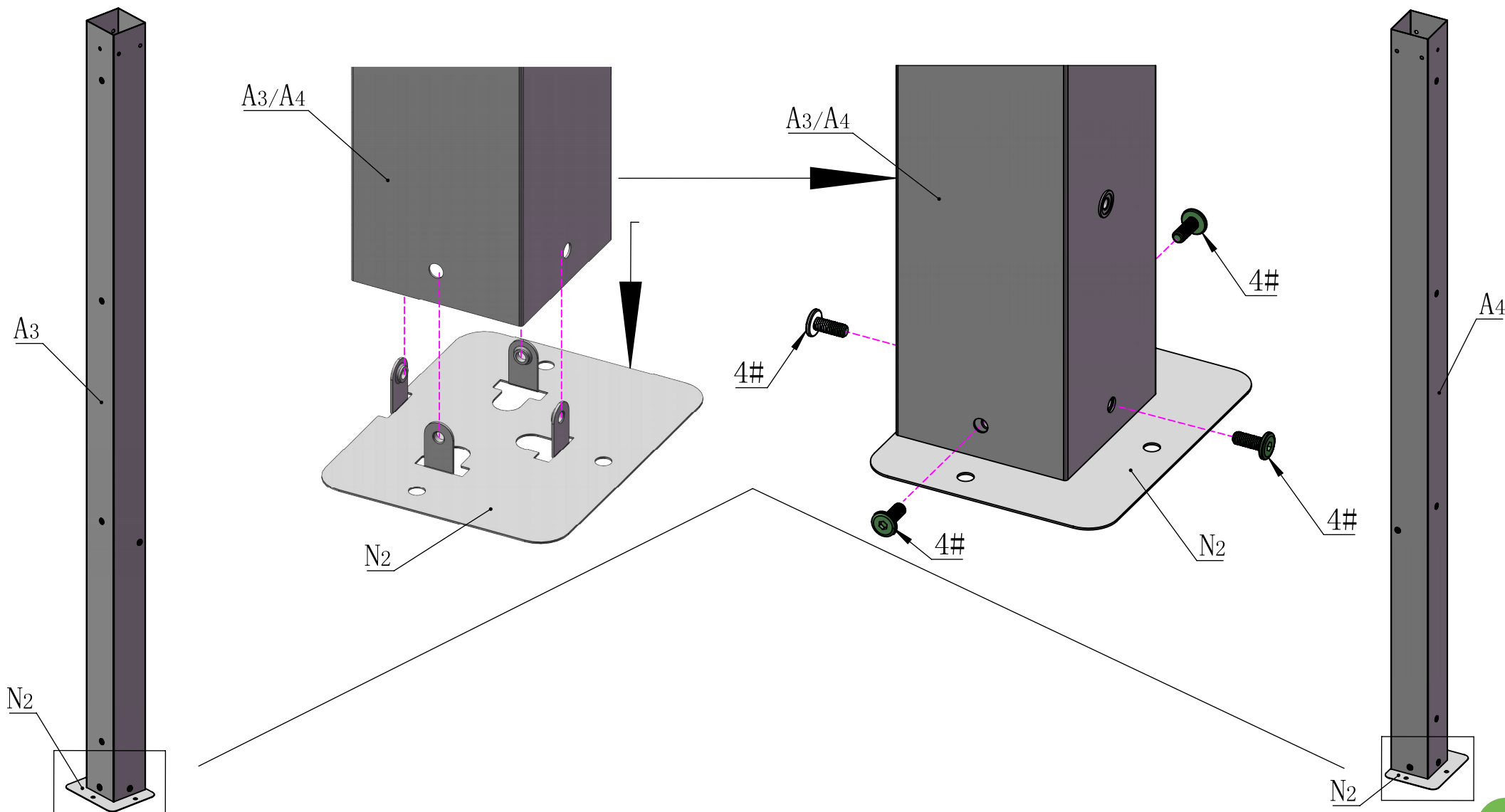
M6*16

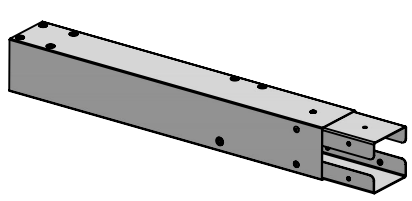
4# 8X



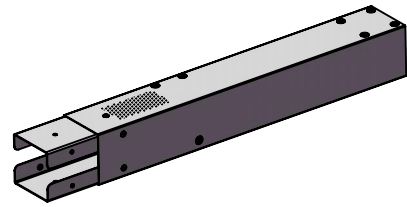
S4

24# 1X

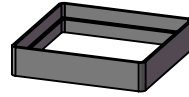




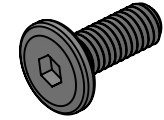
A5 1X



A6 1X

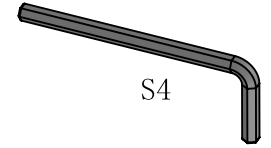


W4 2X



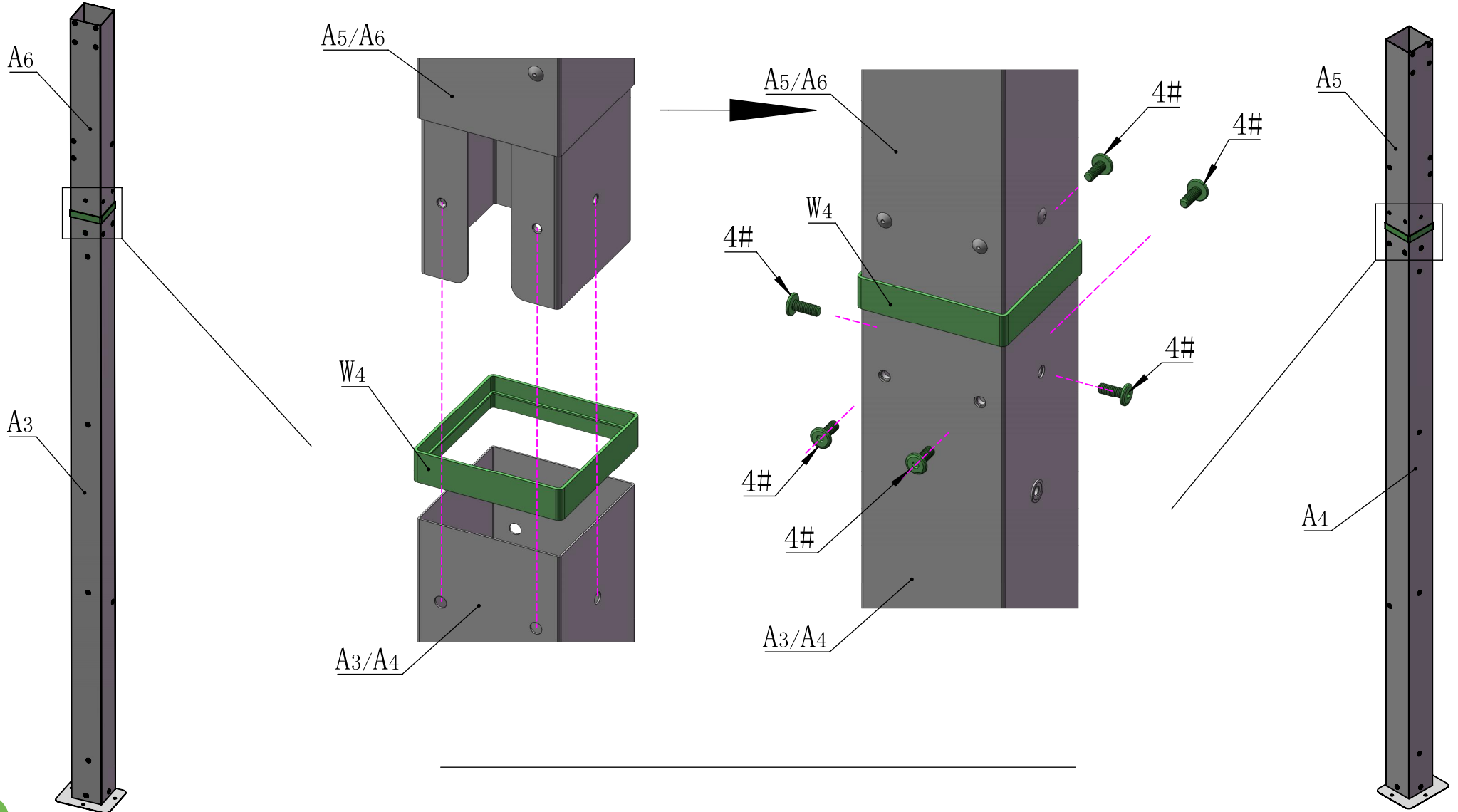
M6*16

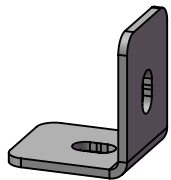
4# 12X



S4

24# 1X

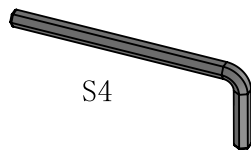




T2 4X

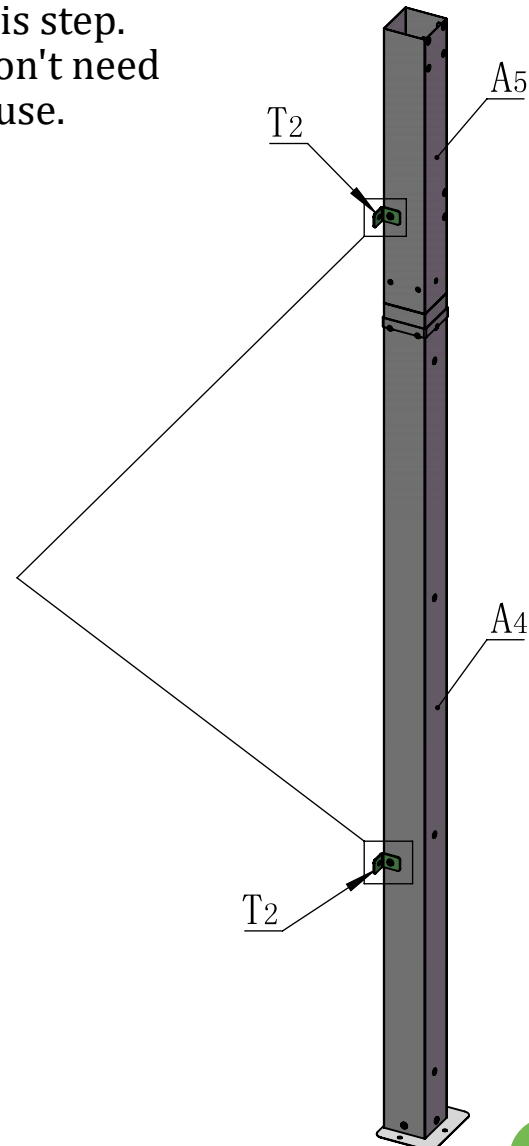
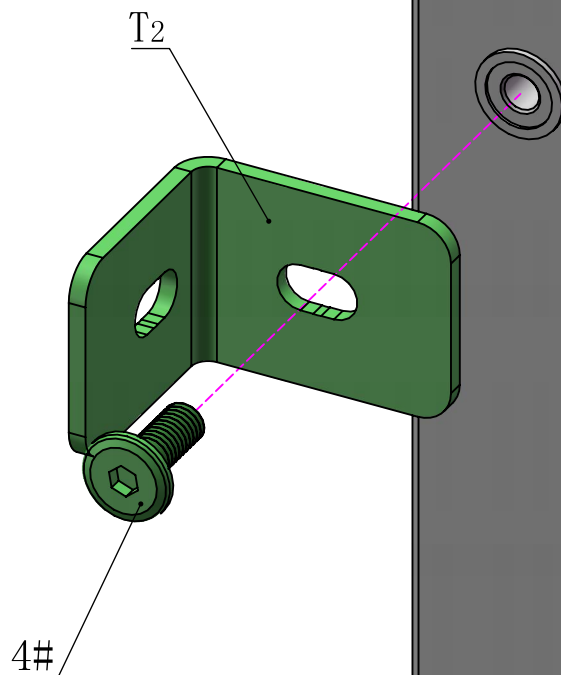
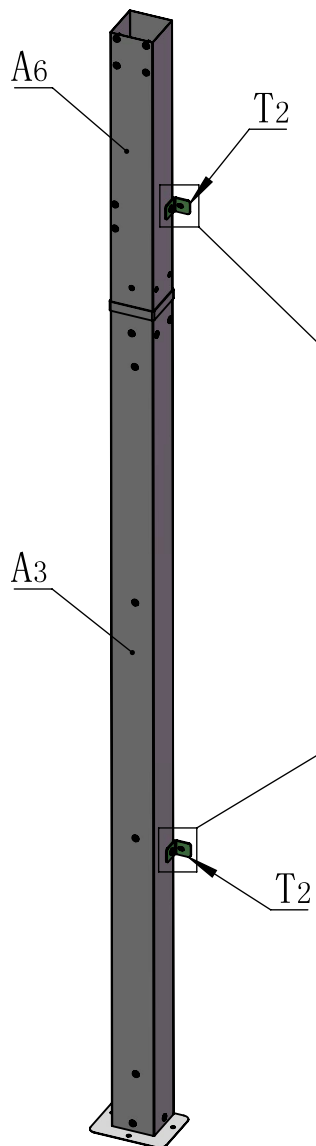


M6*16
4# 4X

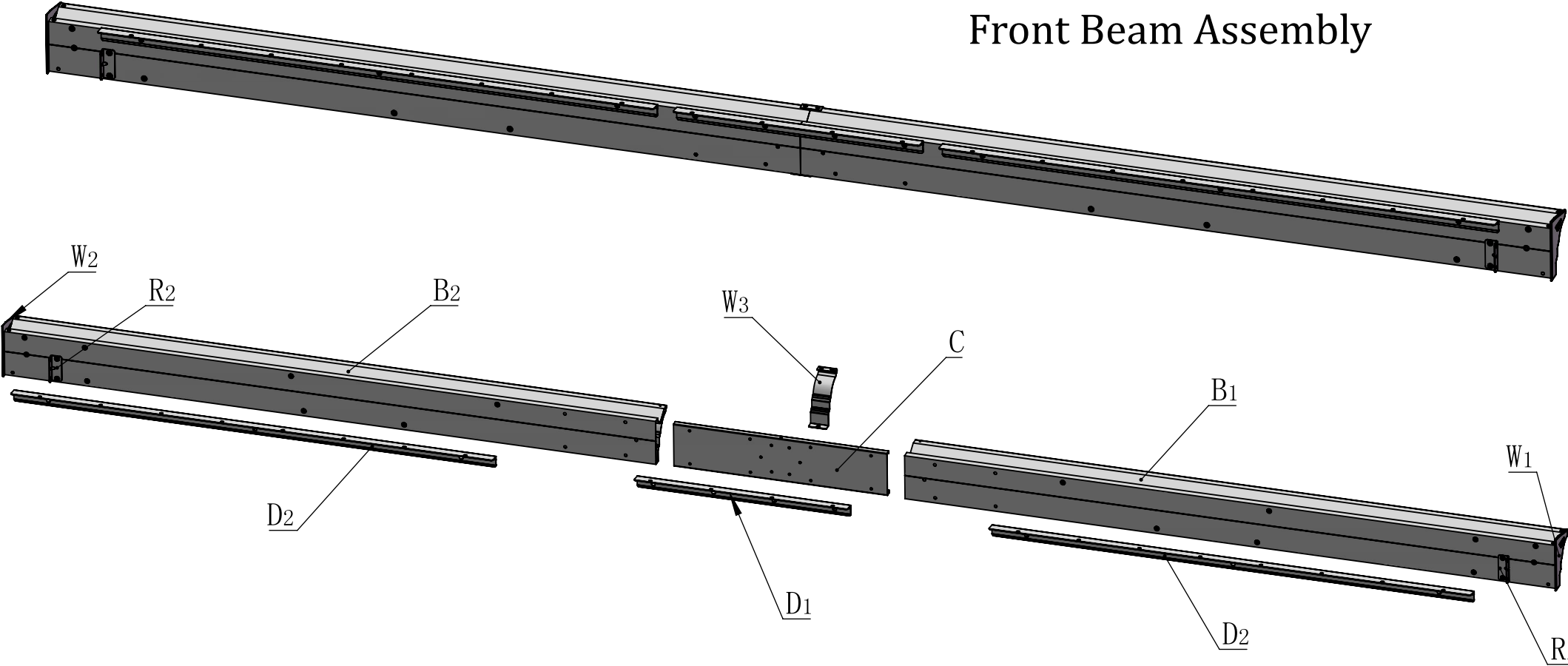


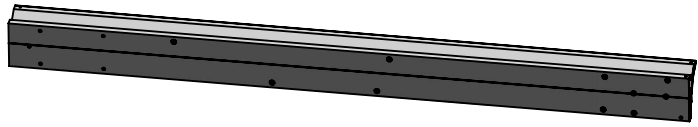
S4
24# 1X

⚠ If you don't need to fix the post against the wall, please skip this step.
The bracket T2 is used to fix the post against the wall. If you don't need fixing the post against the wall, then please retain it for future use.

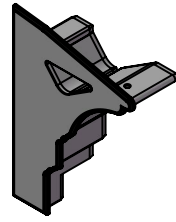


Front Beam Assembly





B1 1X

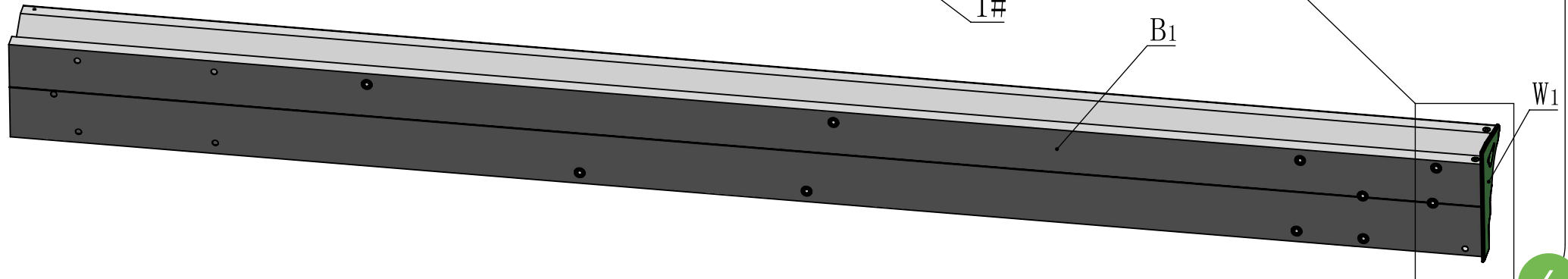
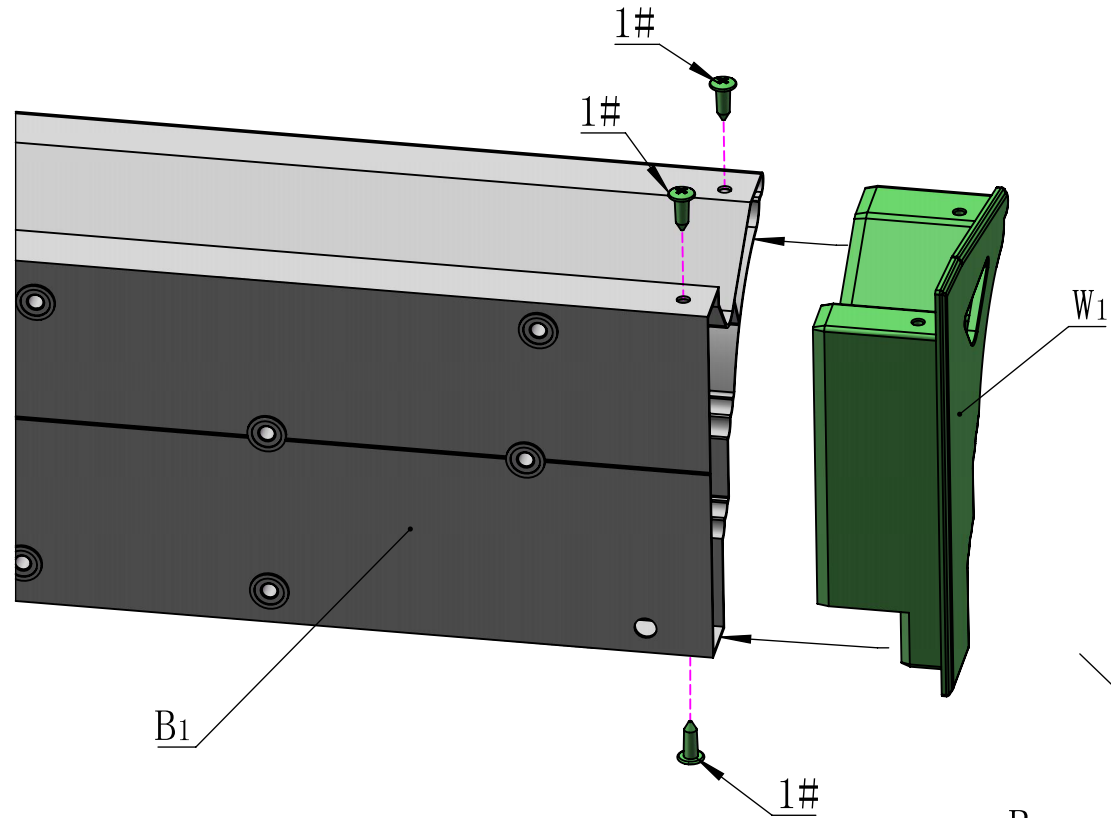


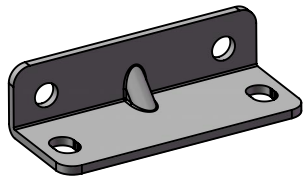
W1 1X

ST4. 8*13



1# 3X



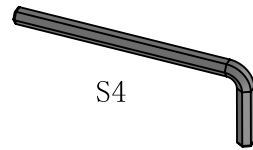


R2 1X



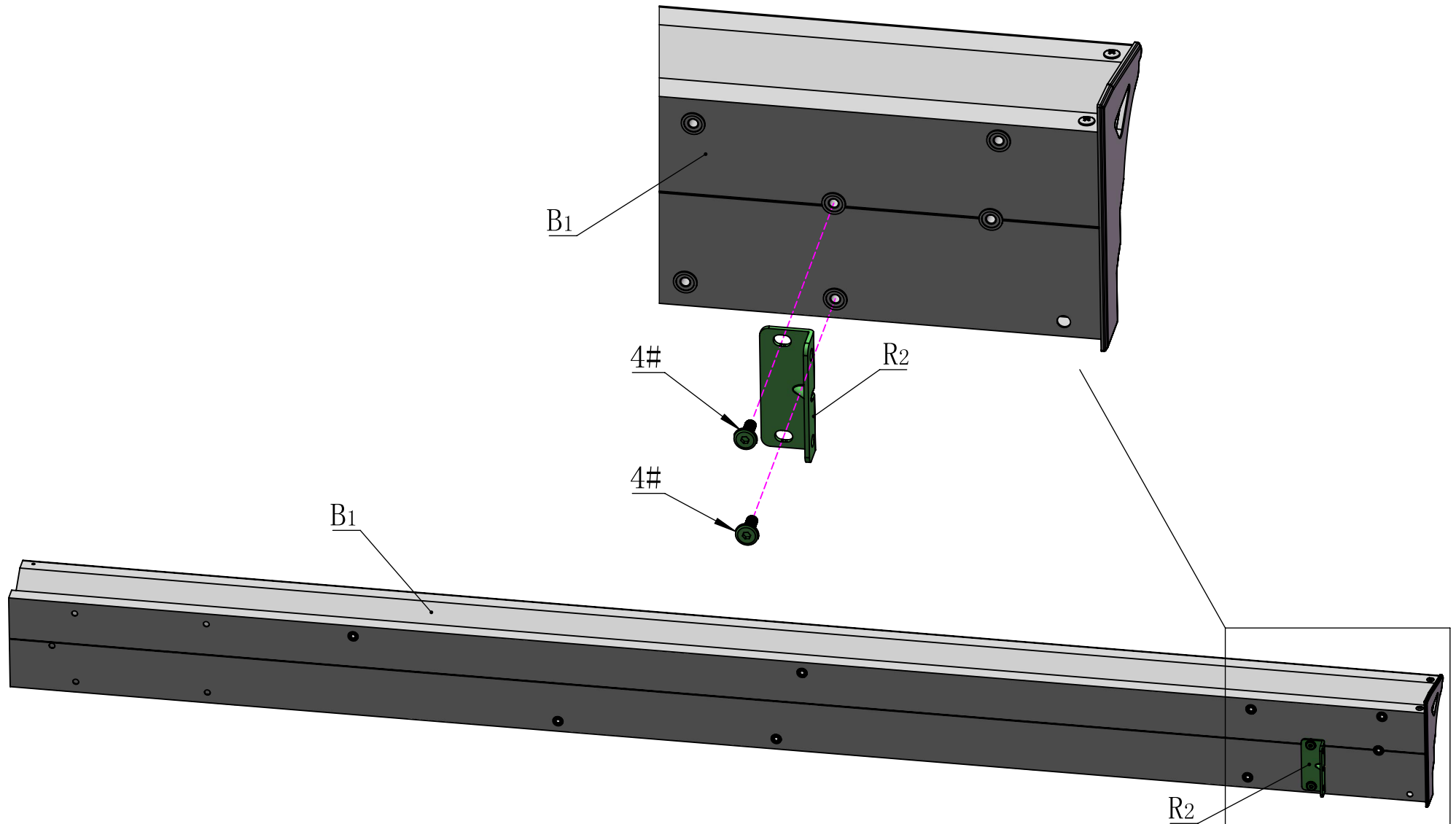
M6*16

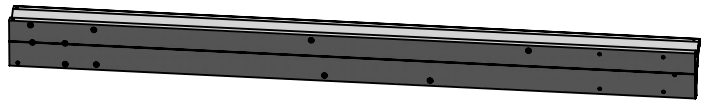
4# 2X



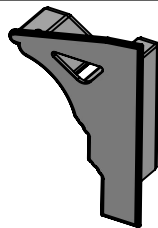
S4

24# 1X





B2 1X

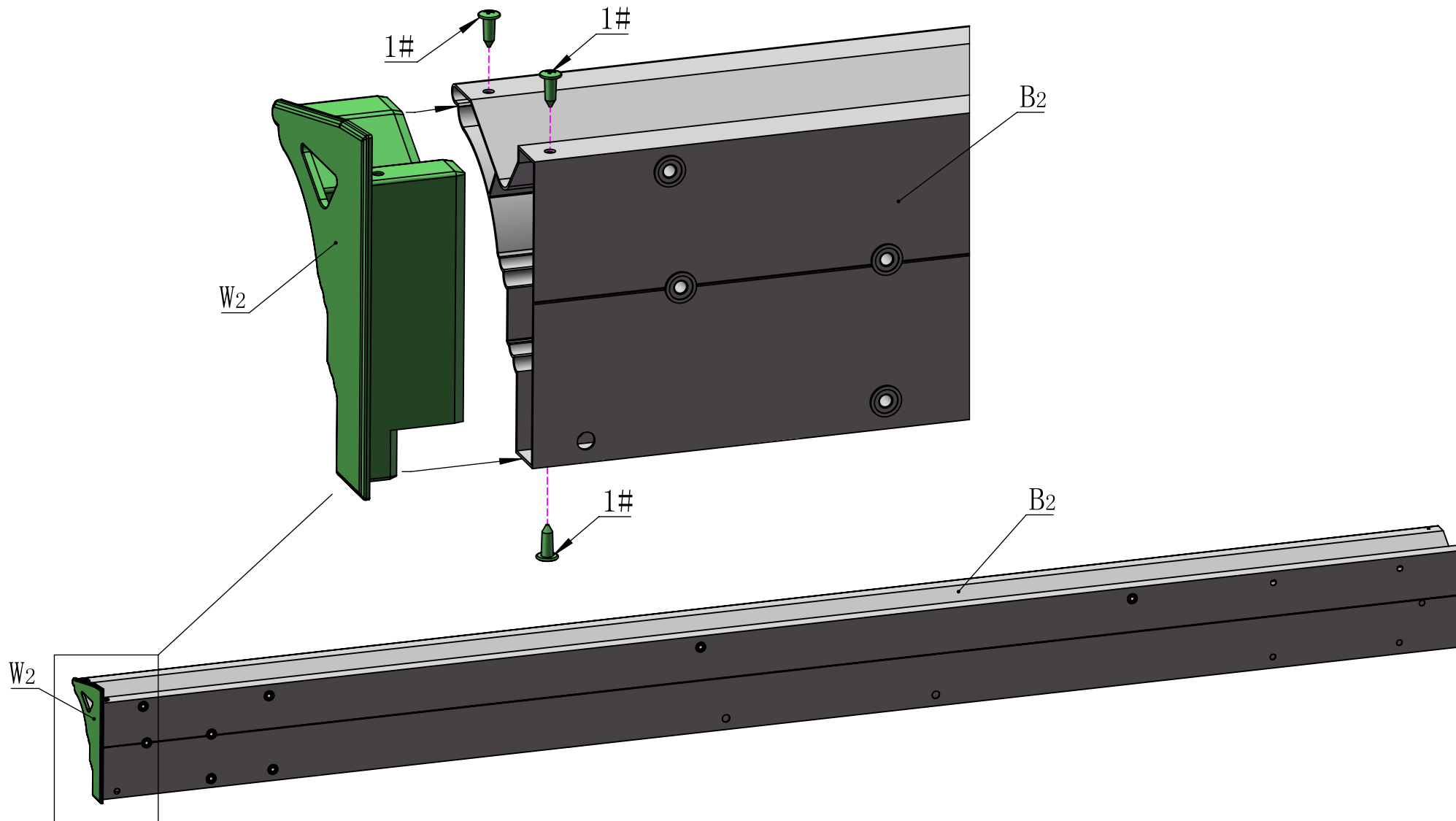


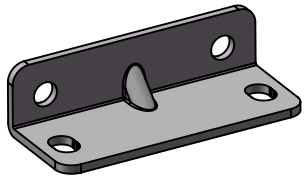
W2 1X

ST4. 8*13

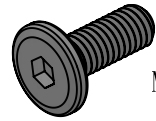


1# 3X



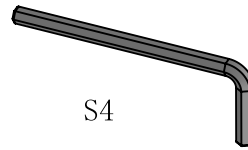


R2 1X



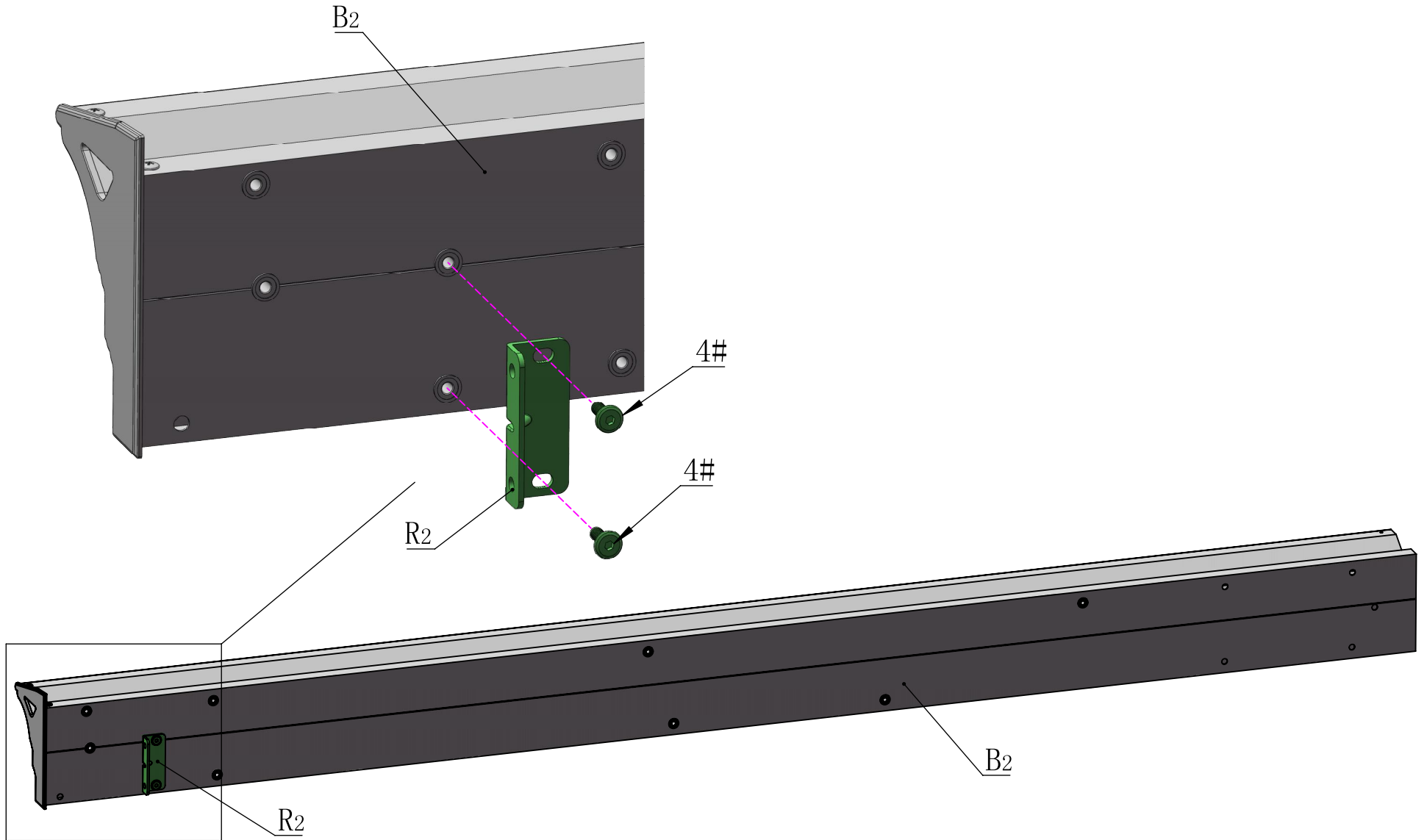
M6*16

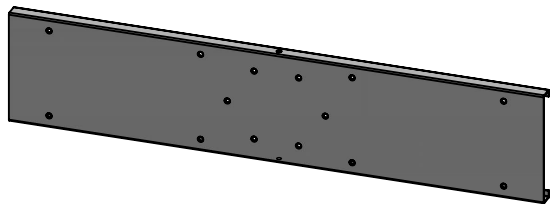
4# 2X



S4

24# 1X



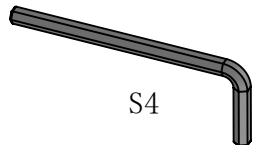


C 1X



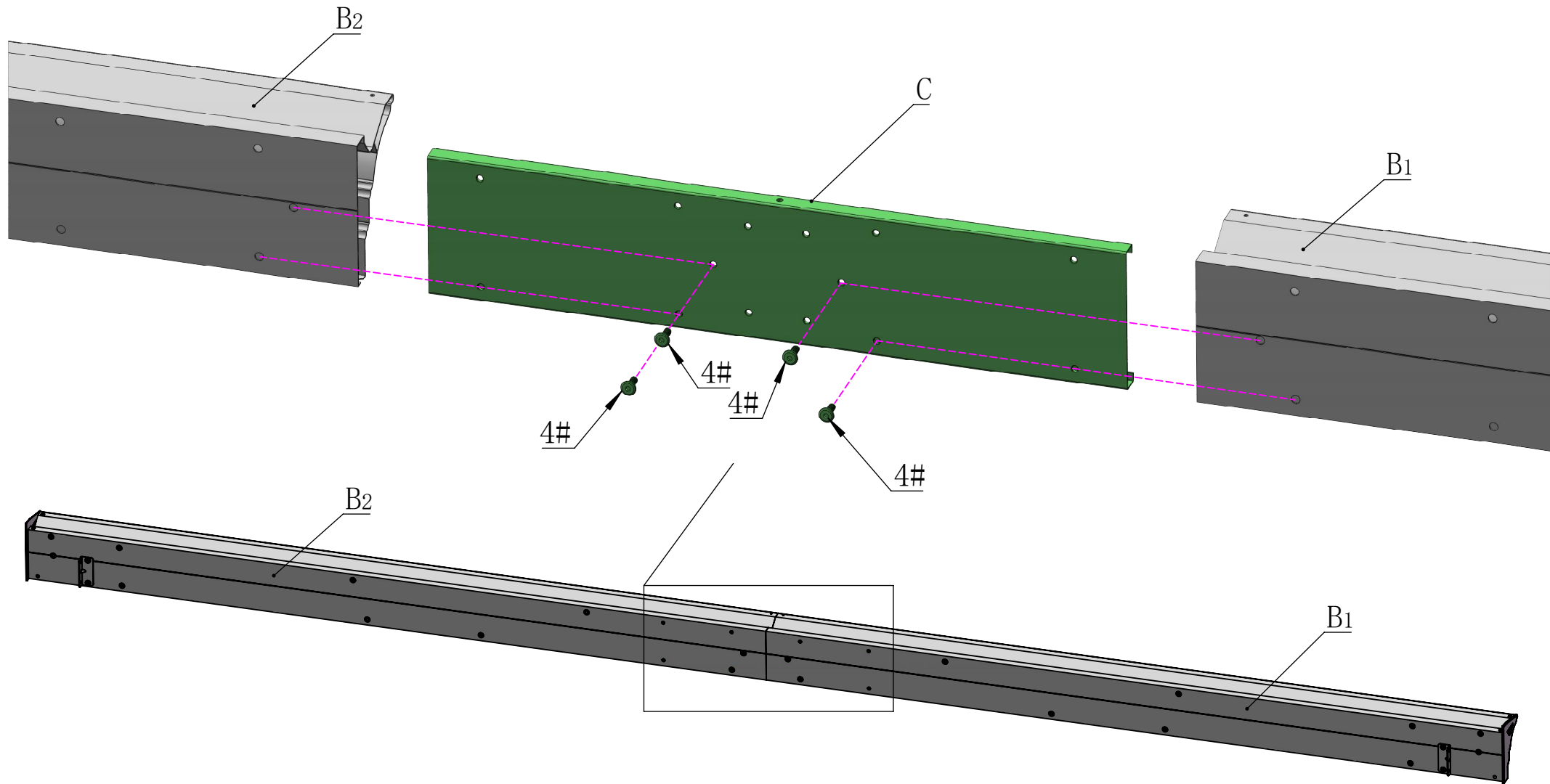
M6*16

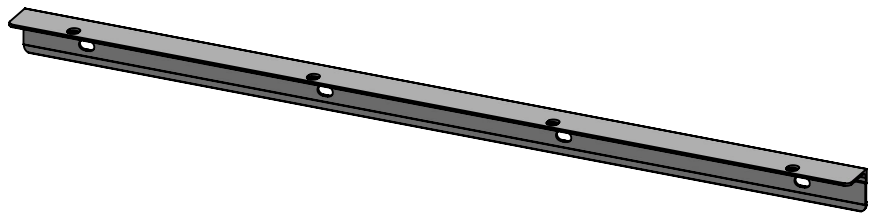
4# 4X



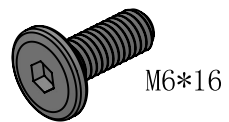
S4

24# 1X



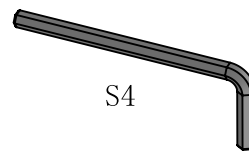


D1 1X



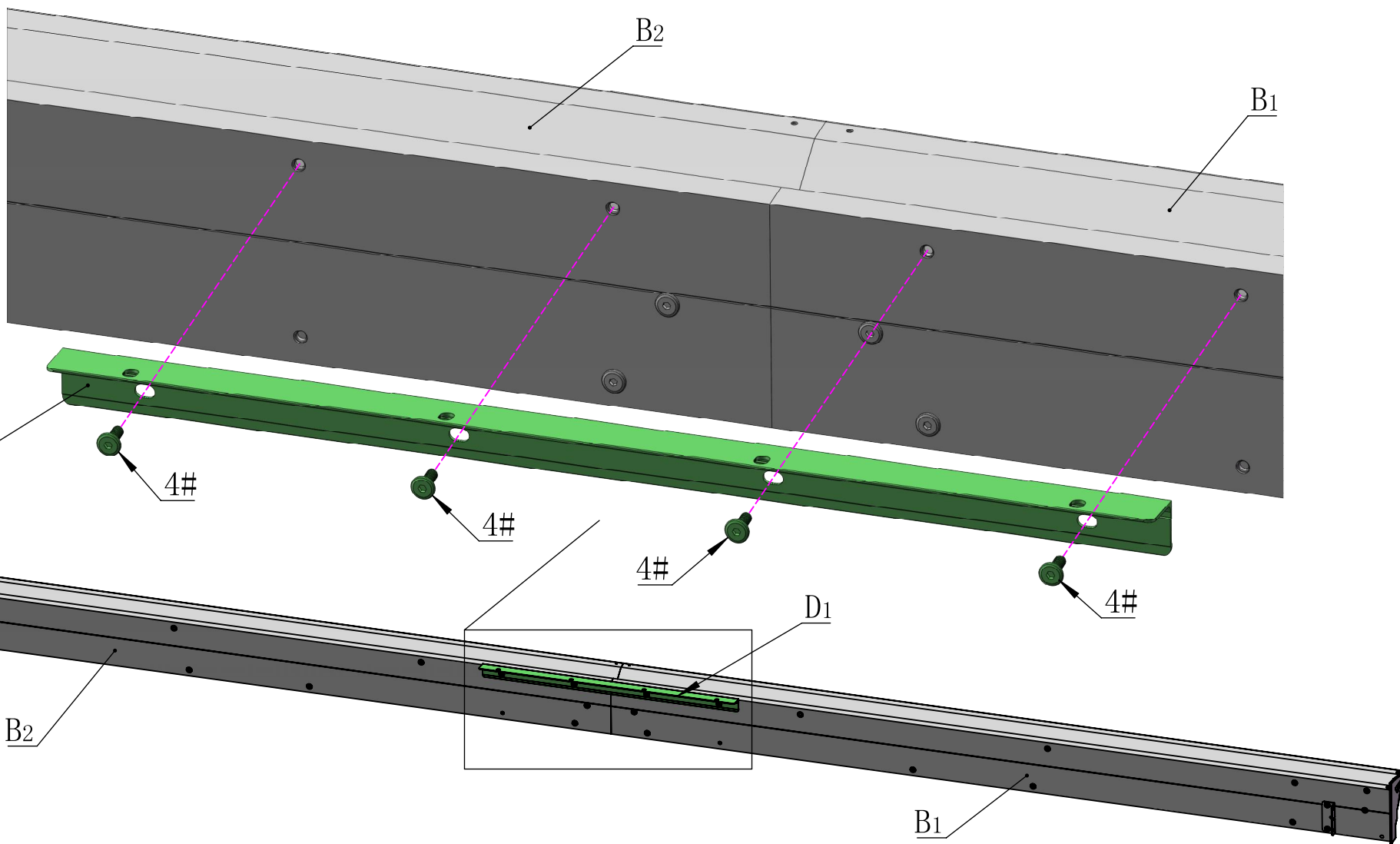
M6*16

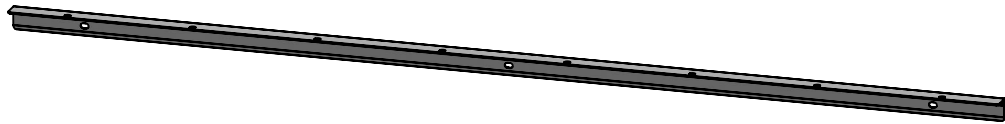
4# 4X



S4

24# 1X

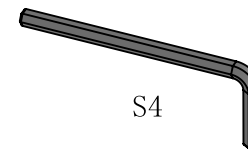




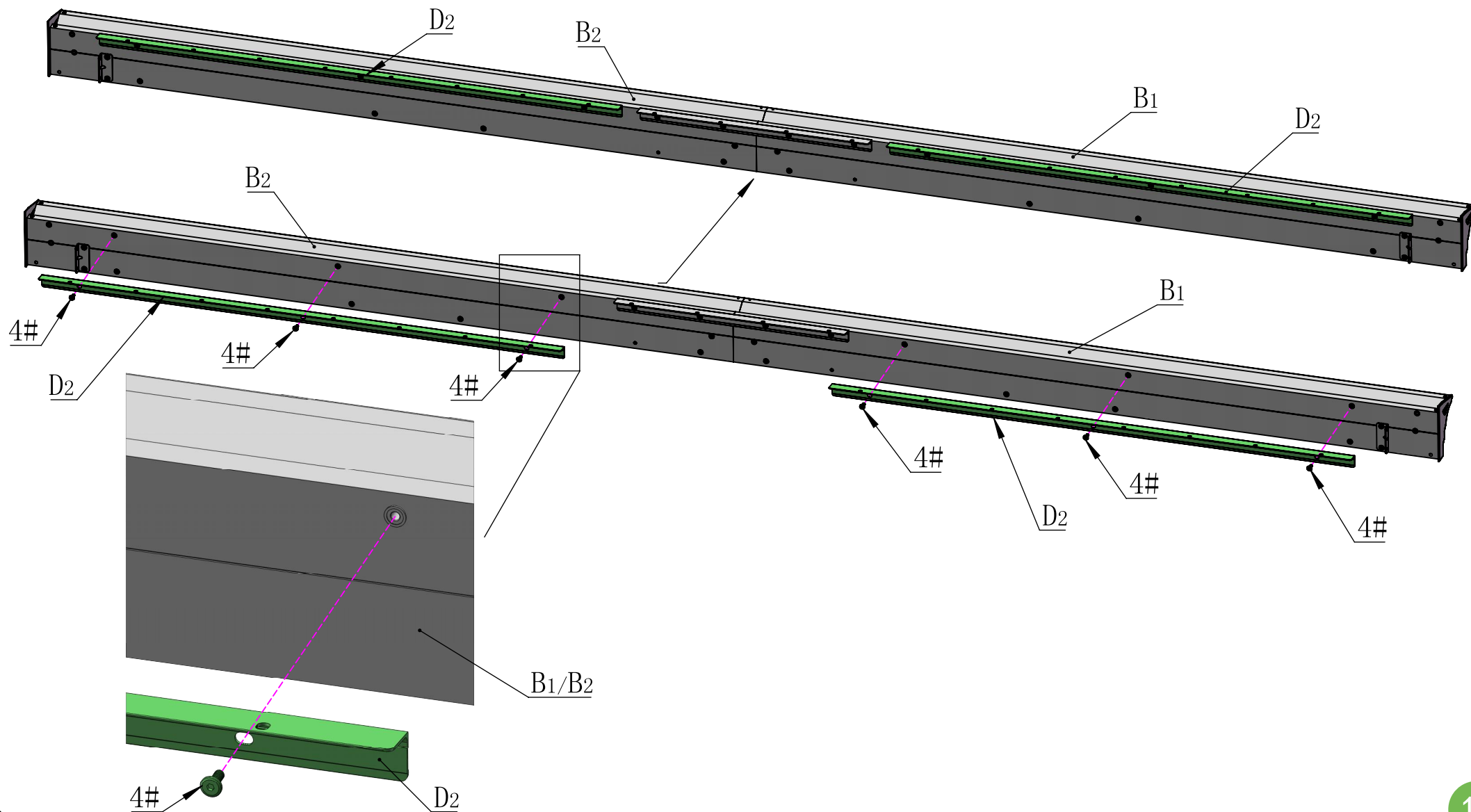
D2 2X

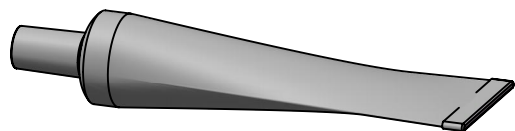


M6*16
4# 6X



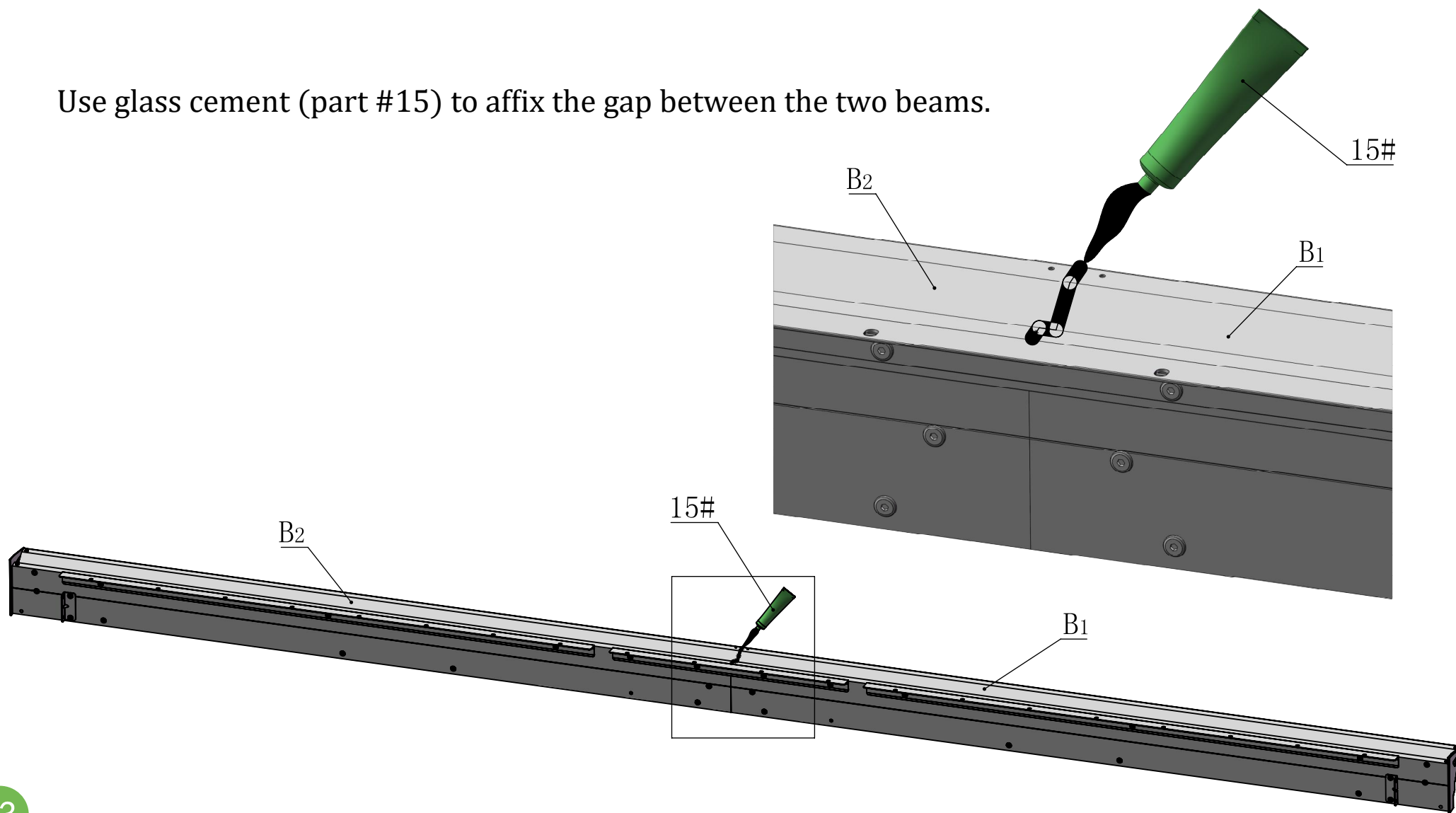
S4
24# 1X

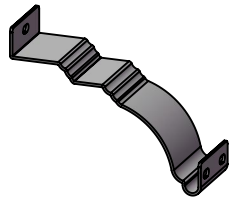




15# 1X

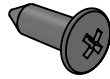
Use glass cement (part #15) to affix the gap between the two beams.





W3 1X

ST4. 8*13

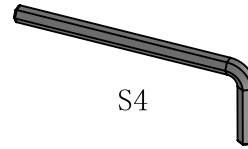


1# 2X



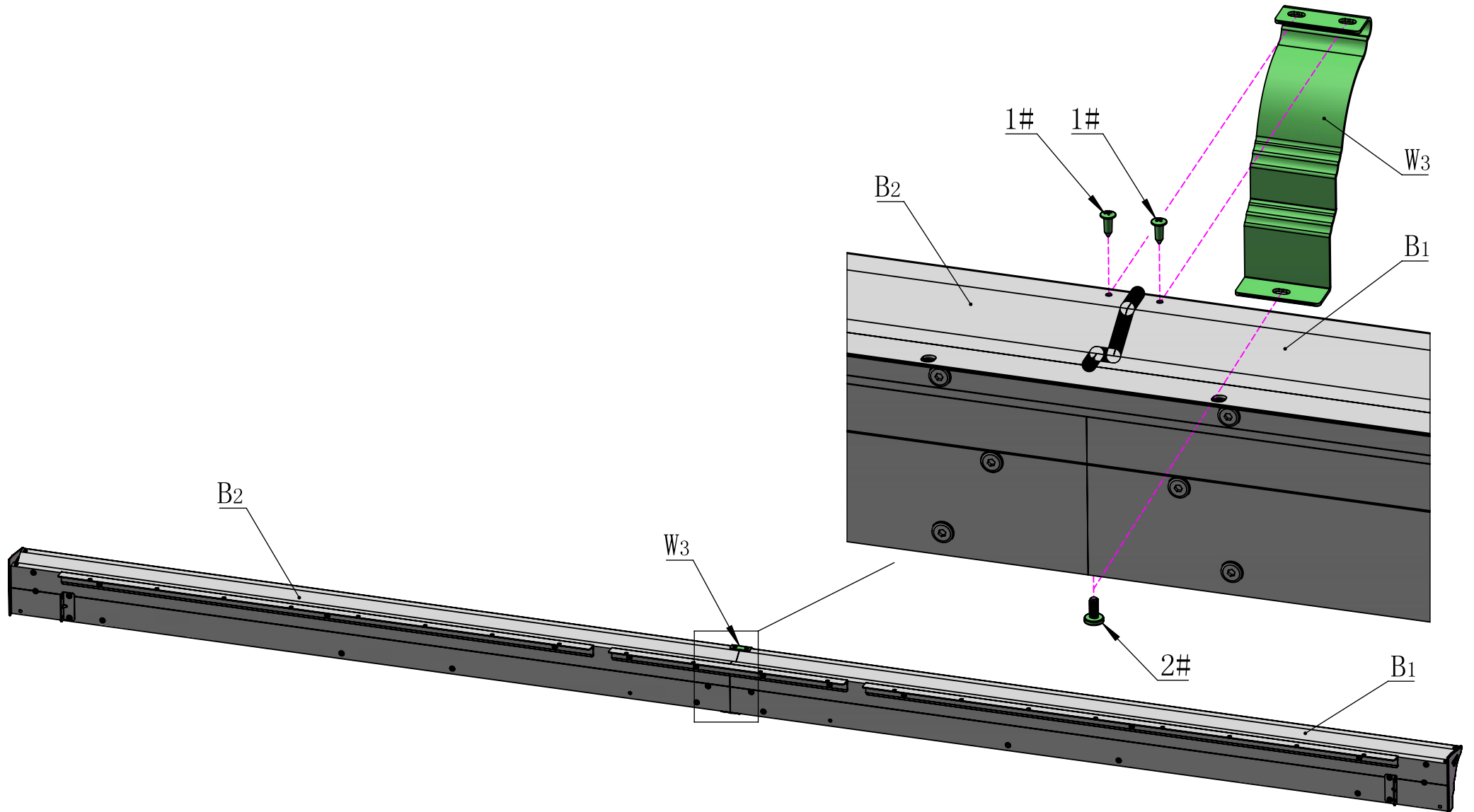
M5*12

2# 1X

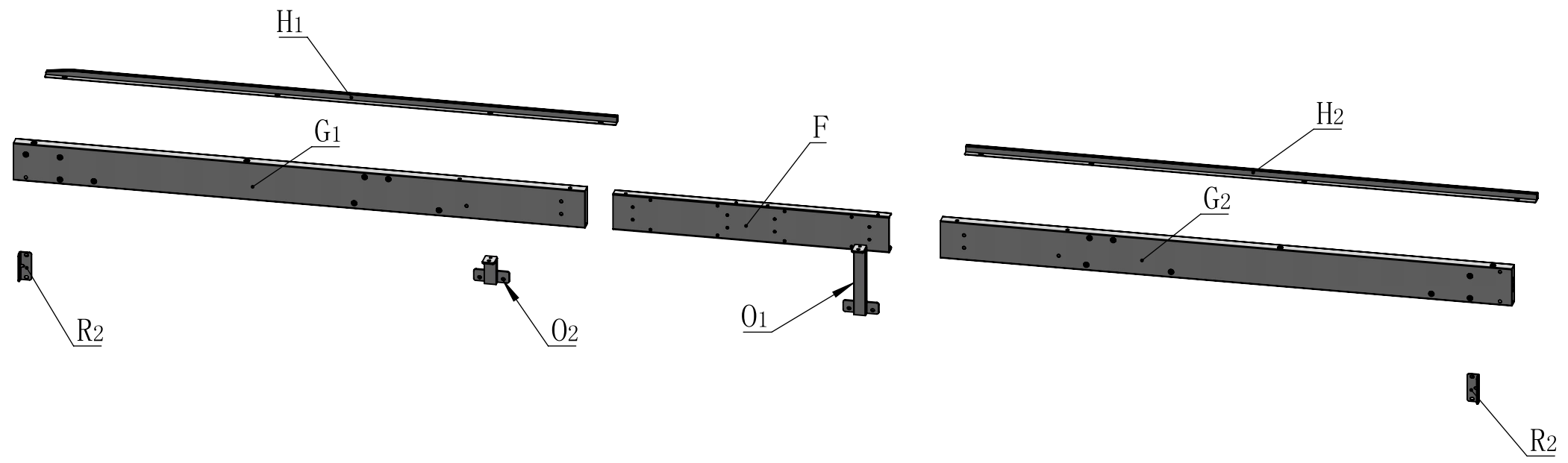
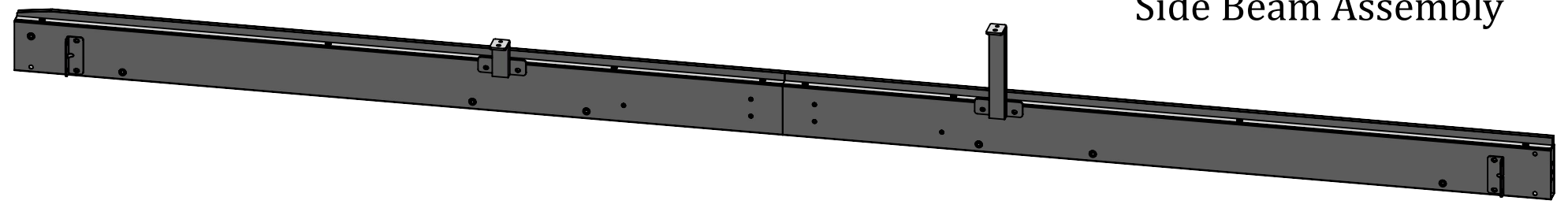


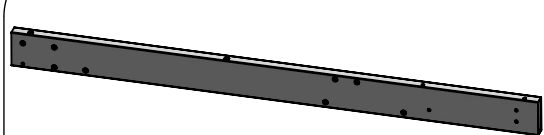
S4

24# 1X

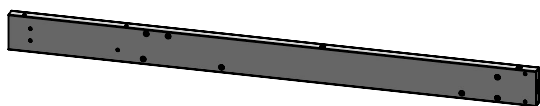


Side Beam Assembly

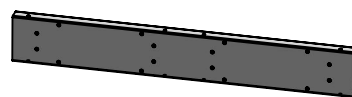




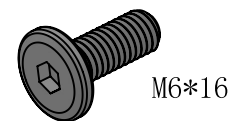
G1 1X



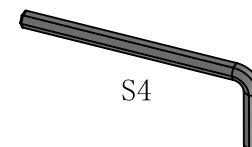
G2 1X



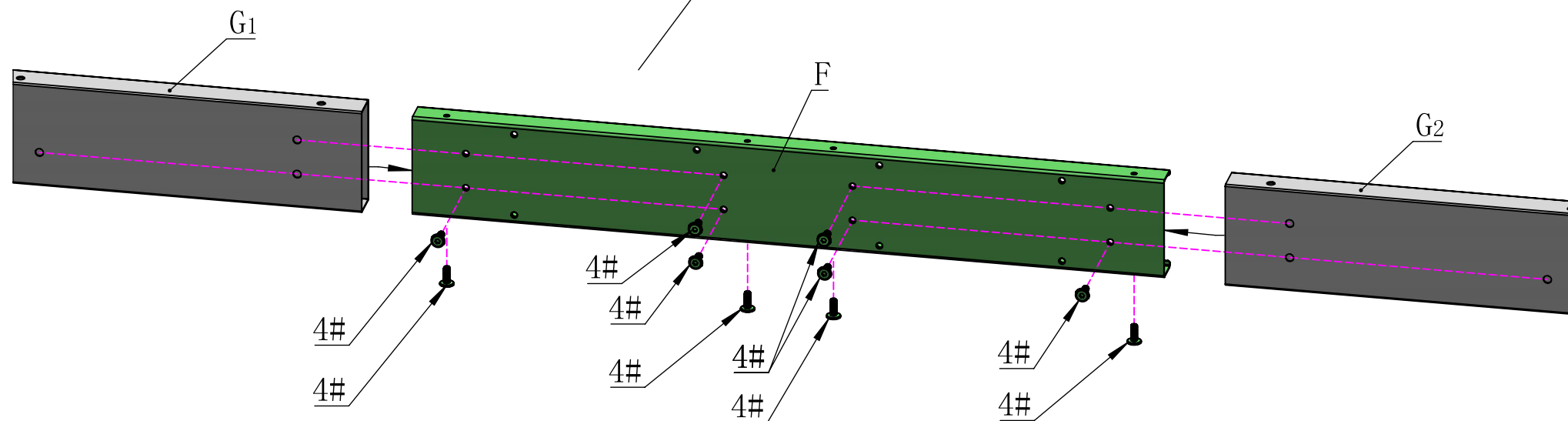
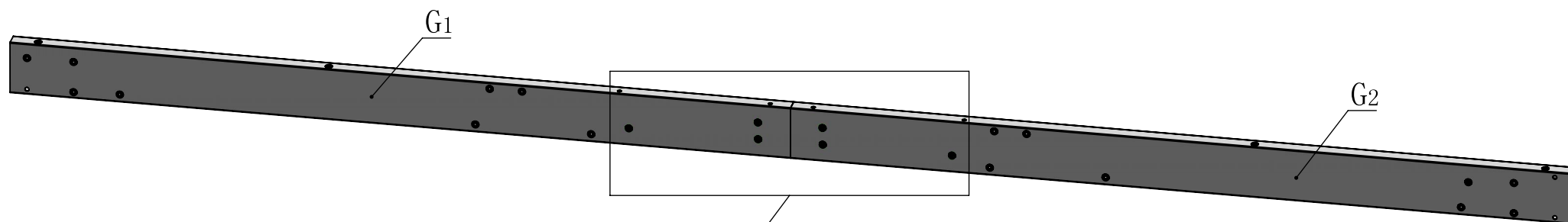
F 1X



4# 10X



24# 1X

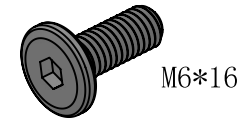




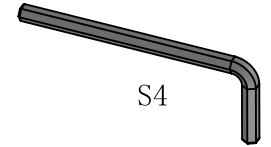
H1 1X



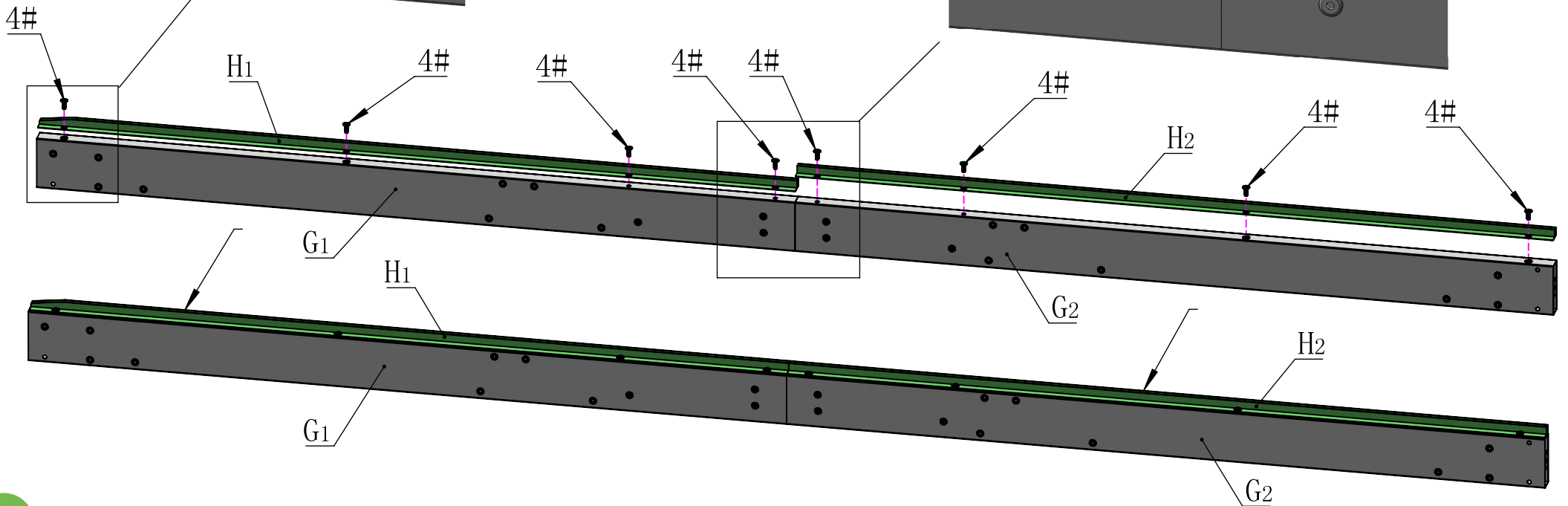
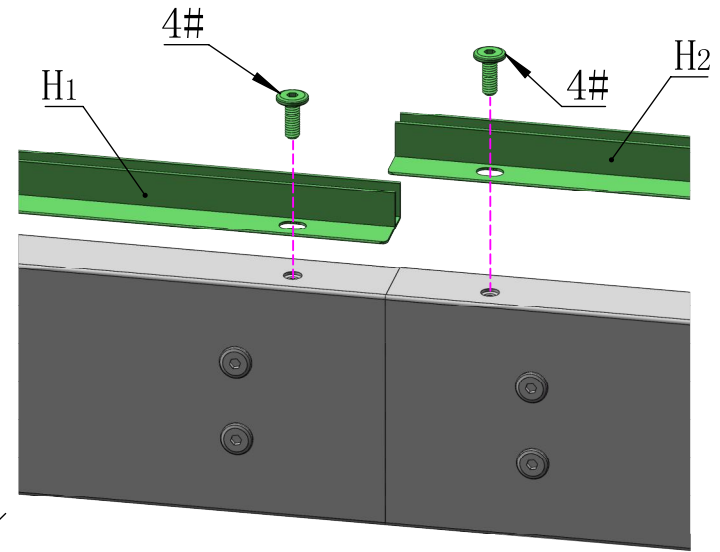
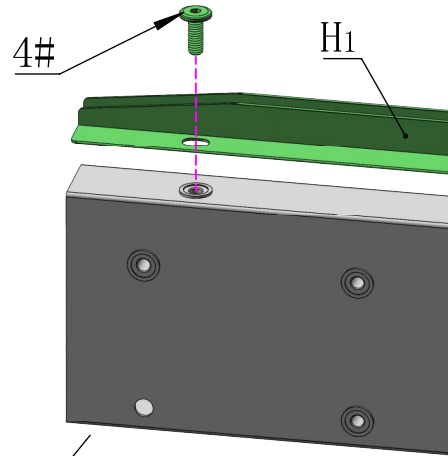
H2 1X

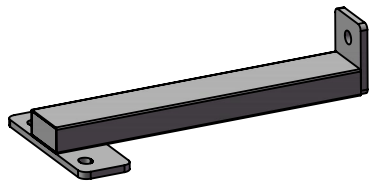


4# 8X

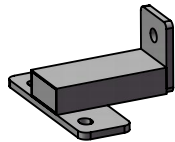


24# 1X

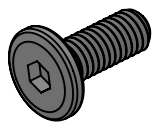




01 1X

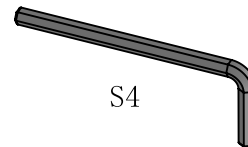


02 1X



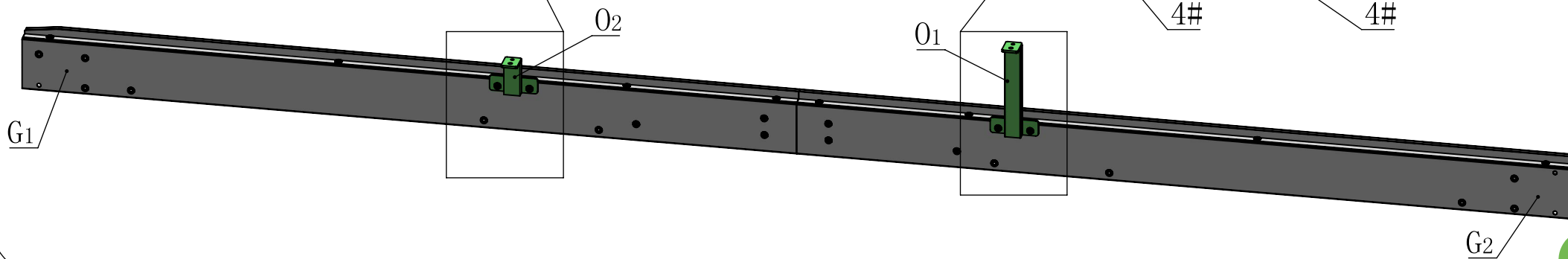
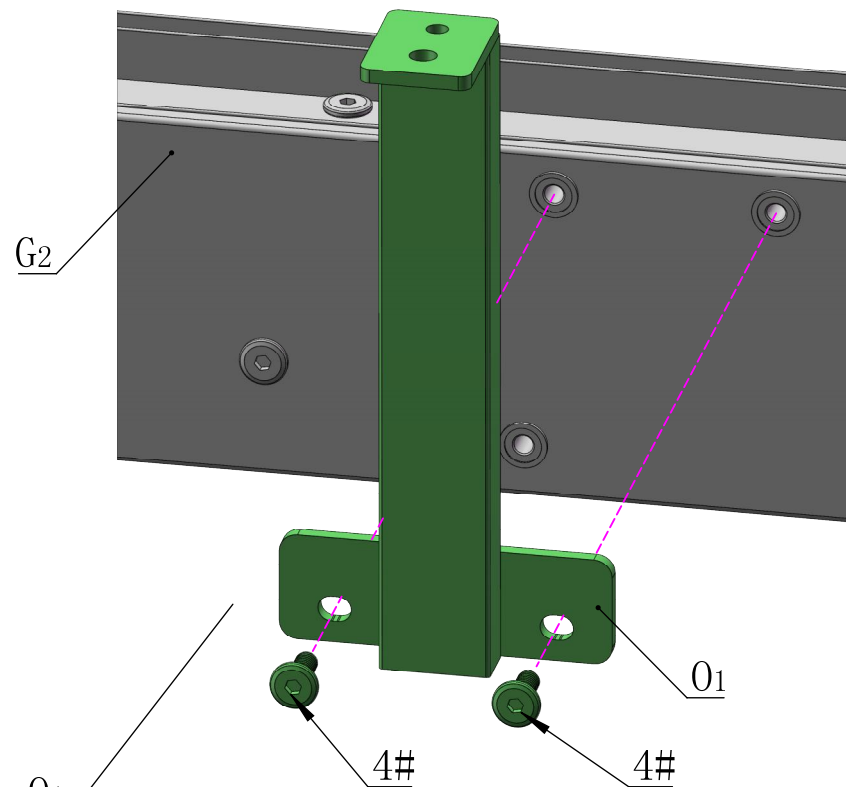
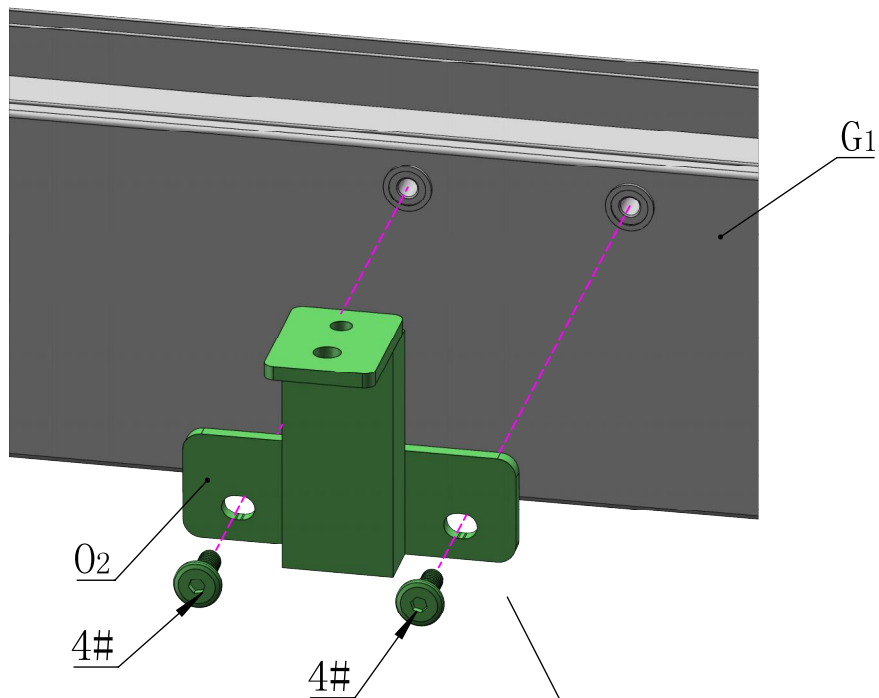
M6*16

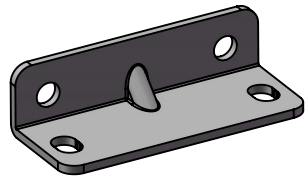
4# 4X



S4

24# 1X



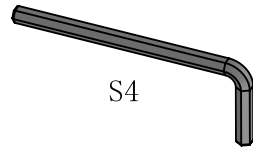


R2 2X



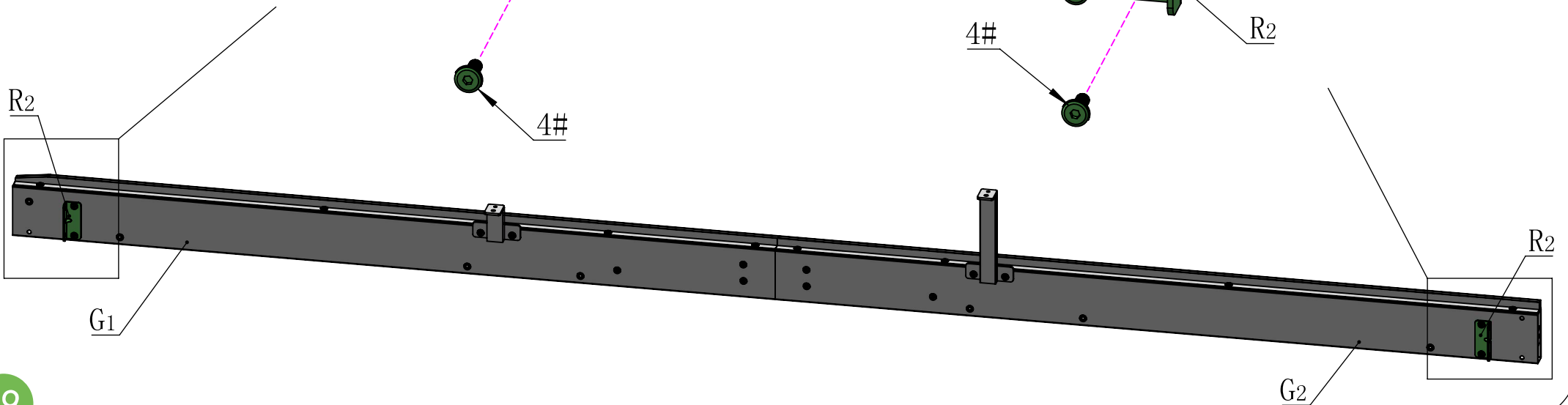
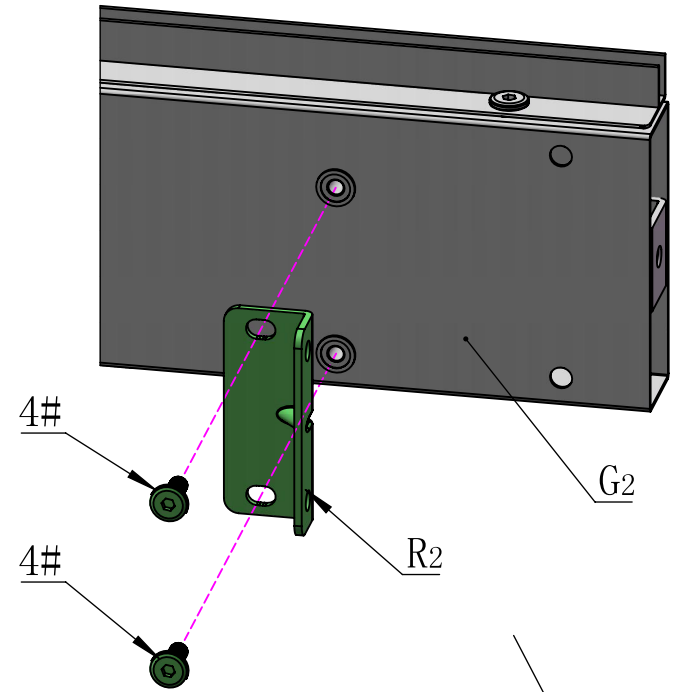
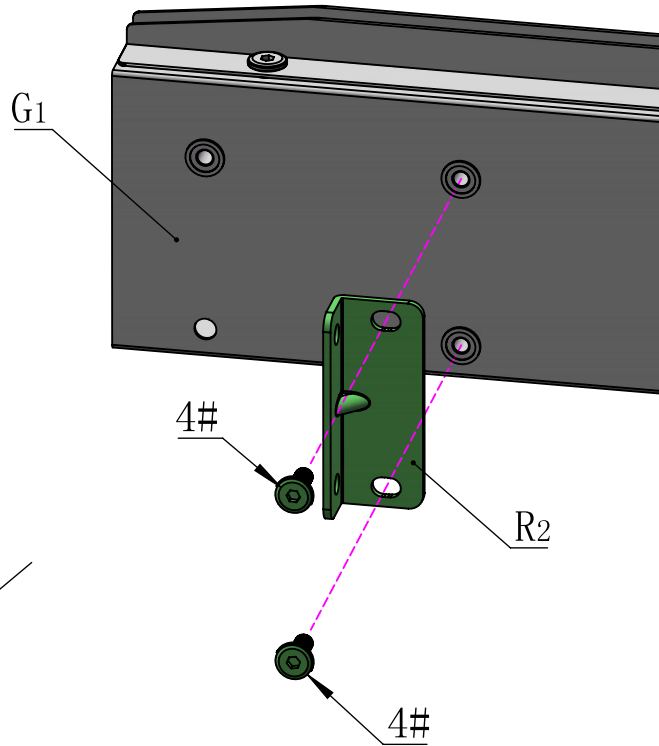
M6*16

4# 4X

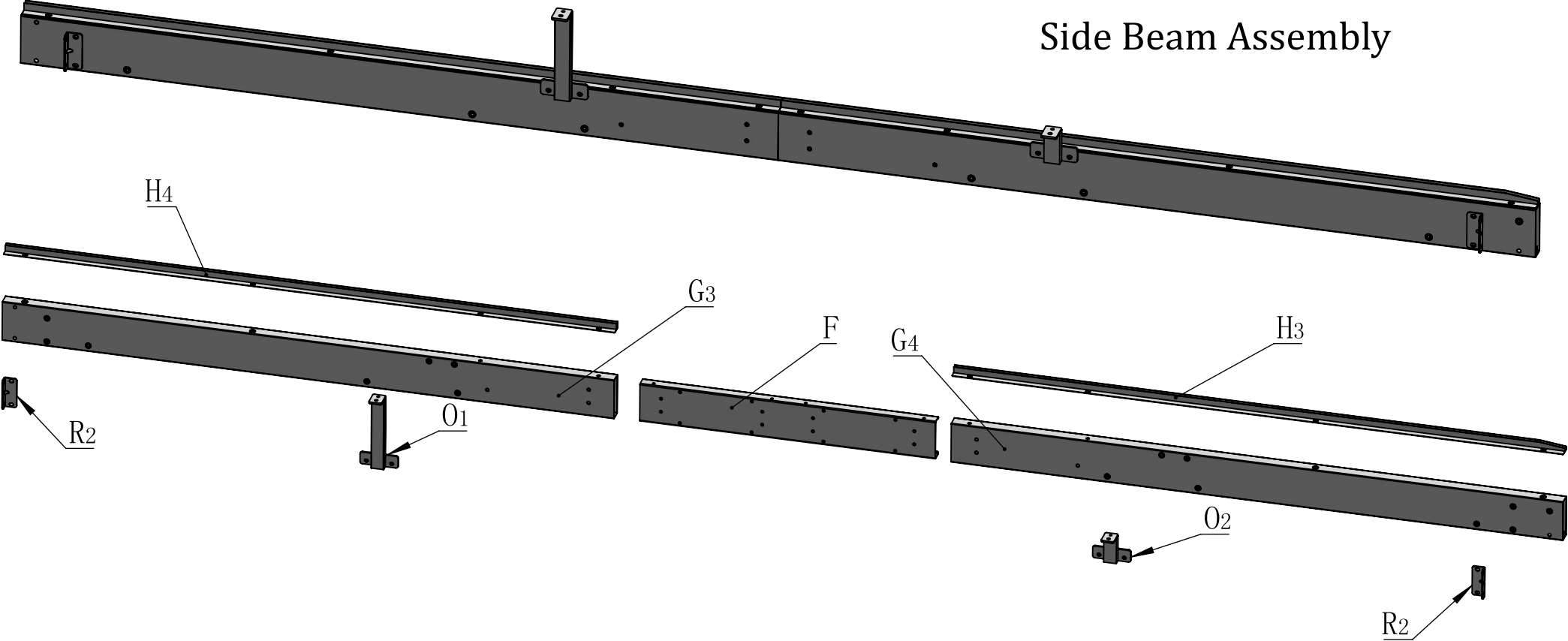


S4

24# 1X

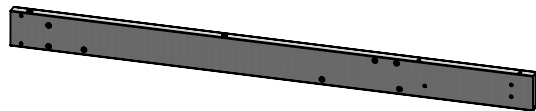


Side Beam Assembly

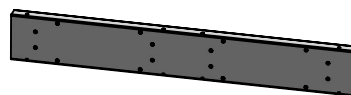




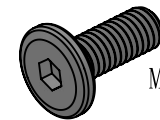
G3 1X



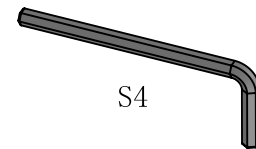
G4 1X



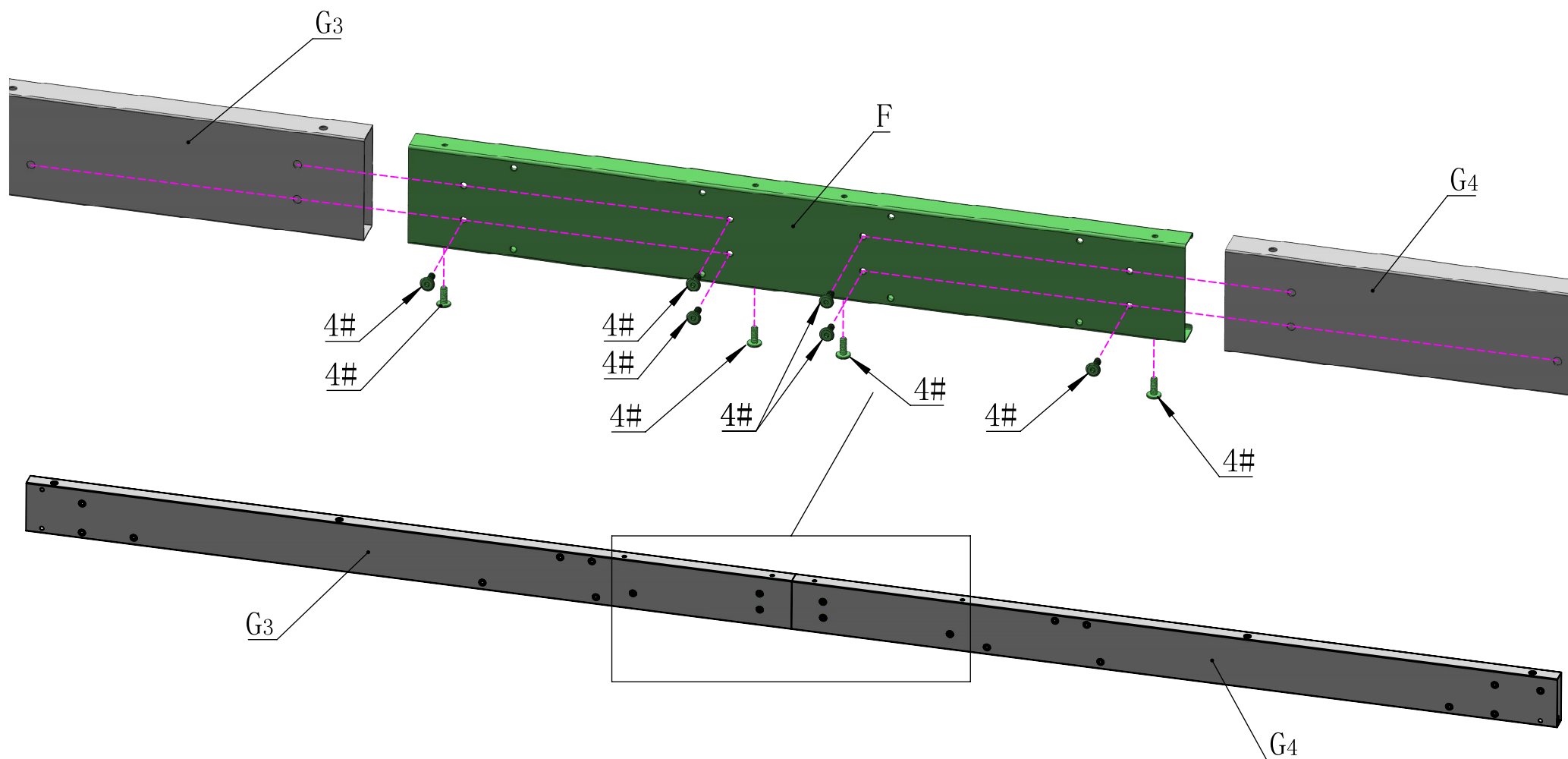
F 1X



4# 10X M6*16



24# 1X S4

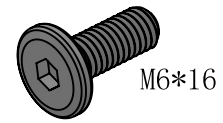




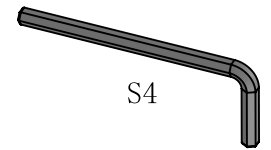
H3 1X



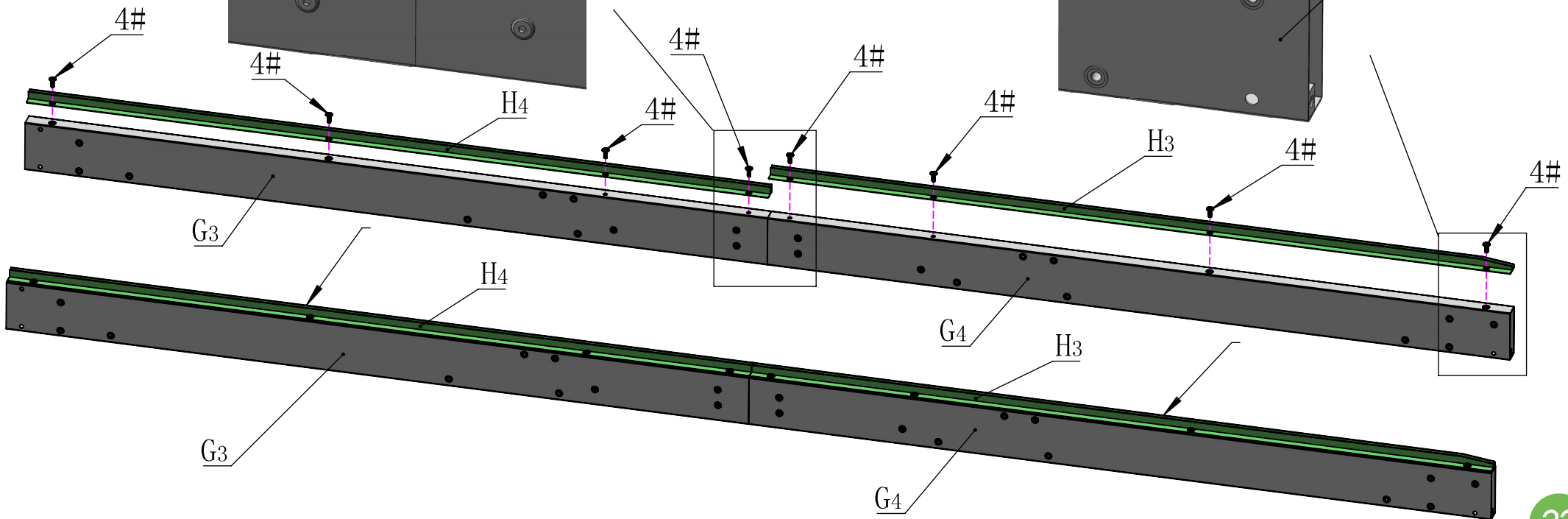
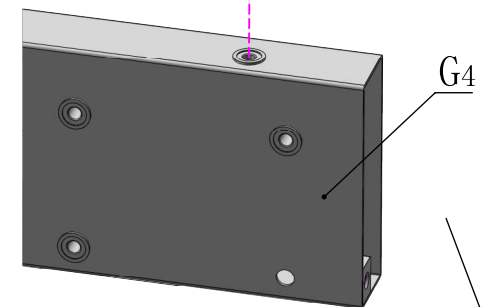
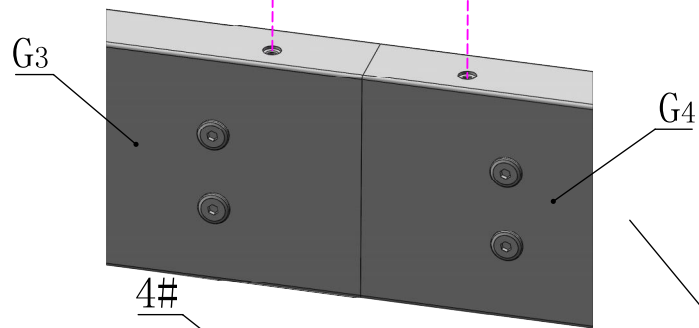
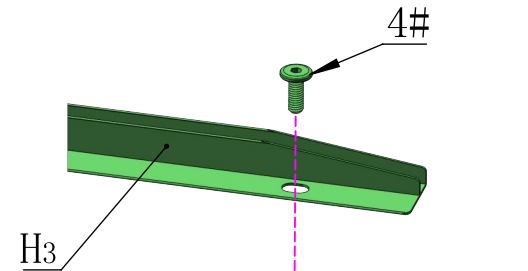
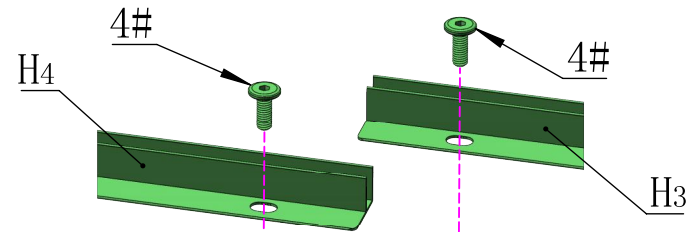
H4 1X

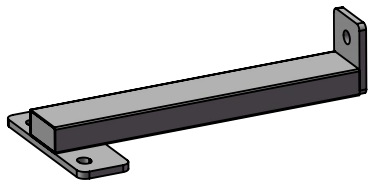


4# 8X

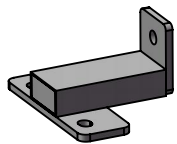


24# 1X

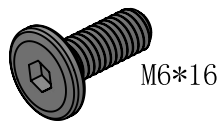




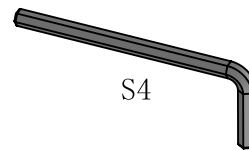
01 1X



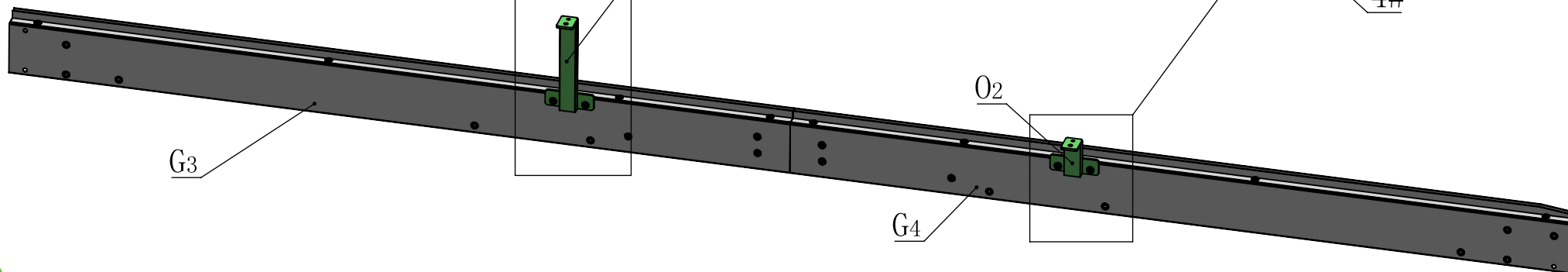
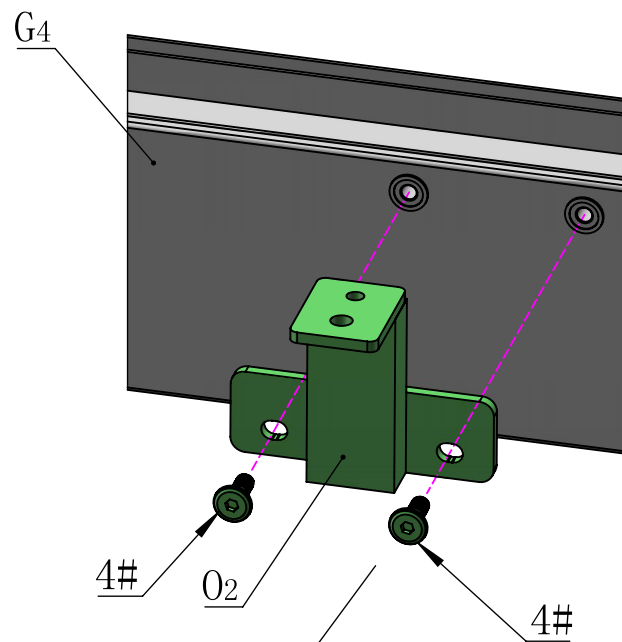
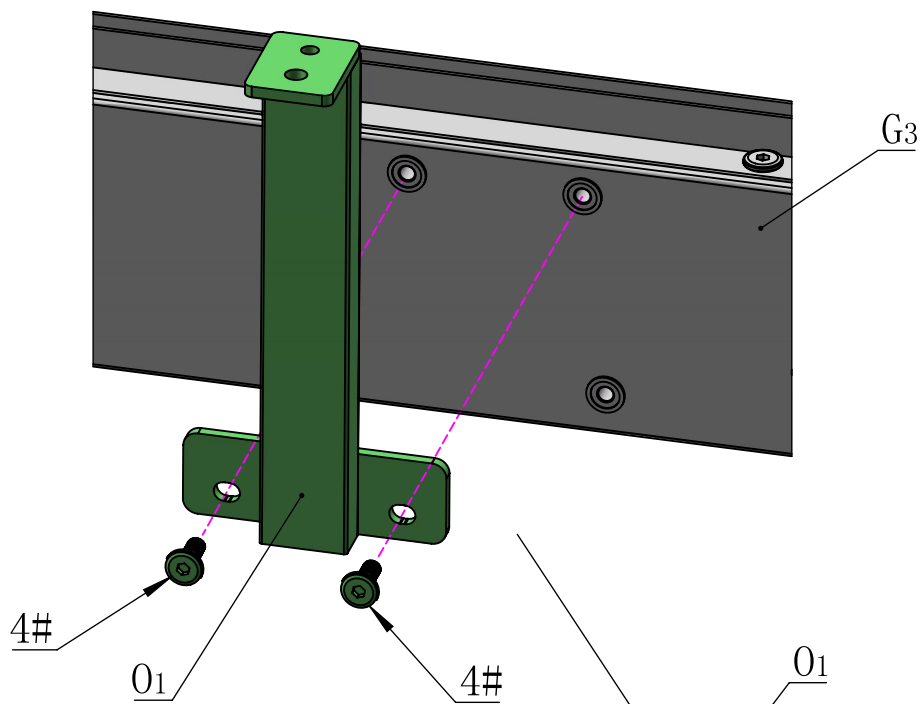
02 1X

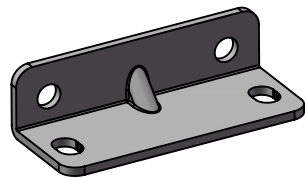


4# 4X

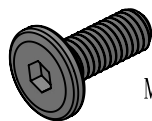


24# 1X



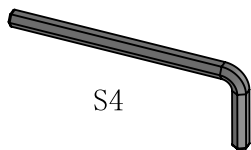


R2 2X



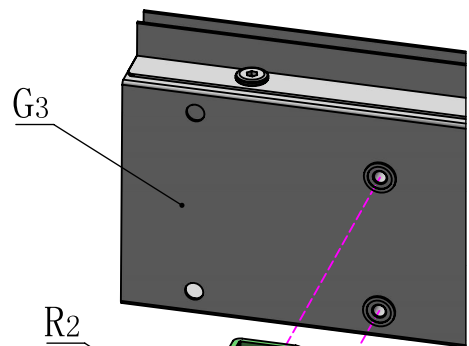
M6*16

4# 4X



S4

24# 1X

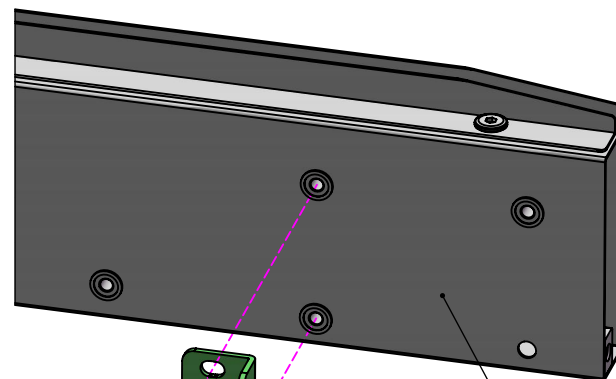


G3

R2

4#

4#

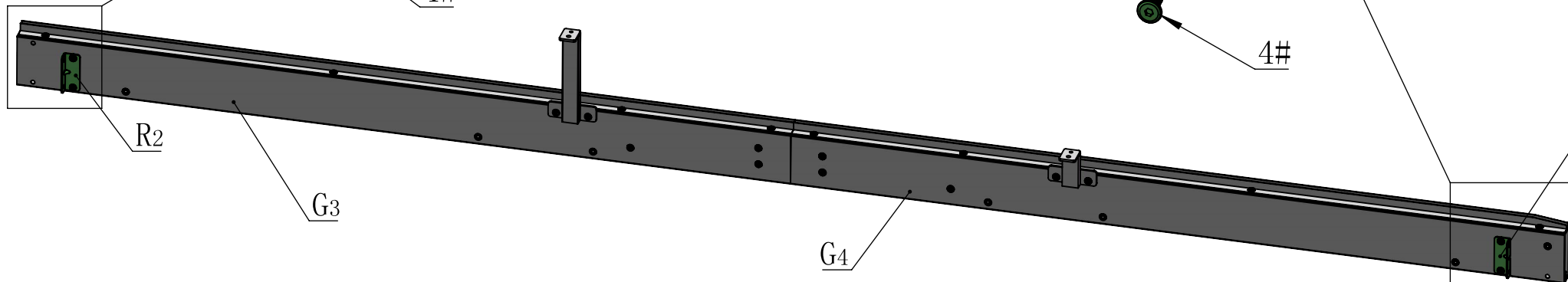


R2

4#

4#

G4



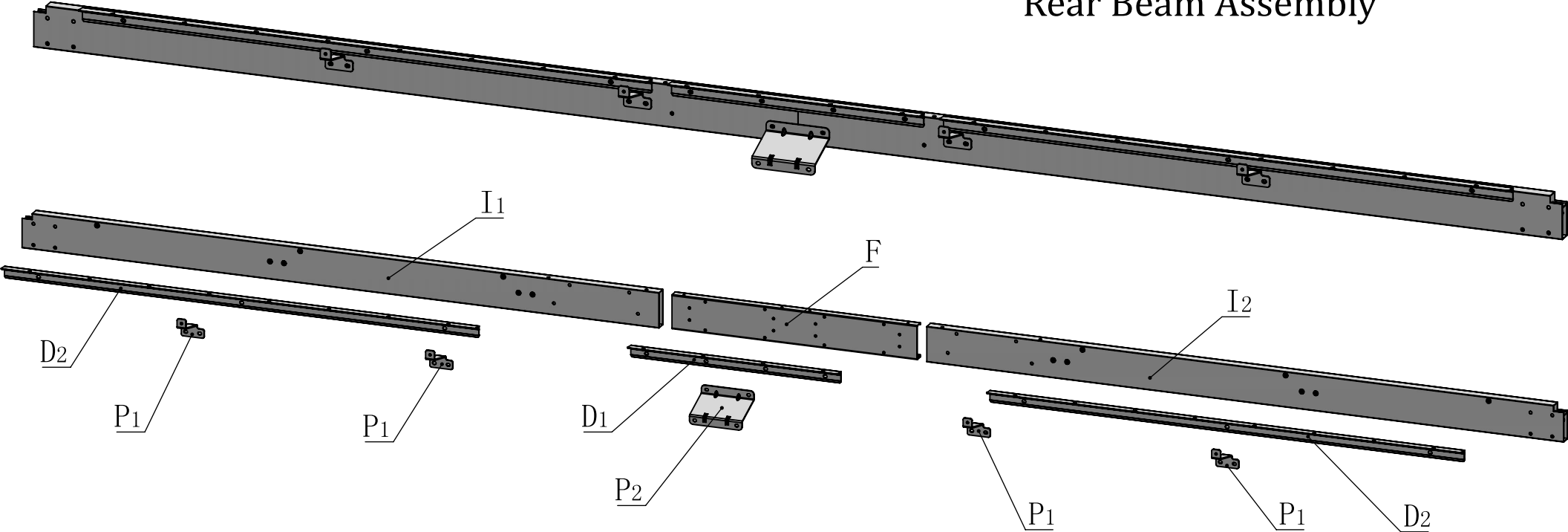
R2

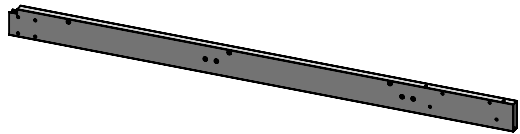
G3

G4

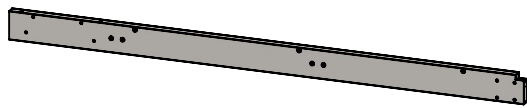
R2

Rear Beam Assembly

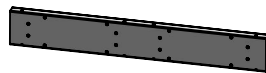




I1 1X



I2 1X

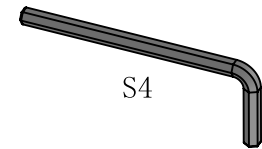


F 1X



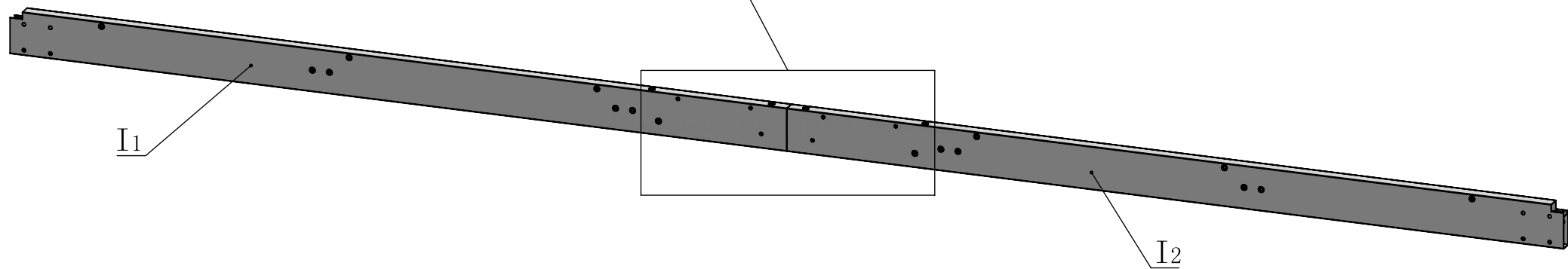
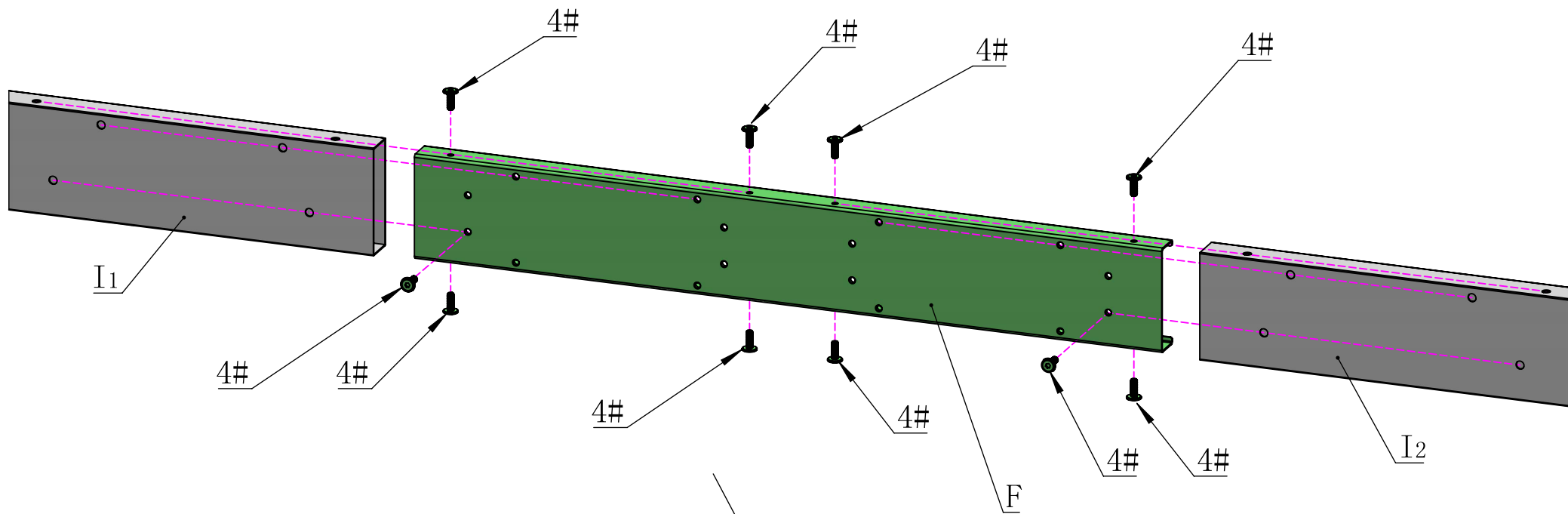
M6*16

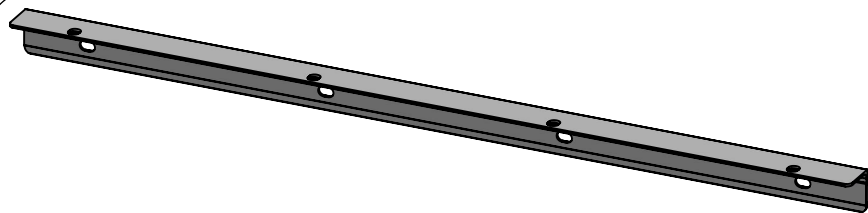
4# 10X



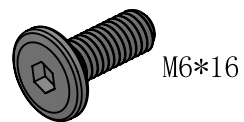
S4

24# 1X

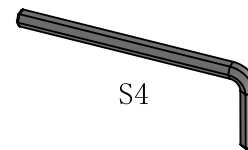




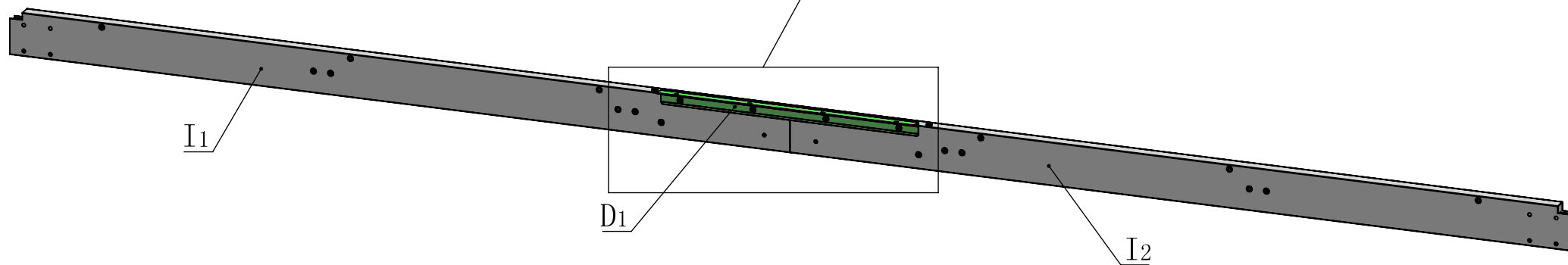
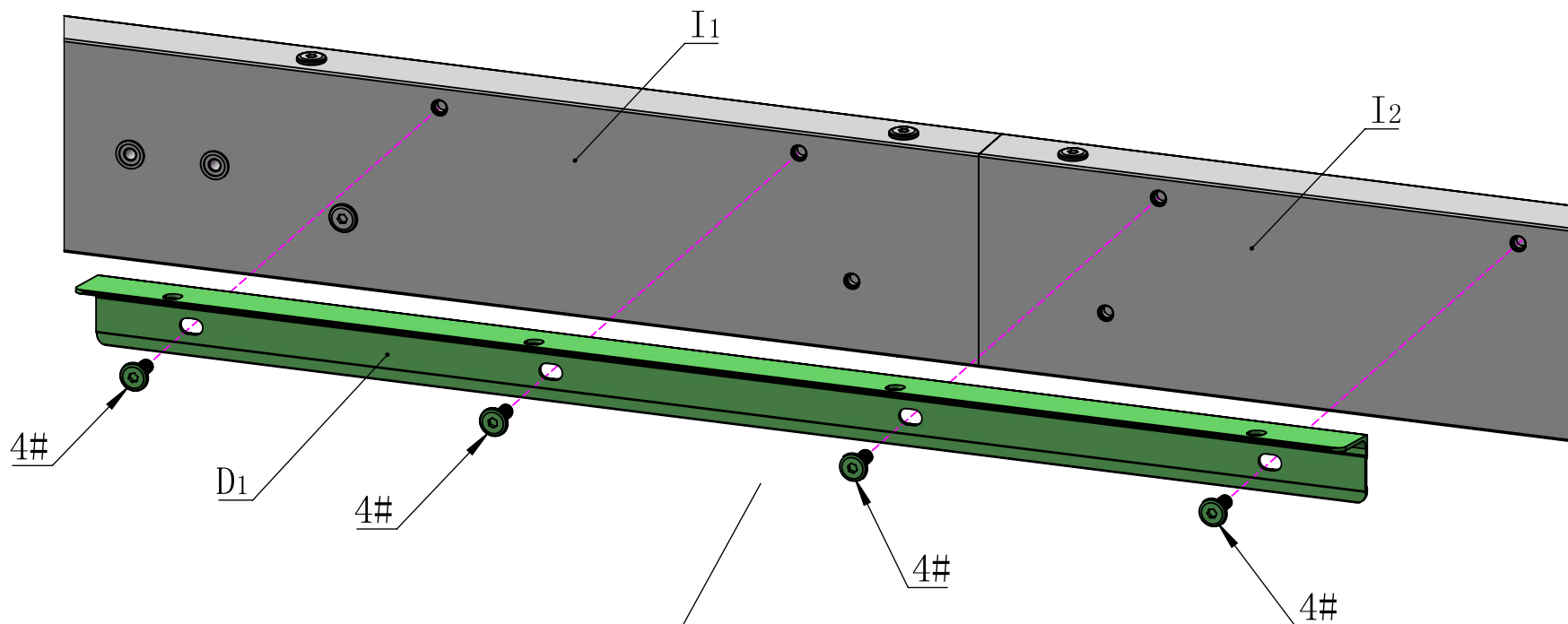
D1 1X

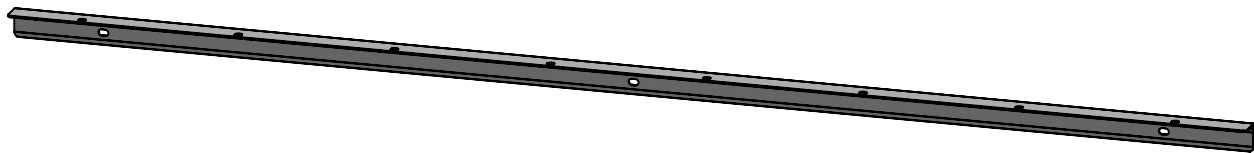


M6*16
4# 4X

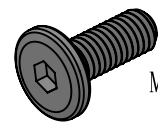


S4
24# 1X



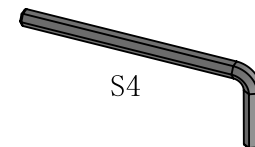


D2 2X



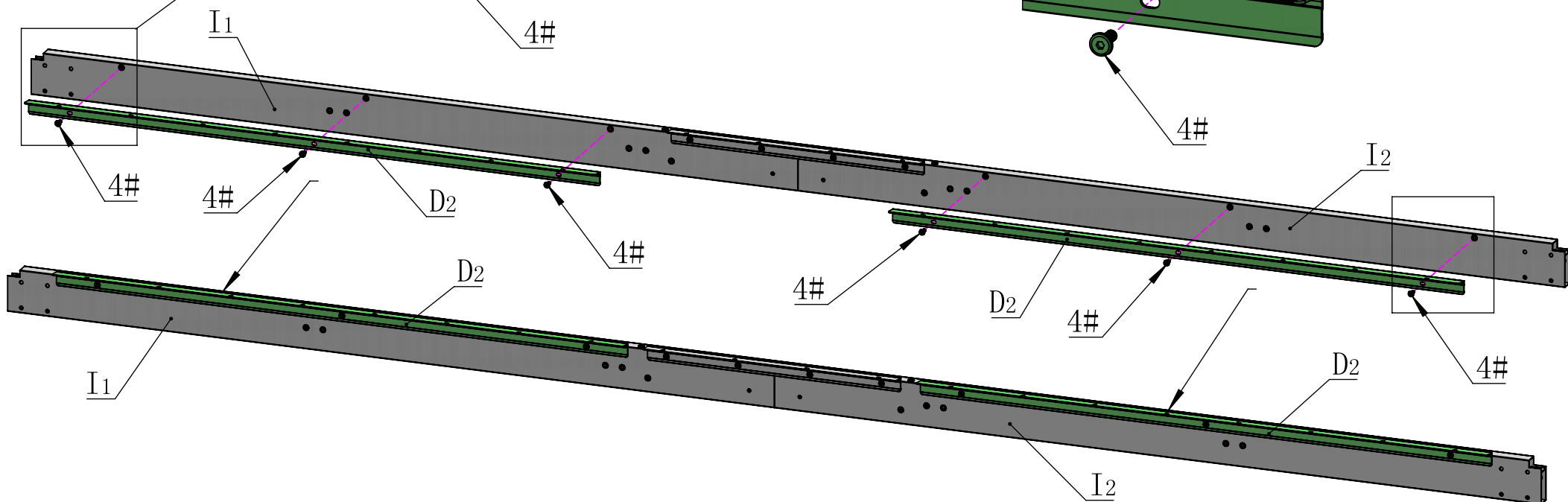
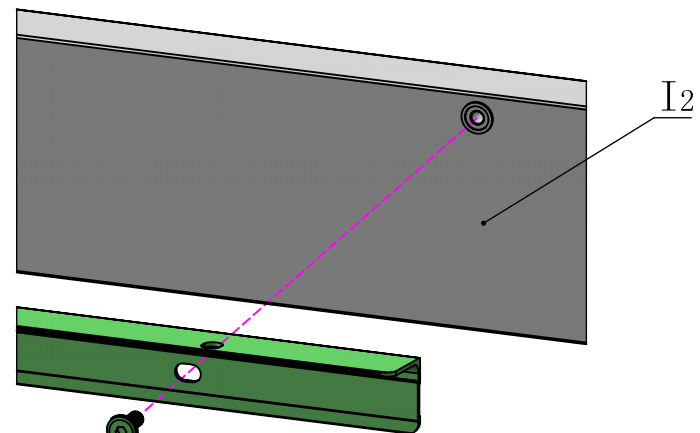
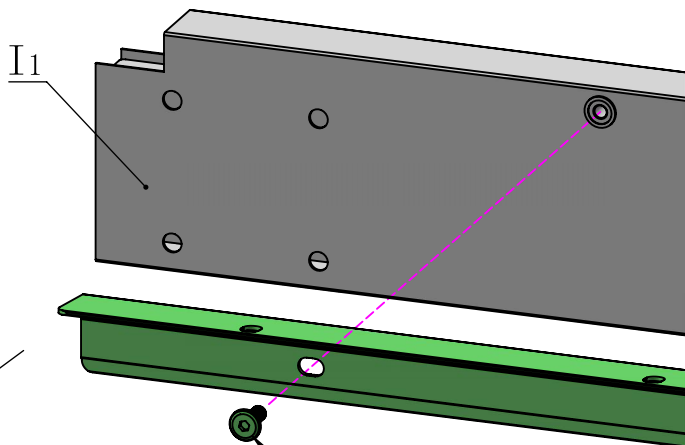
M6*16

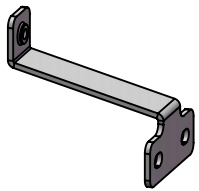
4# 6X



S4

24# 1X





P1

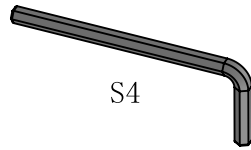
4X



M6*16

4#

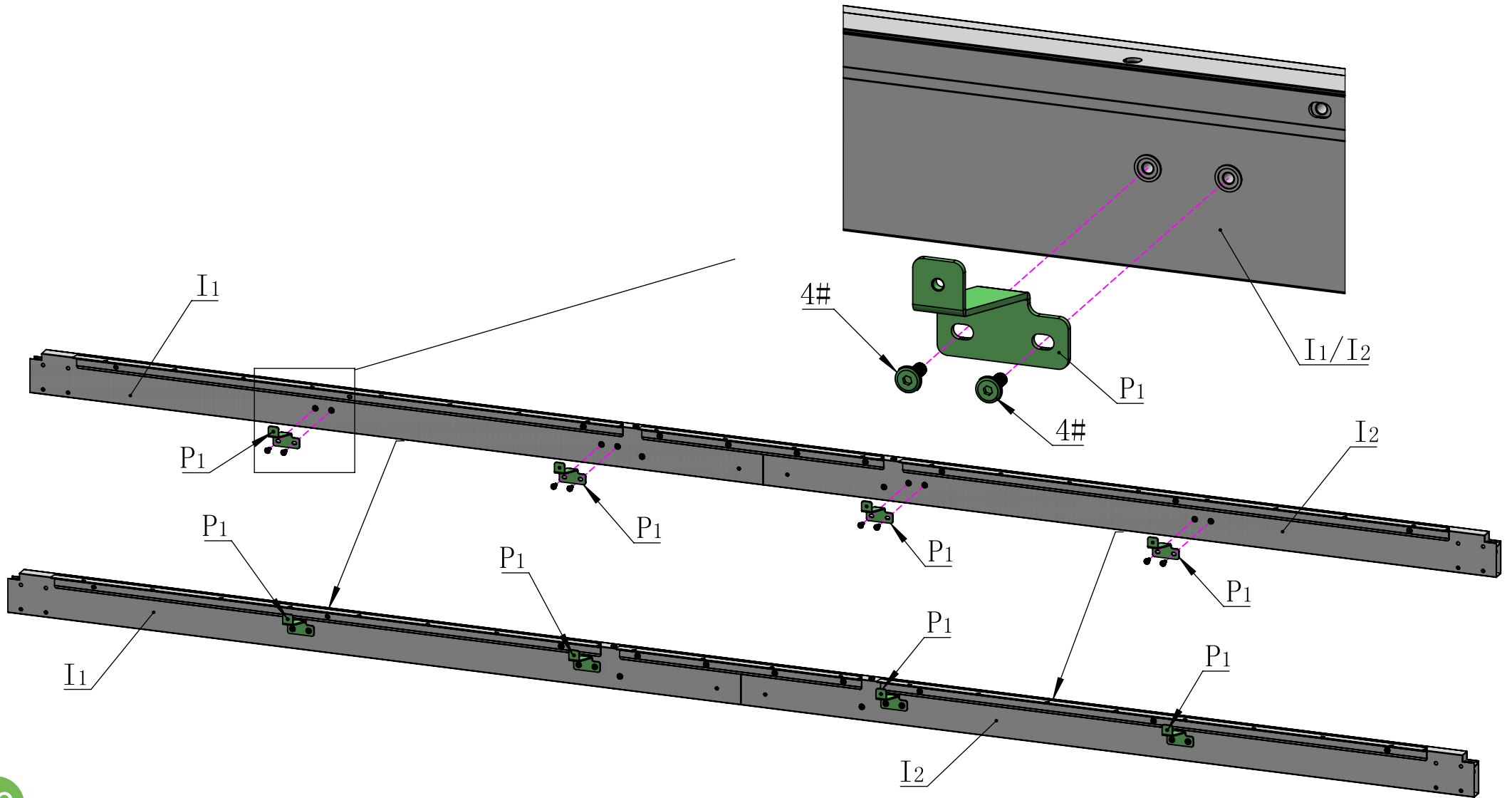
8X

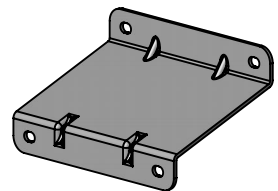


S4

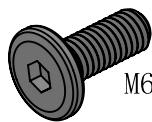
24#

1X



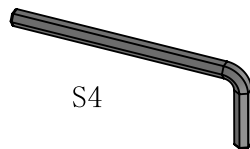


P2 1X



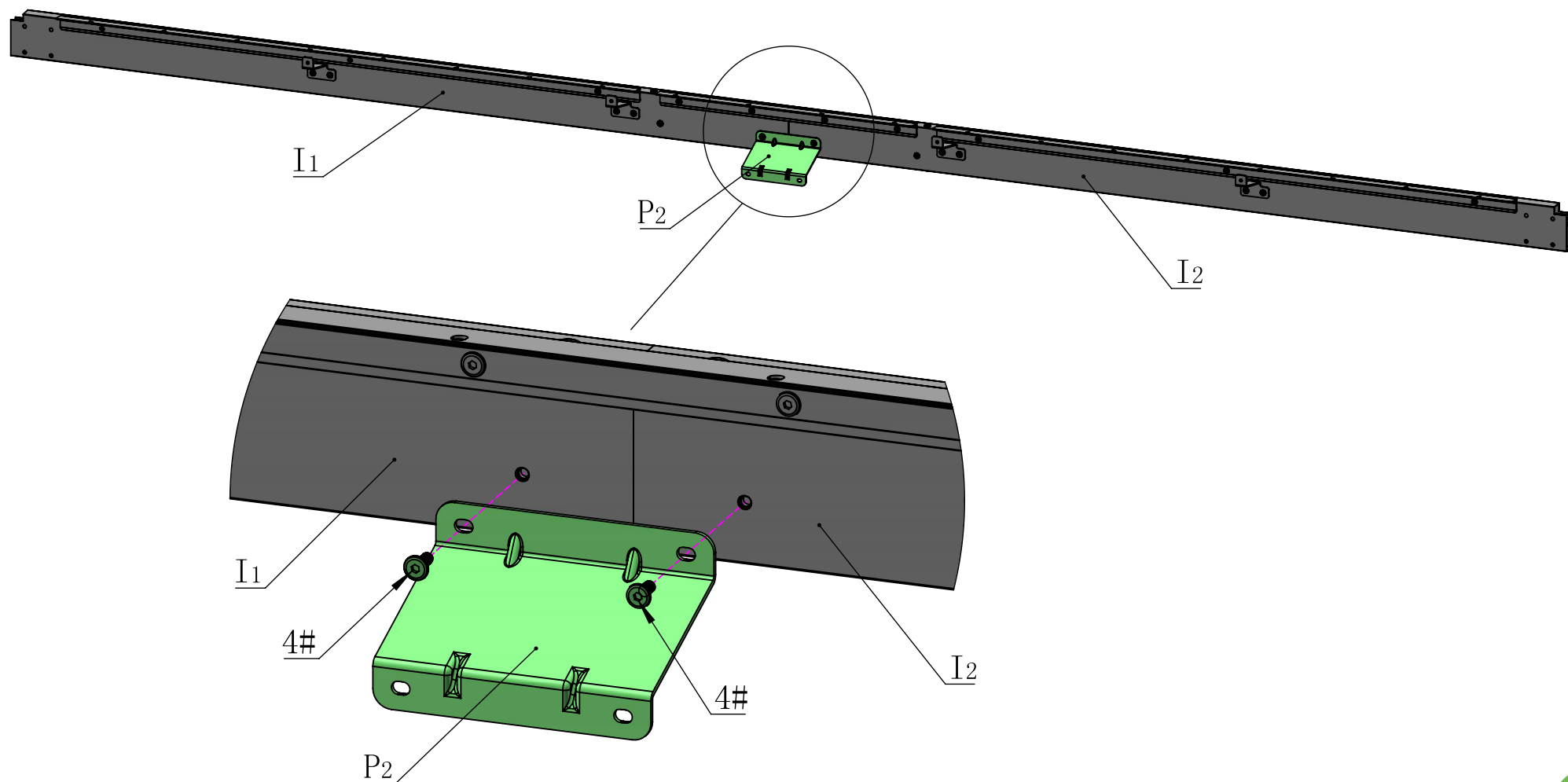
M6*16

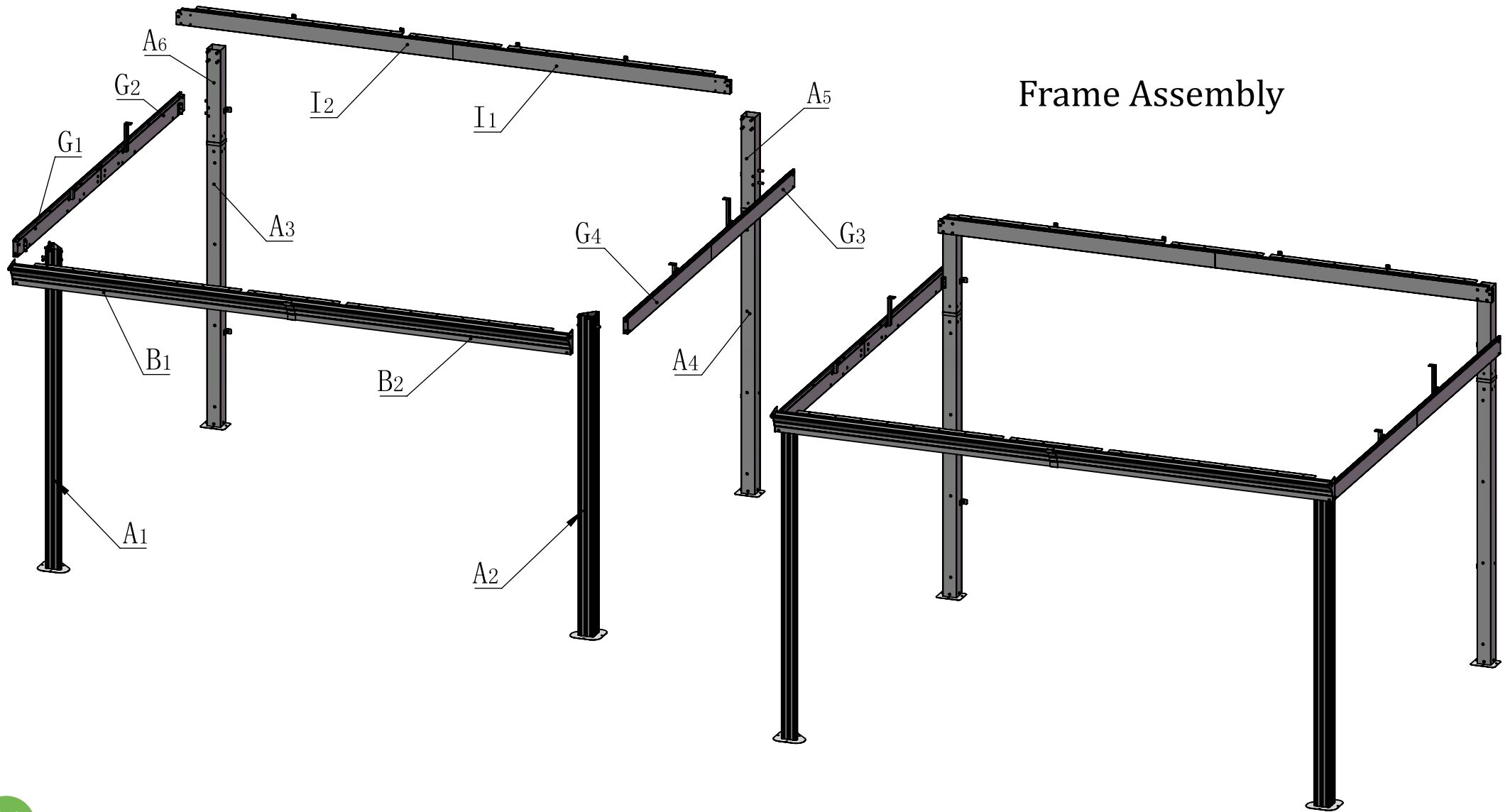
4# 2X



S4

24# 1X

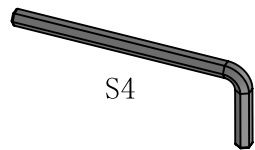




Frame Assembly



M6*16



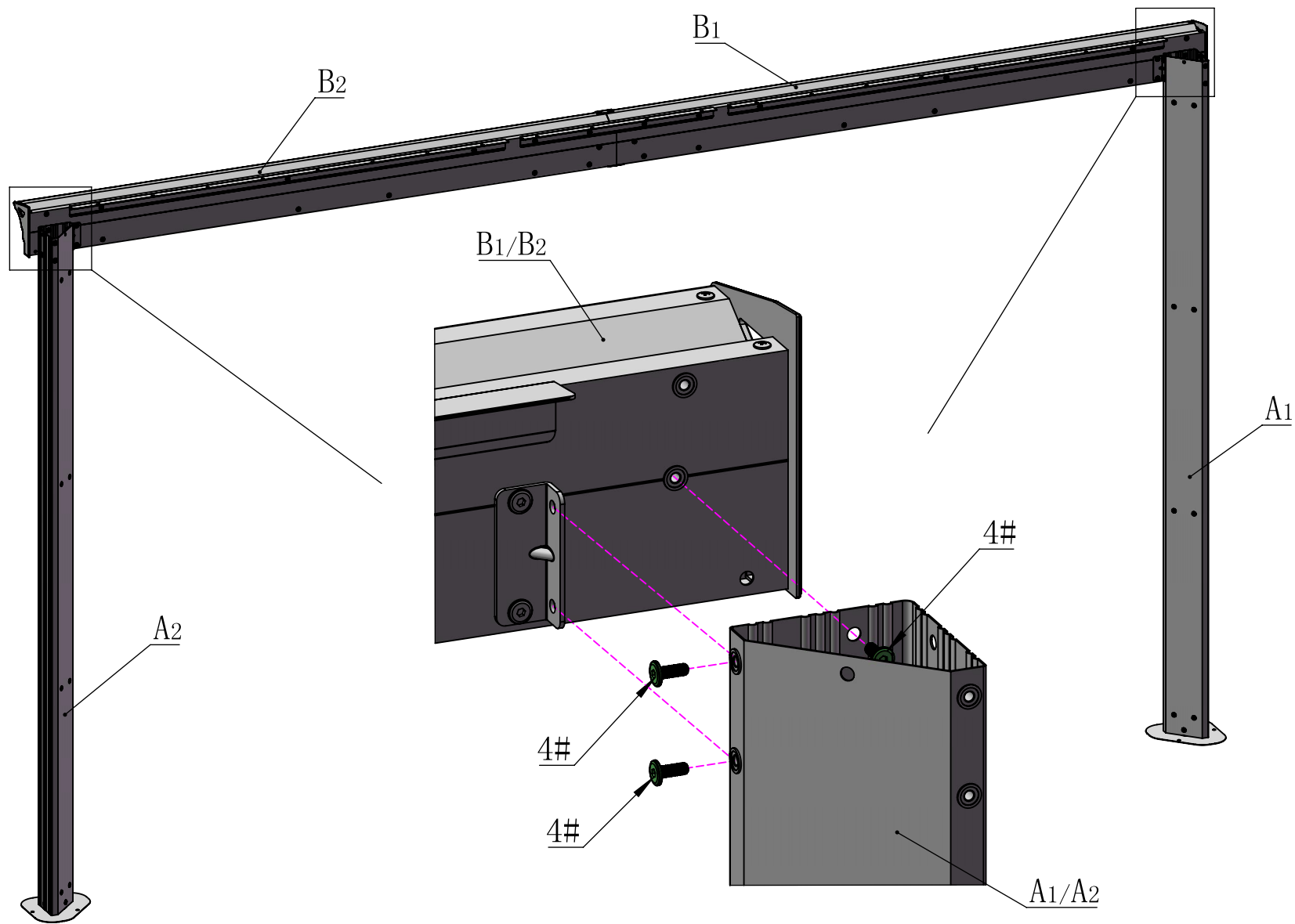
S4

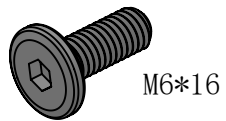
4#

6X

24#

1X

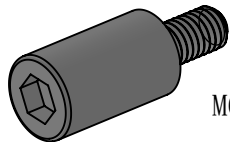




M6*16

4#

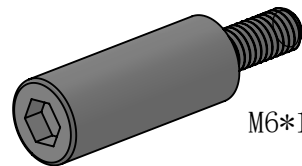
10X



M6*12 (L20)

7#

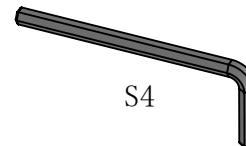
2X



M6*15 (L30)

8#

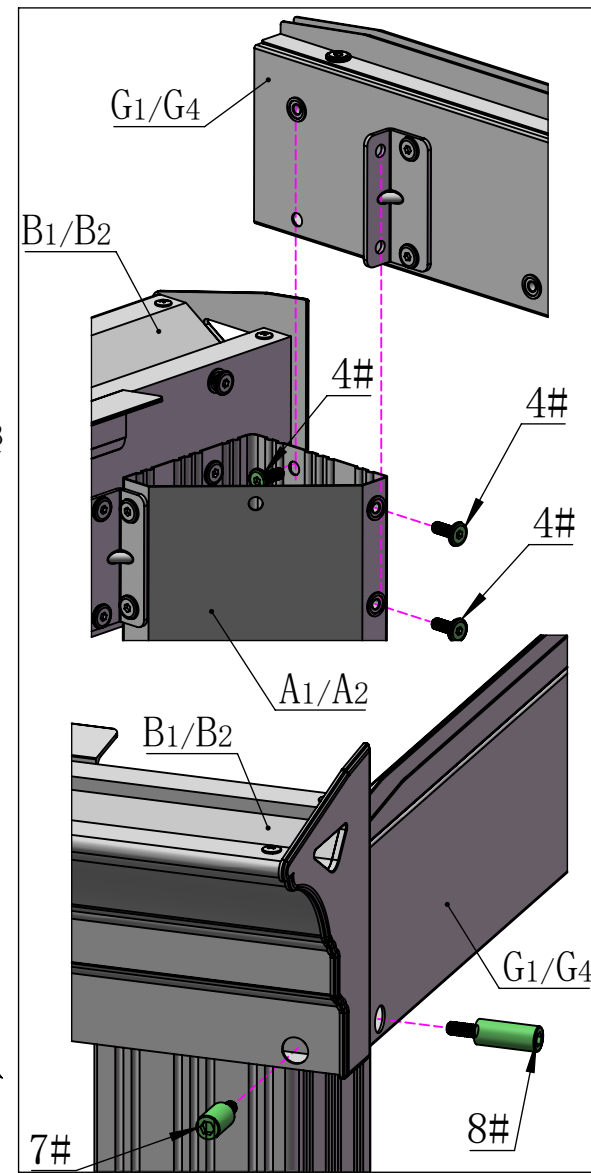
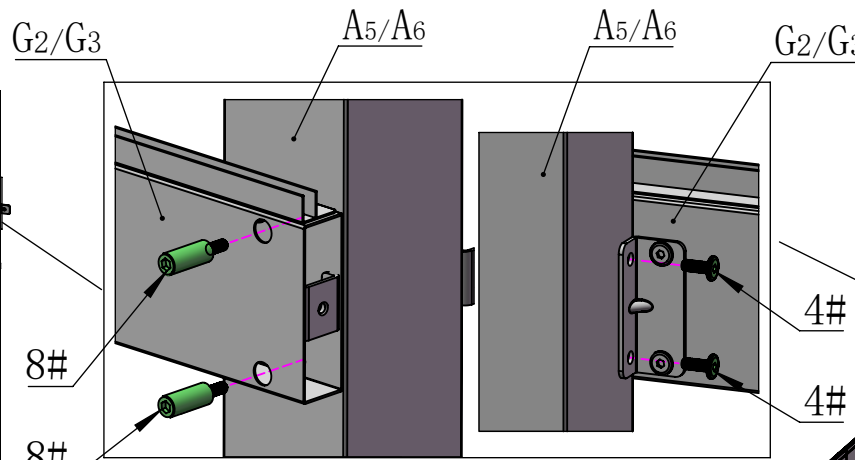
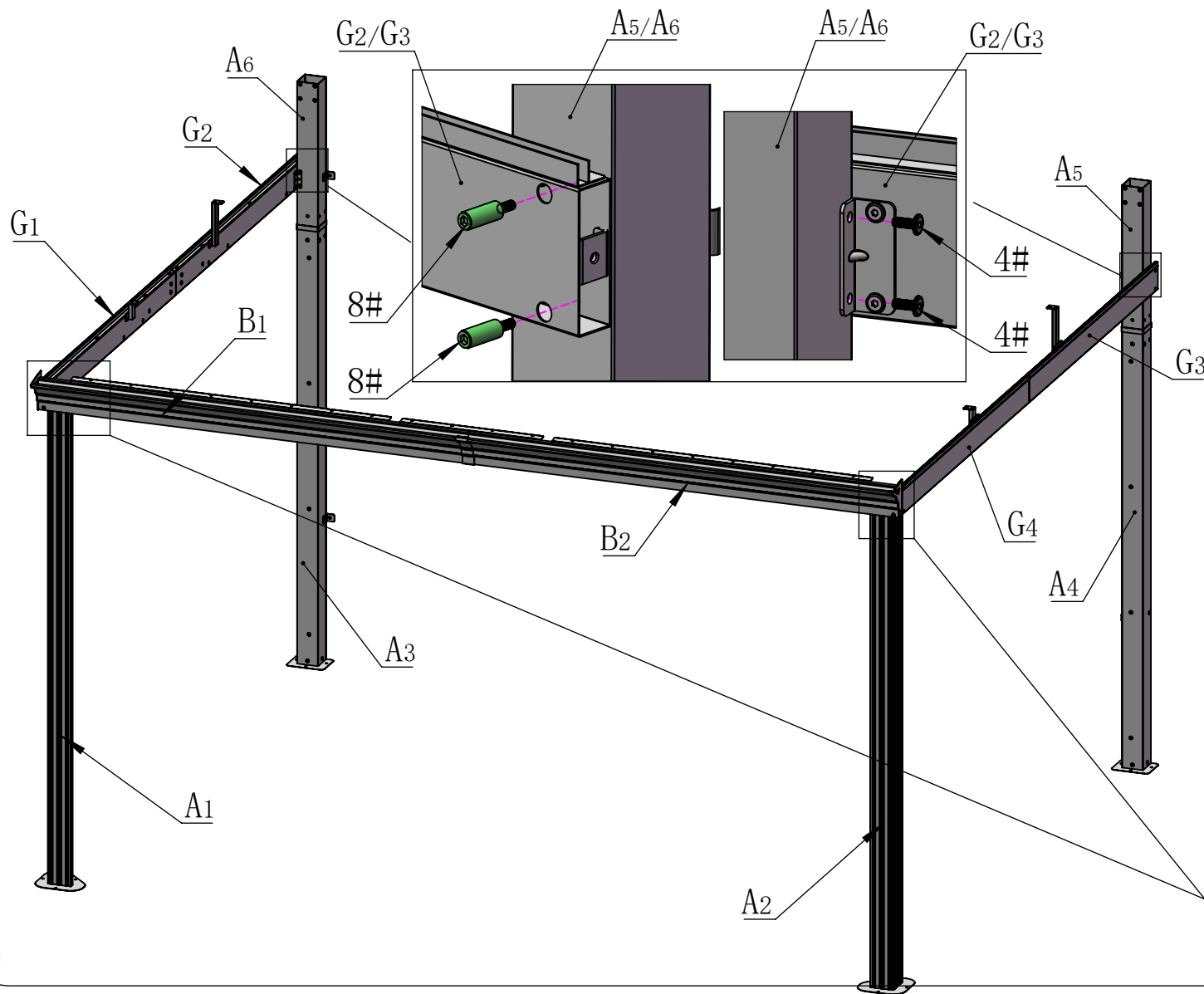
6X

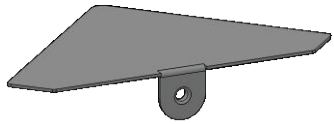


S4

24#

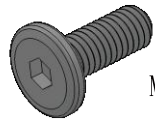
1X





Q

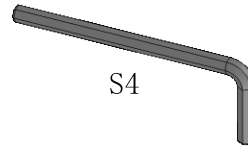
2X



M6*16

4#

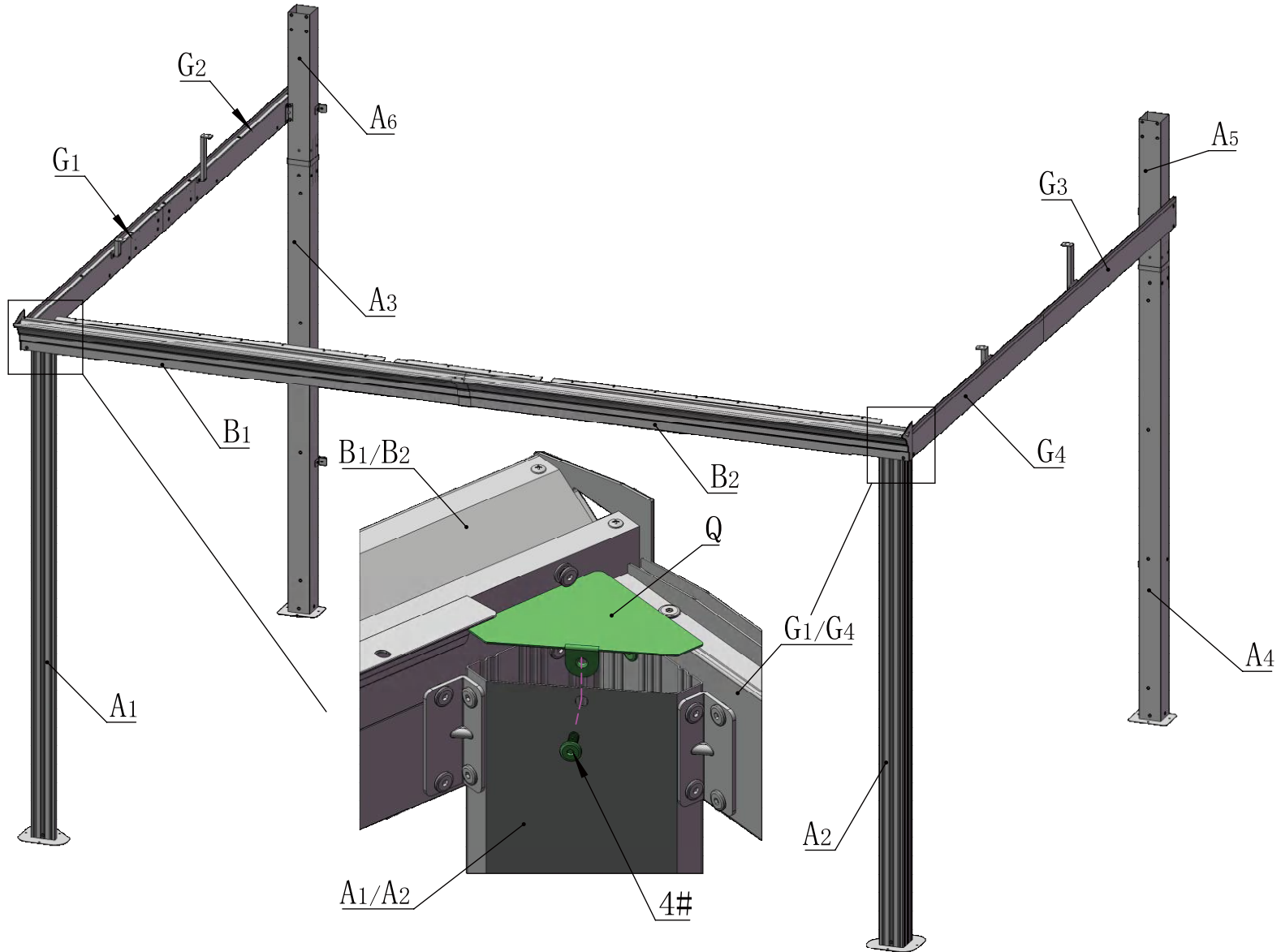
2X

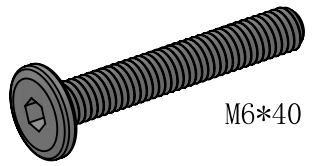


S4

24#

1X

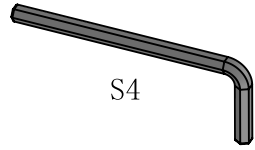




M6*40

6#

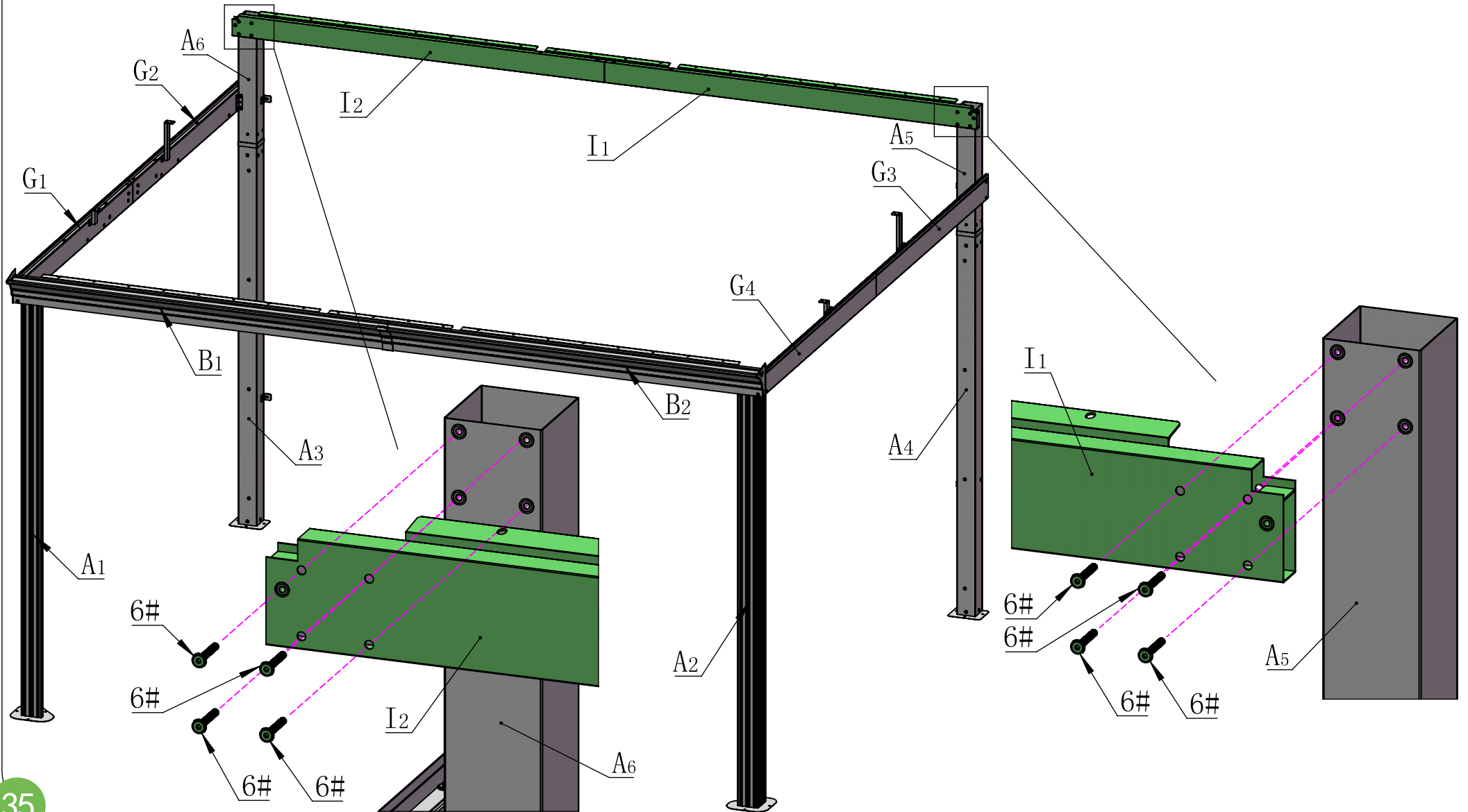
8X



S4

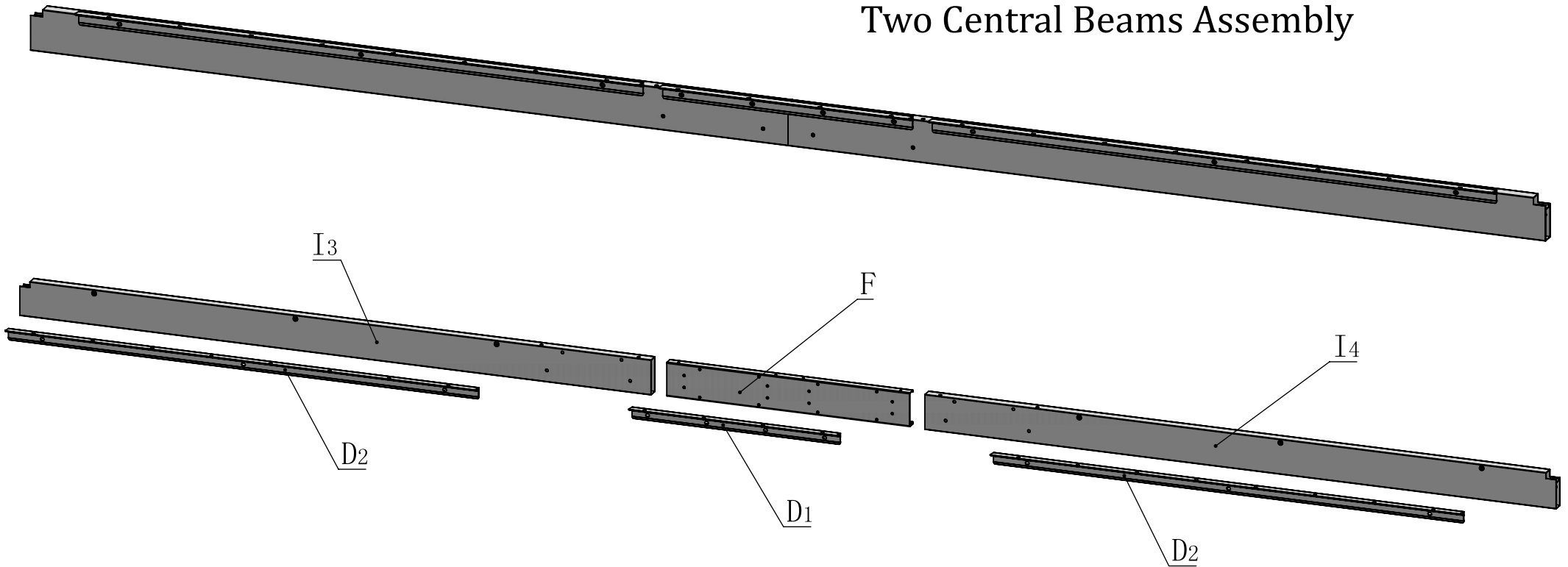
24#

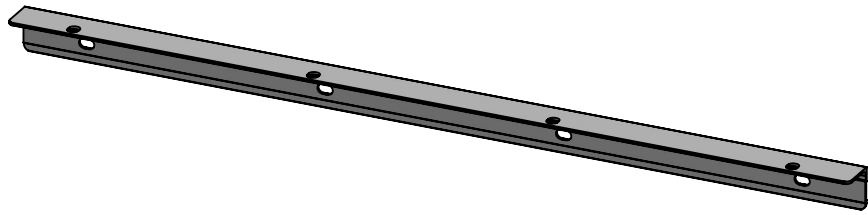
1X



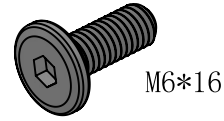
2X

Two Central Beams Assembly

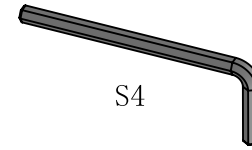




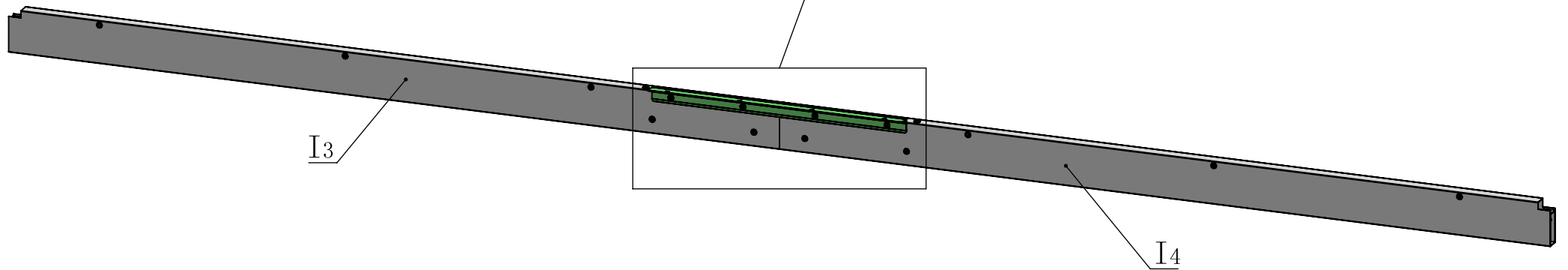
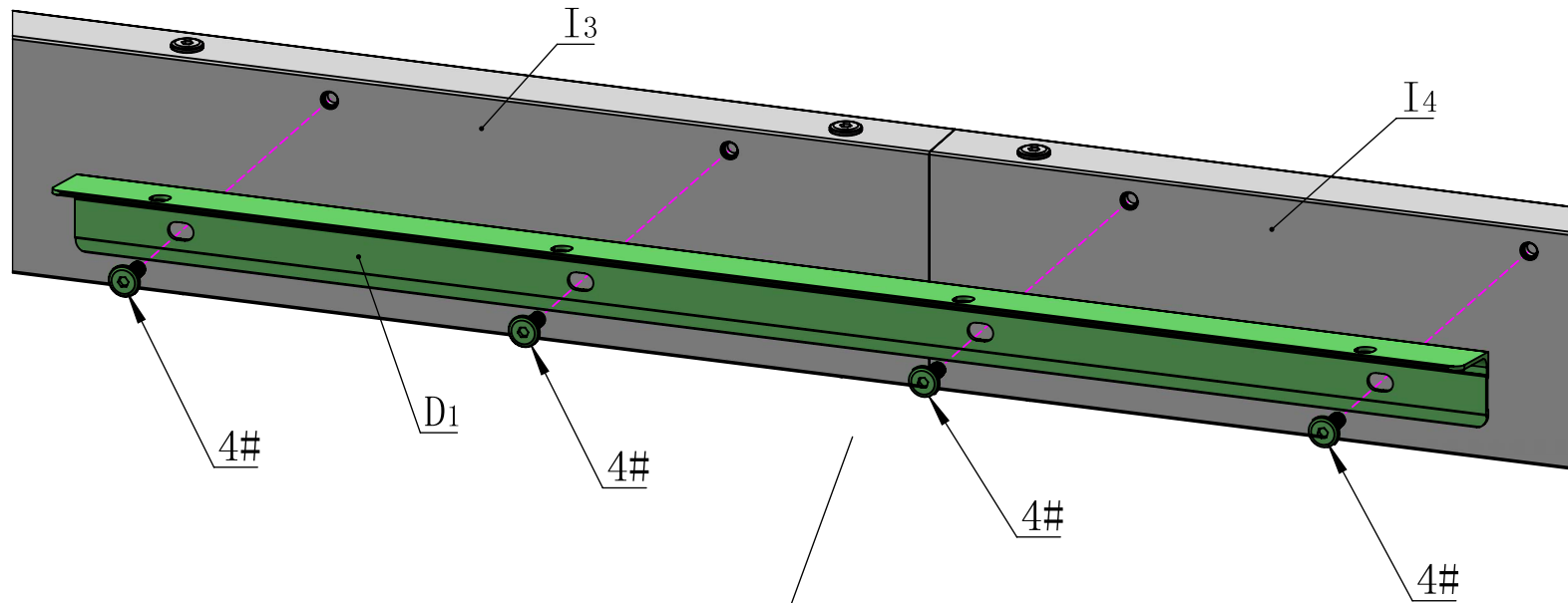
D1 2X

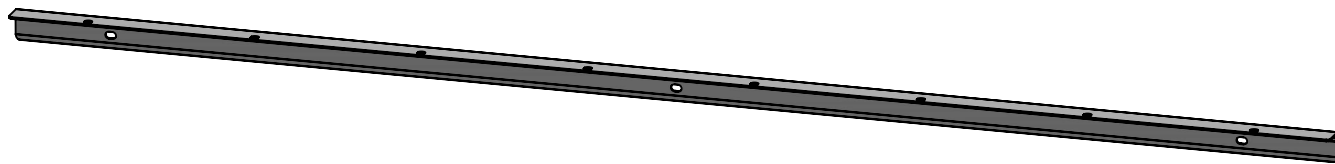


4# 8X

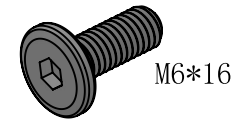


24# 1X





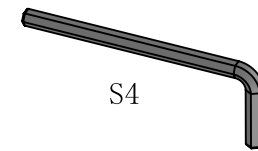
D2 4X



M6*16

4#

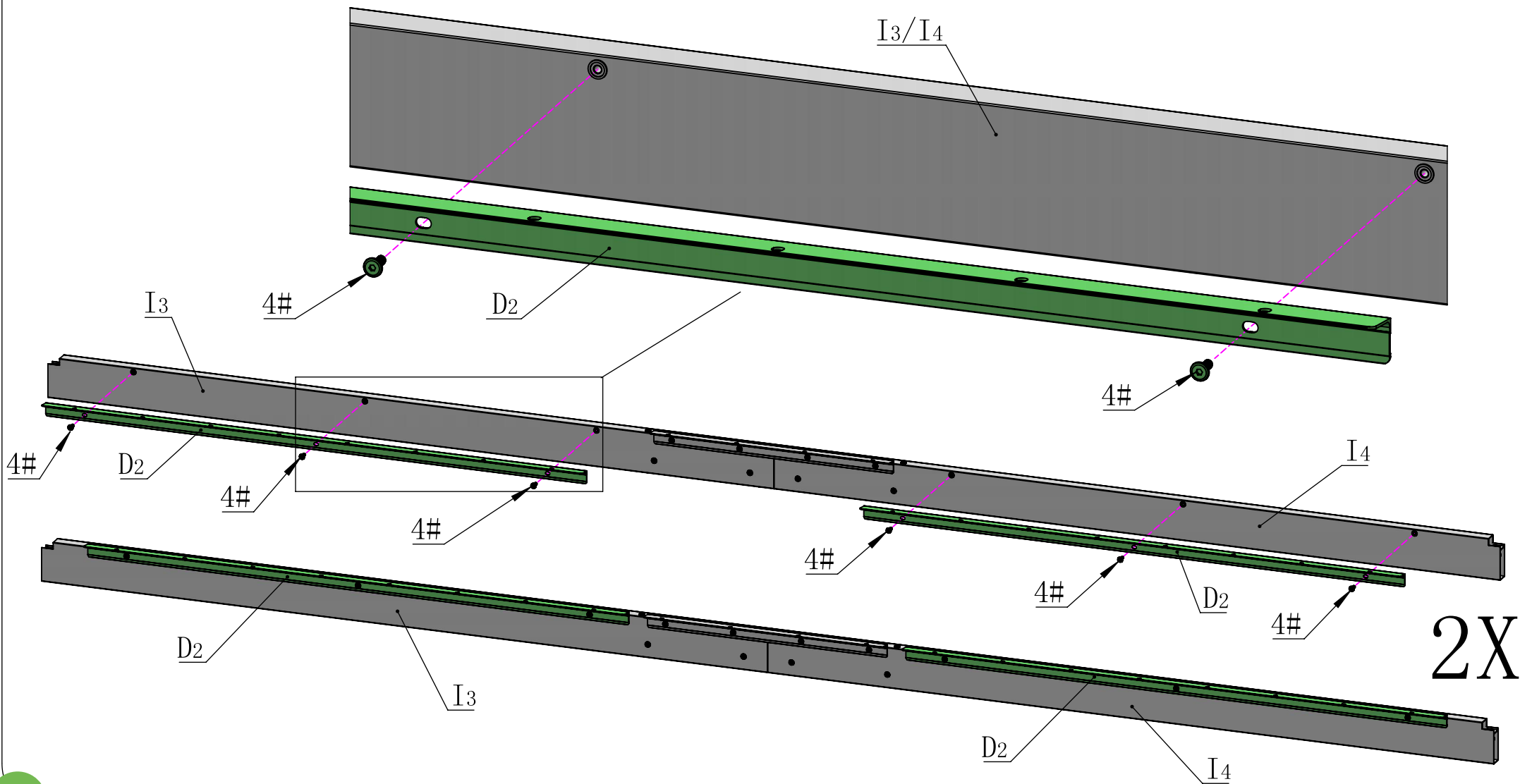
12X

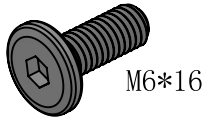


S4

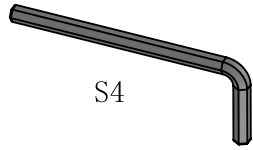
24#

1X





M6*16



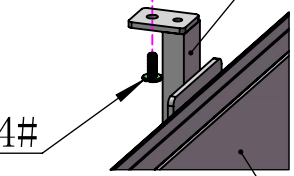
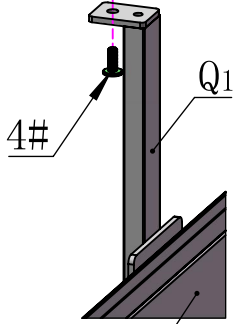
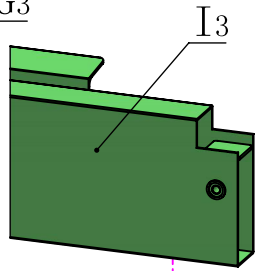
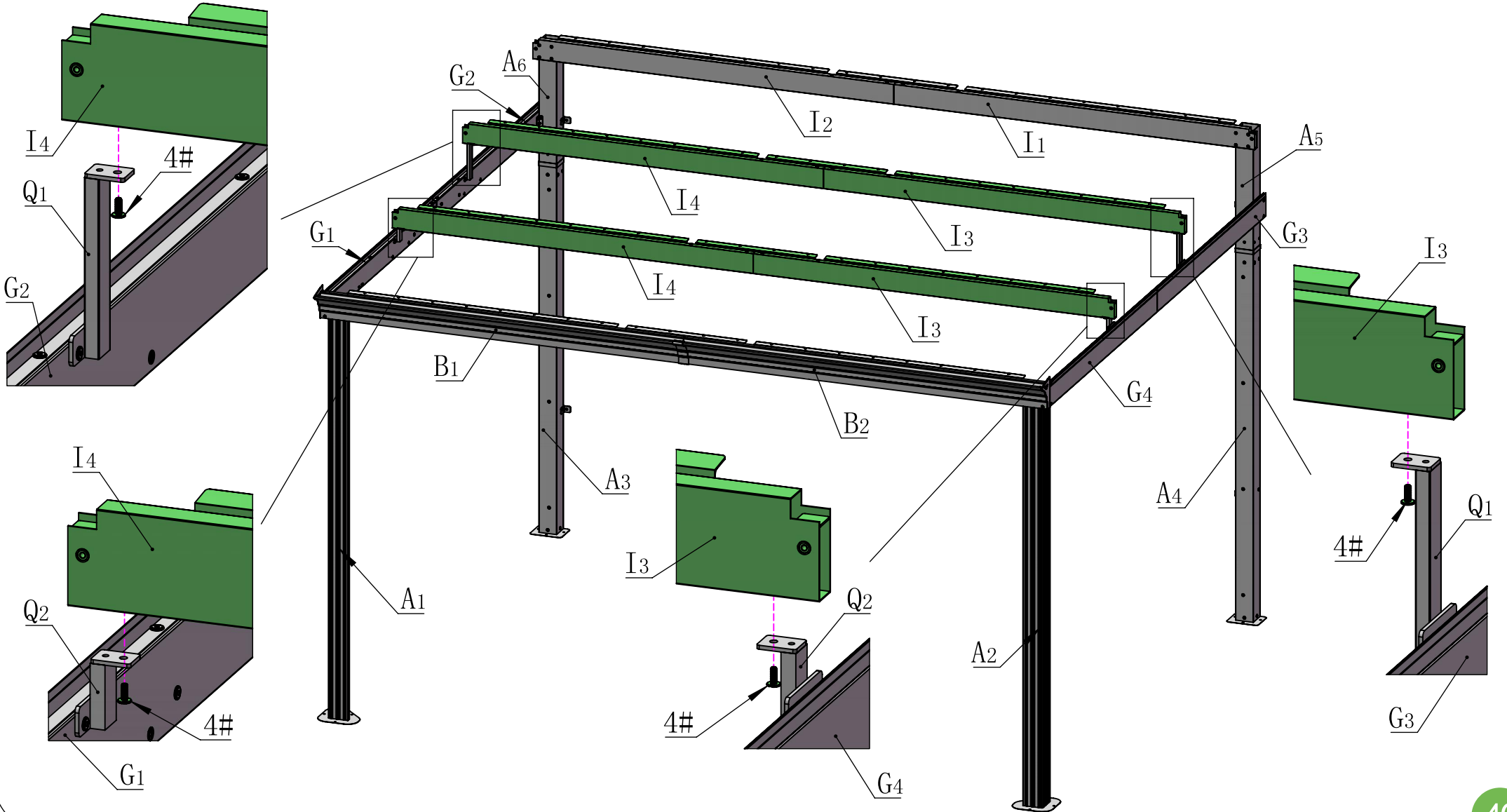
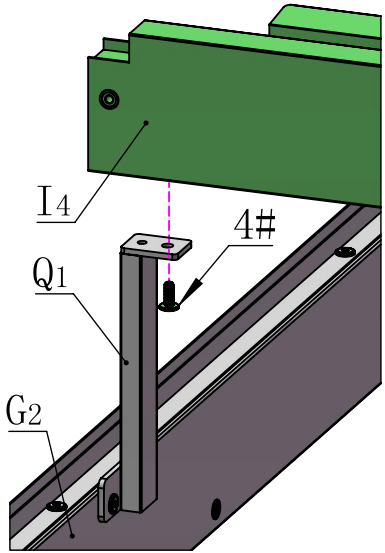
S4

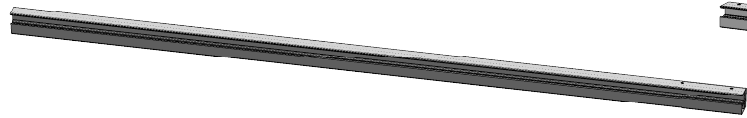
4#

4X

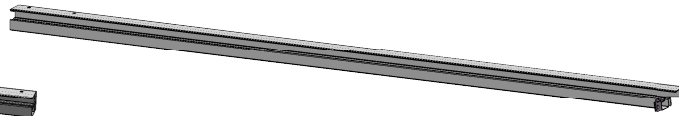
24#

1X





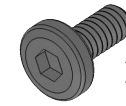
J3 1X



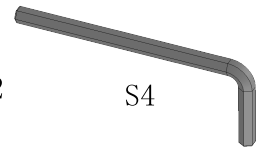
J4 1X



K 1X

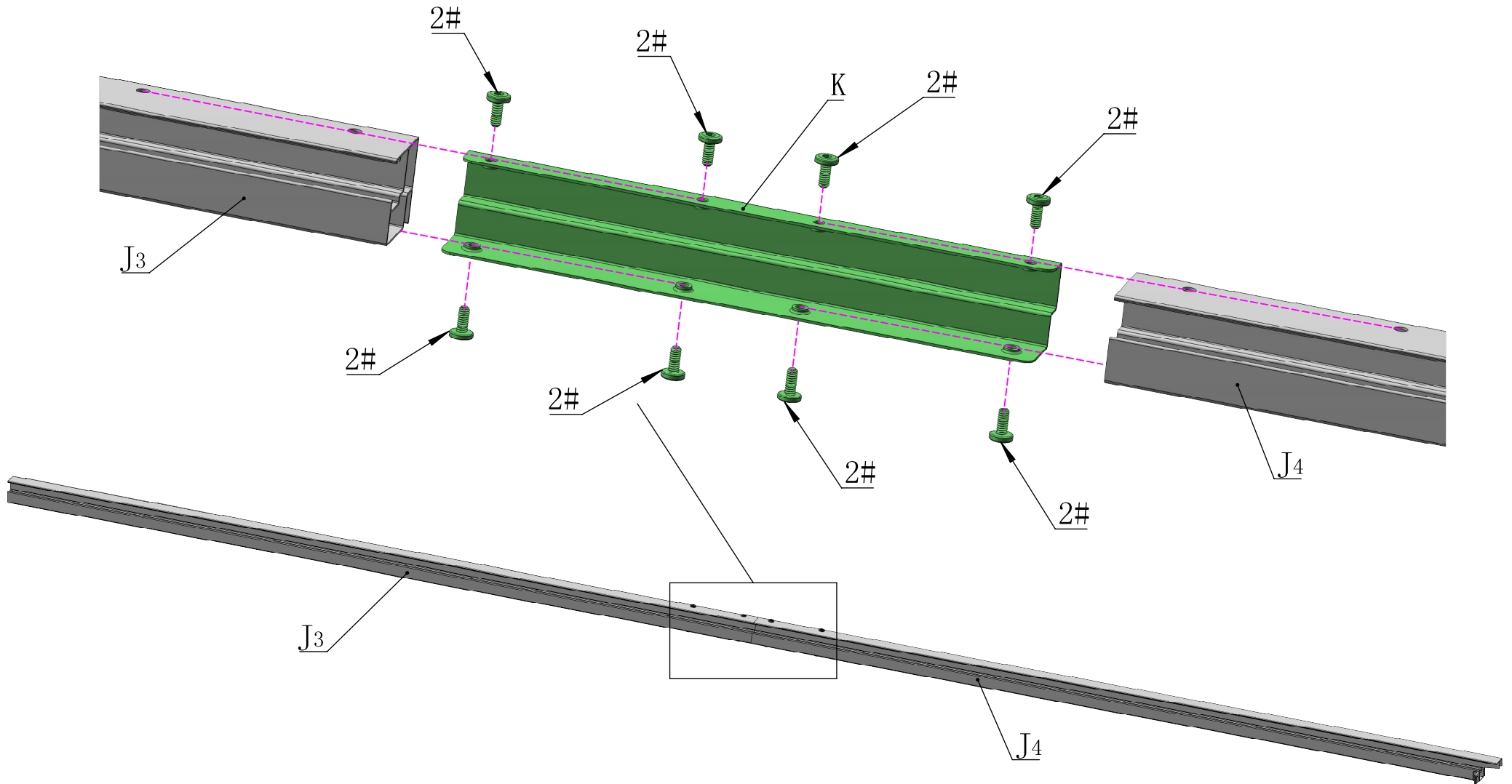


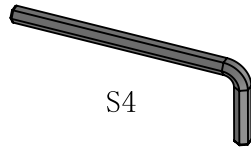
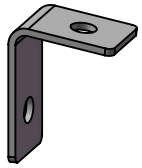
M5*12



S4

2# 8X 24# 1X





T1

6X

4#

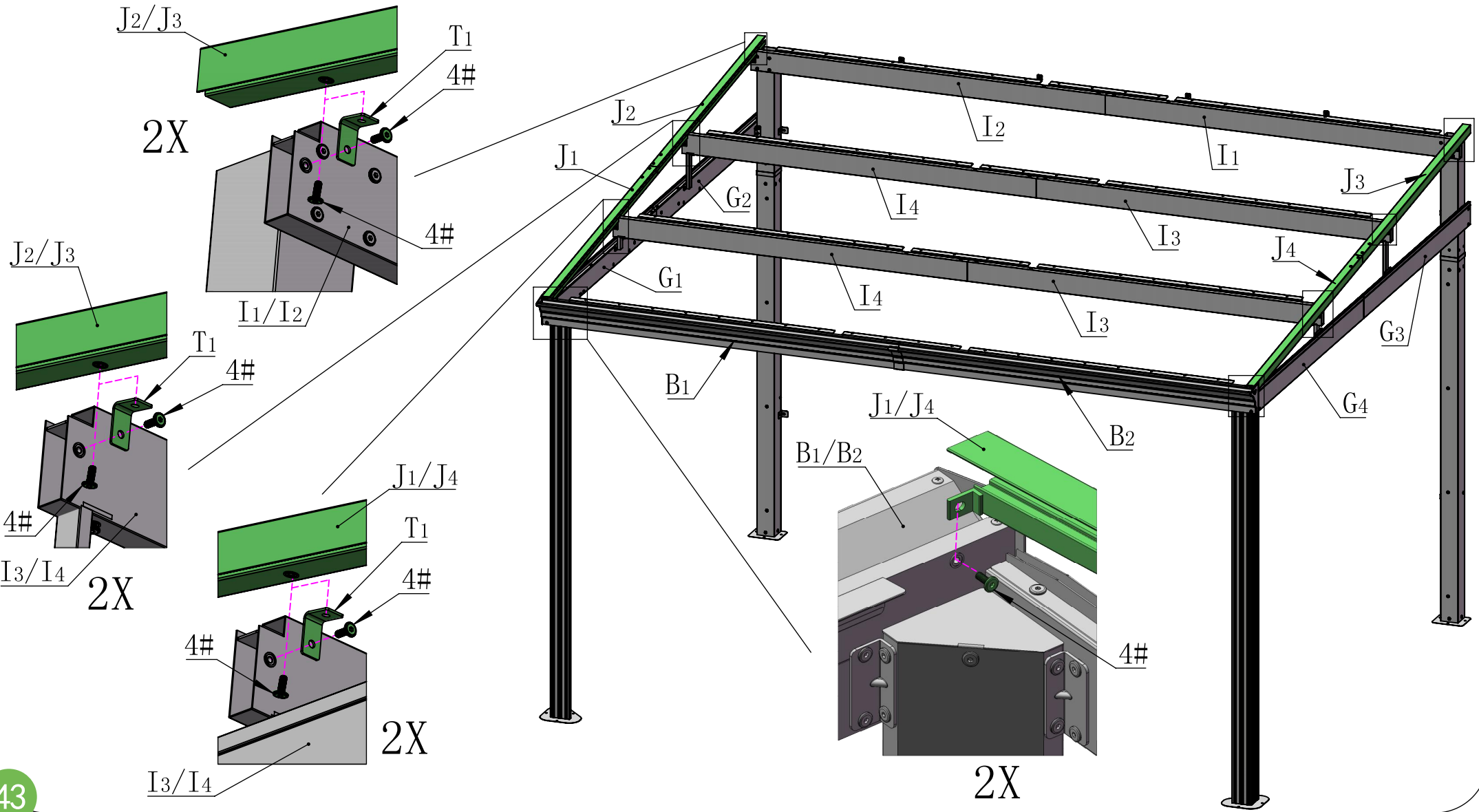
14X

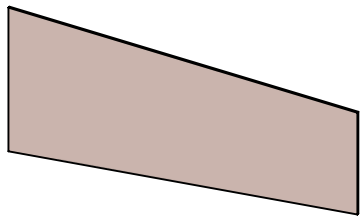
24#

1X

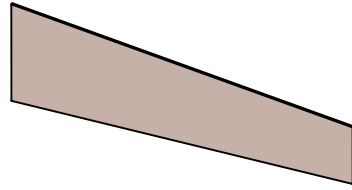
M6*16

S4

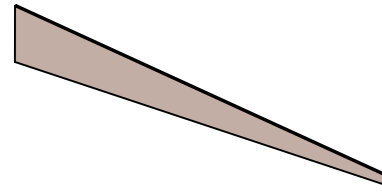




V1 1X



V3 1X



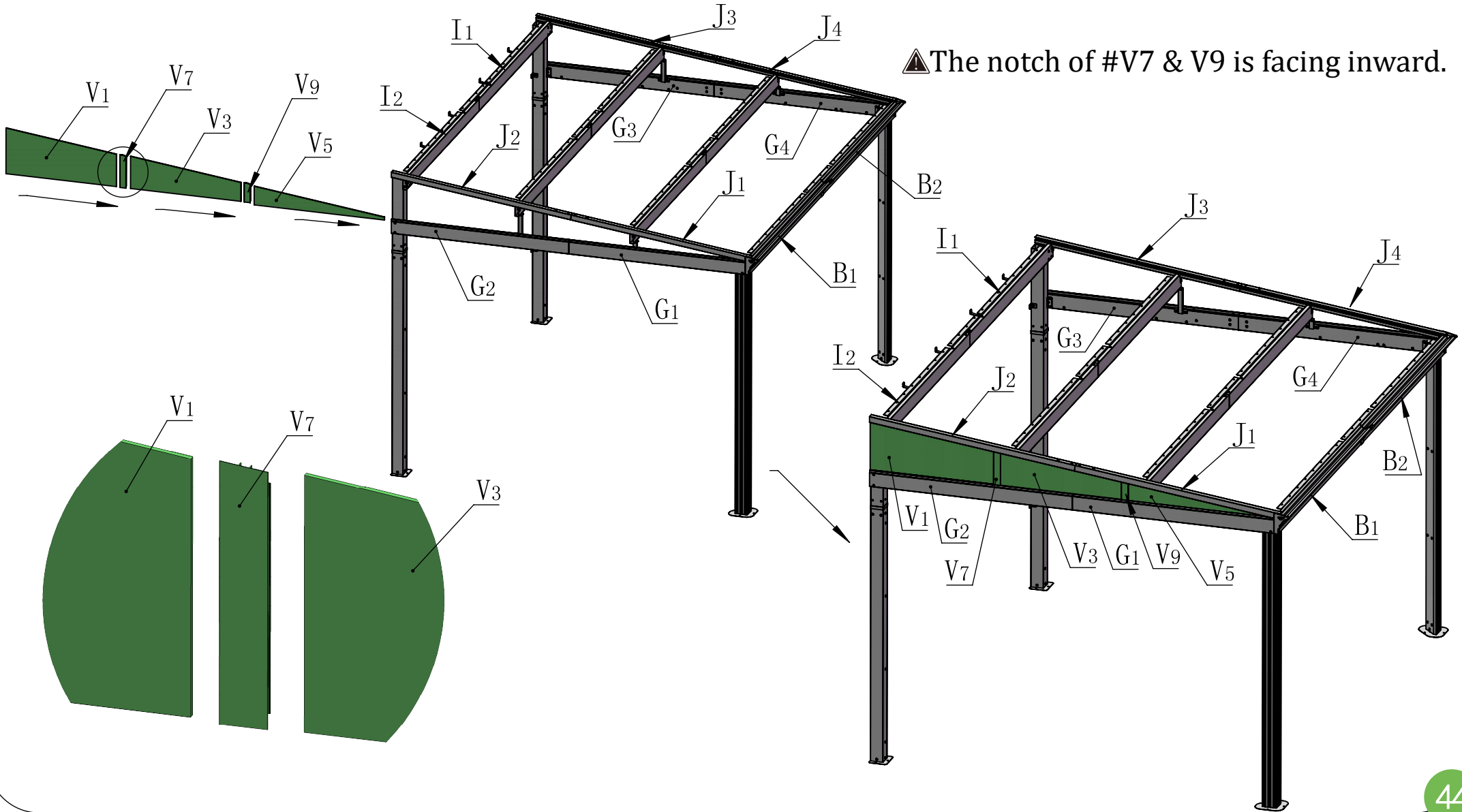
V5 1X

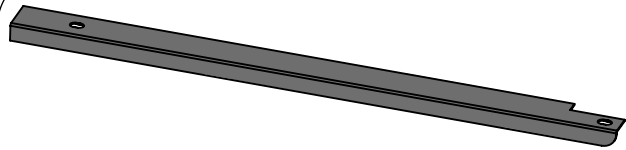


V7 1X

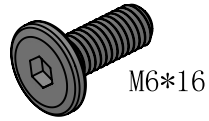


V9 1X

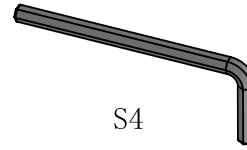




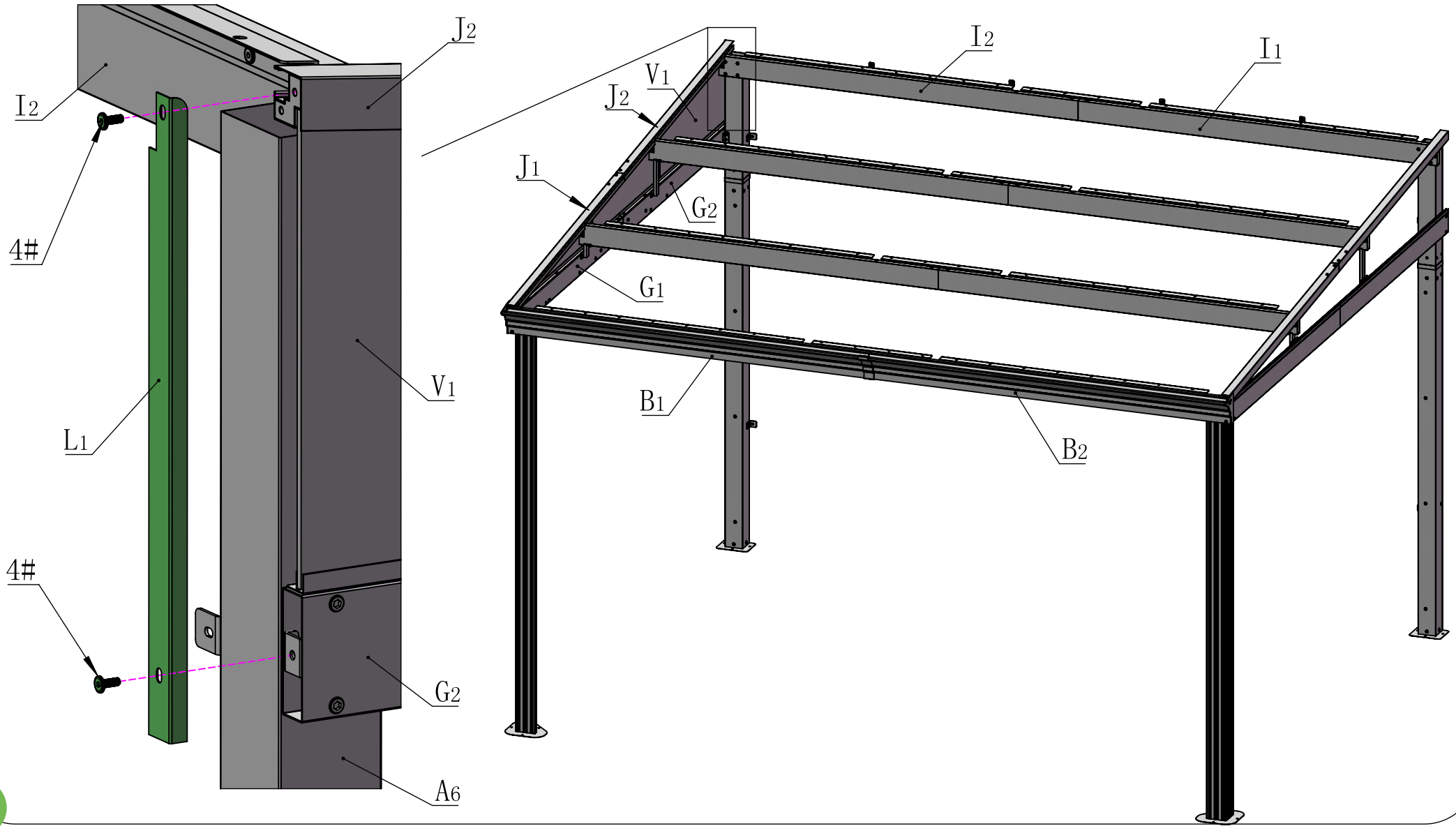
L1 1X

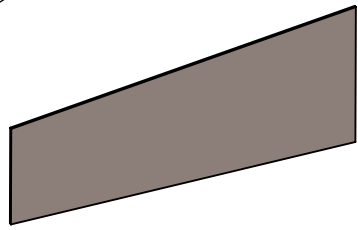


4# 2X

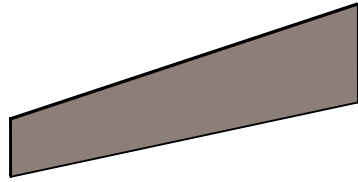


24# 1X

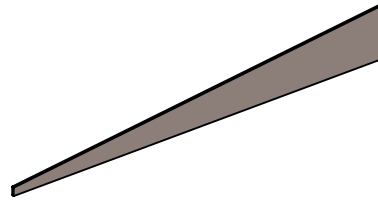




V2 1X



V4 1X



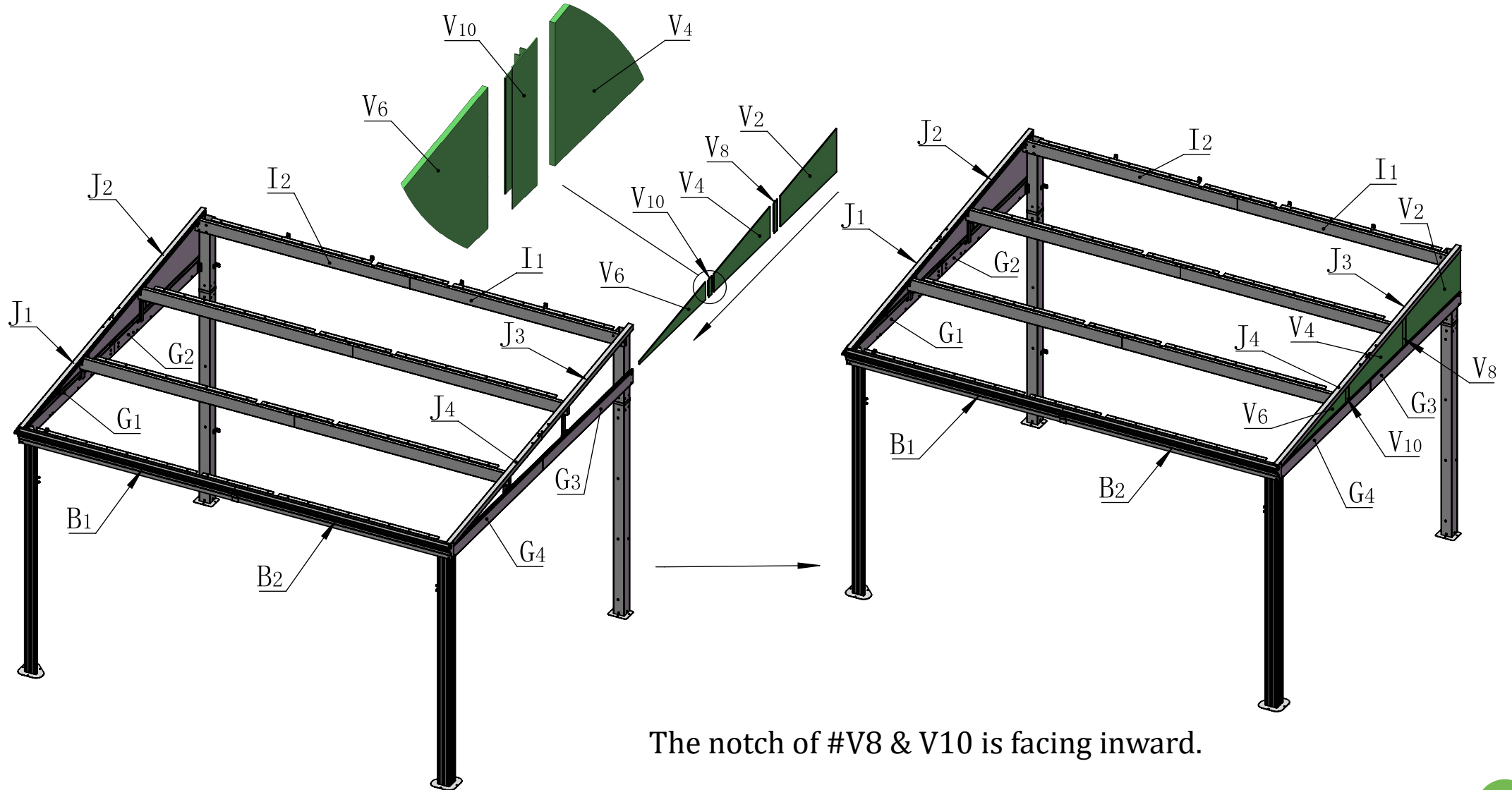
V6 1X



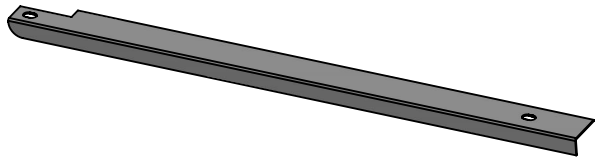
V8 1X



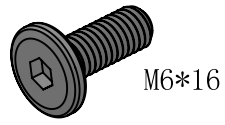
V10 1X



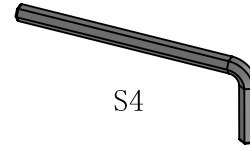
The notch of #V8 & V10 is facing inward.



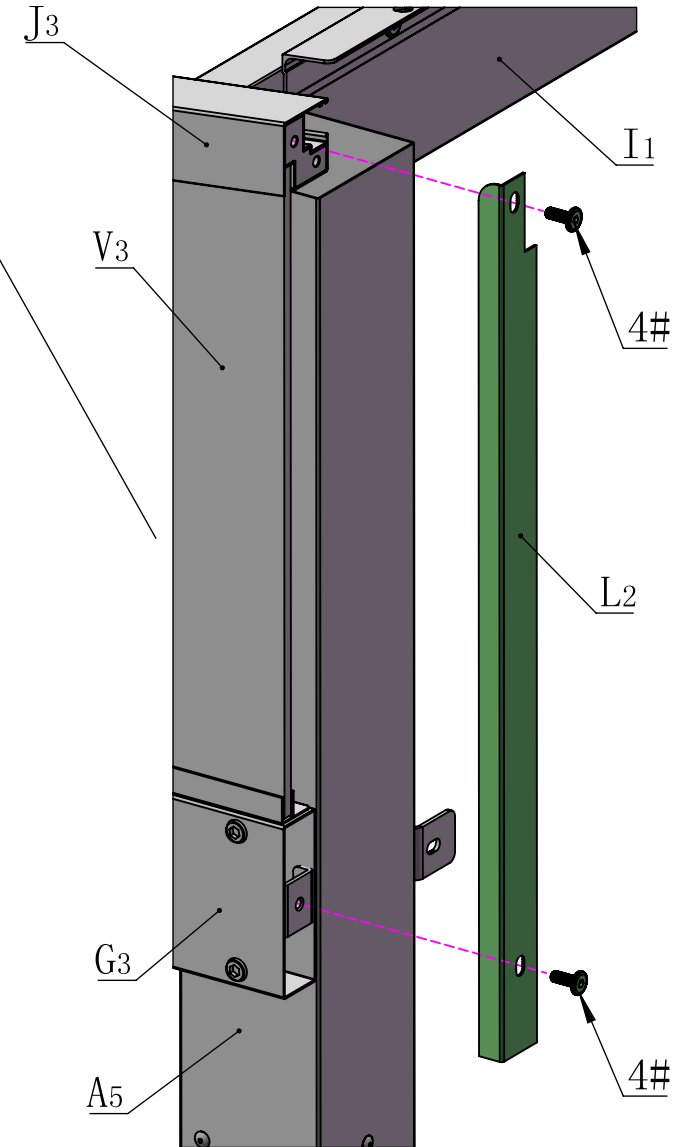
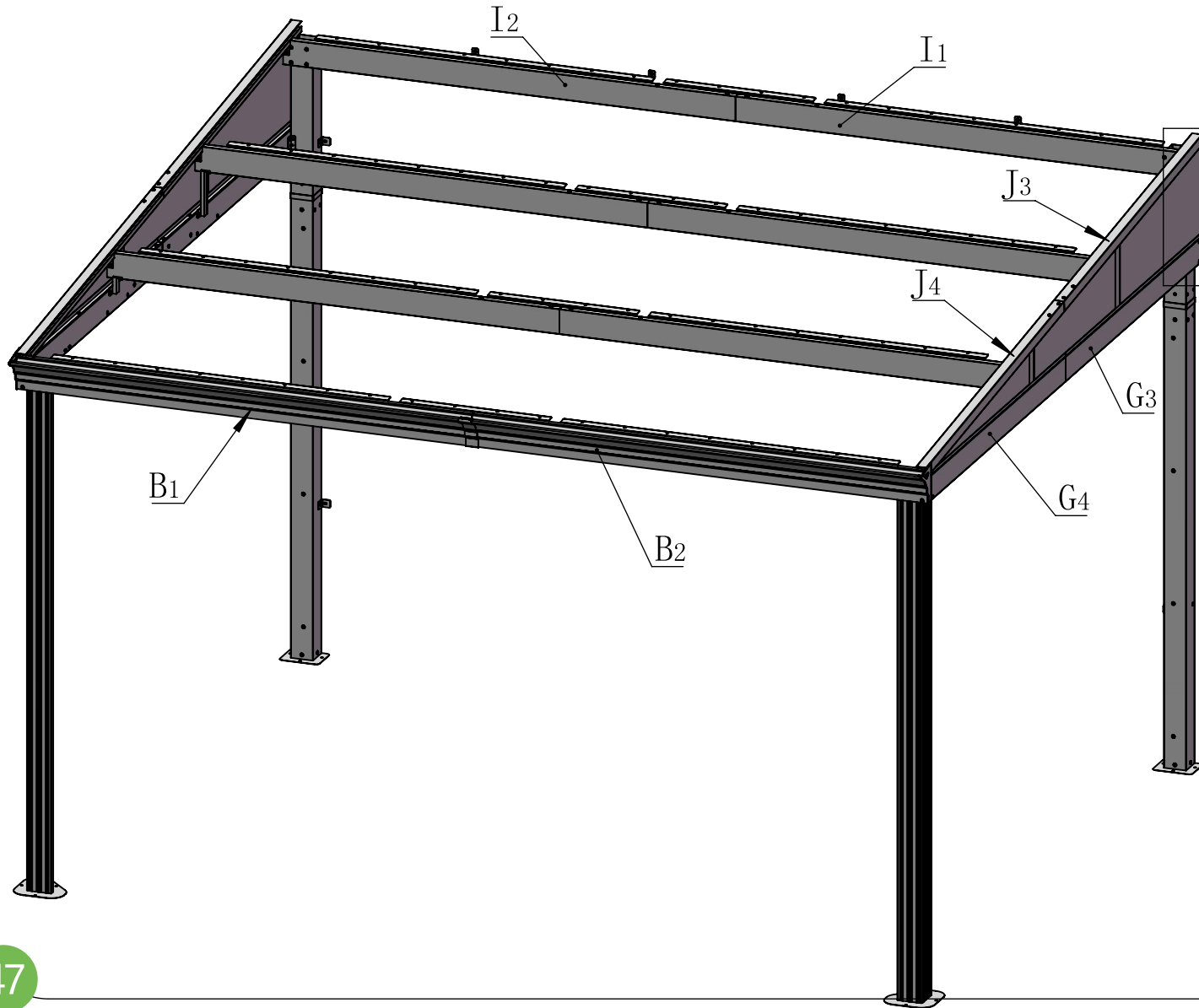
L2 1X

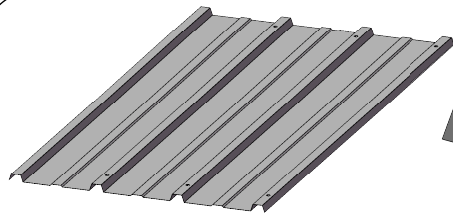


M6*16
4# 2X



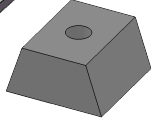
S4
24# 1X



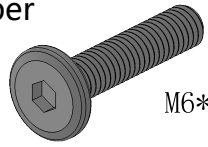


Y1 1X

Black Rubber



X 2X



M6*28

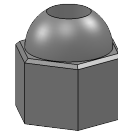
5# 2X

Rubber Gasket

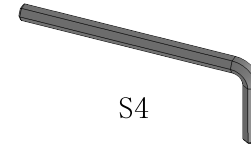


D12/d6. 2*H2

25# 2X

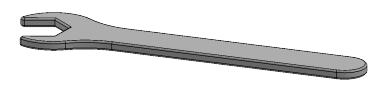


11# 2X



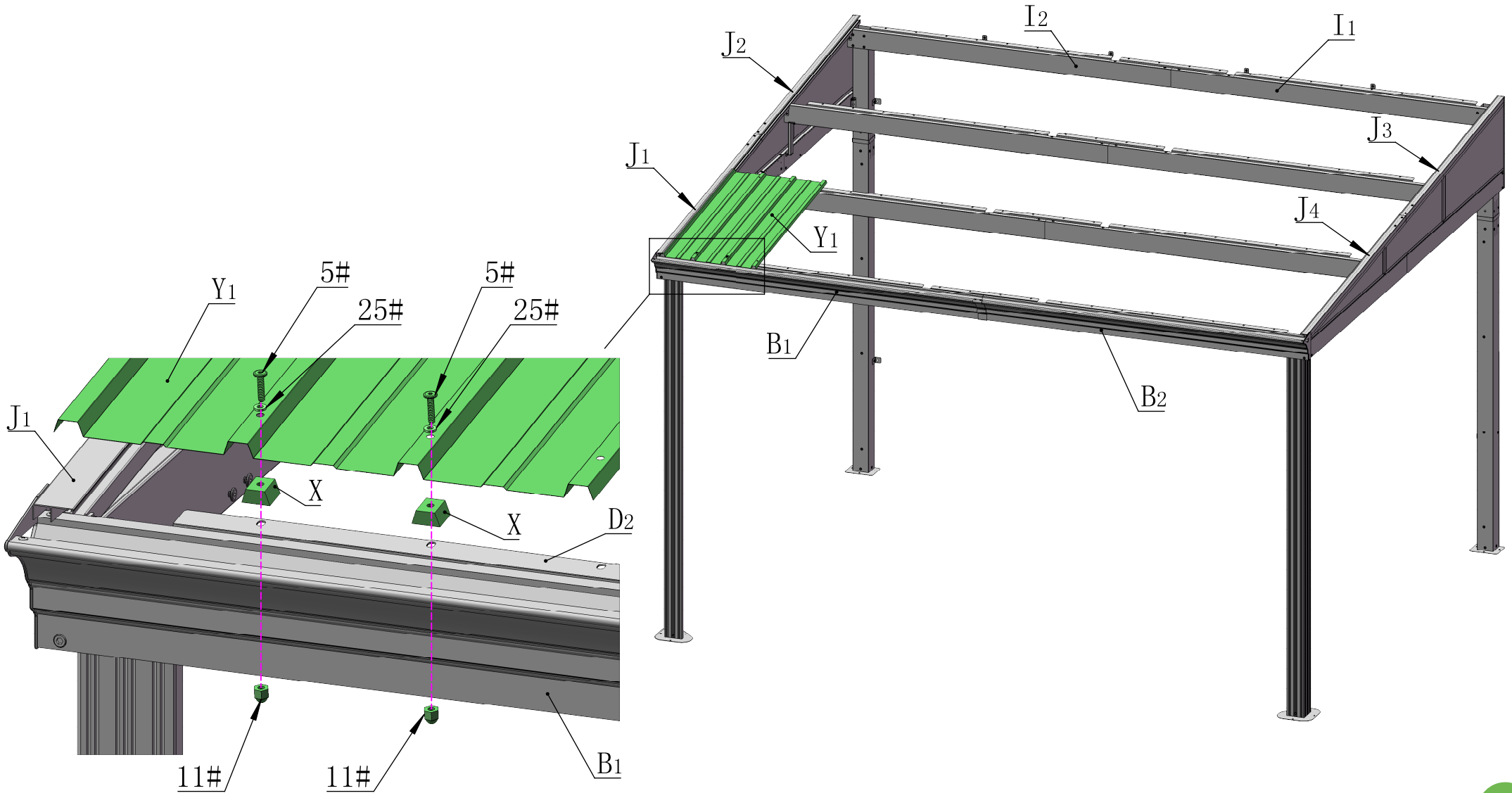
S4

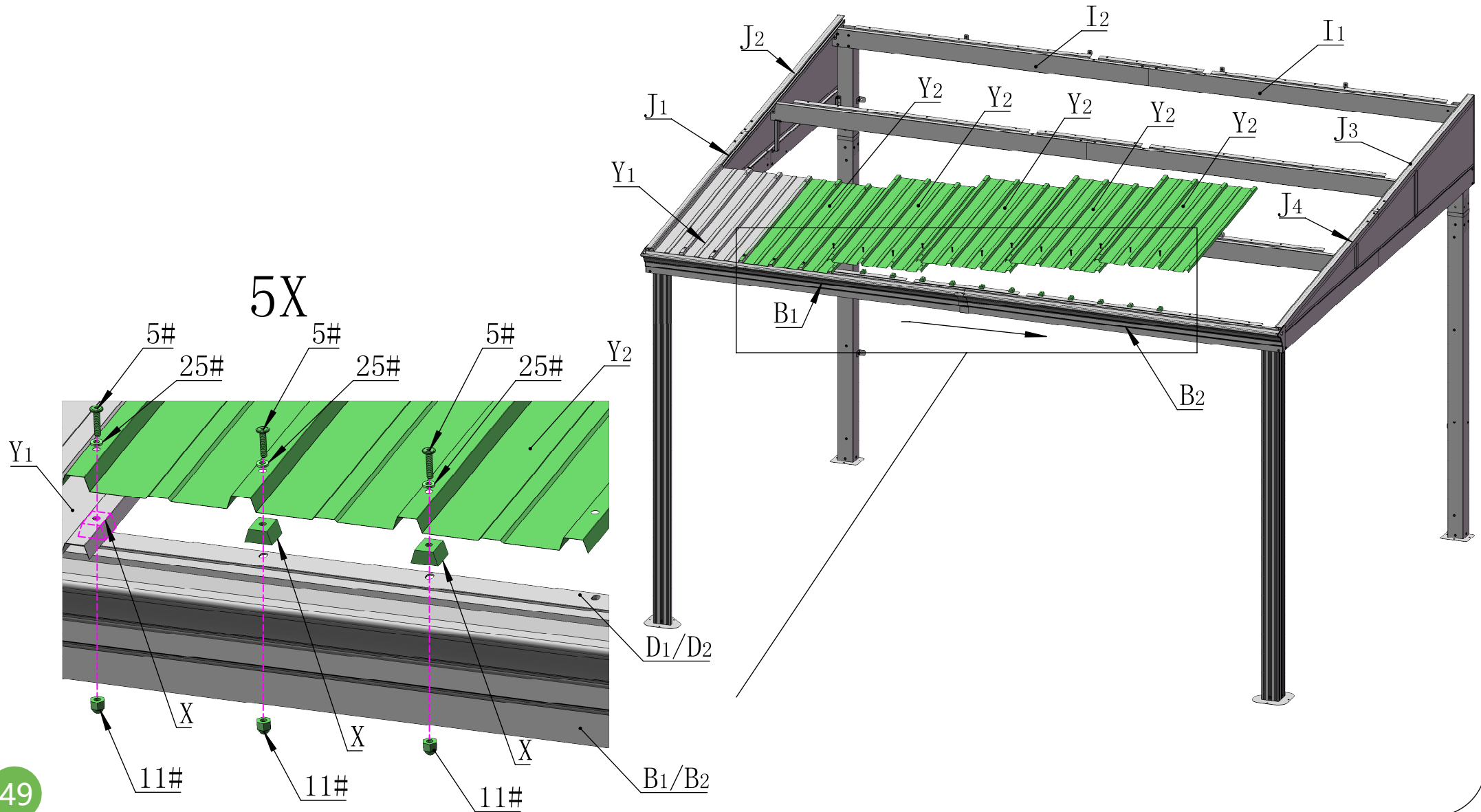
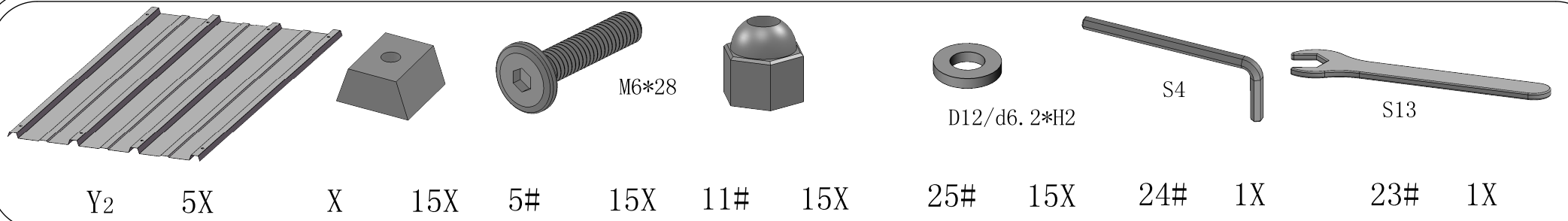
24# 1X

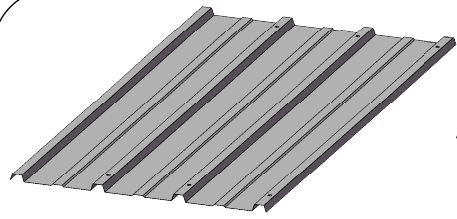


S13

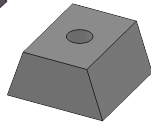
23# 1X



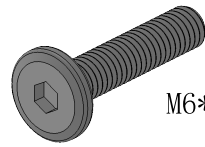




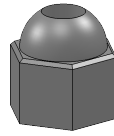
Y1



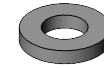
X



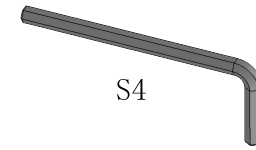
M6*28



11#



D12/d6. 2*H2



S4



S13

1X

3X

5#

3X

11#

3X

25#

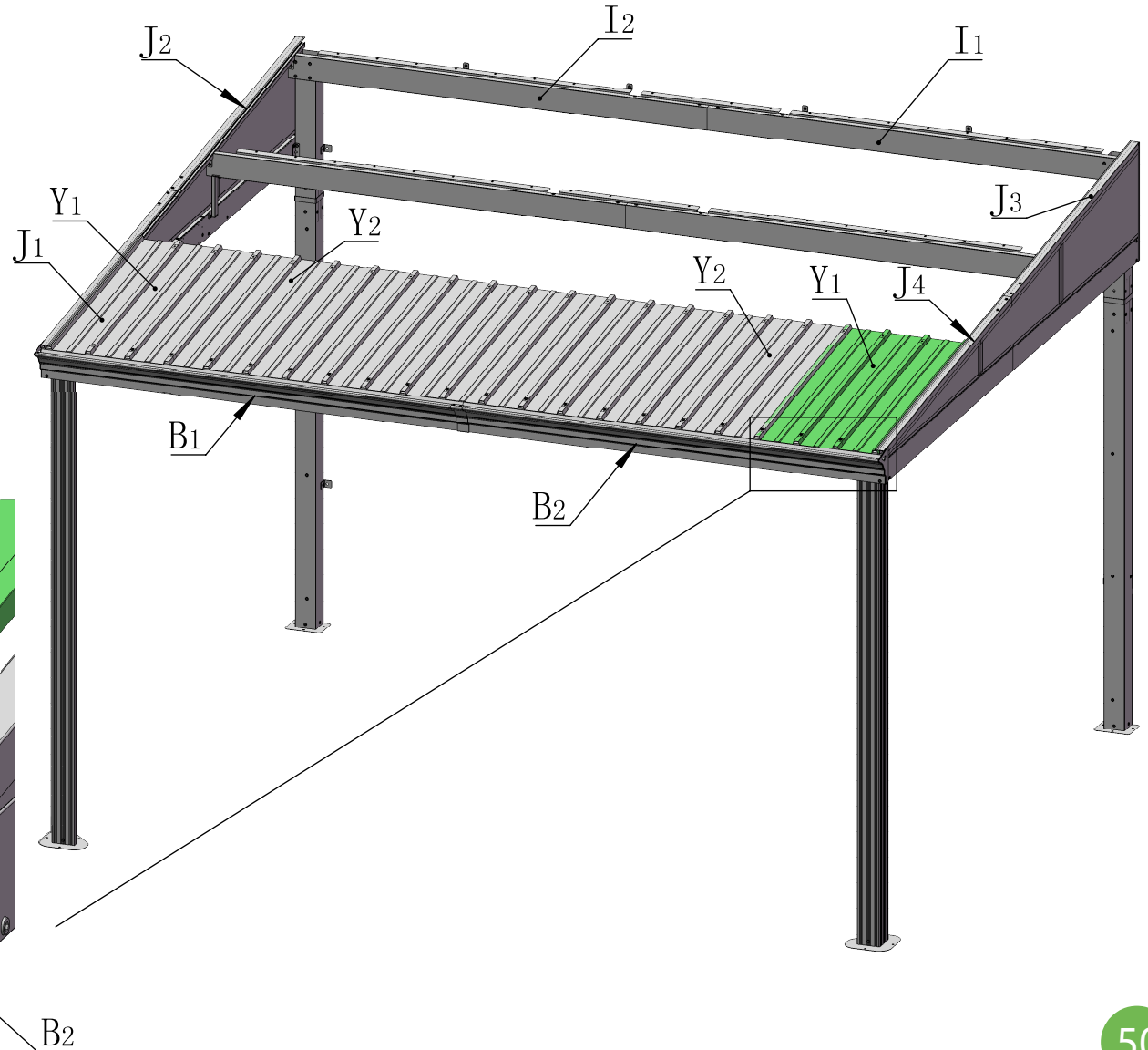
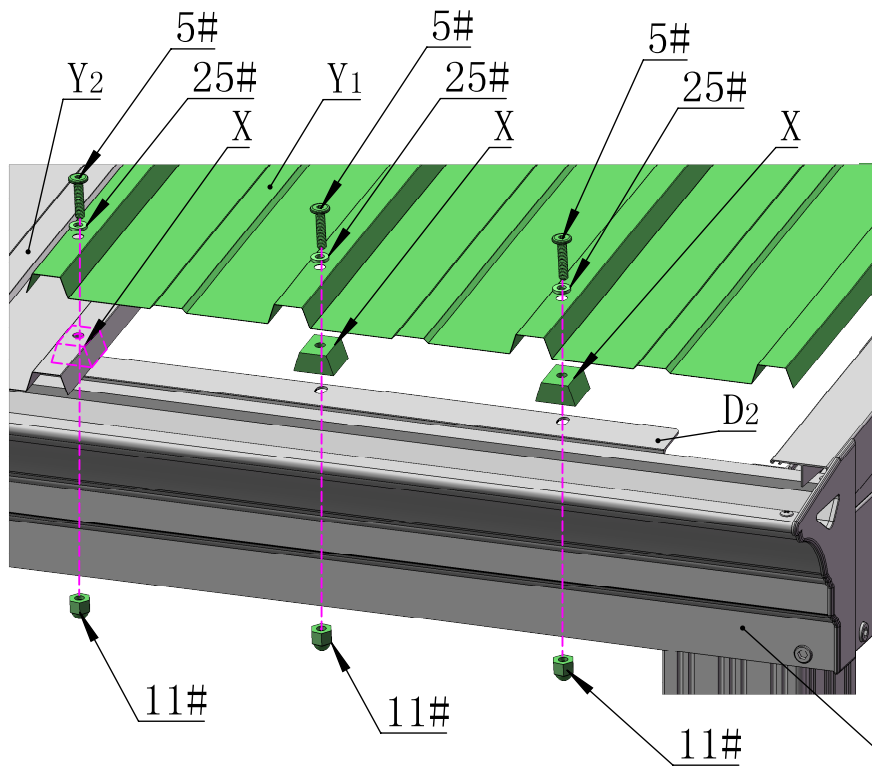
3X

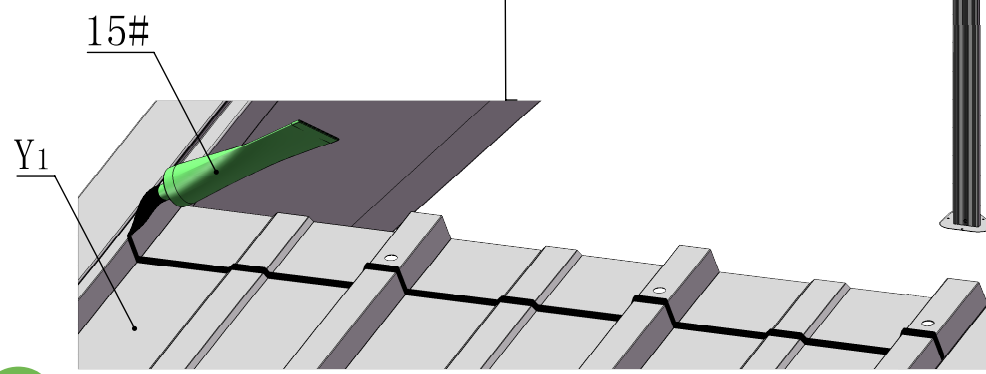
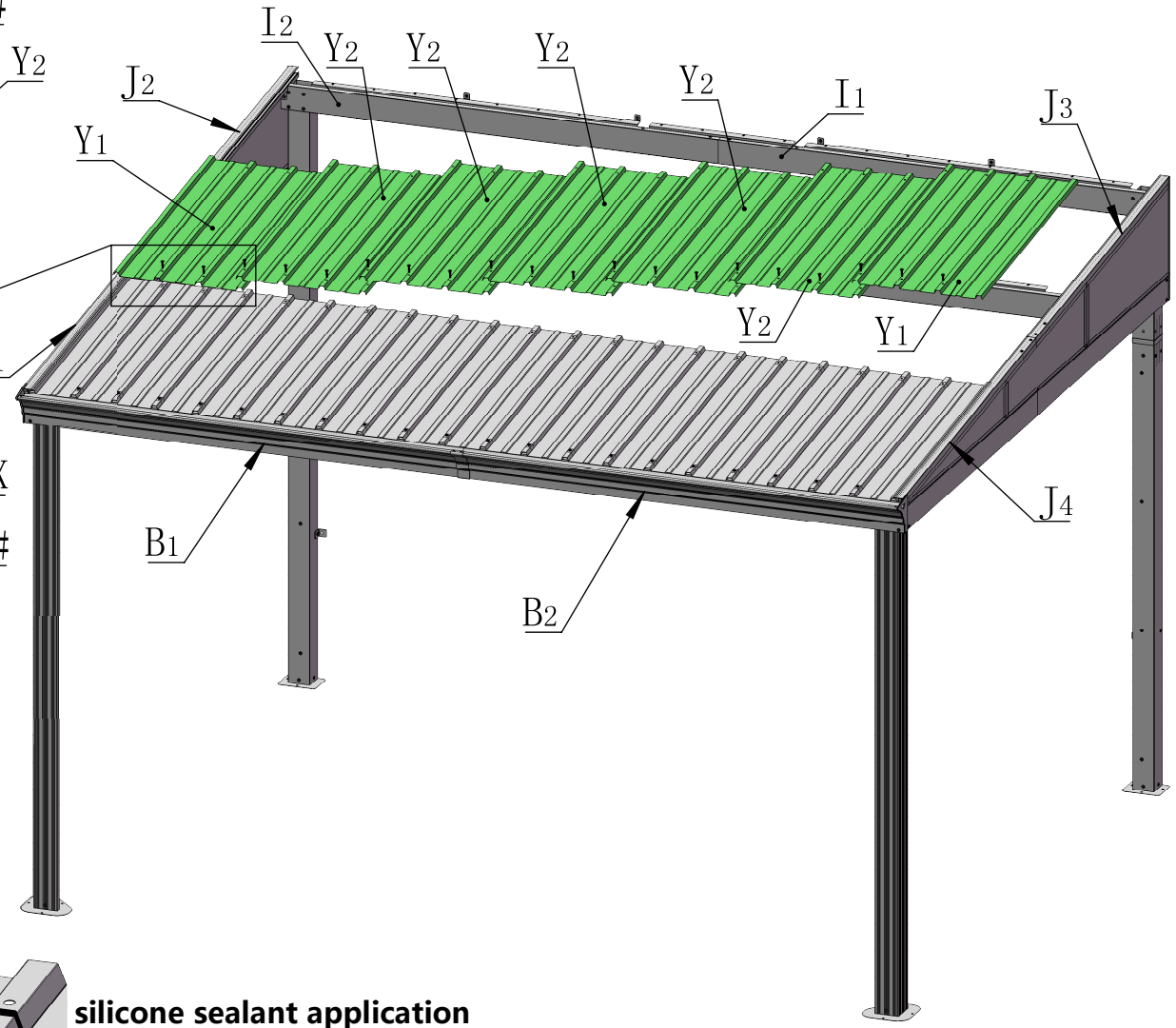
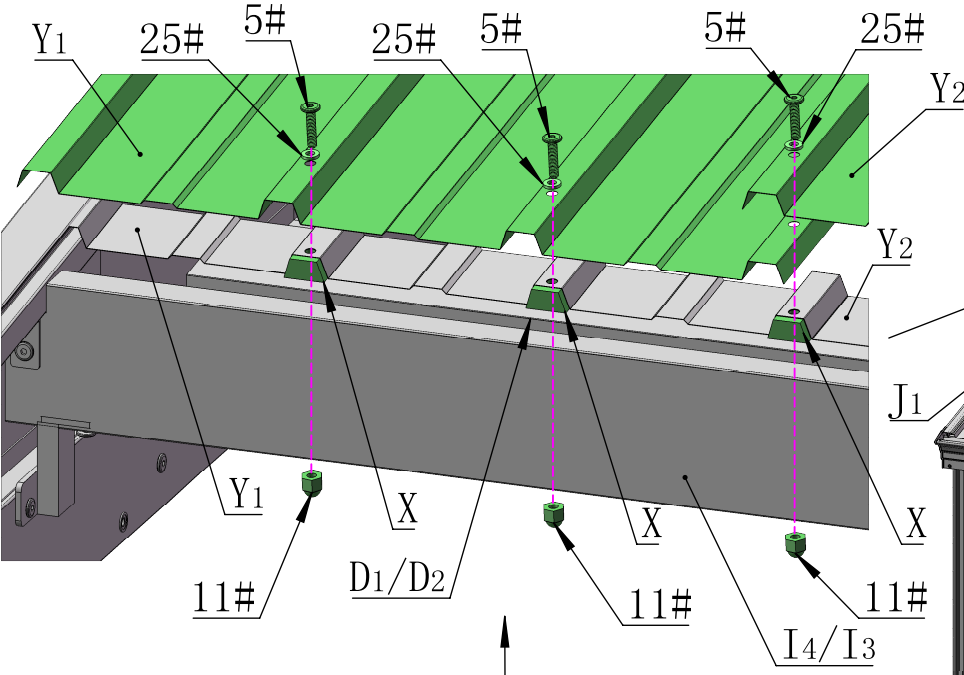
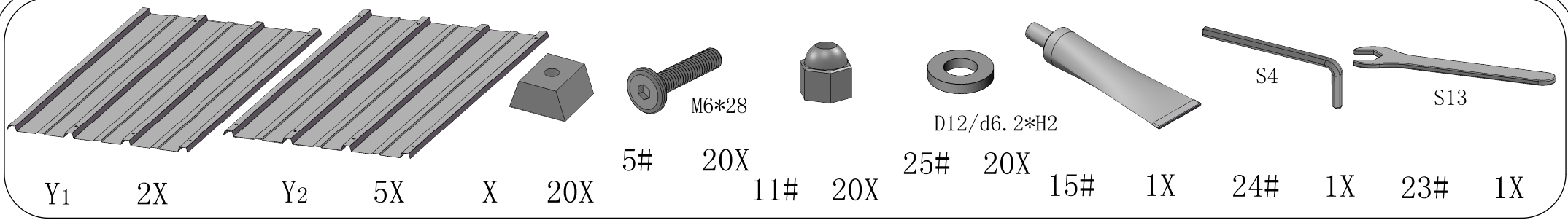
24#

1X

23#

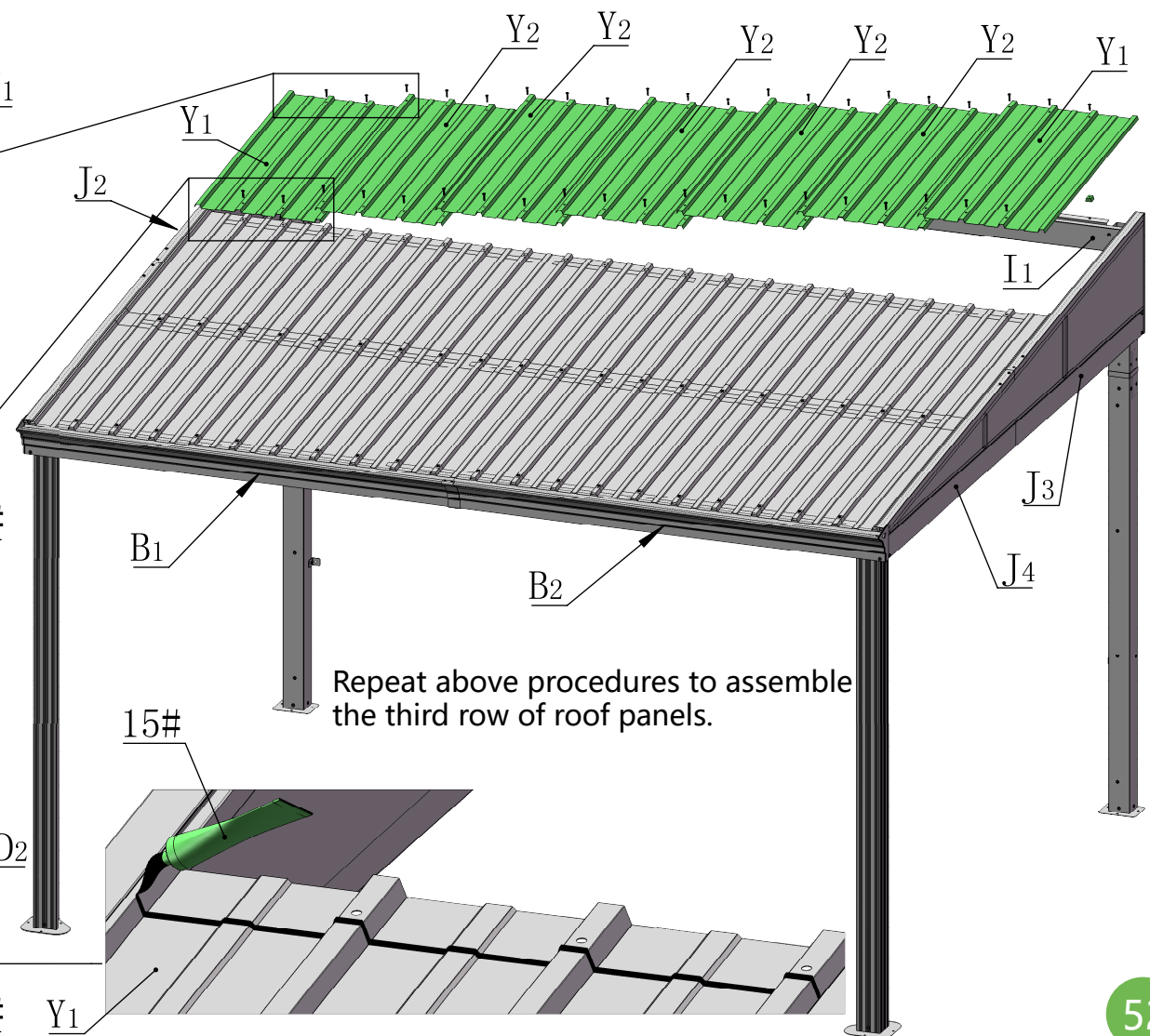
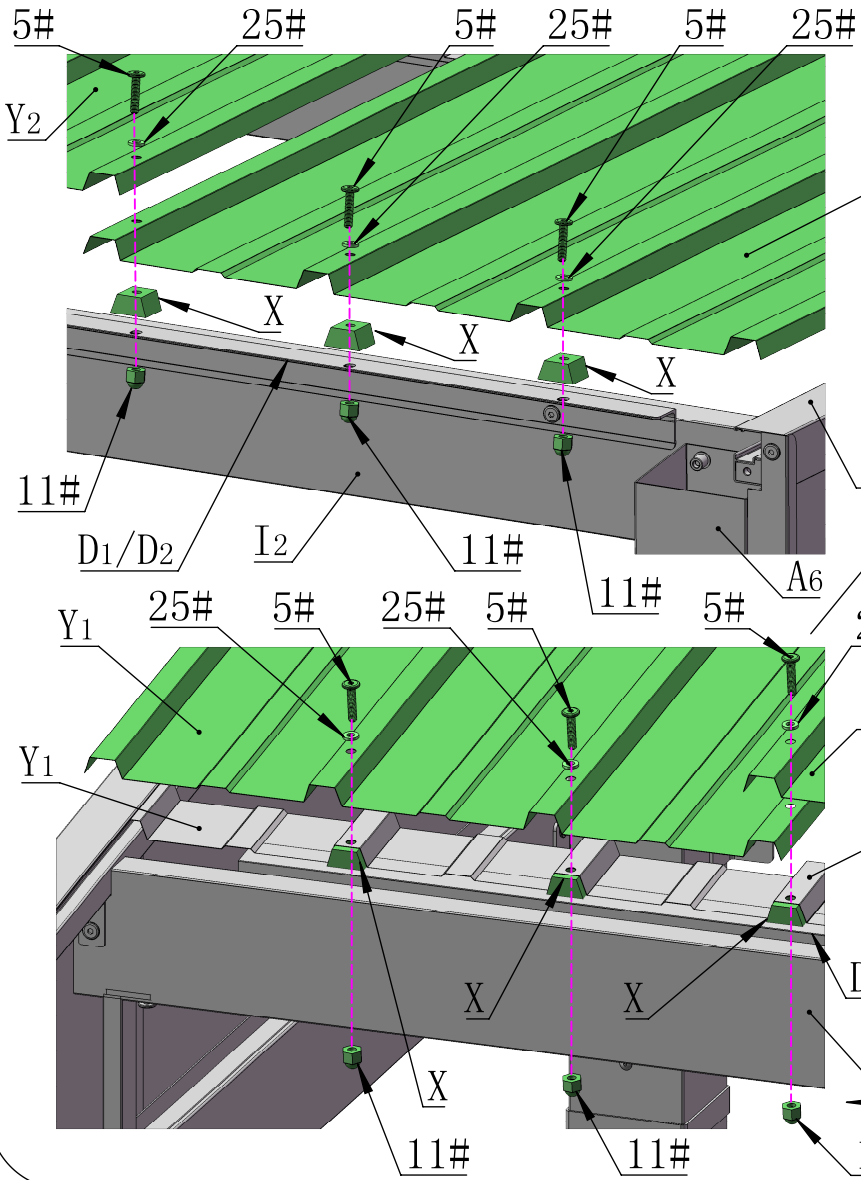
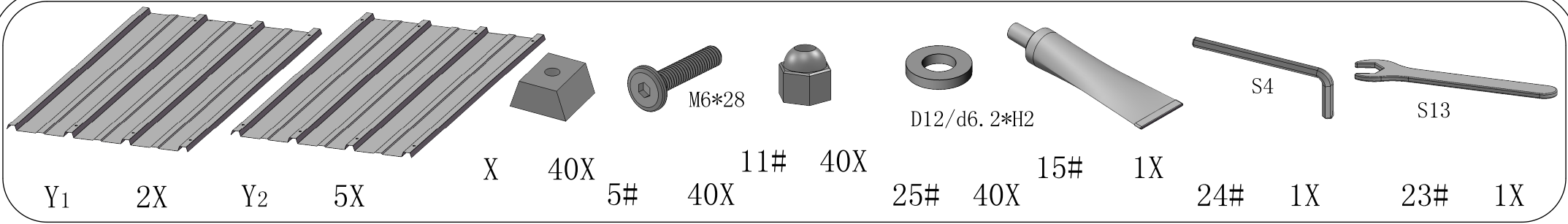
1X



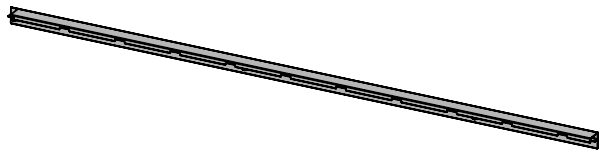


silicone sealant application

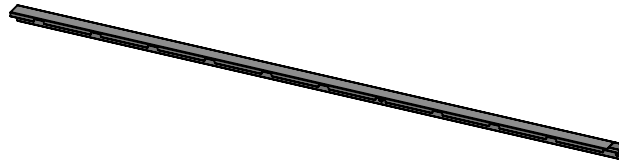
- (1) Apply 3 mm wide silicone sealant to the first row of roof panels as shown.
- (2) Install the second row of roof panels and fix the screws.



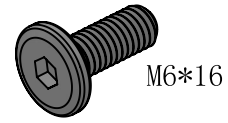
Repeat above procedures to assemble the third row of roof panels.



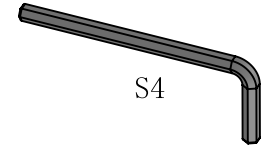
M1 1X



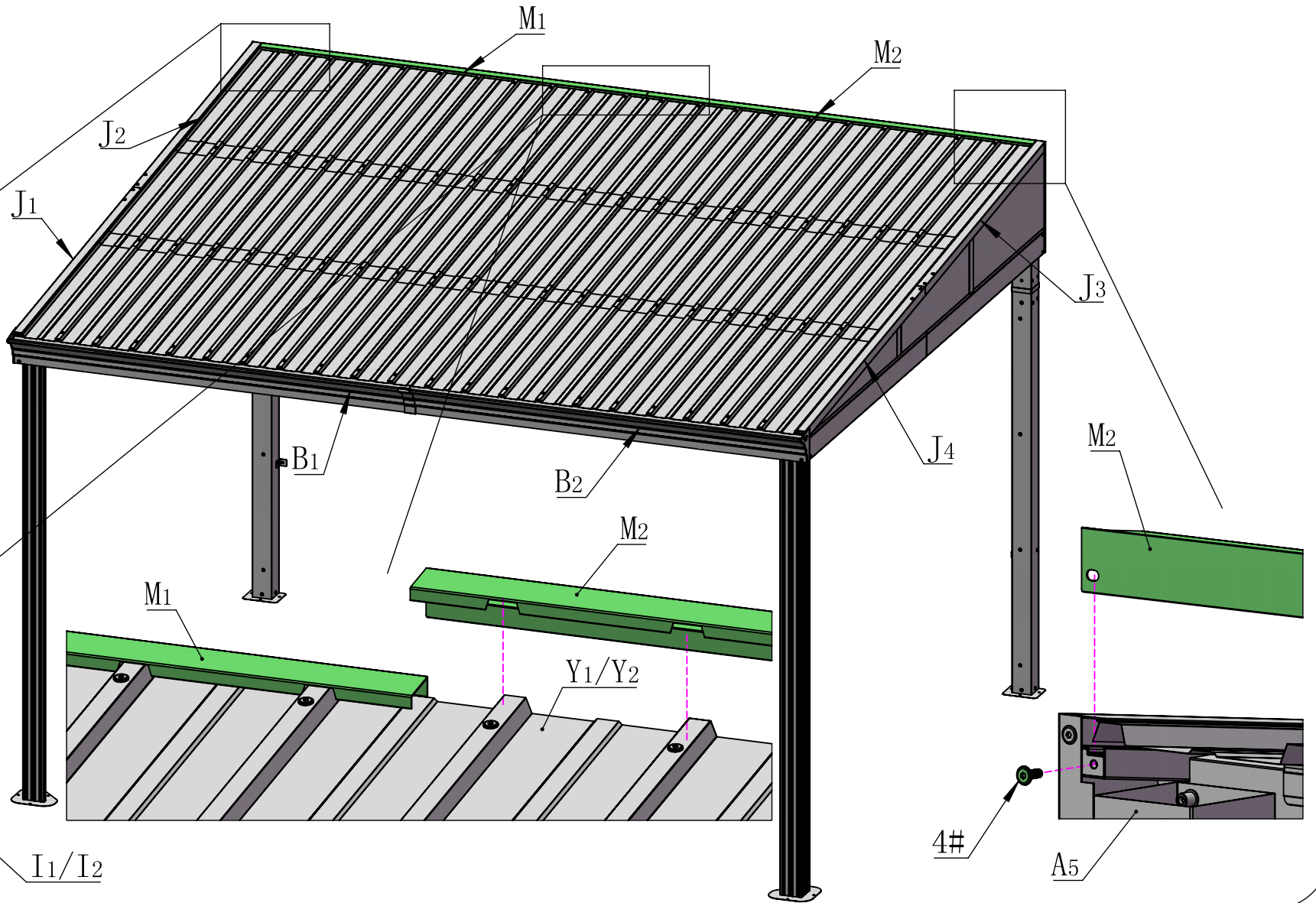
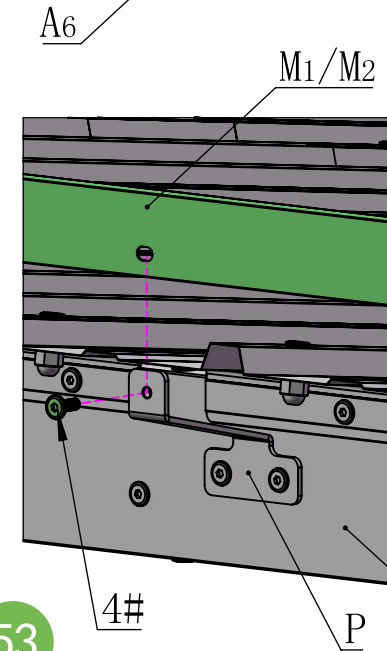
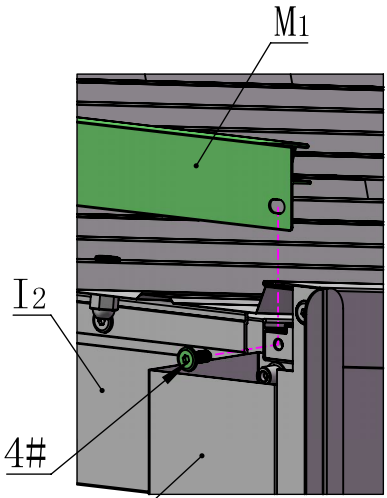
M2 1X

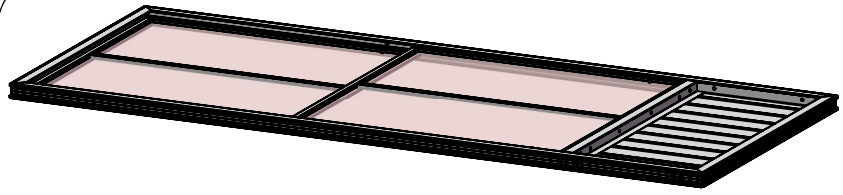


4# 6X

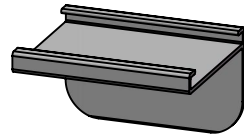


24# 1X

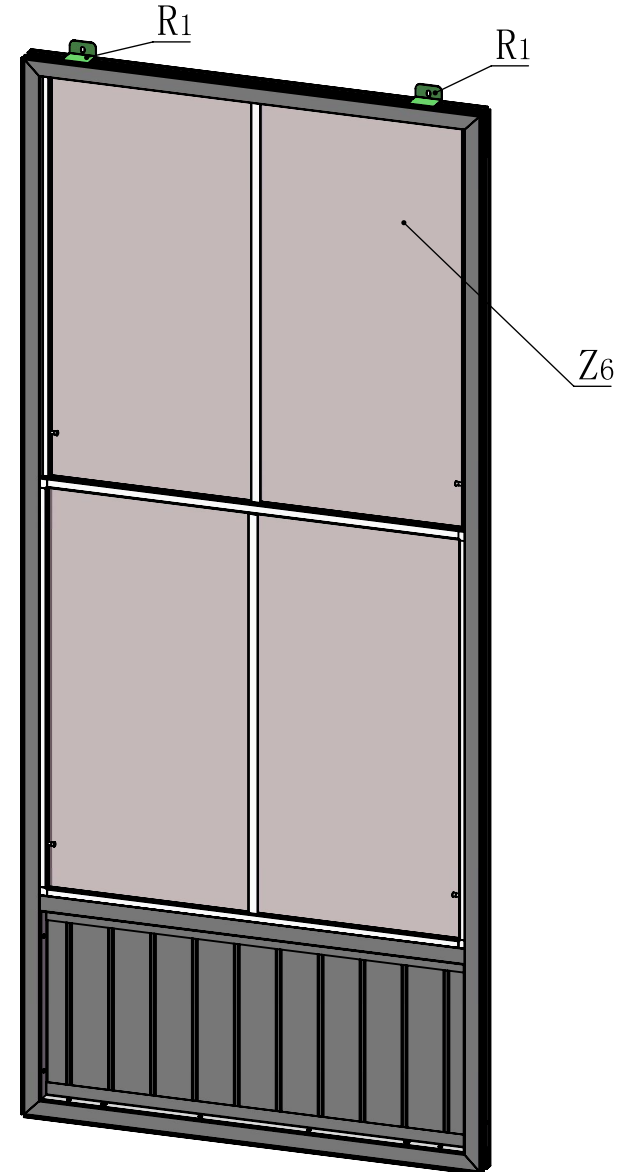
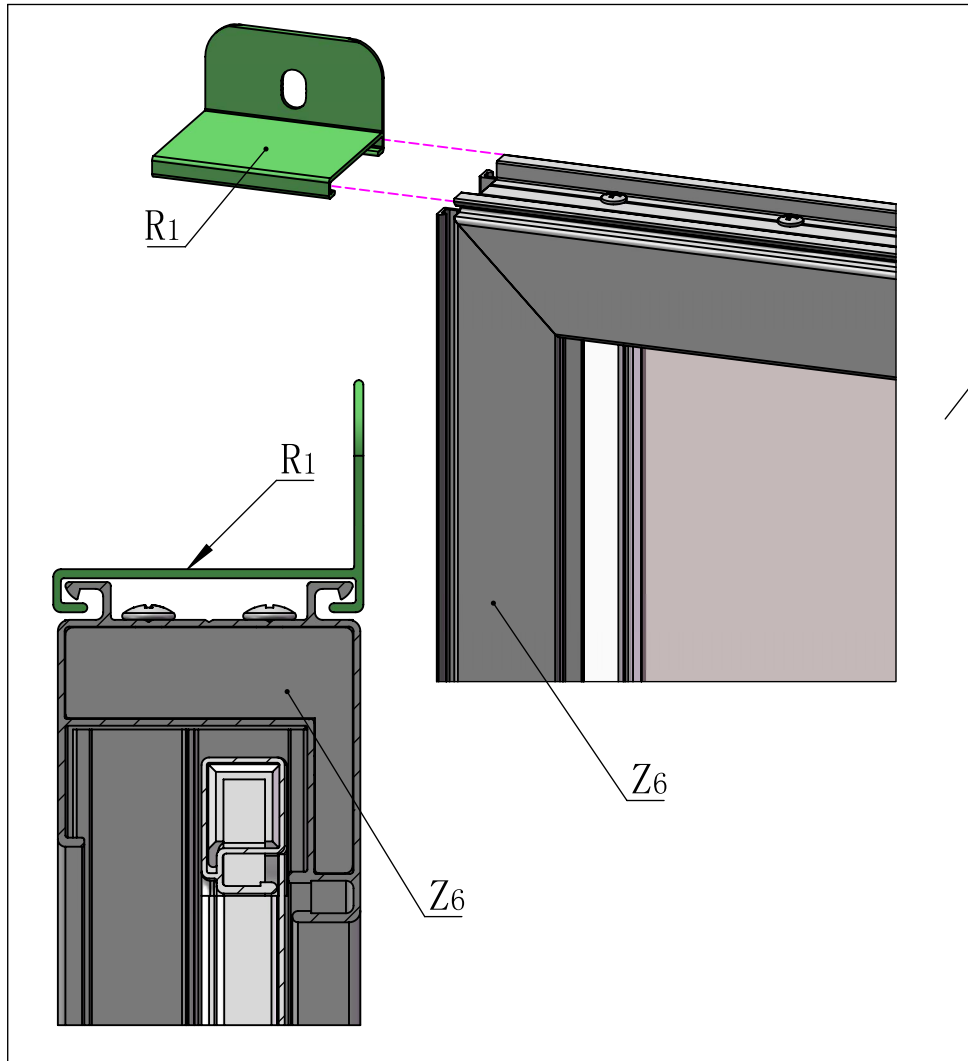




Z6 4X

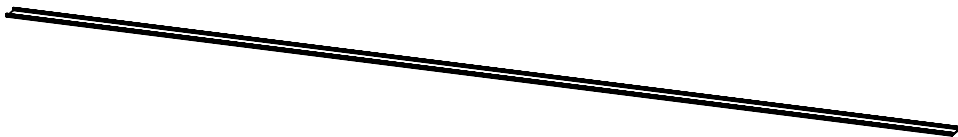


R1 8X

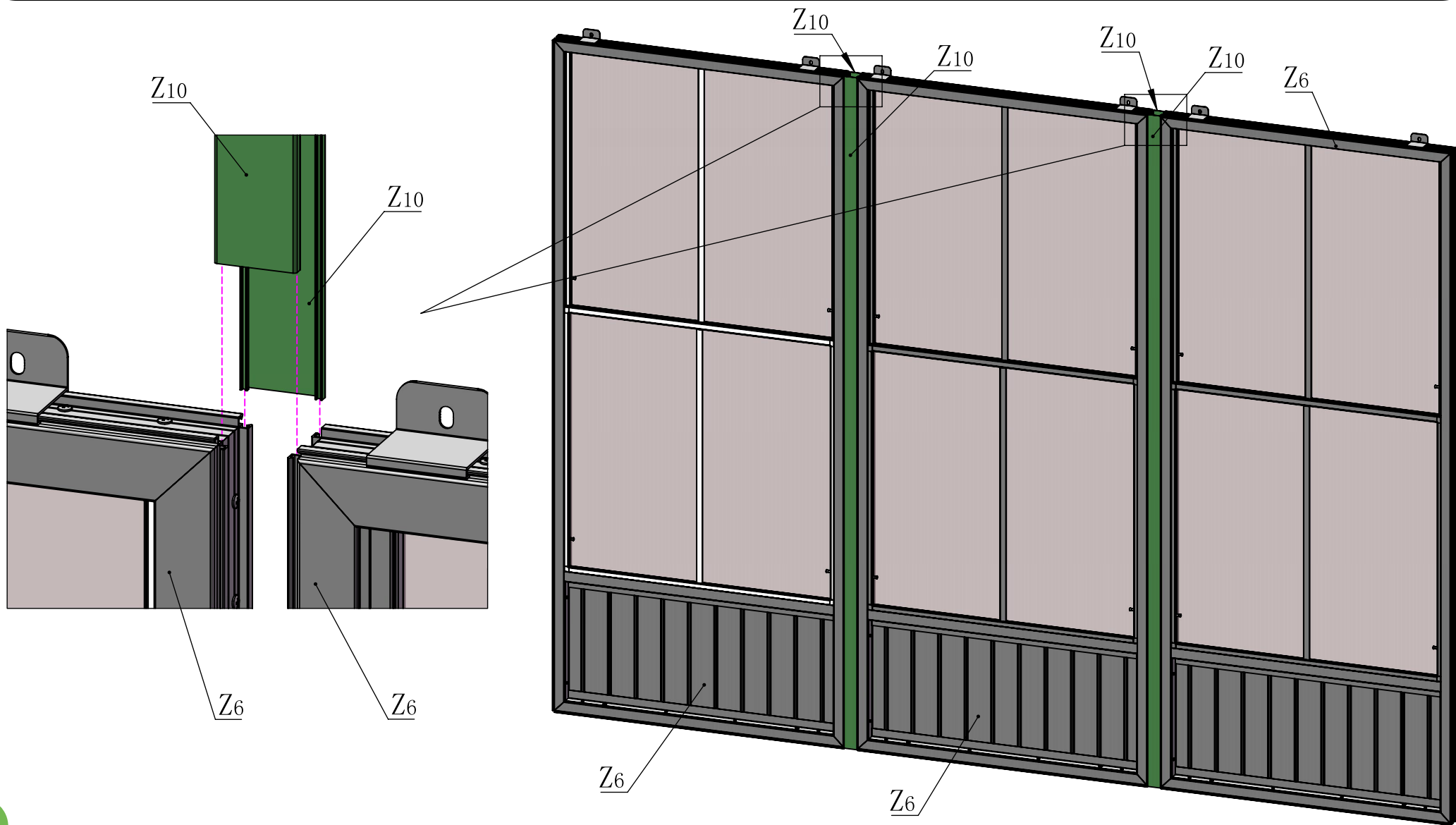


4X

▲ ATTENTION: The orientation of Screen Panel #Z6.

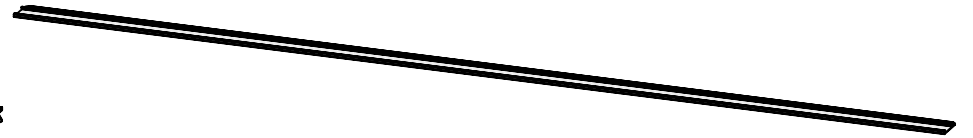


Z10 4X

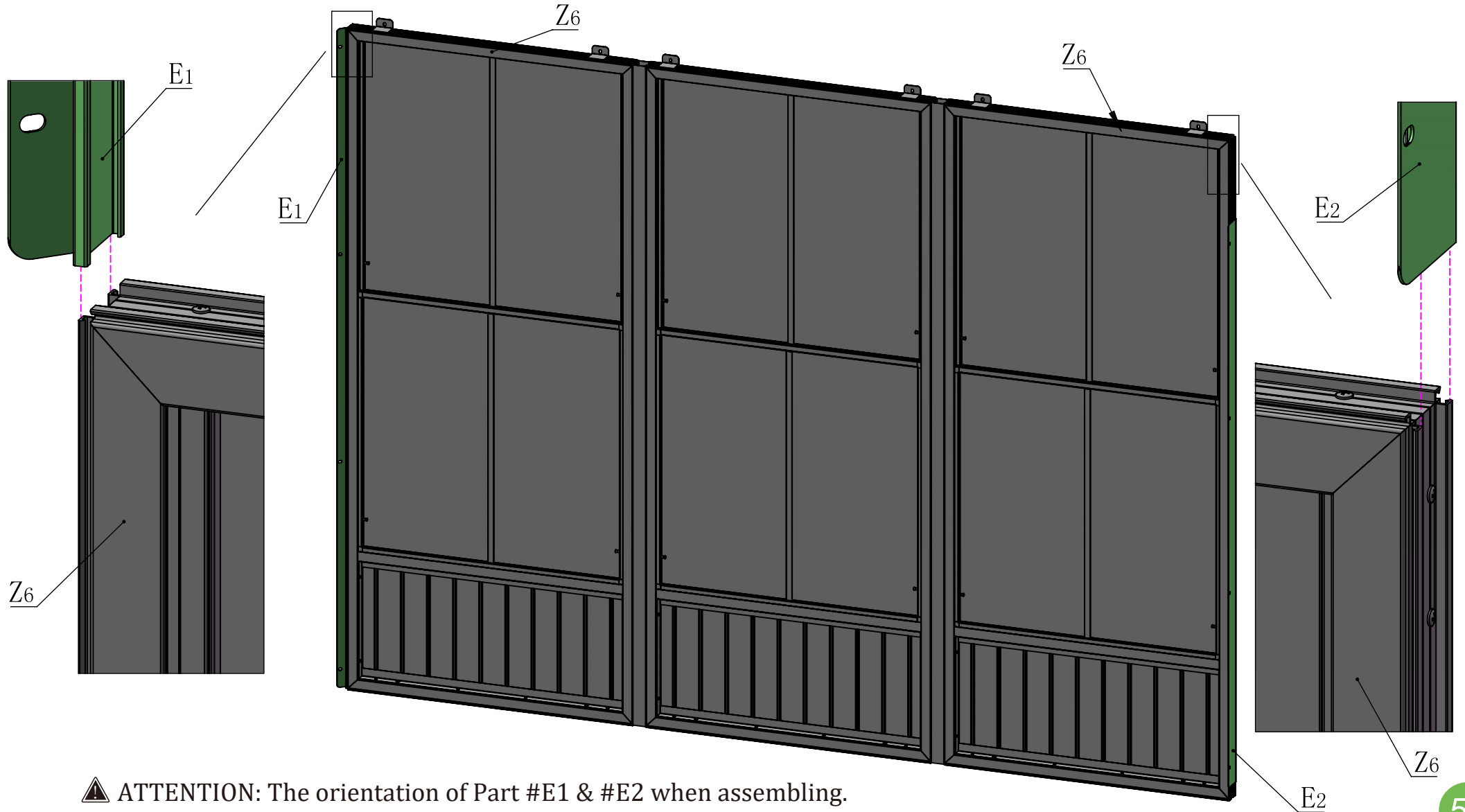




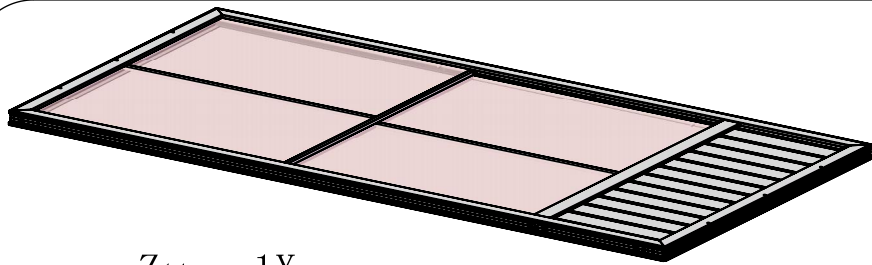
E1 1X



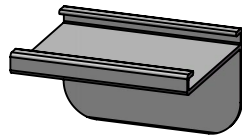
E2 1X



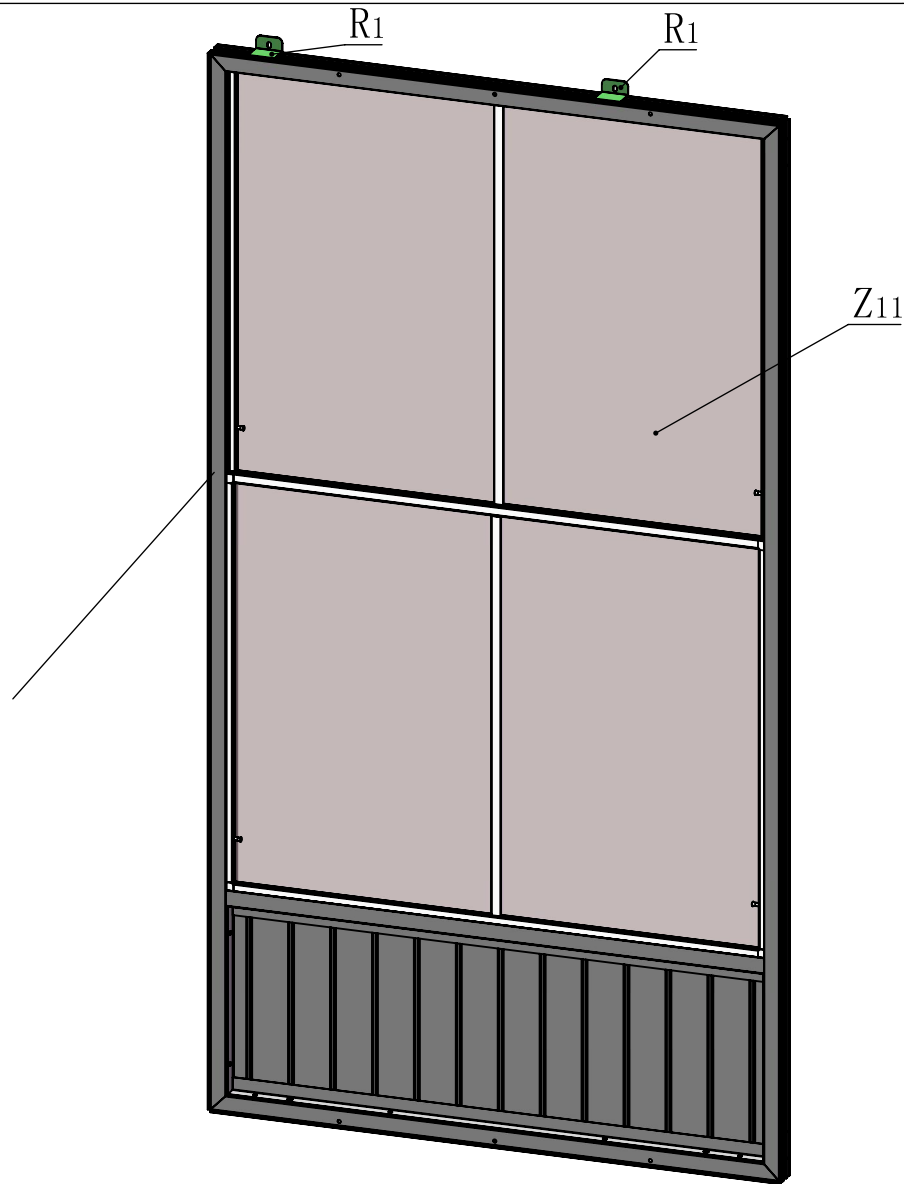
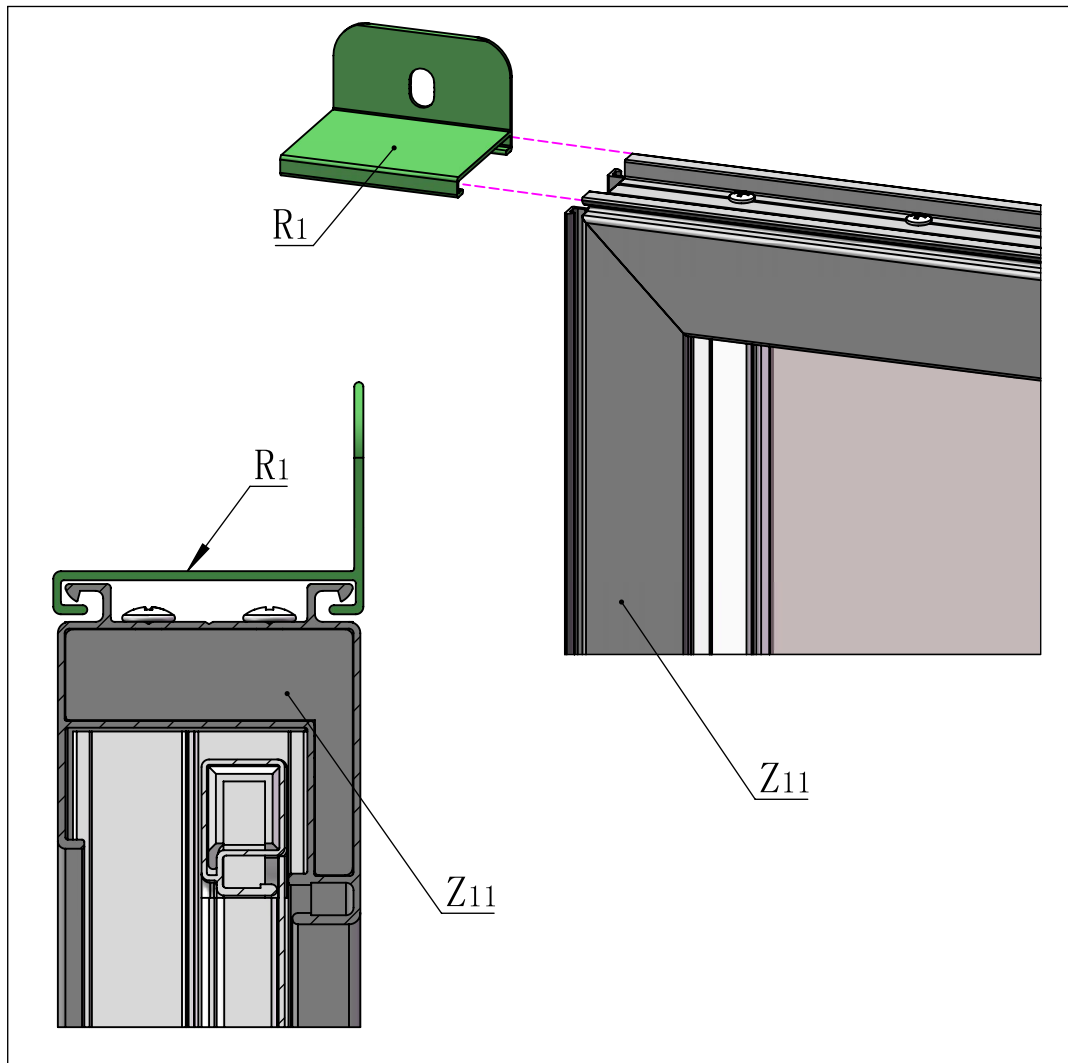
▲ ATTENTION: The orientation of Part #E1 & #E2 when assembling.

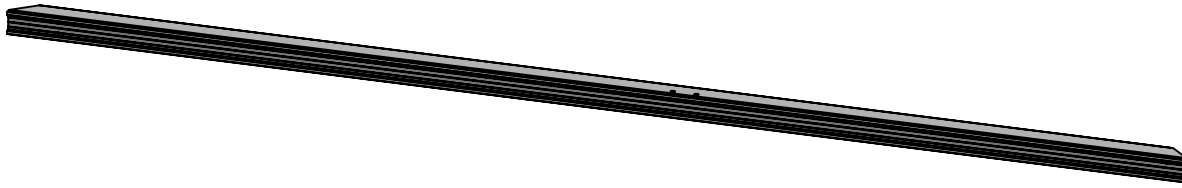


Z11 1X

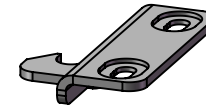


R1 2X





Z15 1X

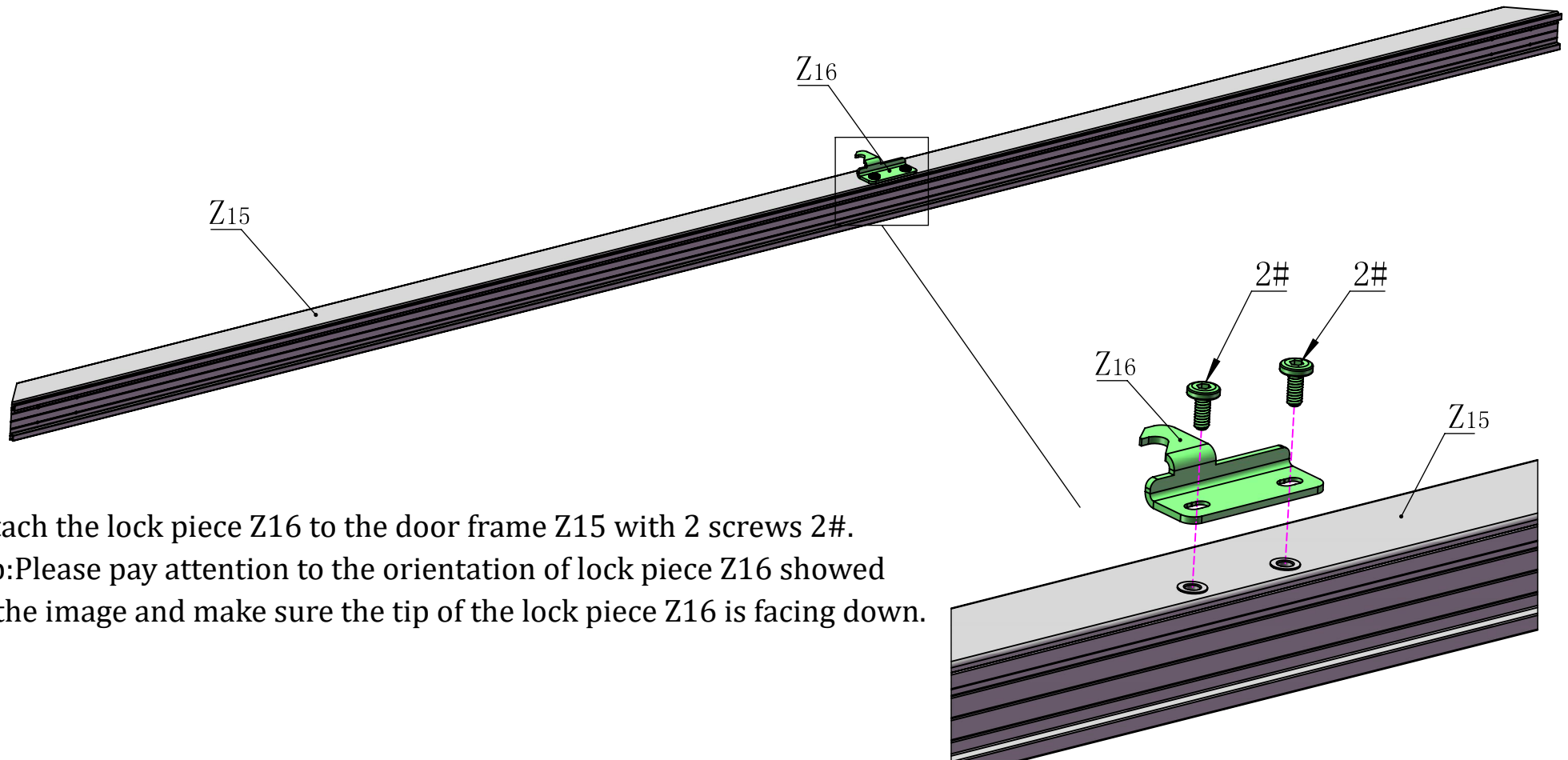


Z16 1X



M5*12

2# 2X



Attach the lock piece Z16 to the door frame Z15 with 2 screws 2#.
Tip: Please pay attention to the orientation of lock piece Z16 showed in the image and make sure the tip of the lock piece Z16 is facing down.



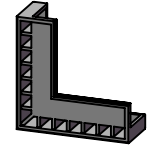
Z3 1X



Z13 1X



Z14 1X

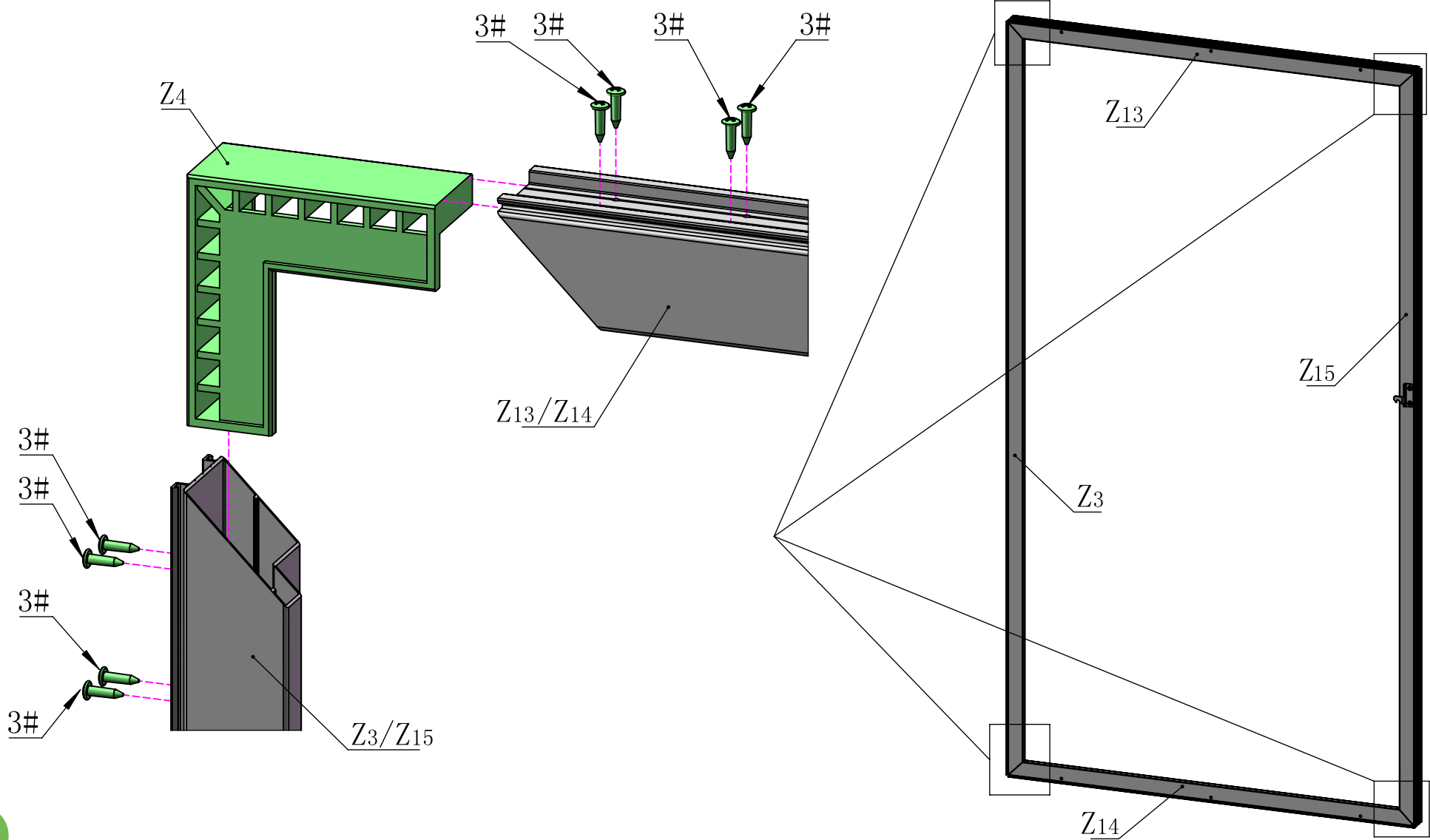


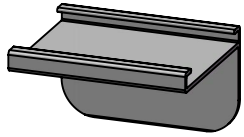
Z4 4X



ST3.5*13

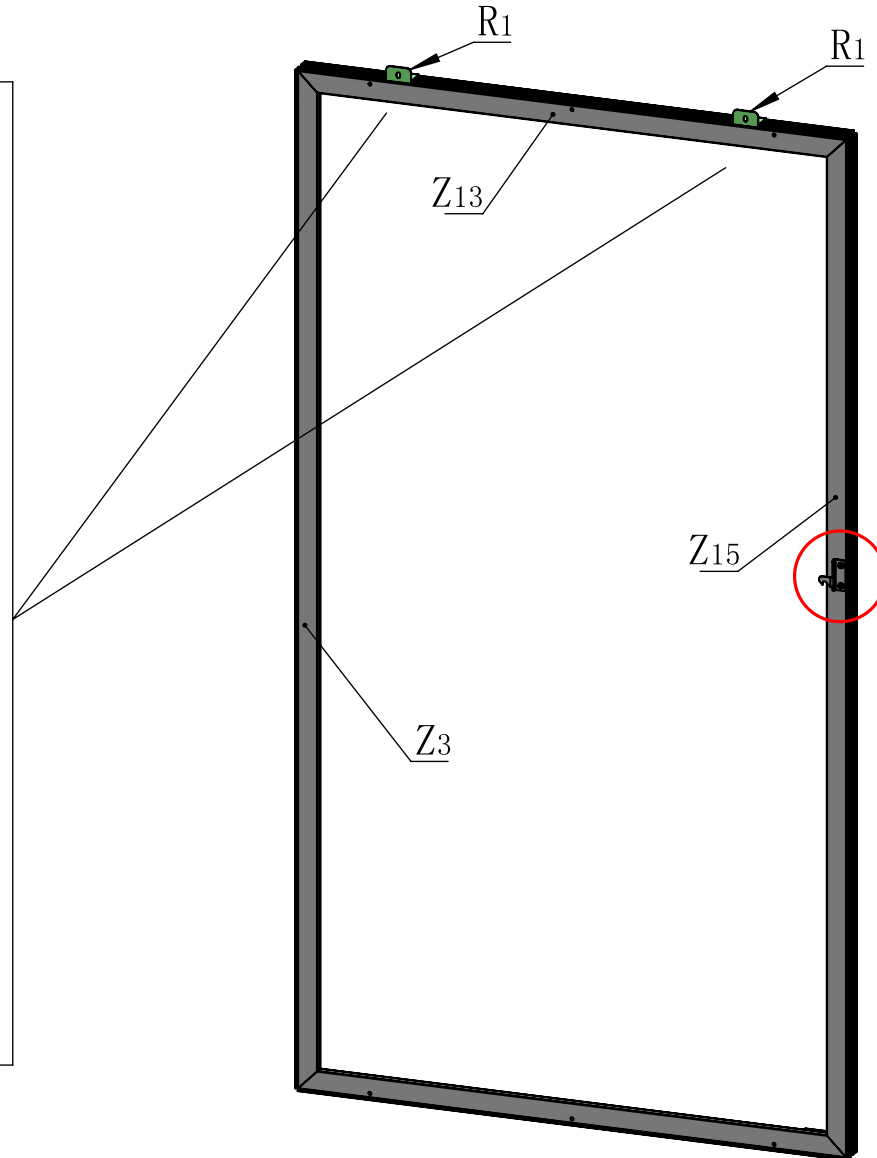
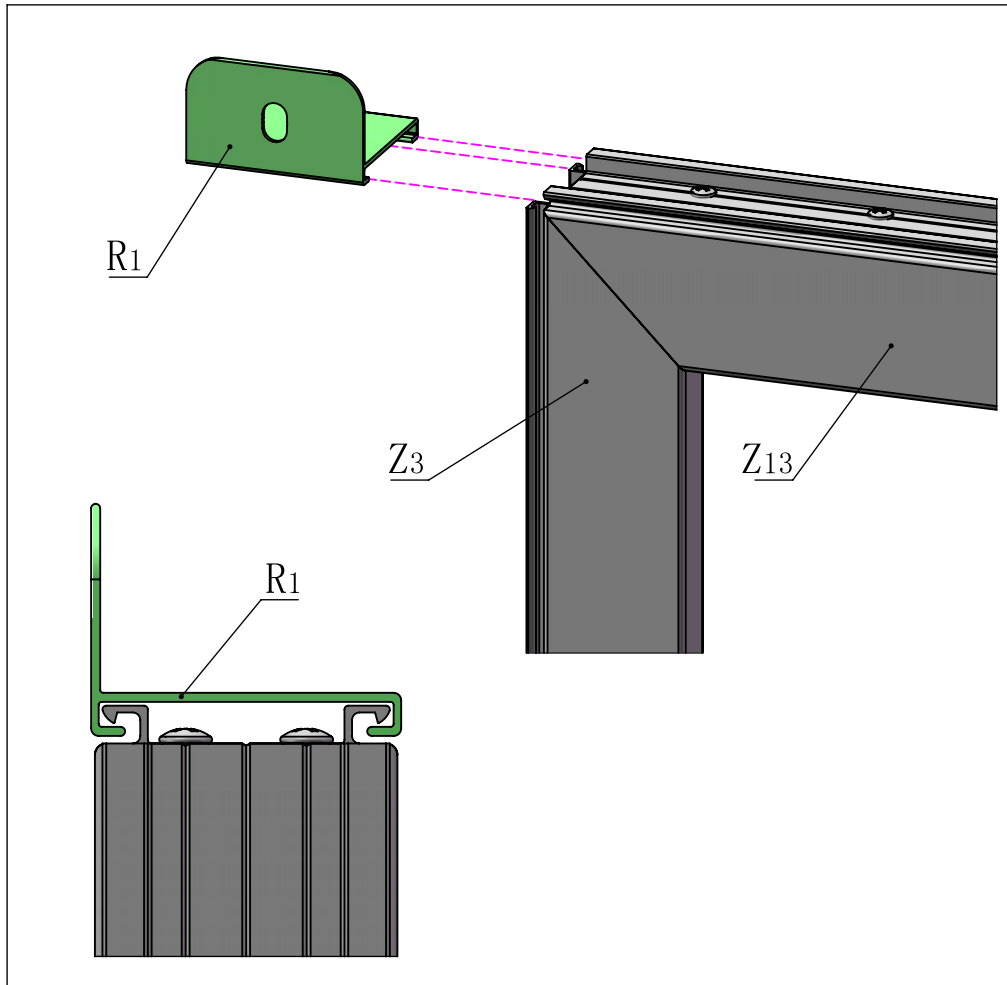
3# 32X

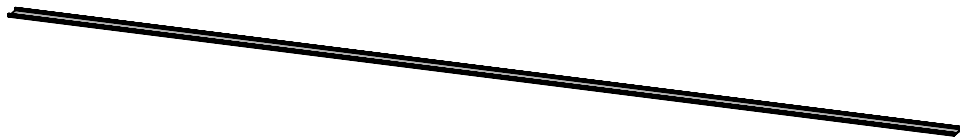




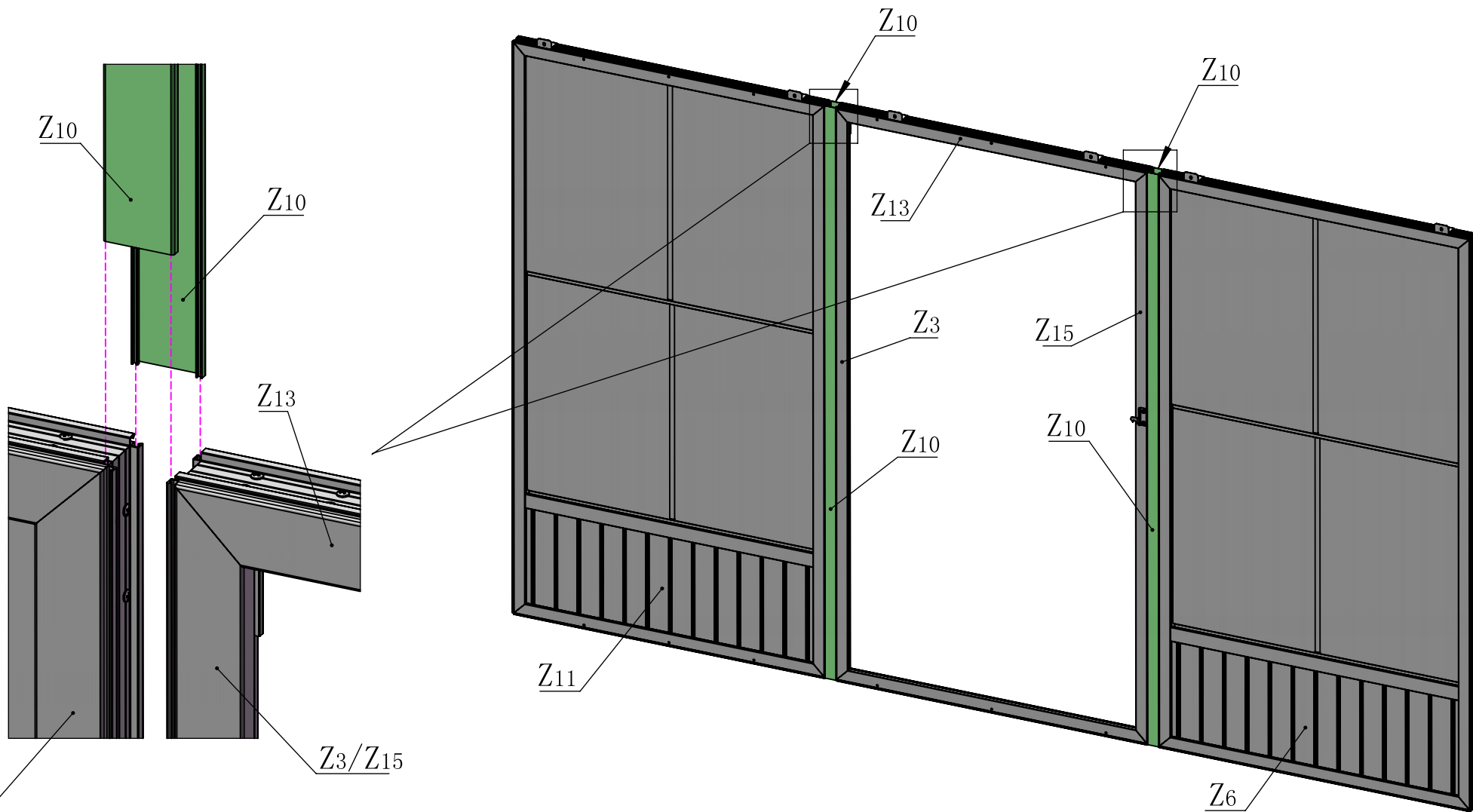
R1 2X

Pay attention to the orientation of R1





Z10 4X





S3 2X



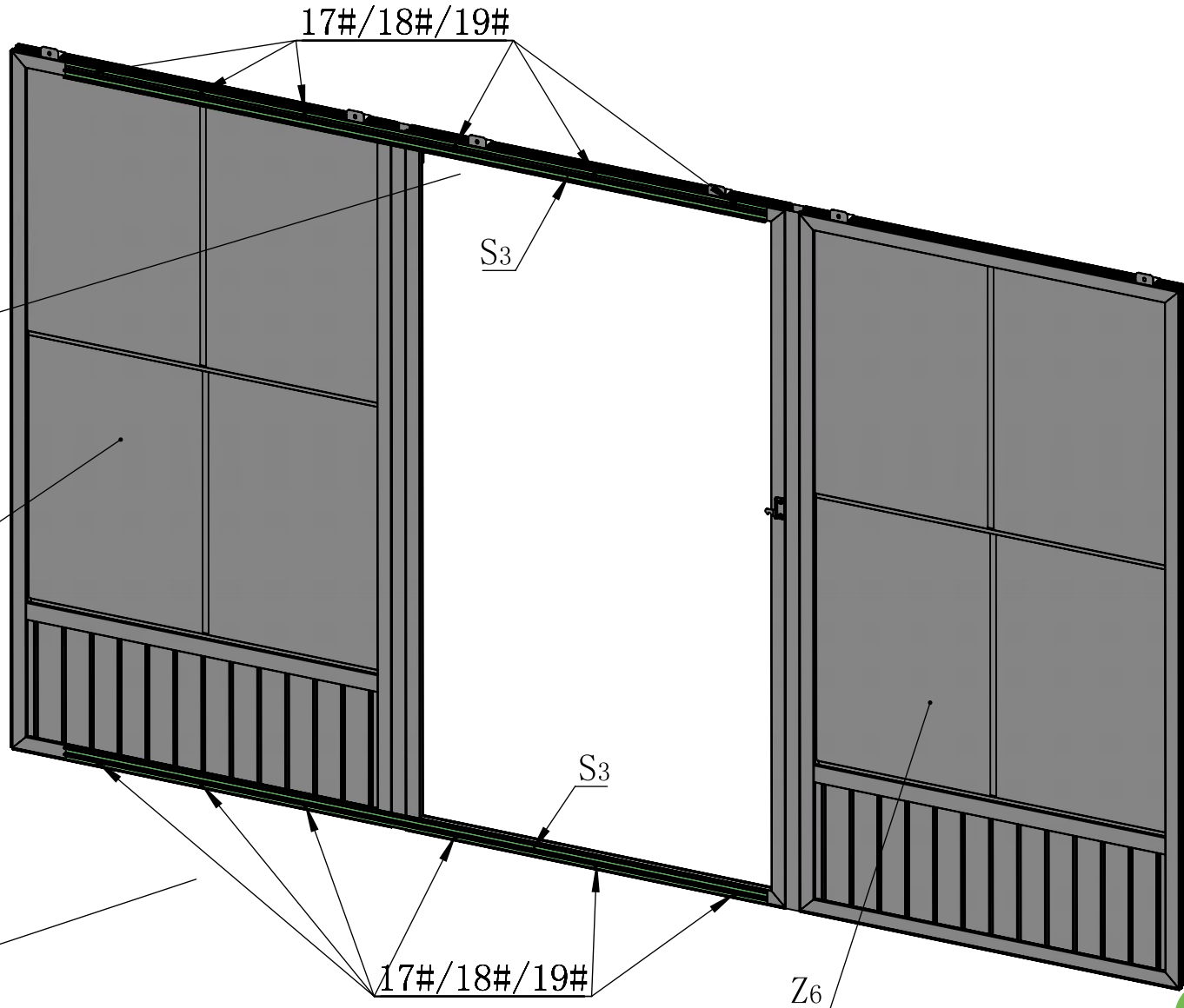
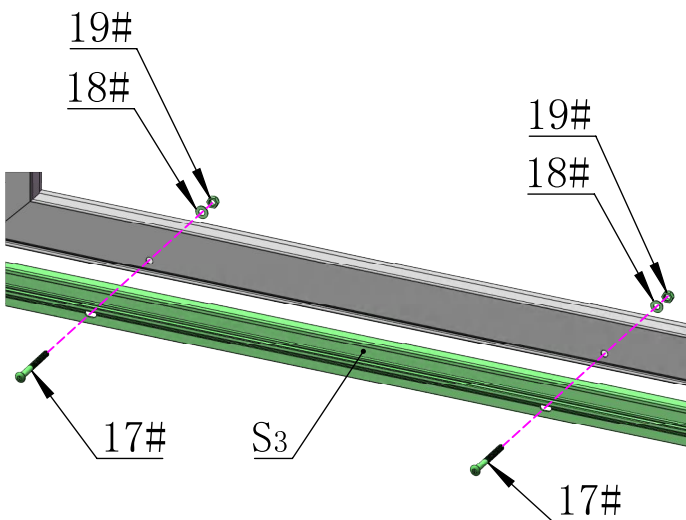
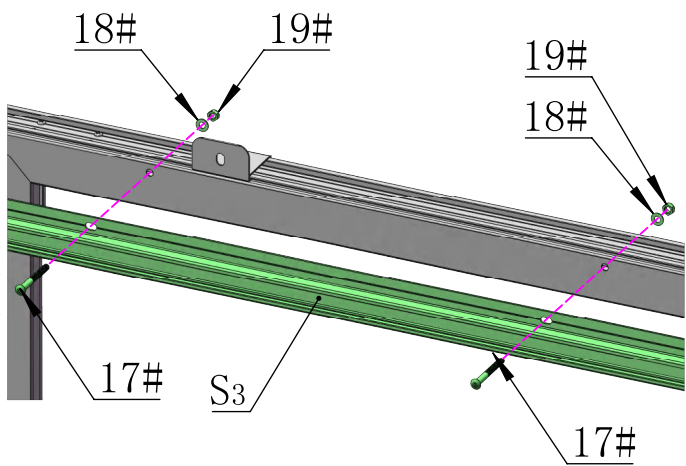
17# 12X

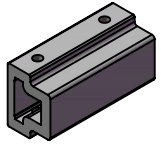


18# 12X

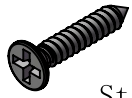


19# 12X





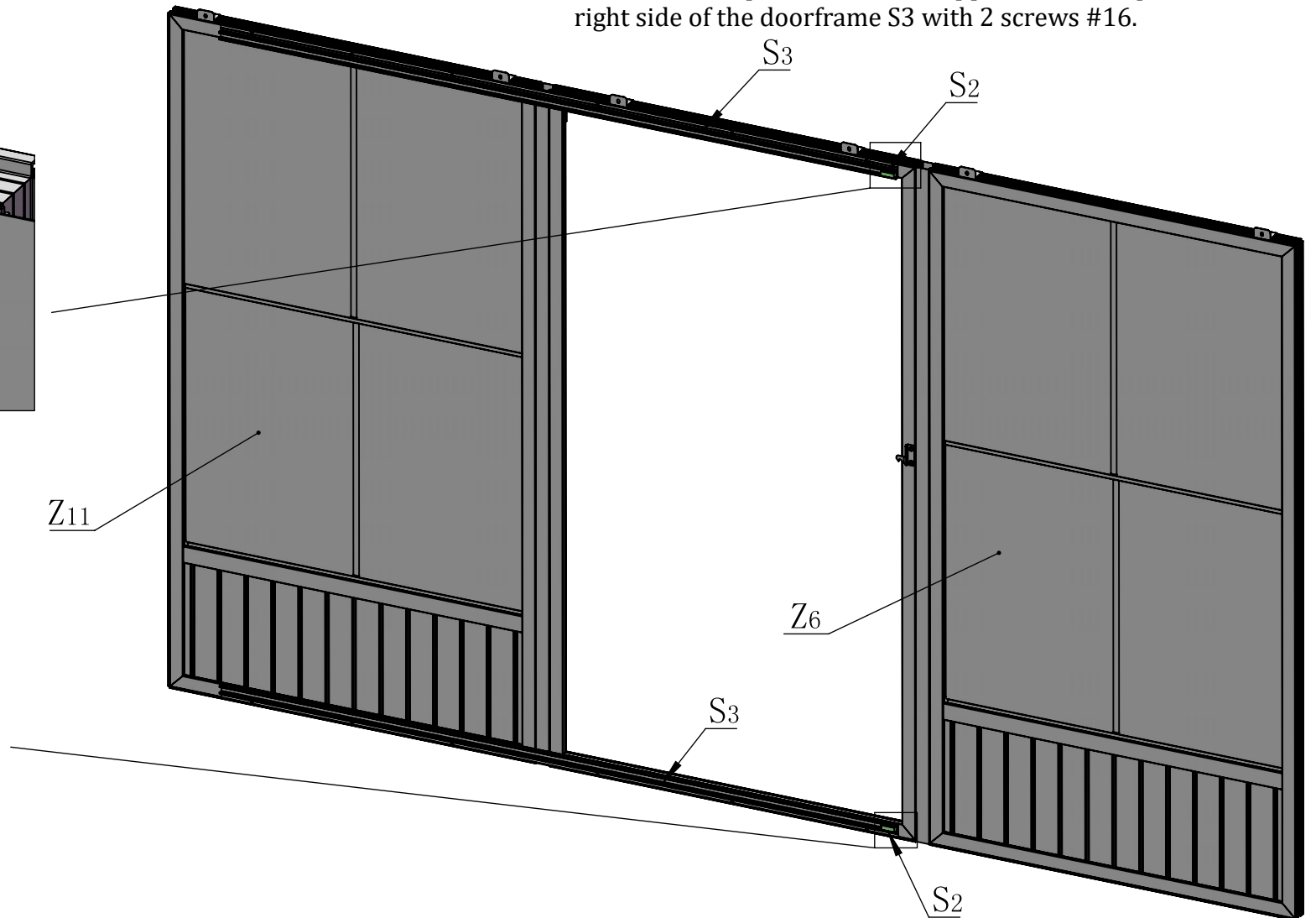
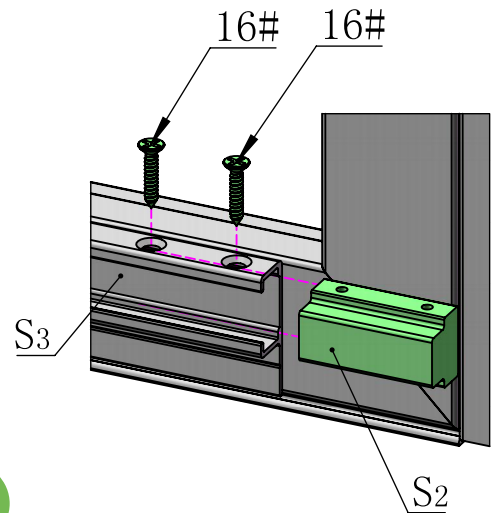
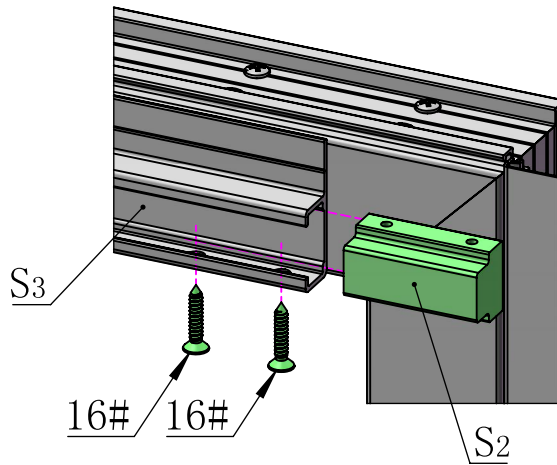
S2 2X

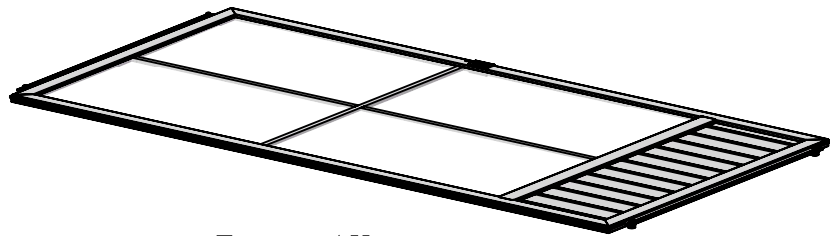


St3.5*19

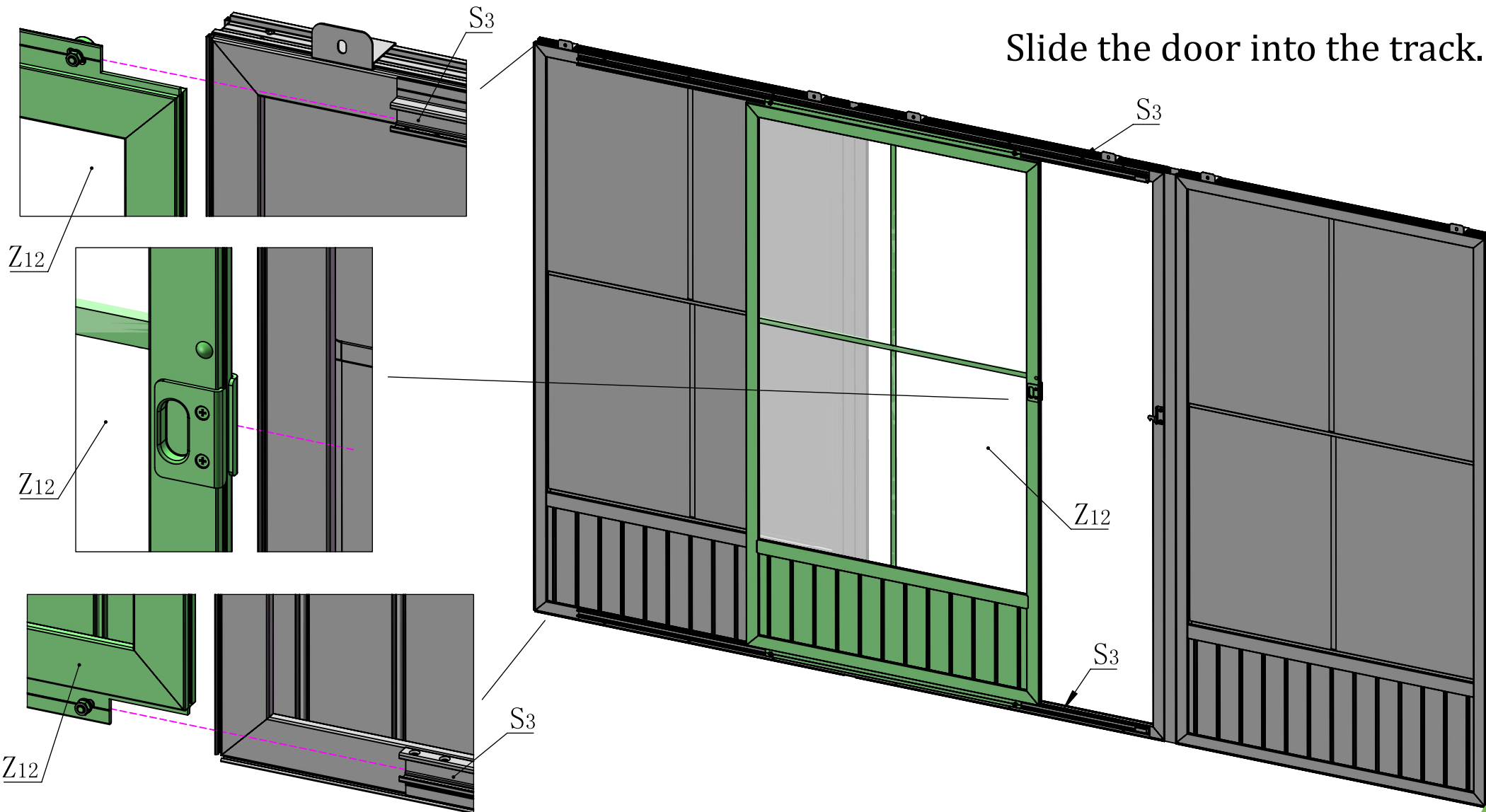
16# 4X

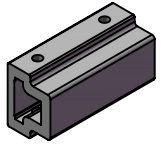
Install each stop block S2 to the upper and lower parts of the right side of the doorframe S3 with 2 screws #16.





Z12 1X

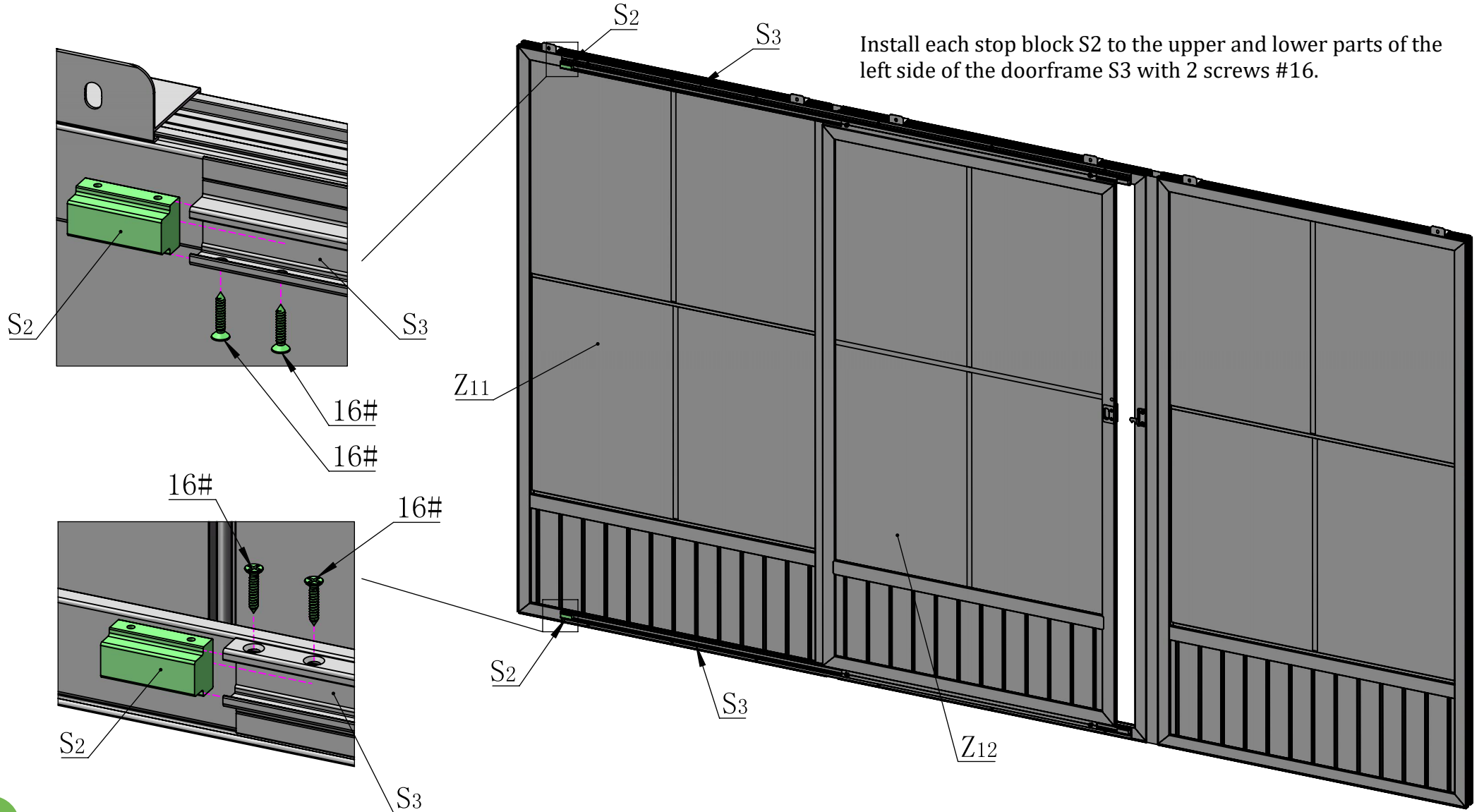




S2 2X

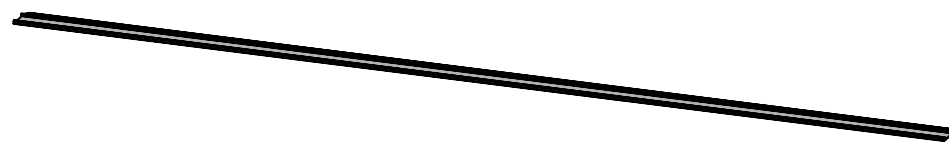


16# 4X

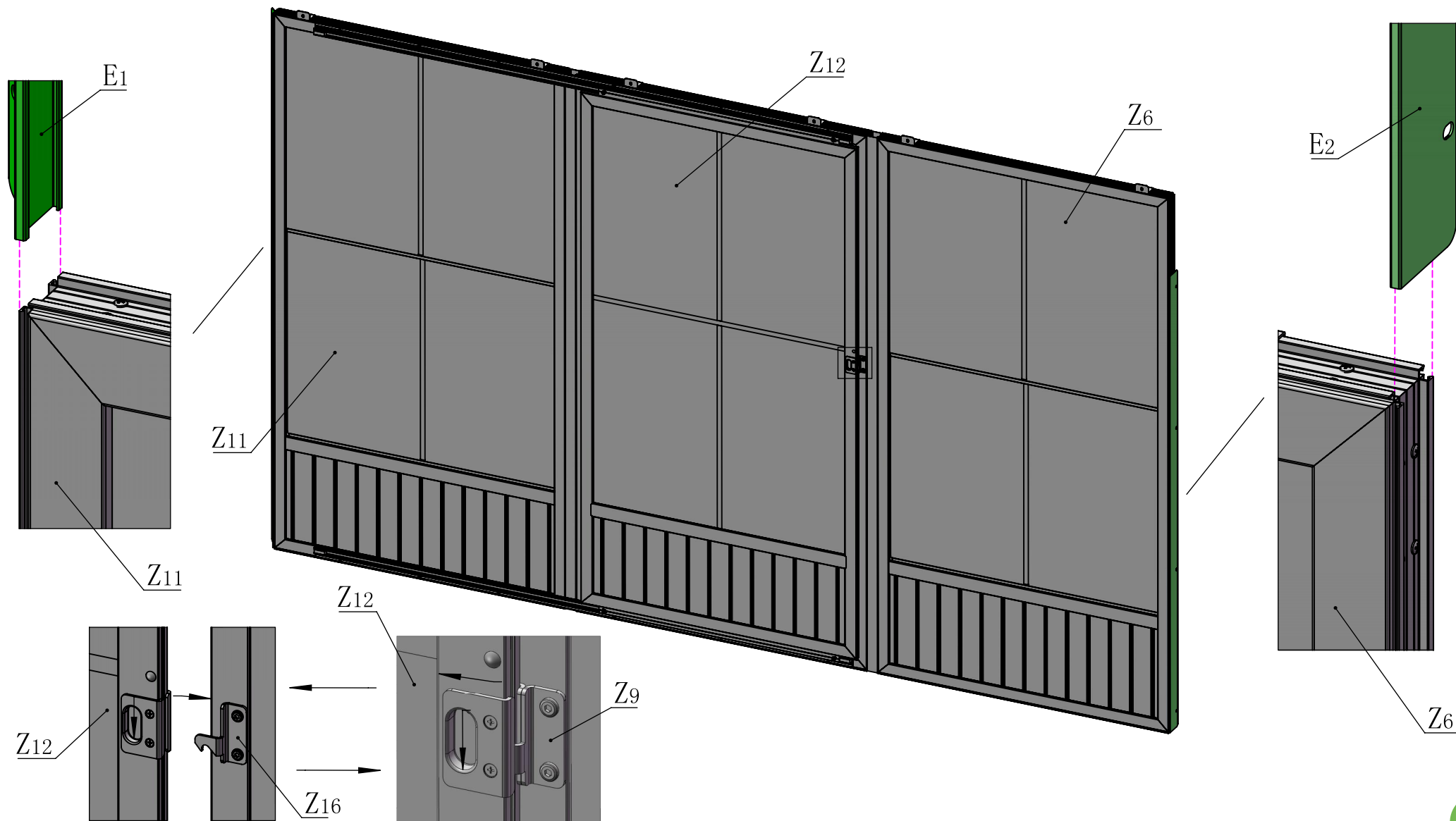


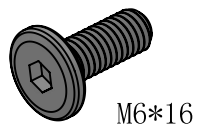


E1 1X

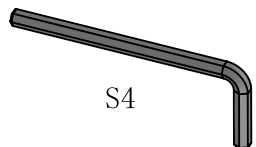


E2 1X





M6*16



S4

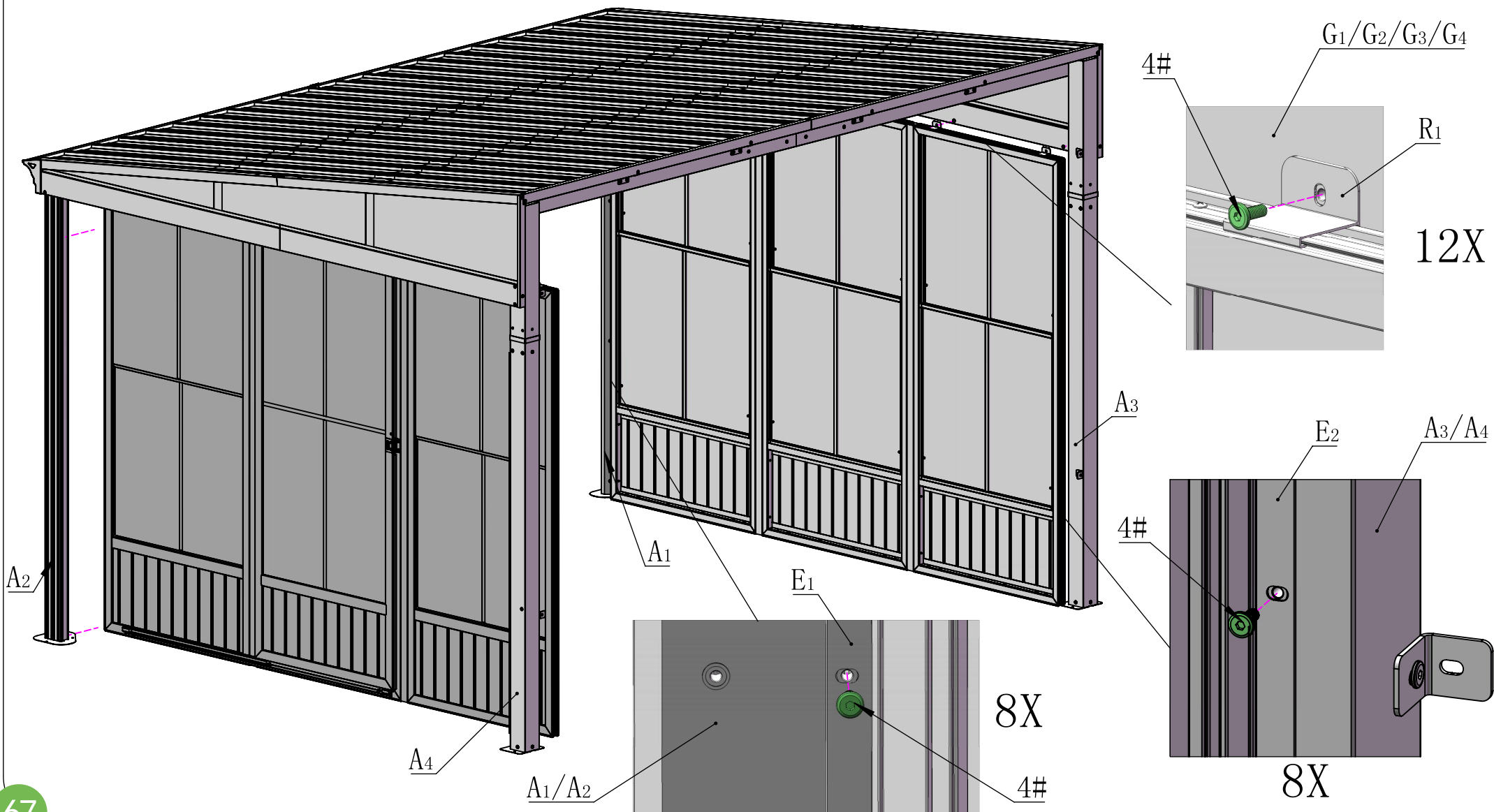
You can install the side wall with sliding door in either side.

4#

28X

24#

1X





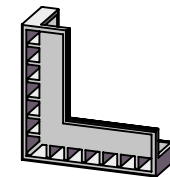
Z1 1X



Z2 1X



Z3 2X

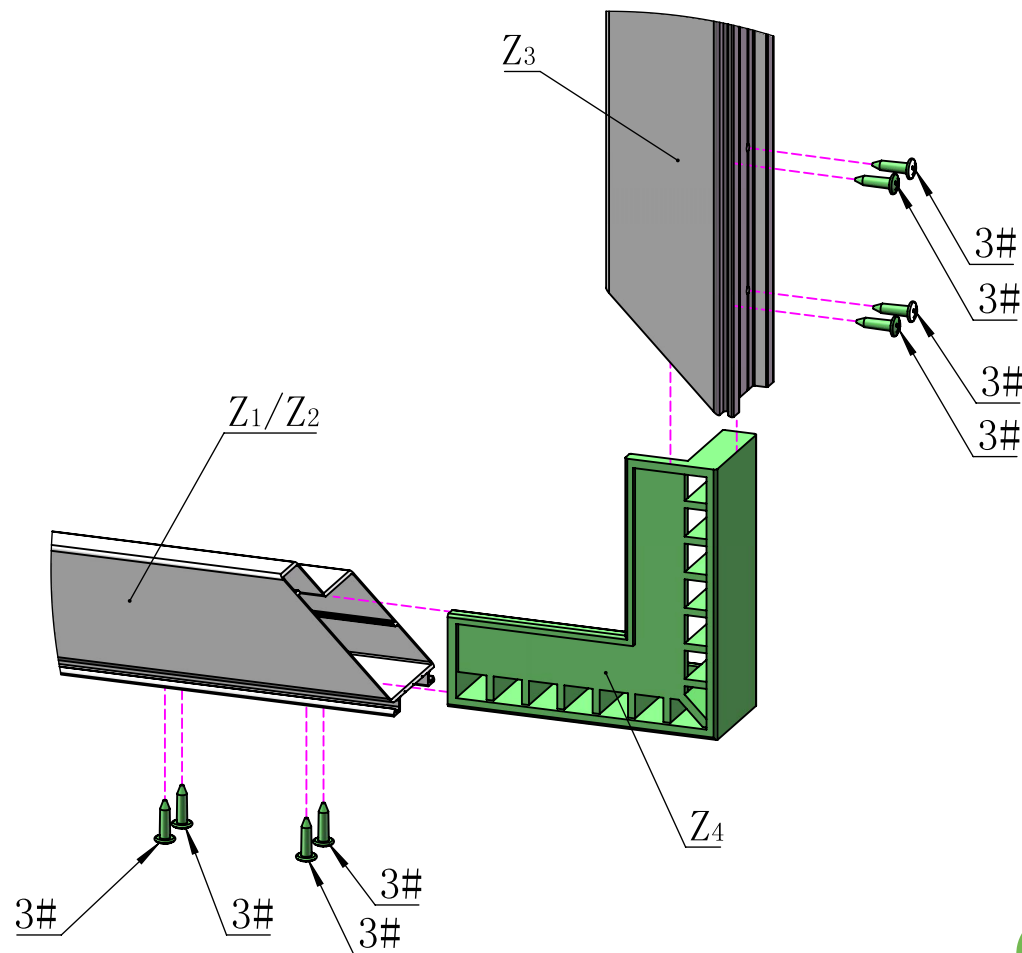
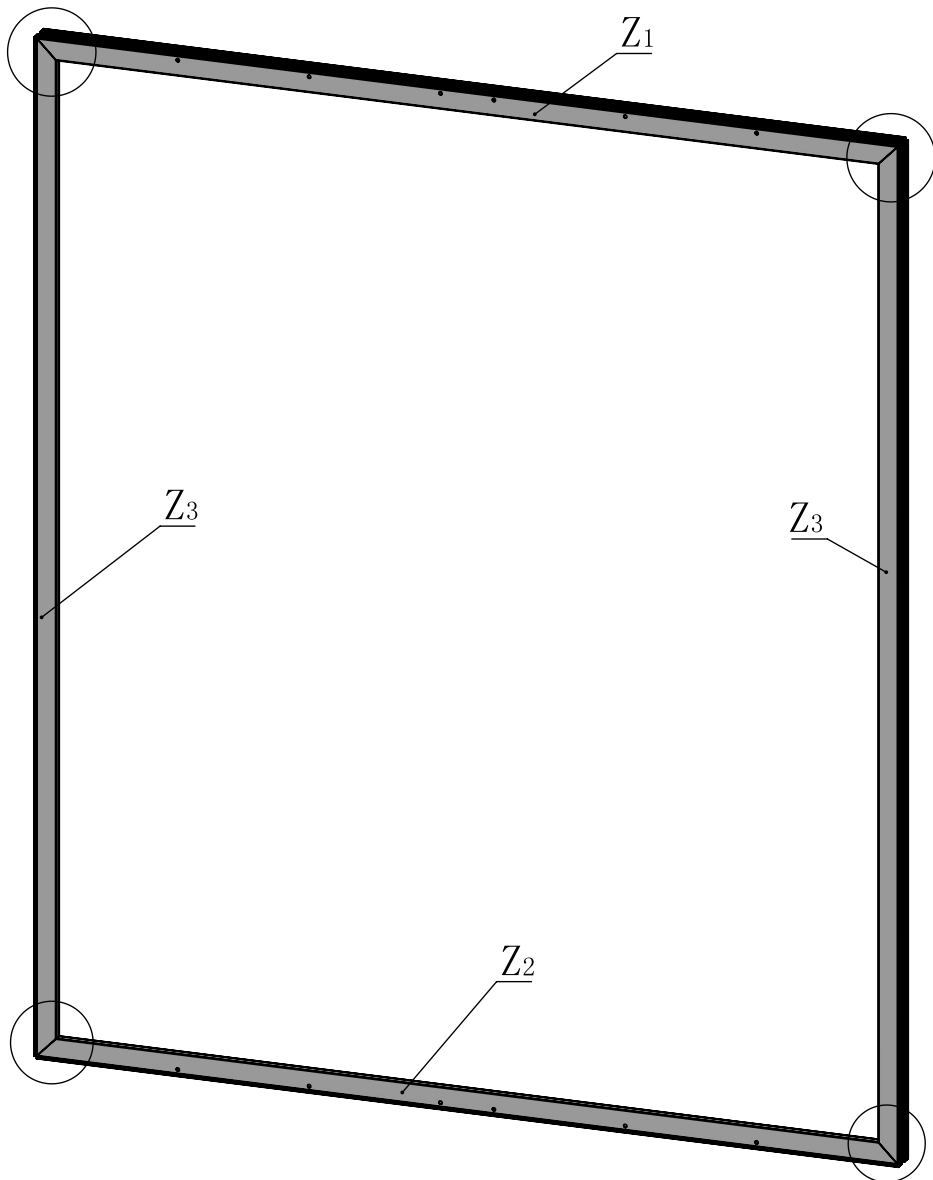


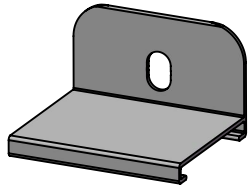
Z4 4X



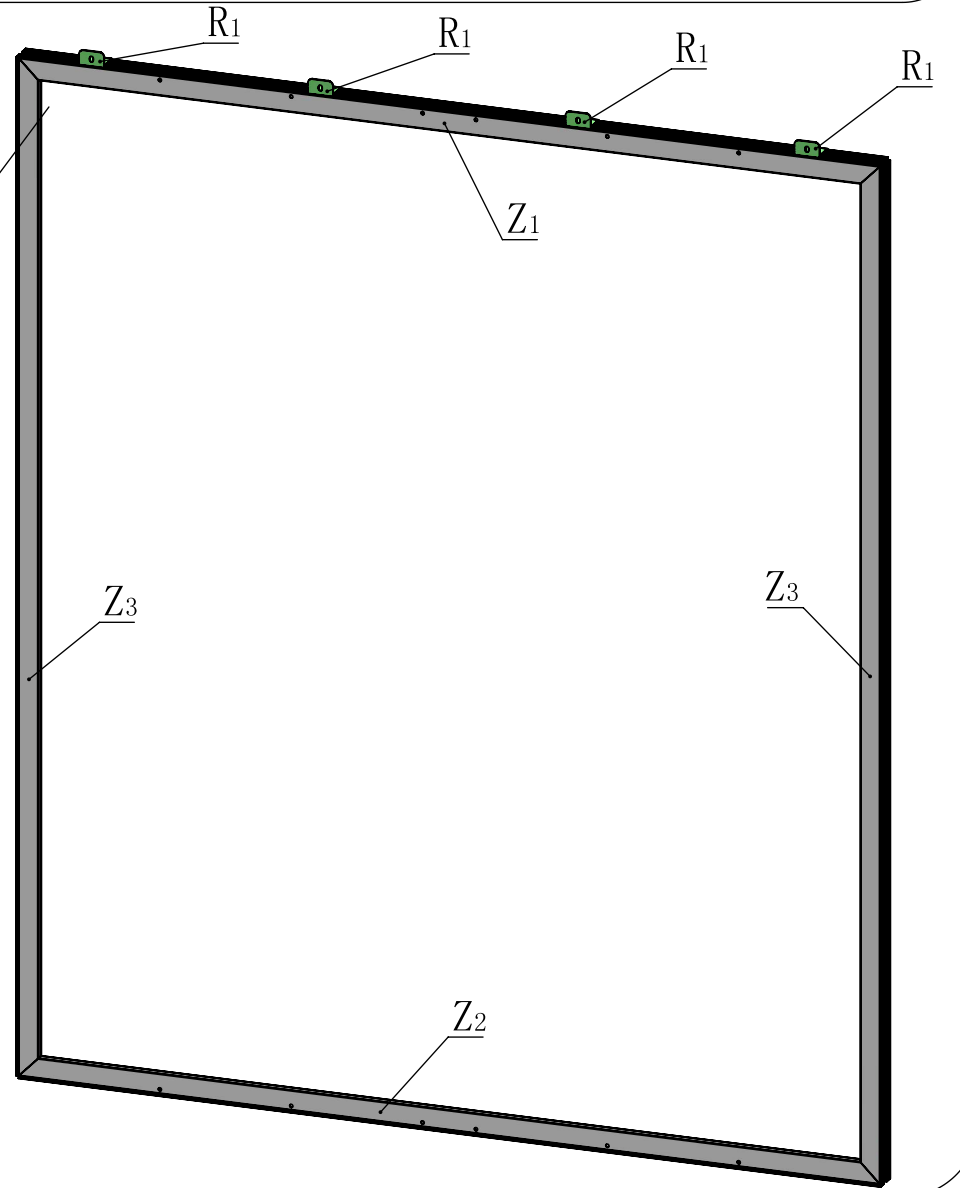
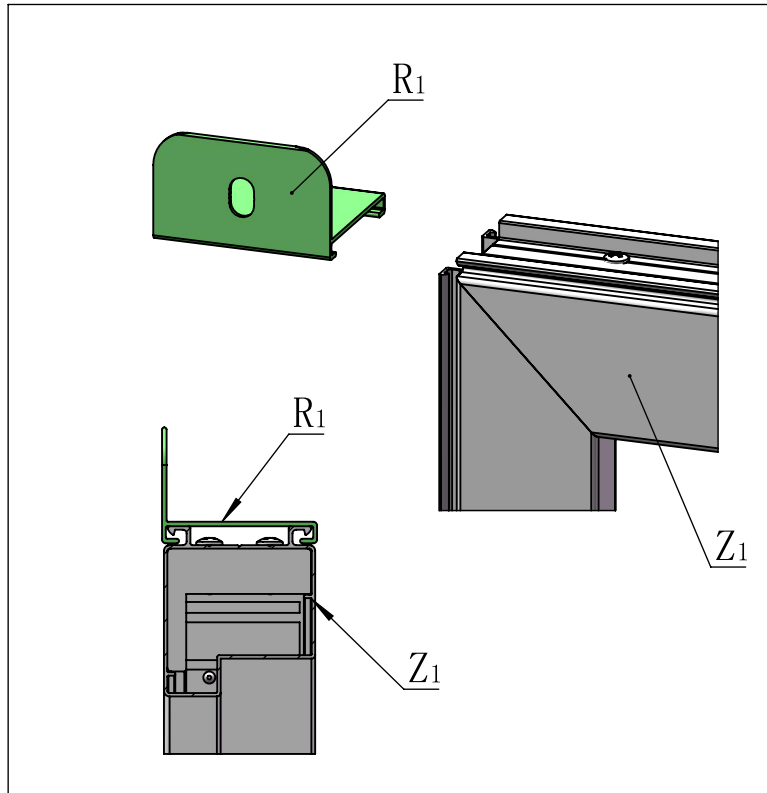
ST3. 5*13

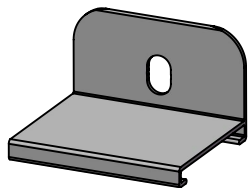
3# 32X



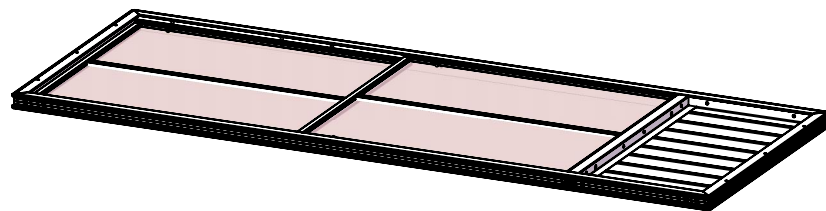


R1 4X

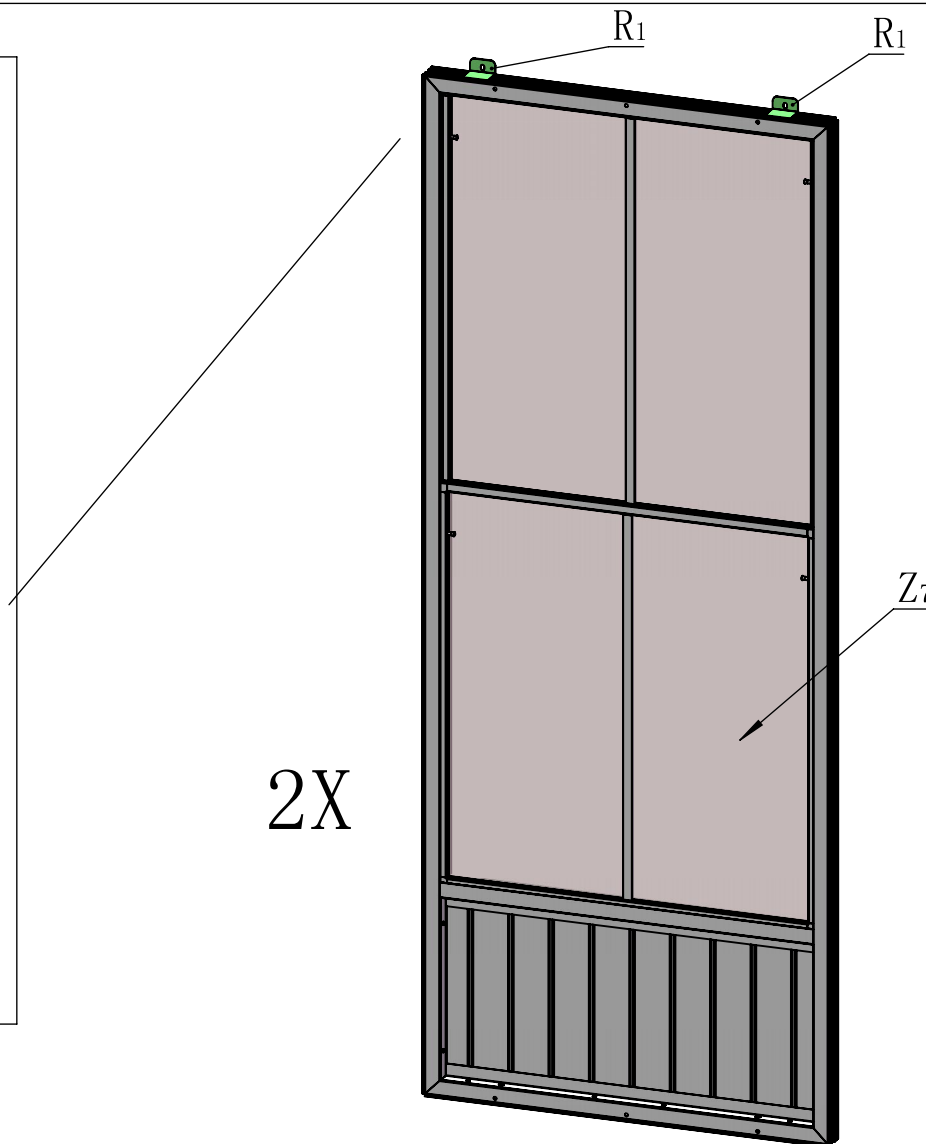
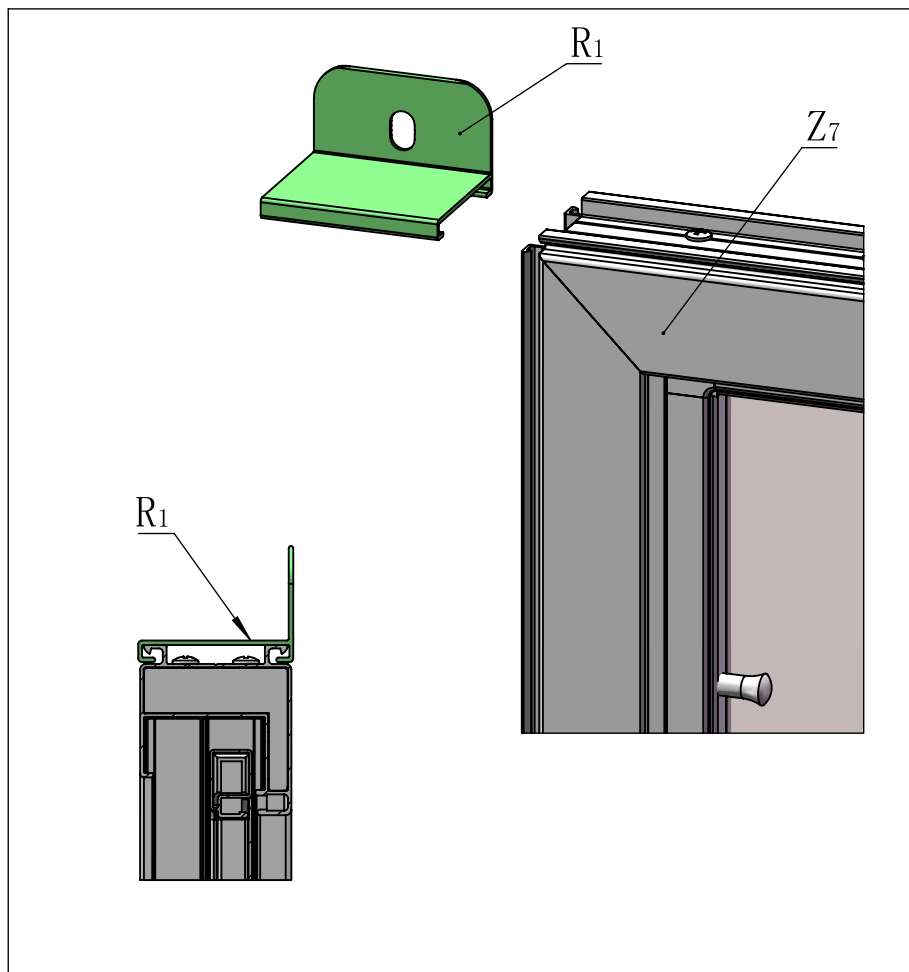


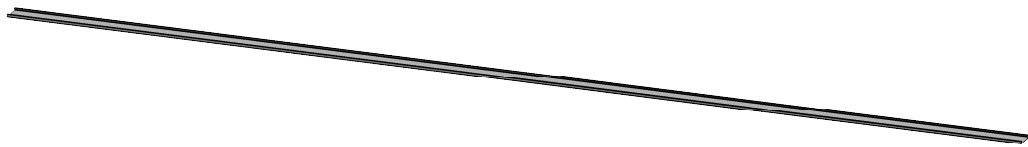


R1 4X

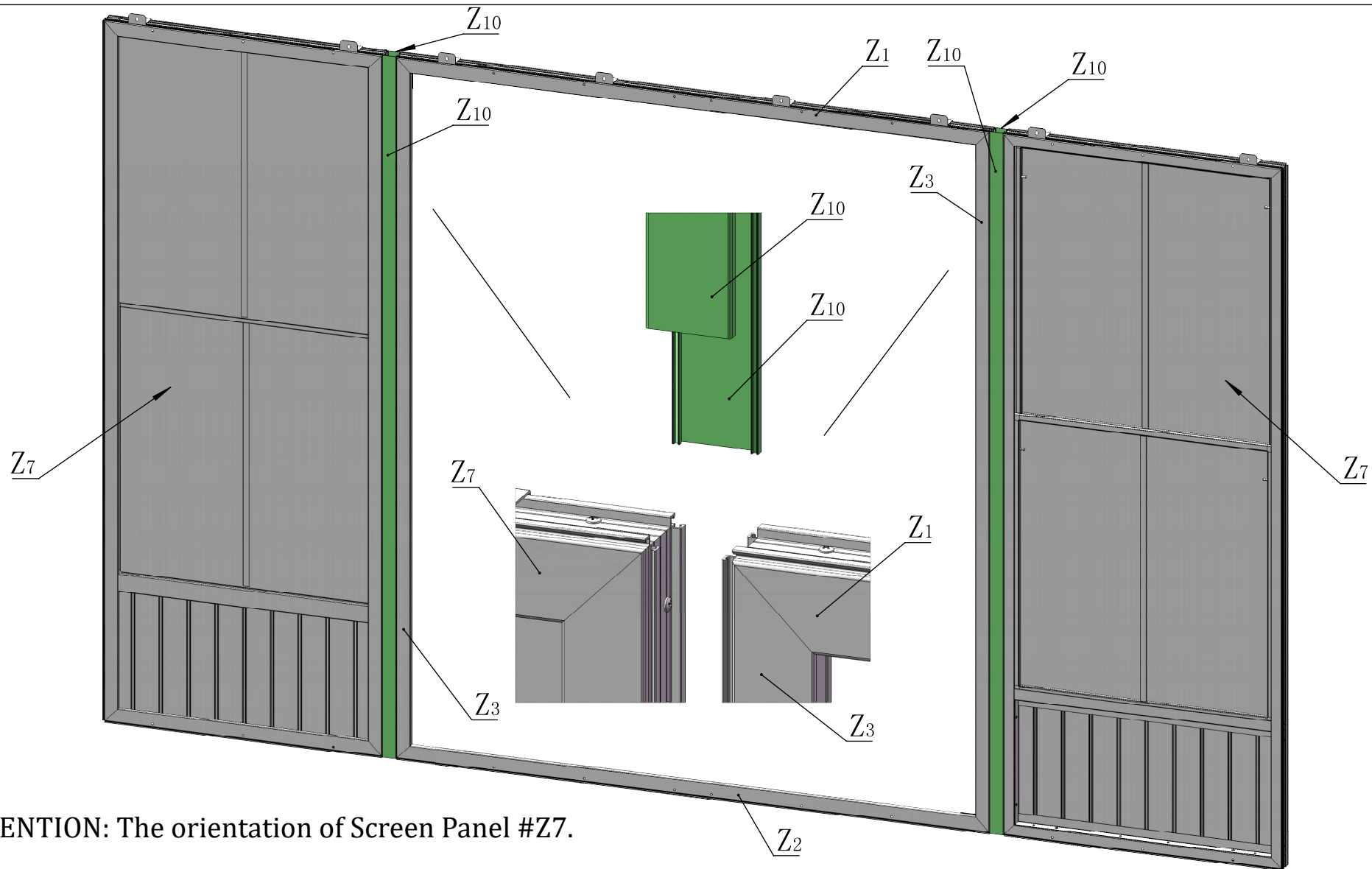


Z7 2X

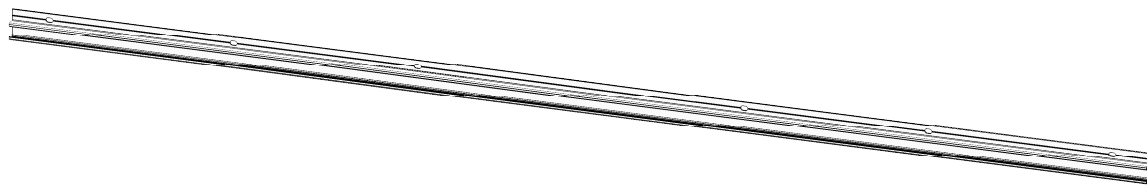




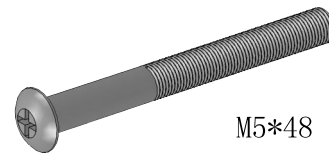
Z10 4X



▲ ATTENTION: The orientation of Screen Panel #Z7.



S1 4X



M5*48

17# 24X



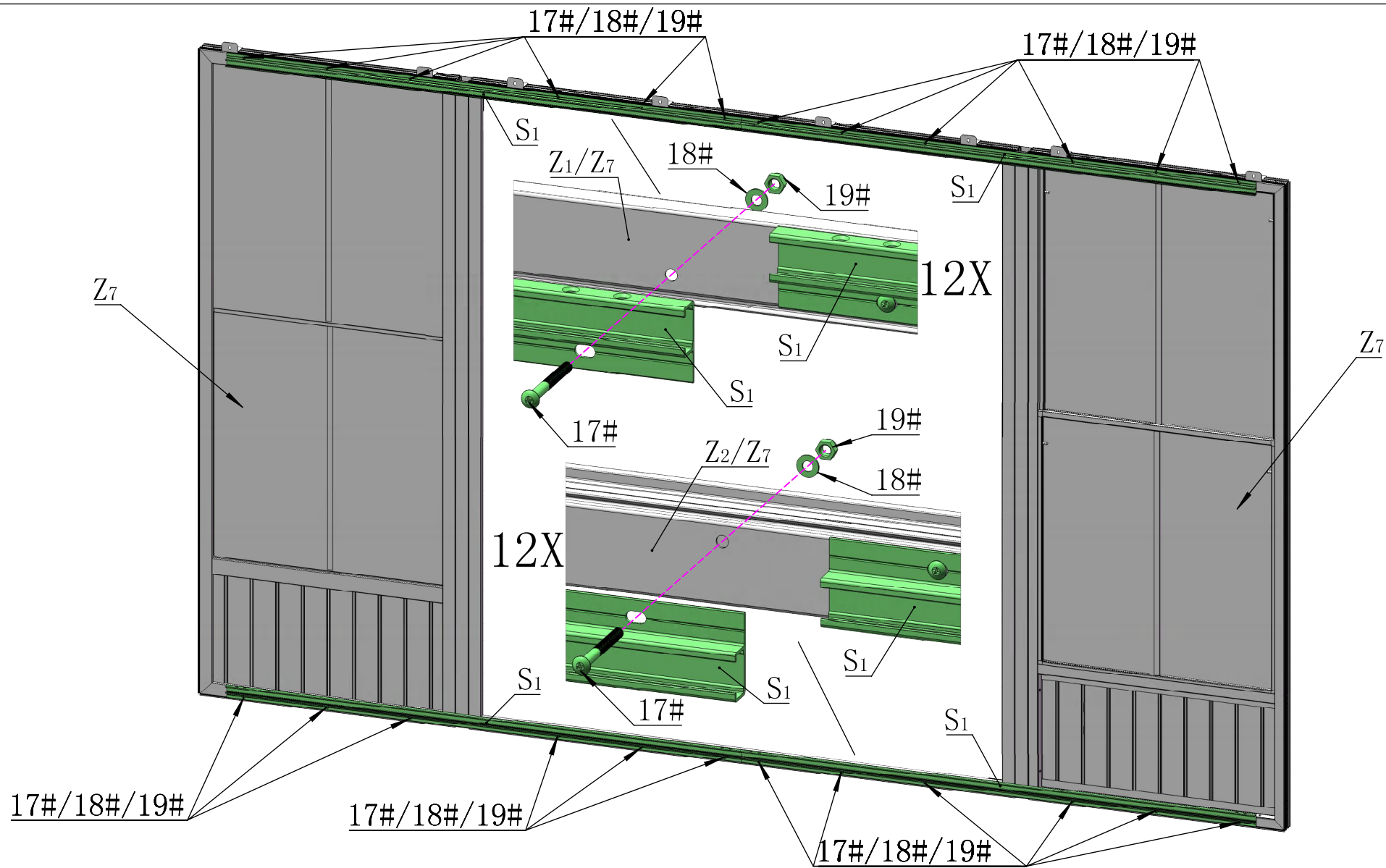
M5

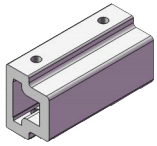
18# 24X



M5

19# 24X



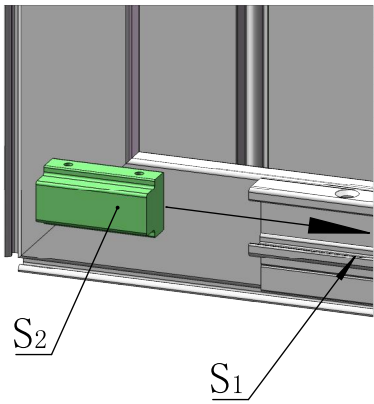
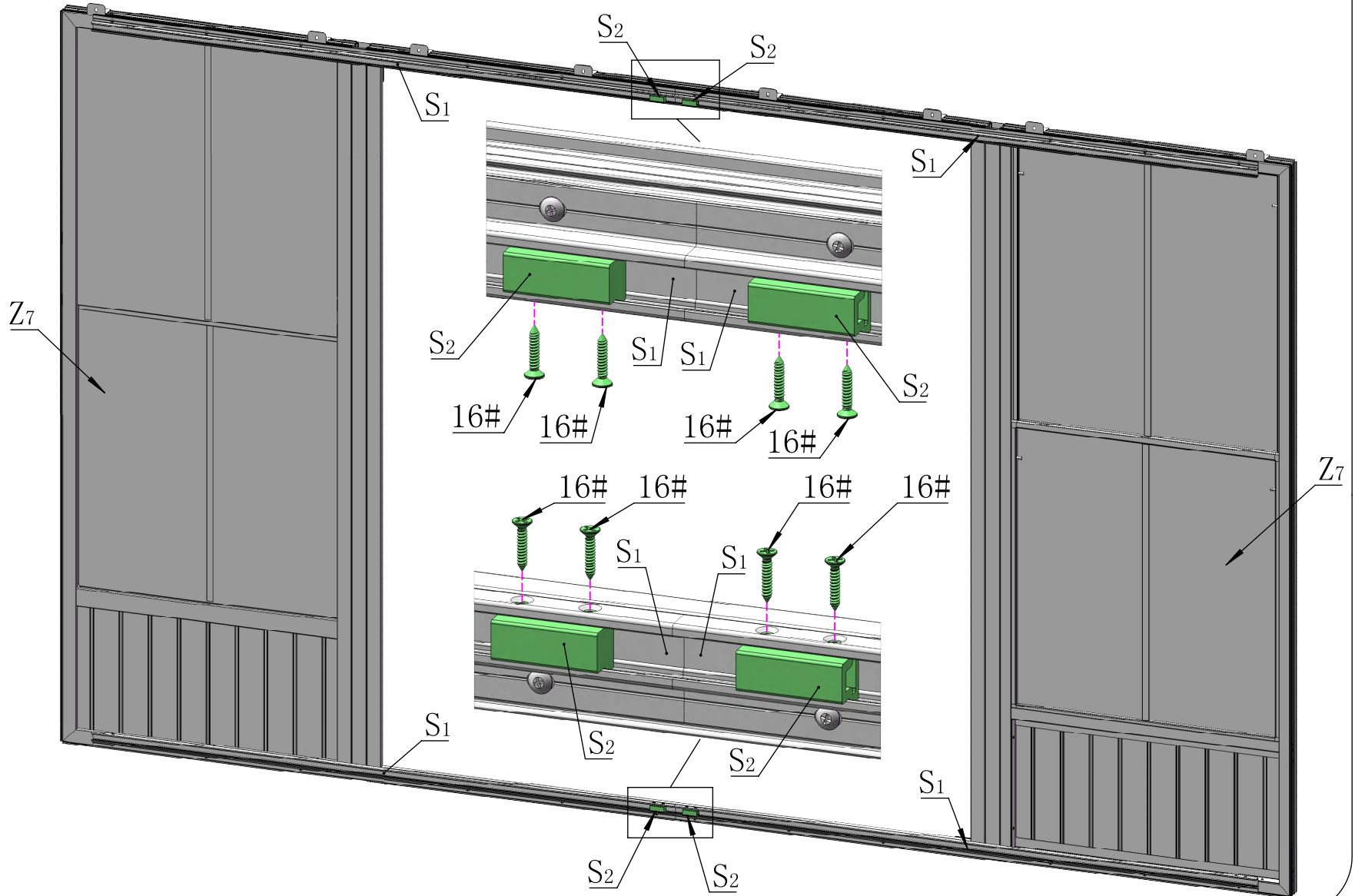


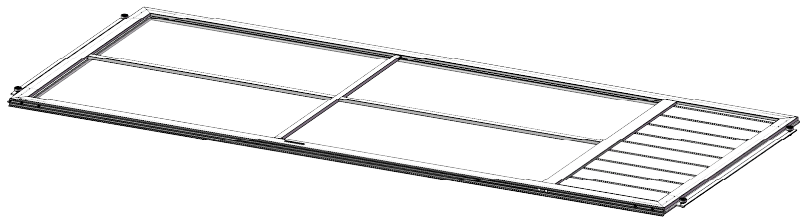
S2 4X



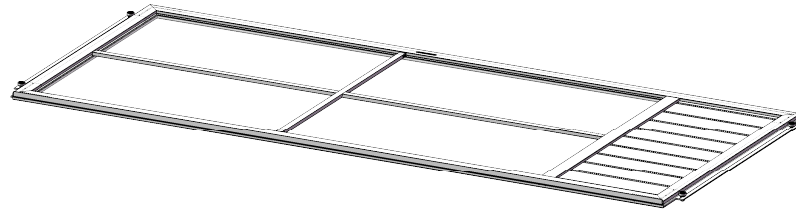
ST3. 5*19

16# 8X

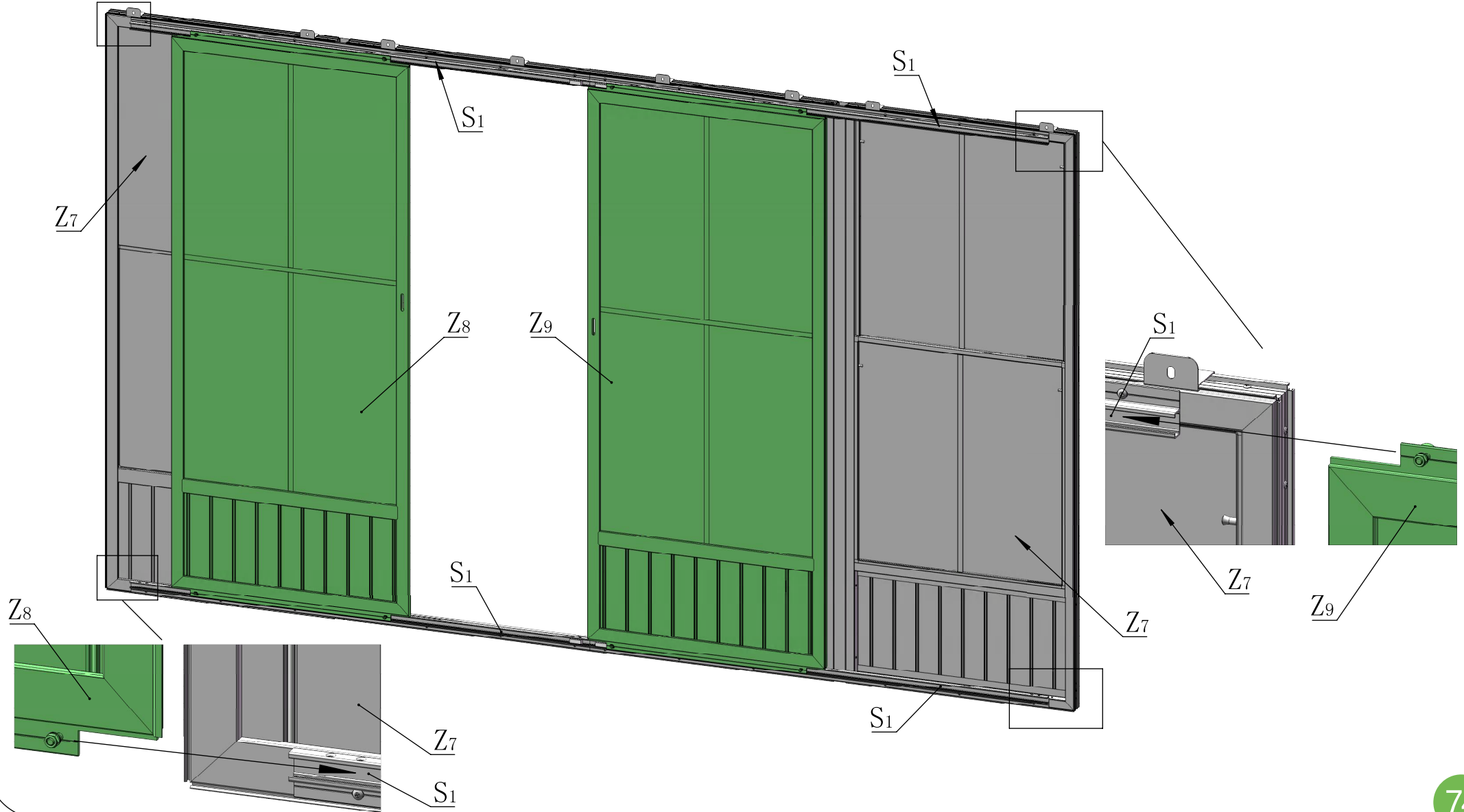


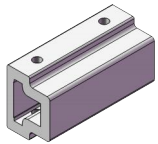


Z8 1X



Z9 1X

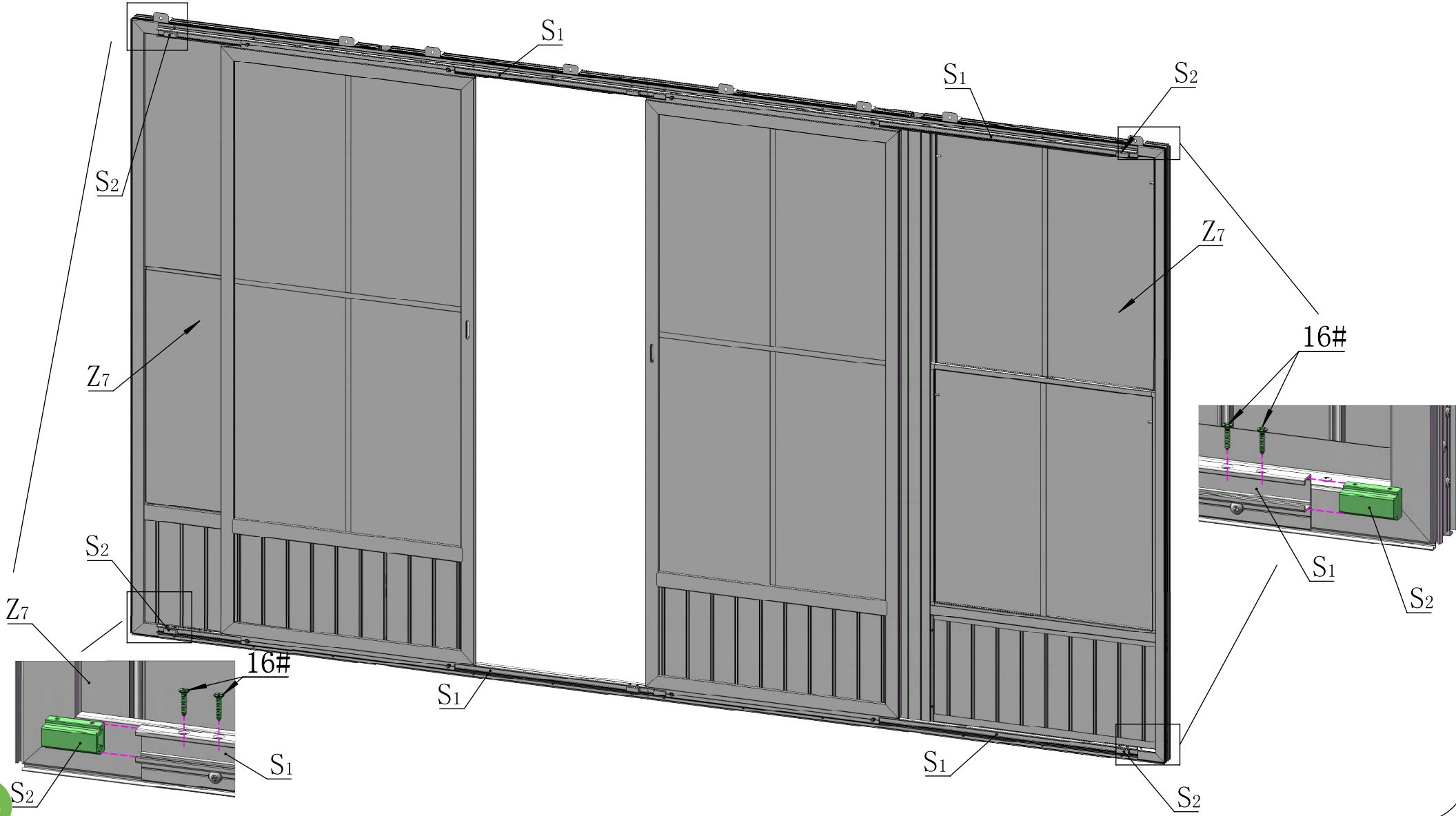


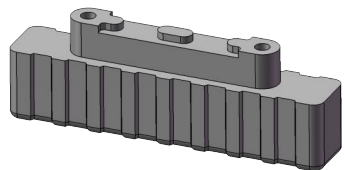


ST3.5*19

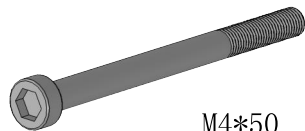
S2 4X

16# 8X





Z5 4X



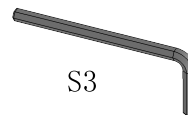
20# 4X

M4*50



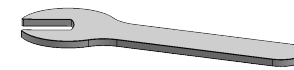
21# 4X

M4



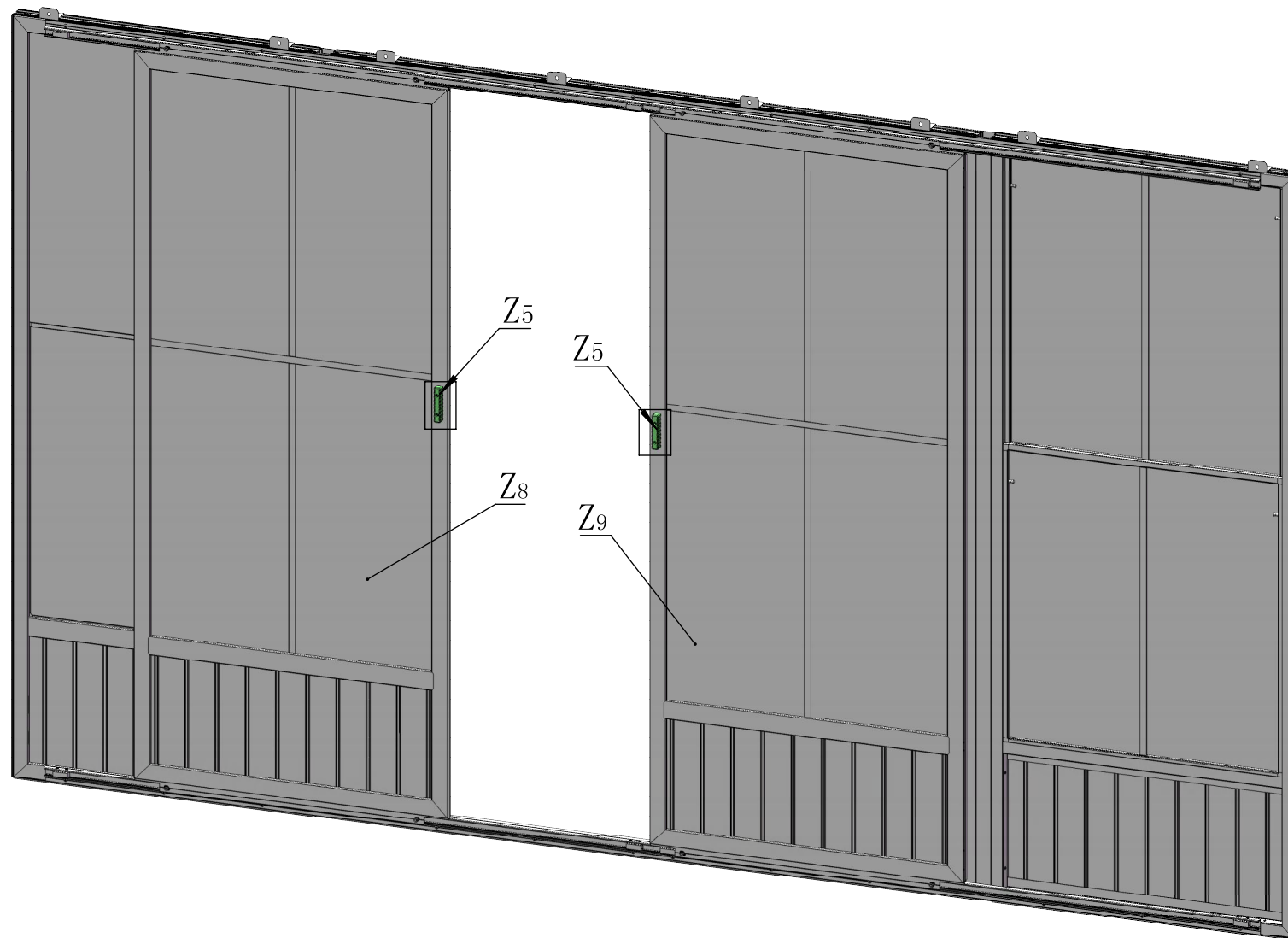
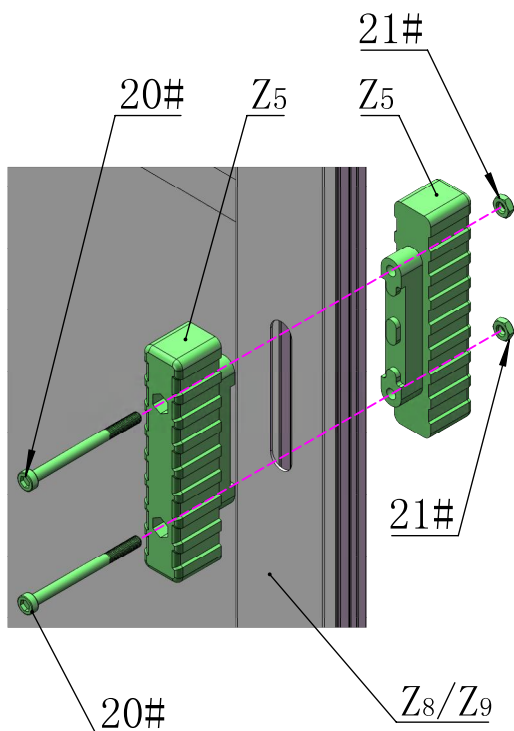
26# 1X

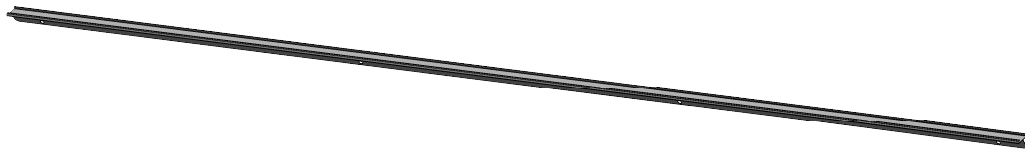
S3



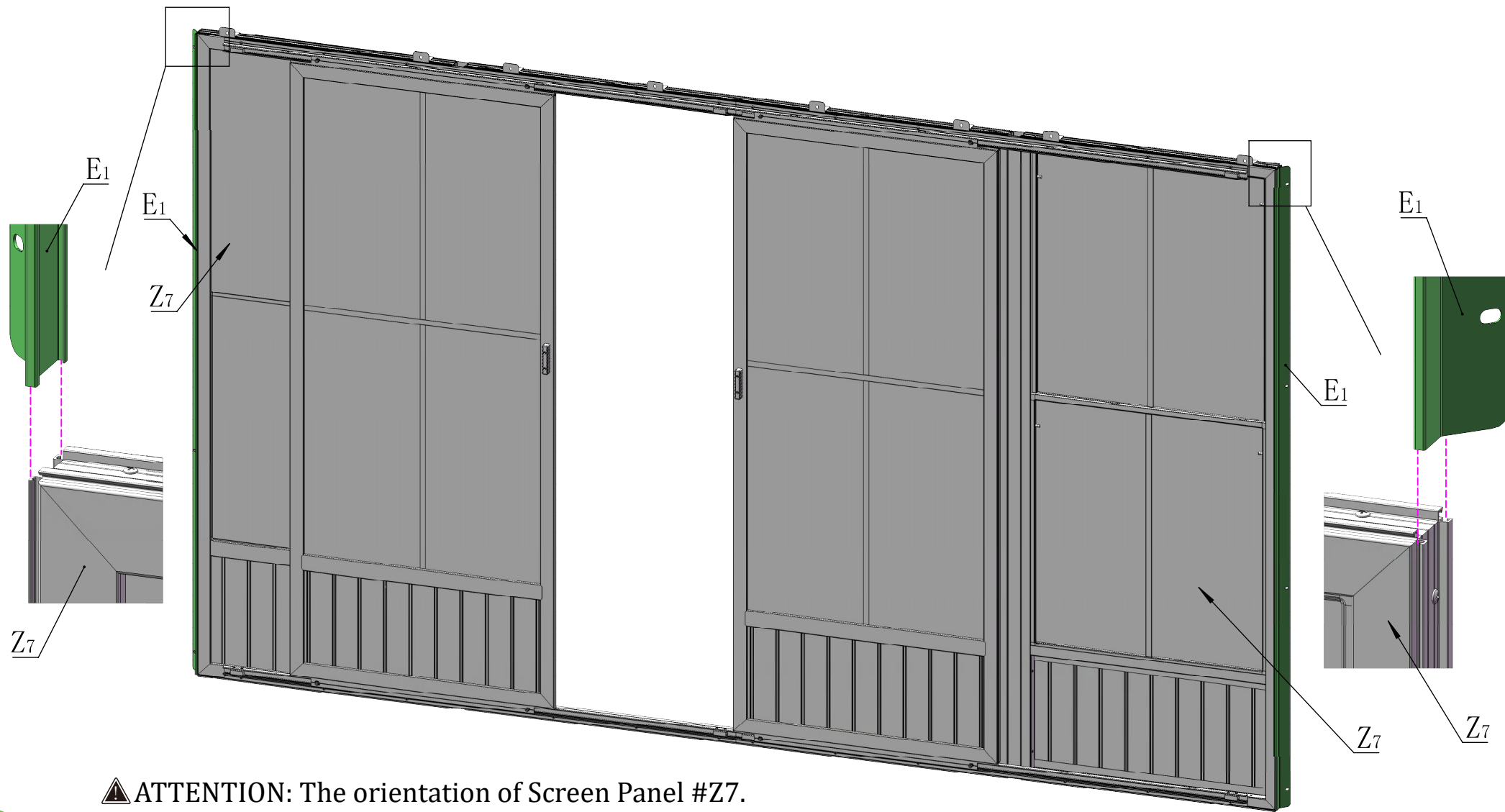
22# 1X

S8

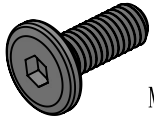




E1 2X



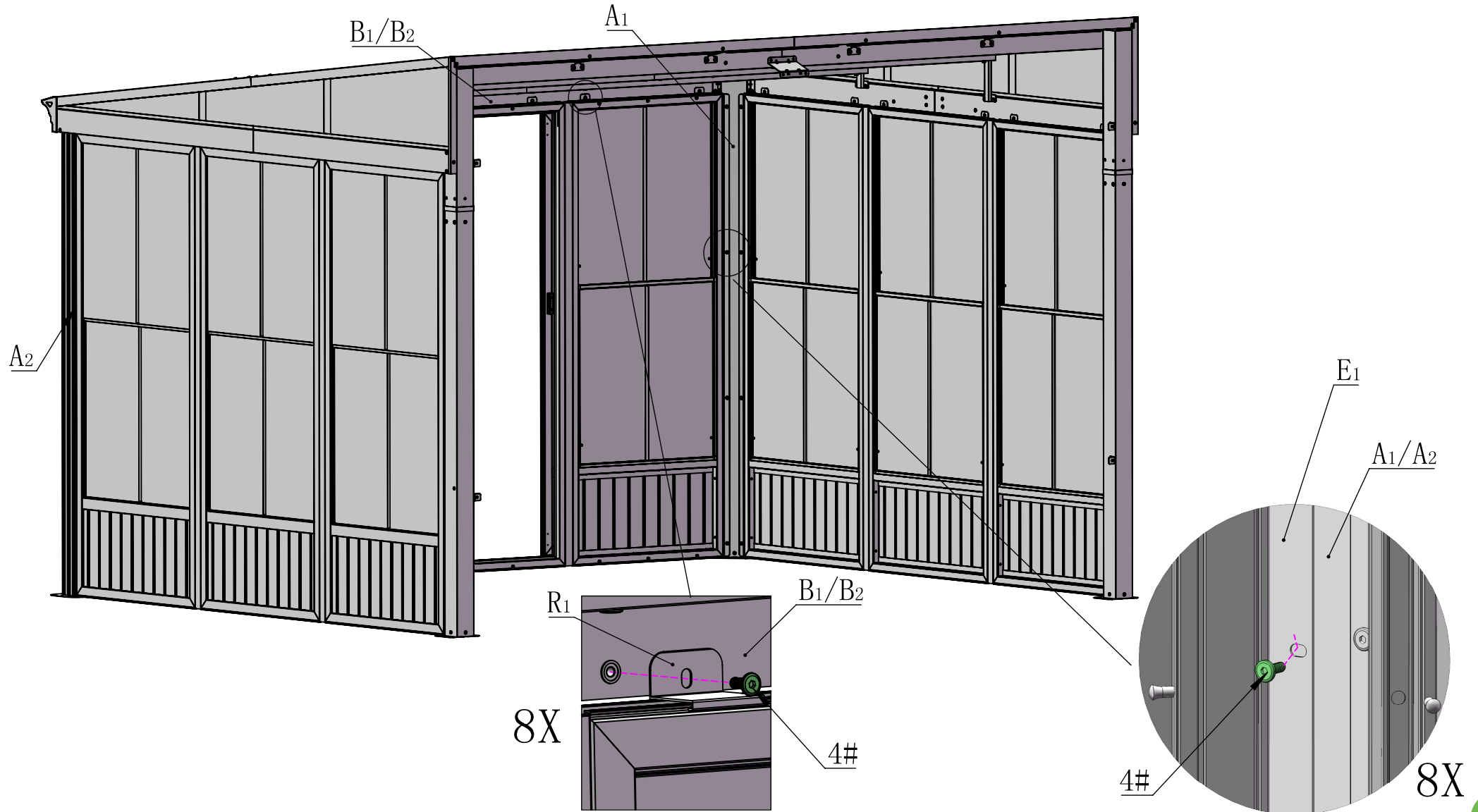
▲ ATTENTION: The orientation of Screen Panel #Z7.

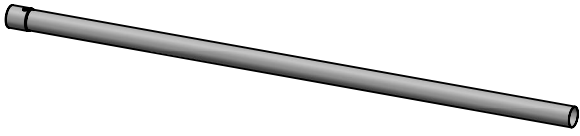


M6*16

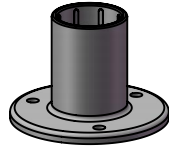
4#

16X

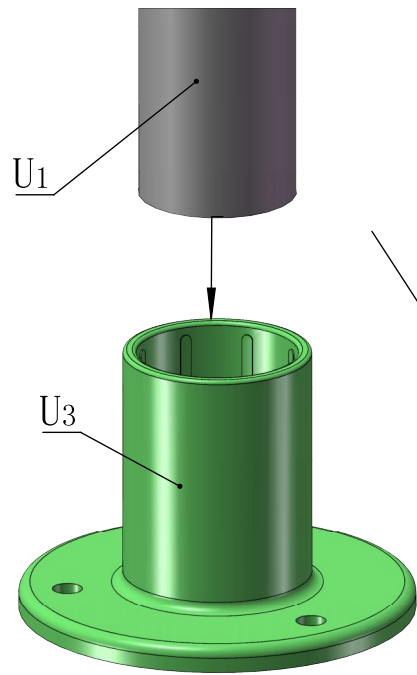




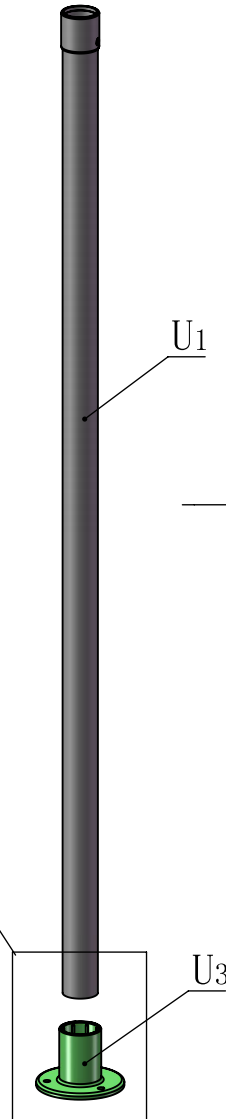
U₁ 2X



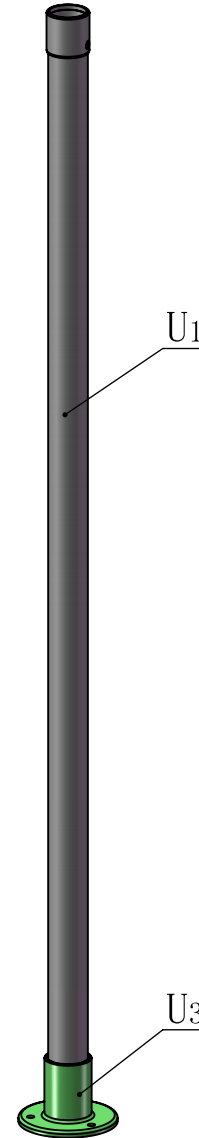
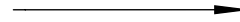
U₃ 2X



2X



U₁

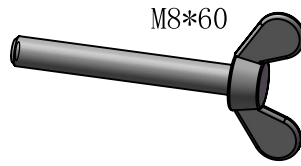


U₁

U₃



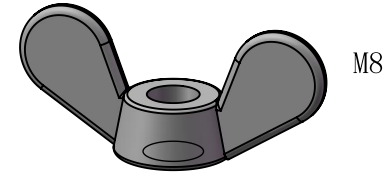
U2 2X



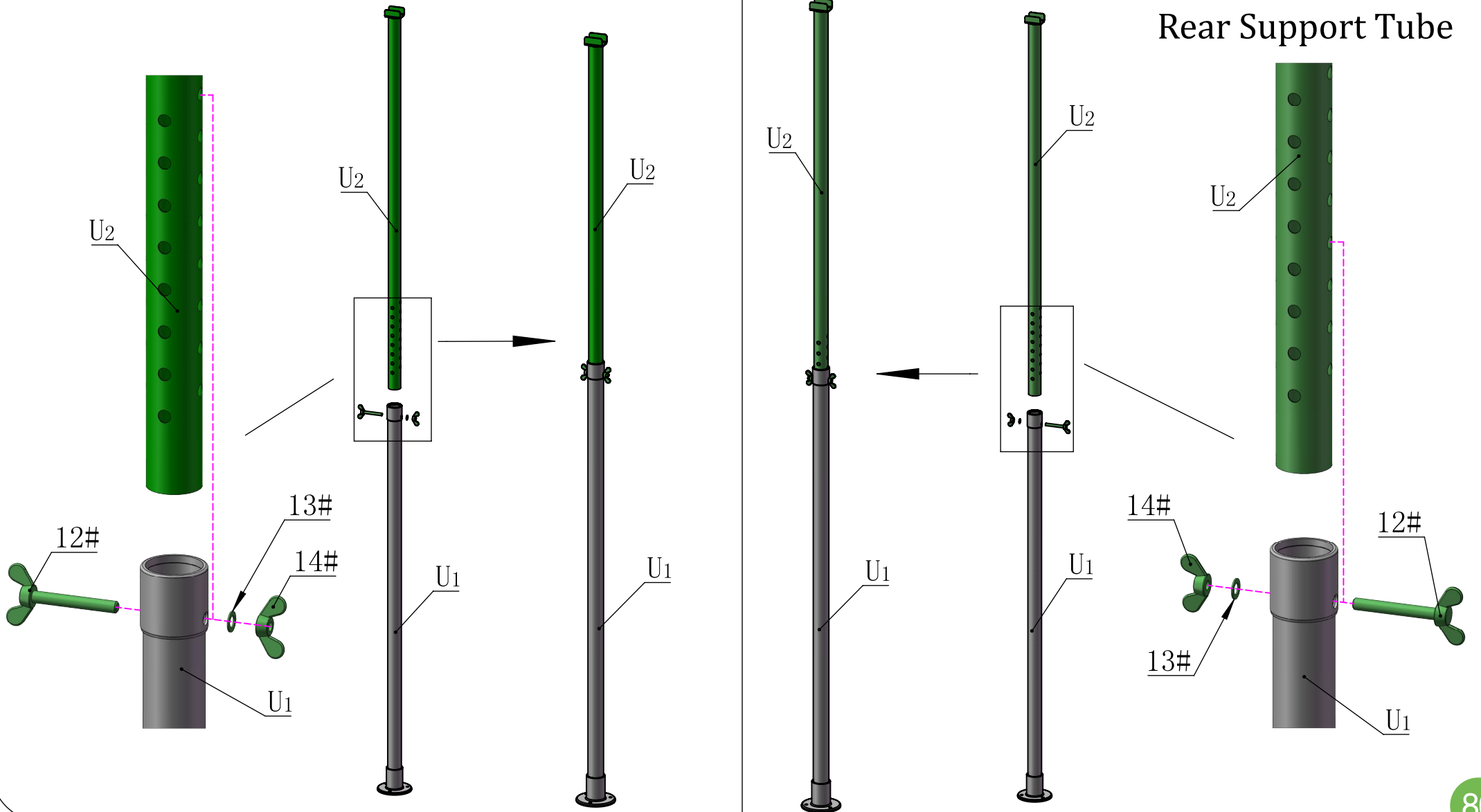
12# 2X



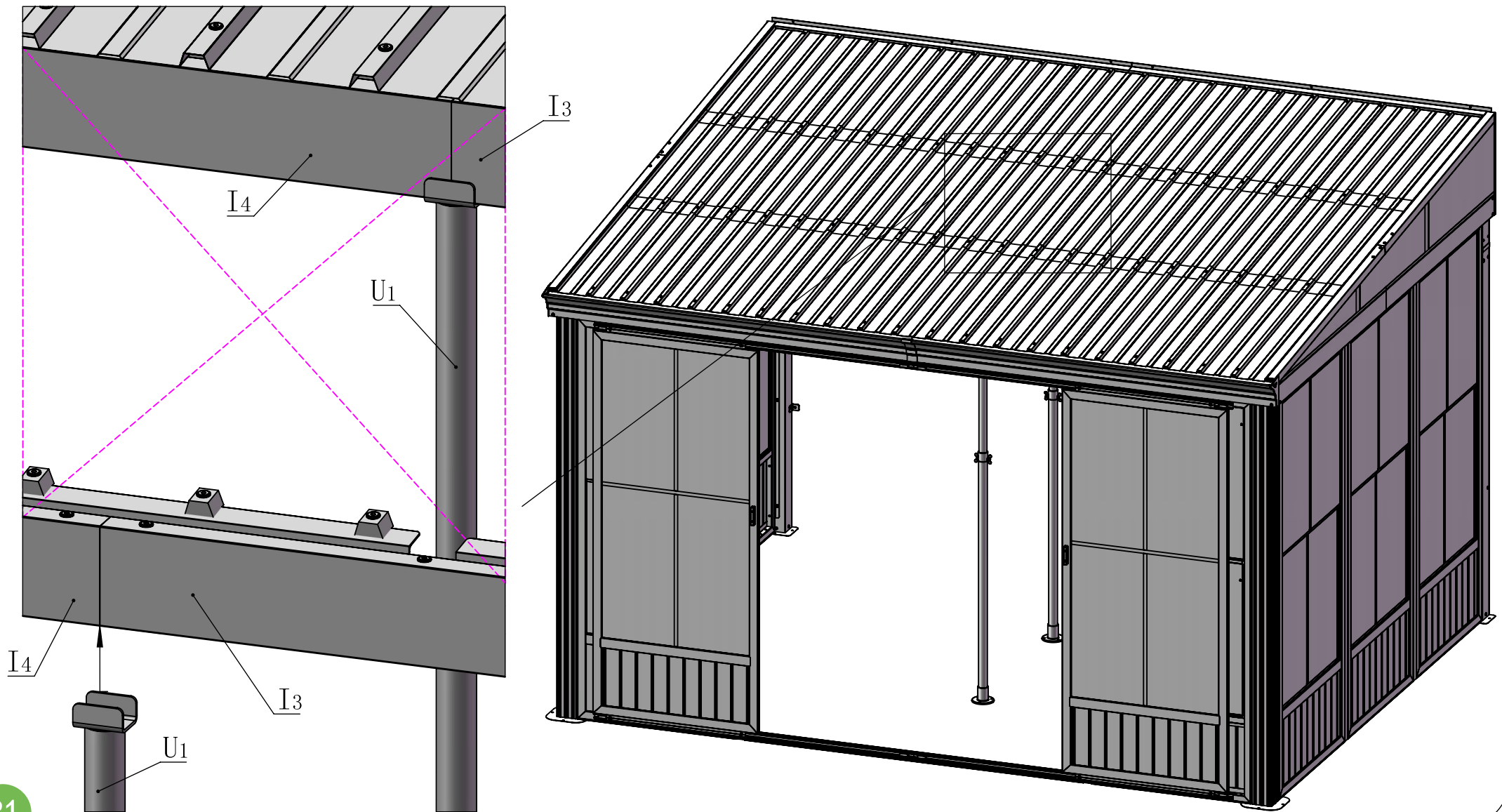
13# 2X

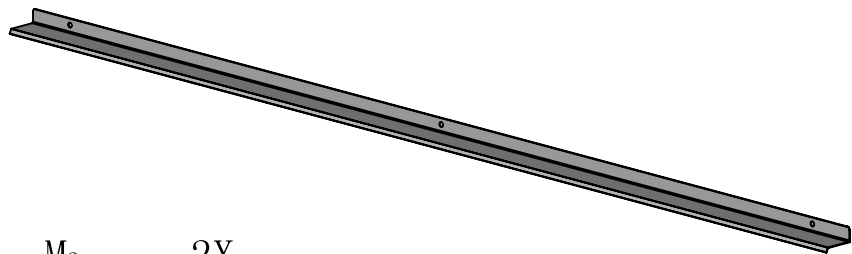


14# 2X

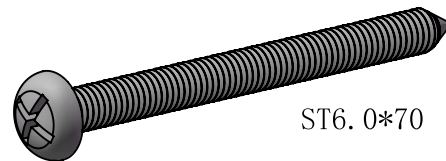


▲ The two support tubes can strengthen the weight capacity of the metal roof. In bad weather, especially snowstorm, they are essentially needed to prevent the roof from collapsing under heavy snow. In daily life, you can put them away.



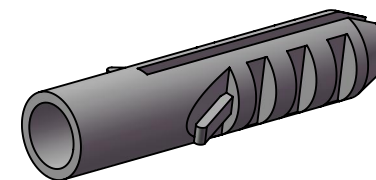


M3 2X



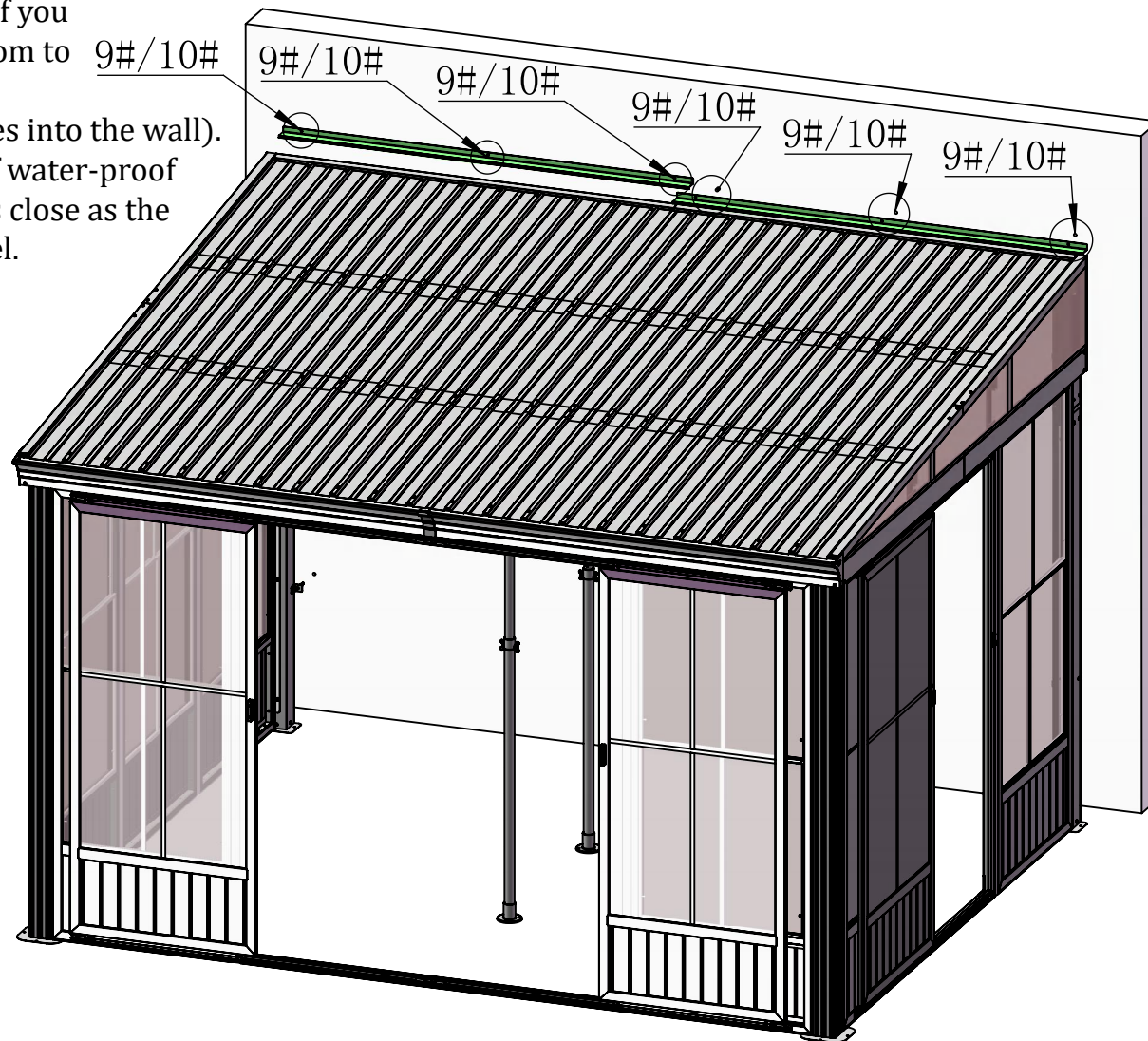
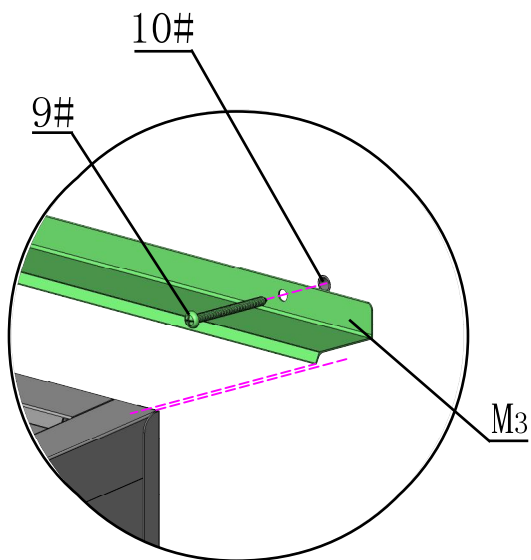
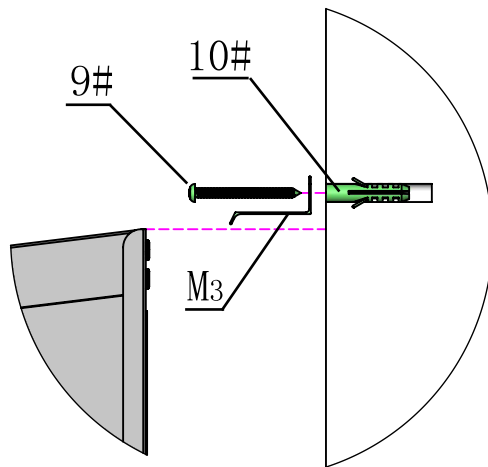
ST6.0*70

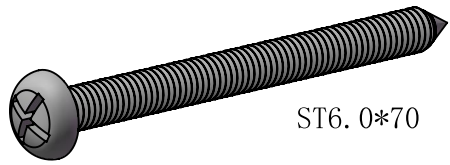
9# 6X



10# 6X

Follow this step only if you need fixing the sunroom to the wall (you need to drill holes into the wall). The install position of water-proof panel M3 should fit as close as the edge of rear roof panel.

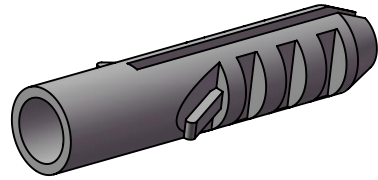




ST6. 0*70

9#

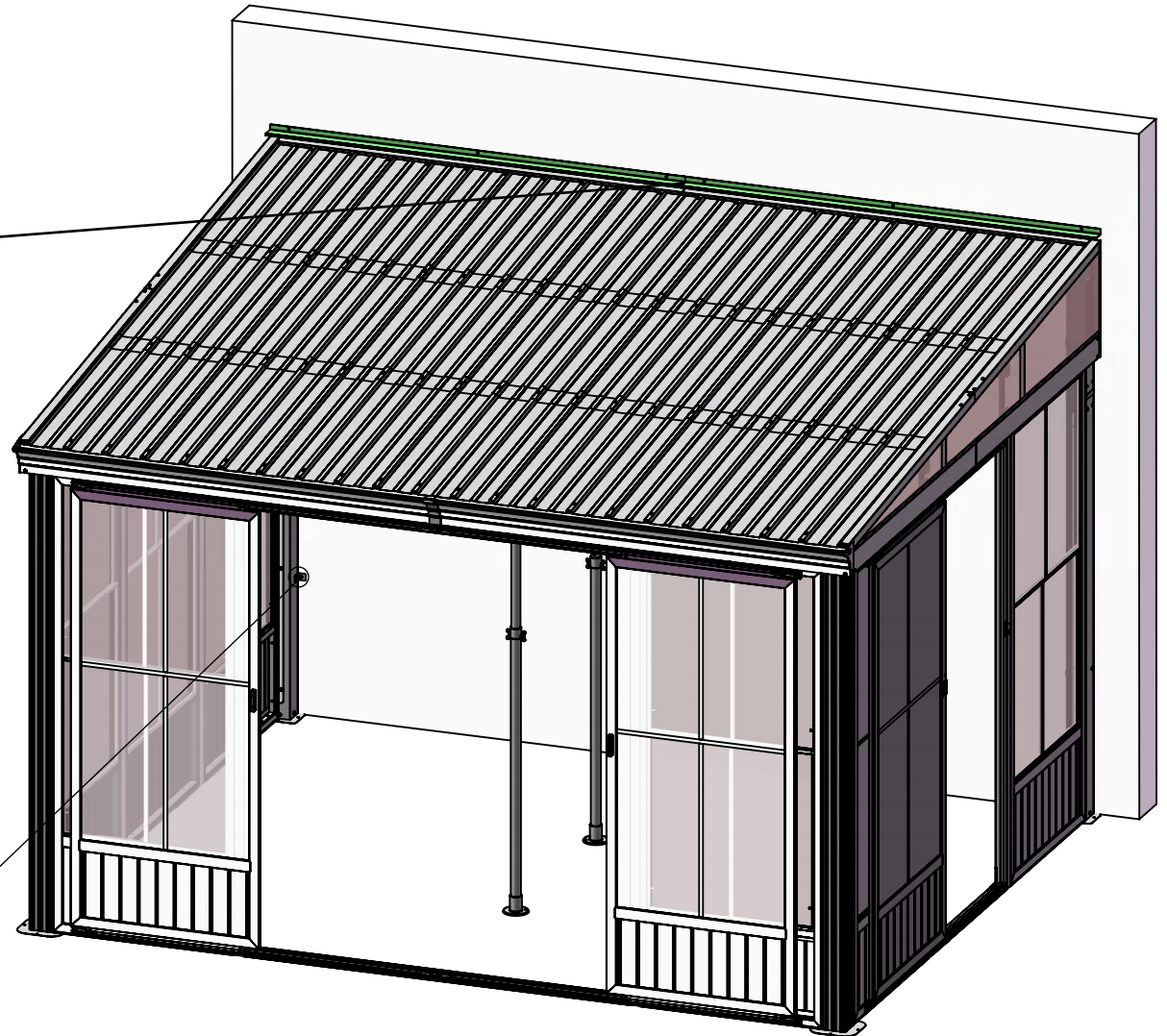
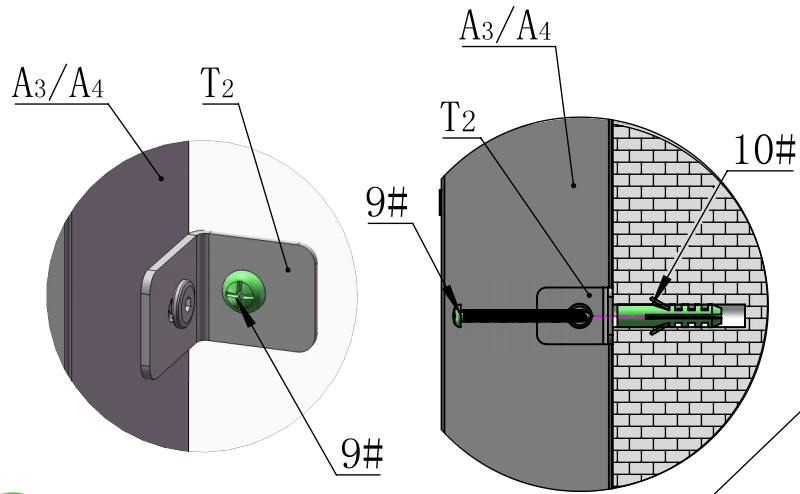
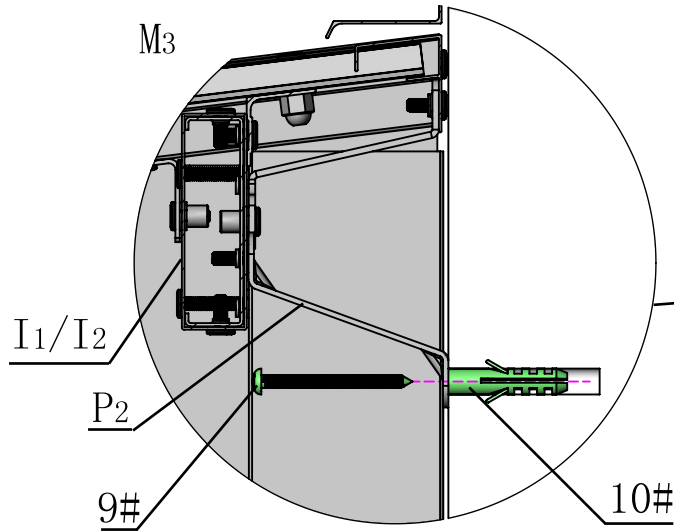
6X



10#

6X

Follow this step only if you need fixing the sunroom to the wall (you need to drill holes into the wall).
If possible, use silicone sealant on the top of M3 to seal out water.
Otherwise please skip this step.



Care and Cleaning

Wash frame part with mild soap and water, rinse thoroughly.

Do not use bleach, or other solvents on the frame parts.

Please check periodically that the sunroom is anchored properly to the floor or ground to enjoy its safe usage.

Please check periodically that all screws are tight to maintain the solidity of the structure.

Please remove any snow accumulation at all times.

Warranty

Frames

Frames constructions are warranted to be free from defects in material and workmanship for 1 year from item purchased. Damage to frame from negligence won't be covered by this warranty.

Bolts & nuts

Bolts and nuts are warranted to be free from defects in material and workmanship for 1 year from item purchased. Damage from exposure to chemicals (including not only oils ,spills, fluids) won't be covered by this warranty.

Warranty Limitation

This warranty is for the original purchase order only. (Order number required). This warranty is non-transferable. Domi outdoor living is responsible for the free replacement part including shipping charges for the 1 year warranty.

Warranty Exclusion

This warranty does not cover products subject to negligence, abuse usage, inappropriate installation. Domi outdoor living reserves the right to explain warranty exclusions. When the replacement item is applied, the 1 year warranty automatically expires. Please feel free to contact us for applying warranty.



RESORT COMFORT IN YOUR
OWN BACKYARD

Support:



Email: service@domioutdoorliving.com

Please tell us your order ID when contact.

Attach photos of damaged part for instant reply.