

1. Thank you for choosing *our products*.

2. Return Policy








DO NOT RETURN TO THE STORE! Skip the process of returning your product and contact us directly for a replacement

If you find that parts of your order are missing or damaged, we will gladly ship any needed replacement parts free of charge.

If your product's quality does not meet your expectations or you have found any sort of defect, please contact our customer service department and let us know the details of your order and any issues encountered, we will try our best to provide you with a solution. Feel free to also directly contact our manufacturer concerning needed replacement parts and they will be happy to help provide you with a solution or answer any questions you may have.

Recommendations Before Beginning Assembly

-  • Read instructions, cover to cover
-  • Have 2-4 adults on hand for assembly depending on product size
-  • Do not assemble directly on flooring or carpet
-  • Assemble on a clean non-marring surface (example: packing foam)
-  • Save all packaging until finished











3. Assembly Notice:

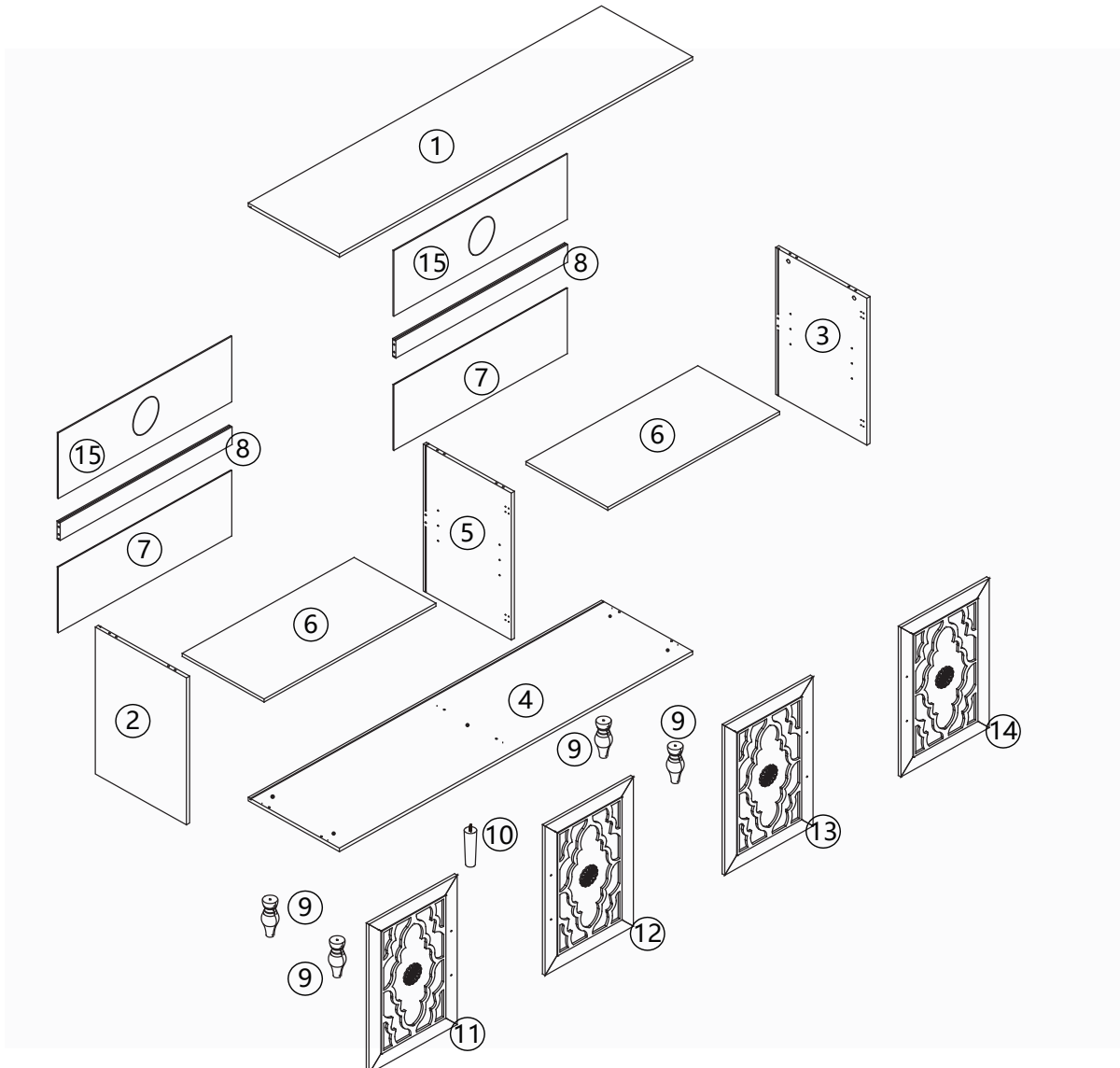
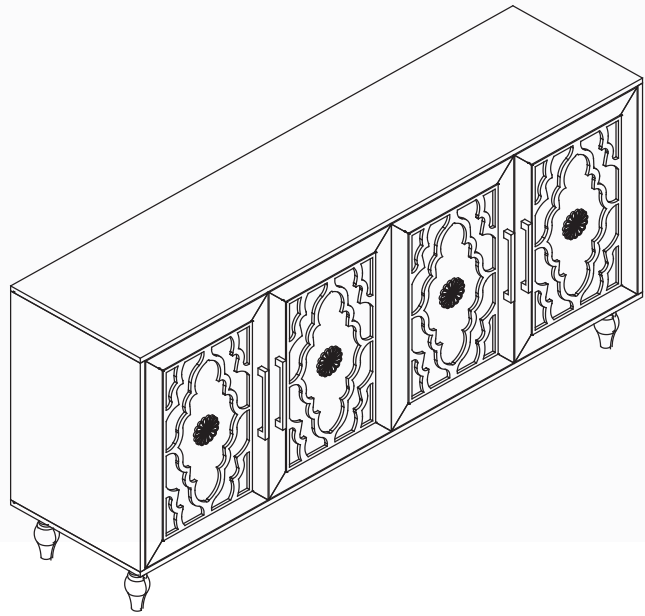
- If you encounter any problems during assembly and find that you cannot continue, rest assured we will help you solve the situation as soon as possible. Simply keep all of the parts of the product stored in a safe place and contact us immediately so we may assist you further.
- Once you have opened your package, remove all inner hardware packages and take the parts out. One by one, Place the parts out neatly in front of you, then refer to the instructions to ensure no parts are missing. If any pieces are found missing, please carefully look in the box first, as the hardware packaging might have torn making the

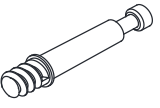
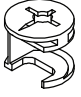
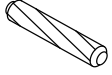
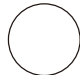
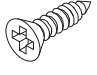
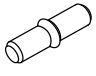
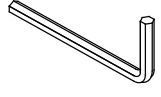
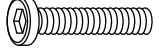


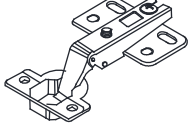
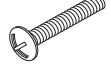

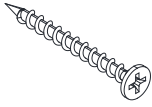
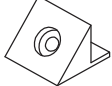
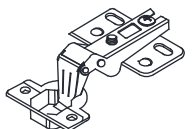

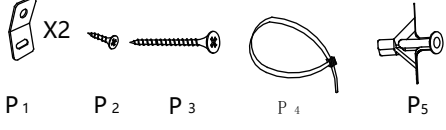
hardware spill in the box.

- Some key parts of your product may be stored and hidden inside of other parts. Please open any zippered or hook & loop storage compartments to remove all parts. (example: cushions and legs being stored in the underside of a sofa)
- **IMPORTANT:** When setting up your product, **DO NOT INSTALL THE SCREWS ALL THE WAY IN THE BEGINNING.** Place each screw into their proper hole and use your hand to twist the screw halfway. Twist all the screws in halfway to ensure the holes will match up properly and the product is level on the ground. When everything seems fitted, then tighten the screws.
- When you have completed assembly, we suggest you have more than one person to assist you with lifting and placing the product.

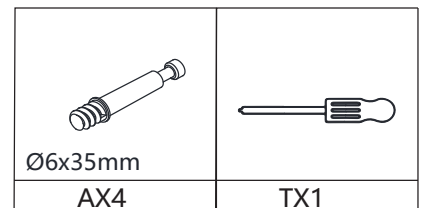
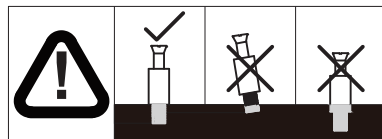
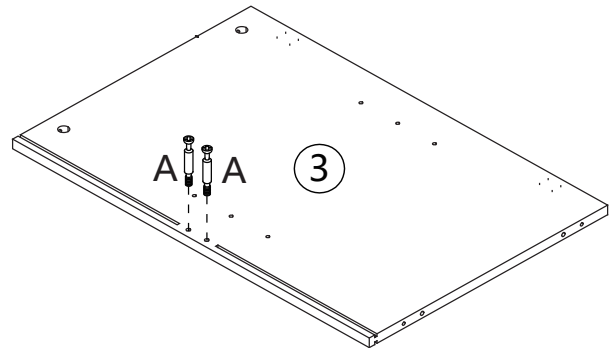
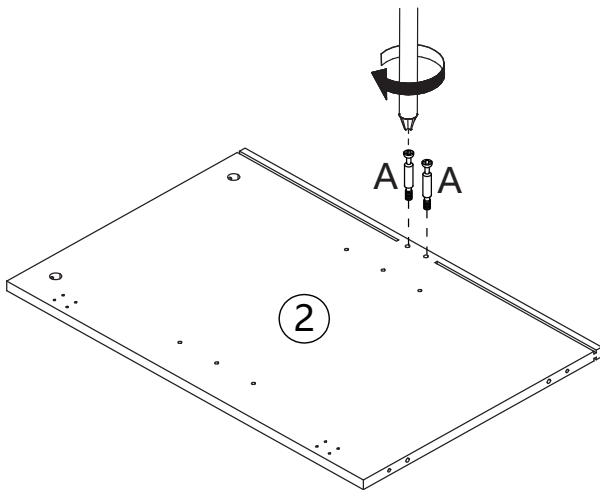
Care & Maintenance

-  Do not put hot items directly on furniture surface
-  Do not clean furniture with harsh cleansers or polish
-  Do not place furniture under direct sunlight
-  Do not place furniture near heating or cooling vents
-  Do not write on furniture without a padded barrier to protect the surface
-  Do not place furniture outside. For indoor use only
-  Not for commercial use. For residential use only
-  Stains may be removed with mild soap solution and damp cloth
-  Children should not climb or jump on the furniture
-  Dust and pick-up spills using a clean, non-colored, lint-free cloth

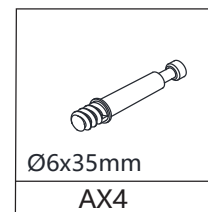
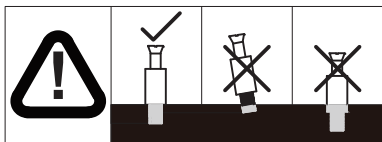
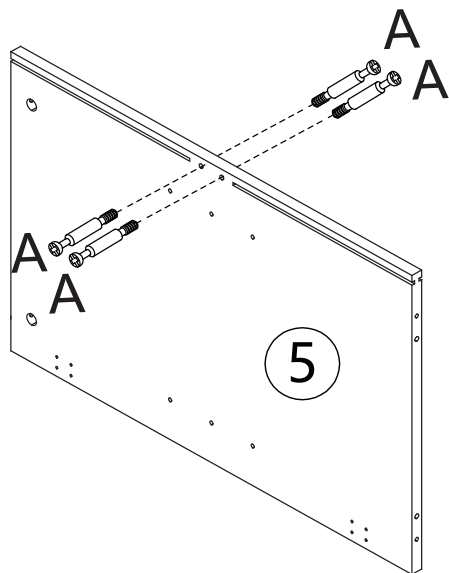


 Ø6x35mm AX14	 Ø15x10mm BX14	 Ø6x30mm CX12	 DX4	 Ø4x14mm EX48	
 FX8	 GX1	 Ø8x30mm HX4	 Ø3x14mm IX12	 TX1	
 KX4	 Ø4x22mm LX8	 MX4	 Ø4x40mm NX6	 OX8	 SX4
 QX2	 P1 P2 P3 P4 P5				
PX2					

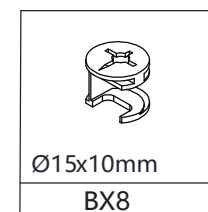
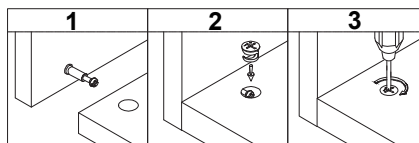
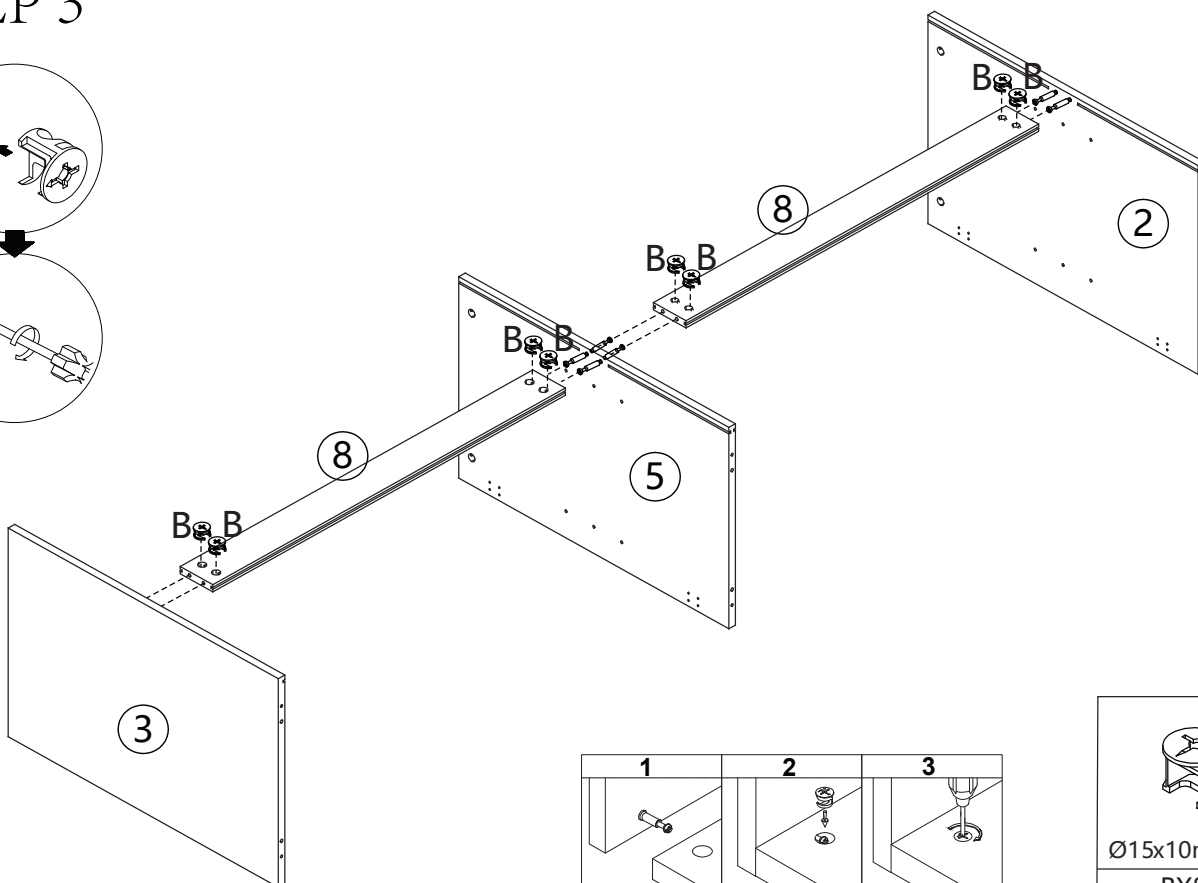
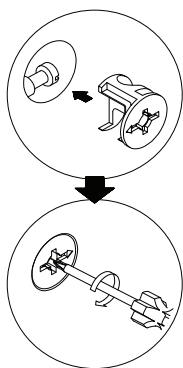
STEP 1



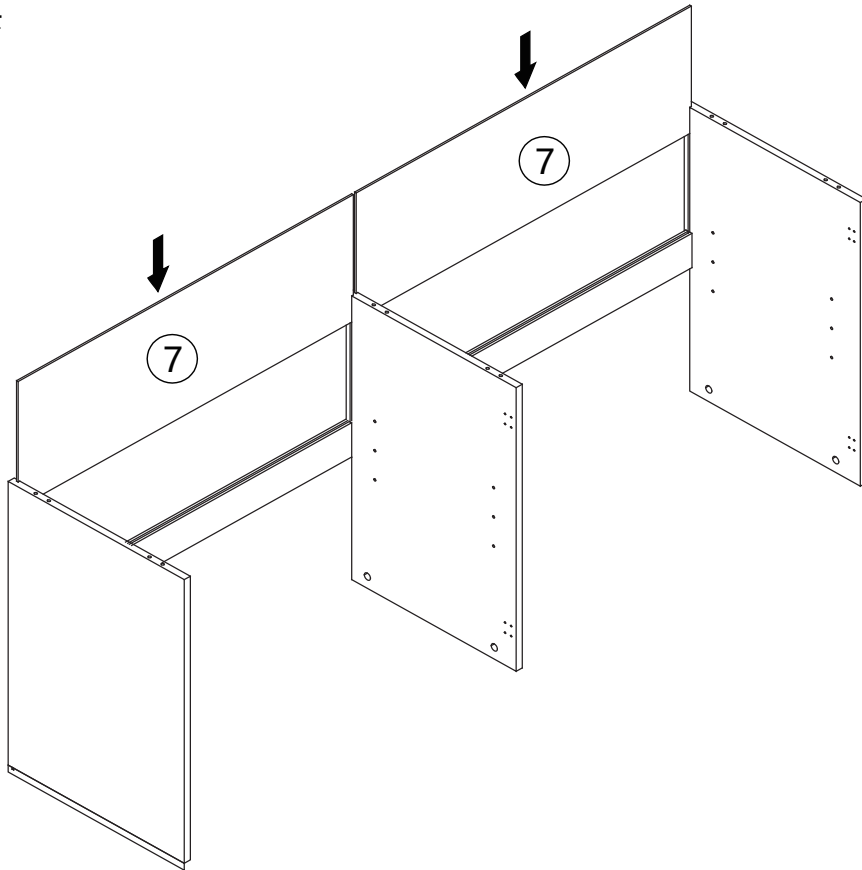
STEP 2



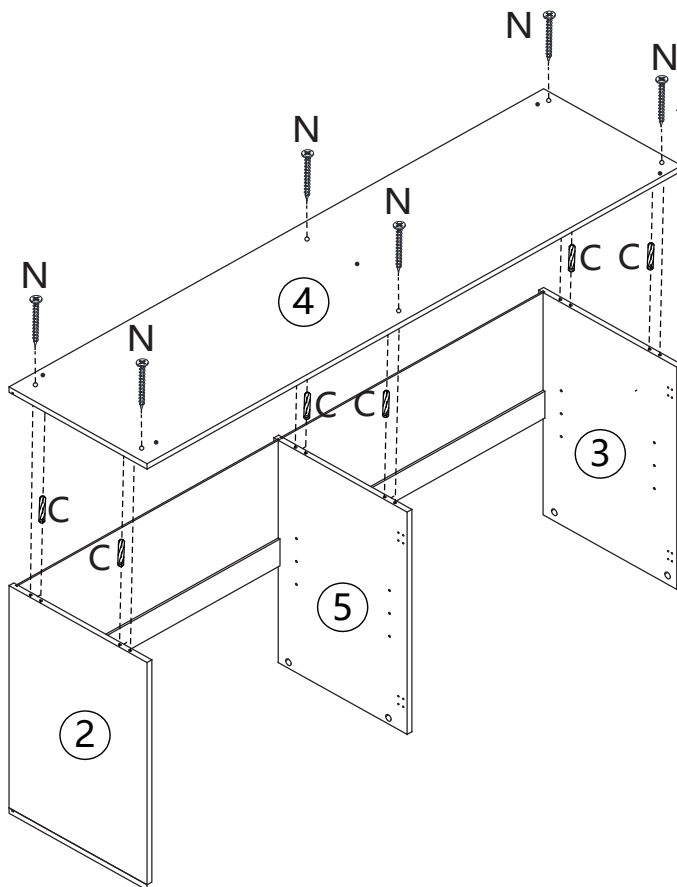
STEP 3


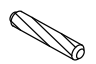


STEP 4

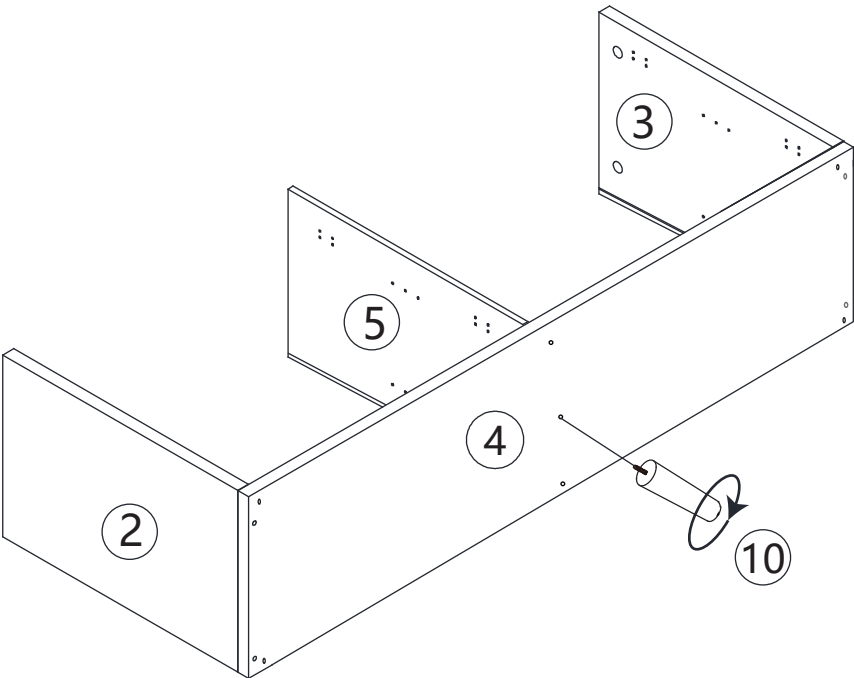


STEP 5

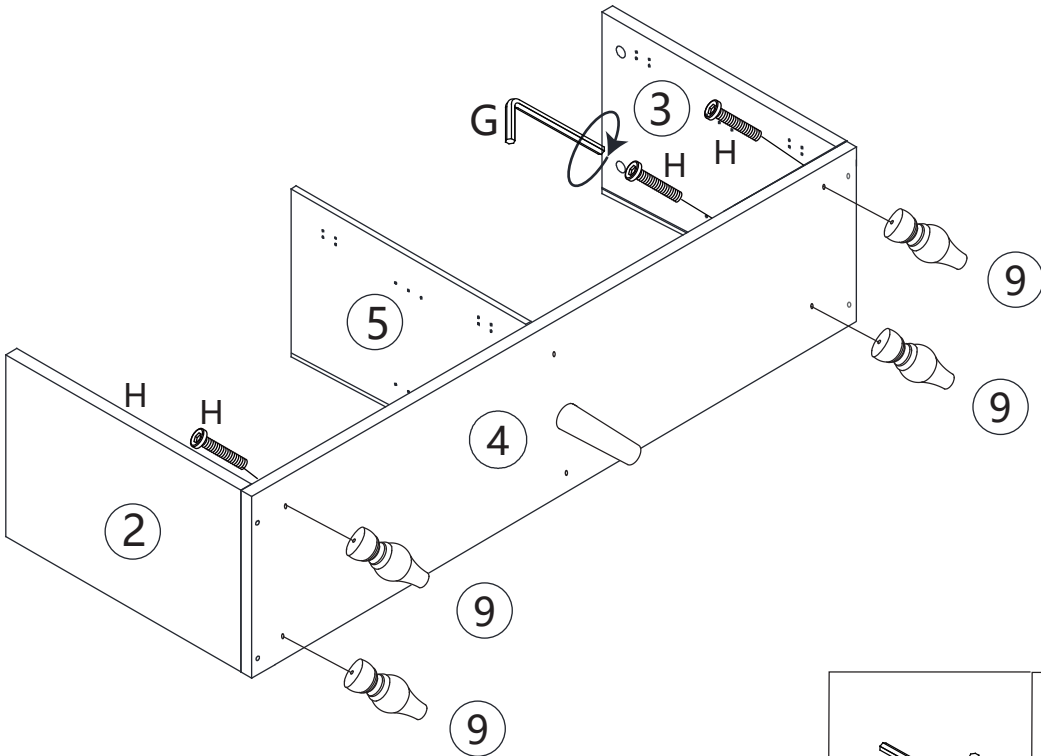



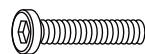
	
Ø4x40mm	Ø6x30mm
NX6	CX6

STEP 6

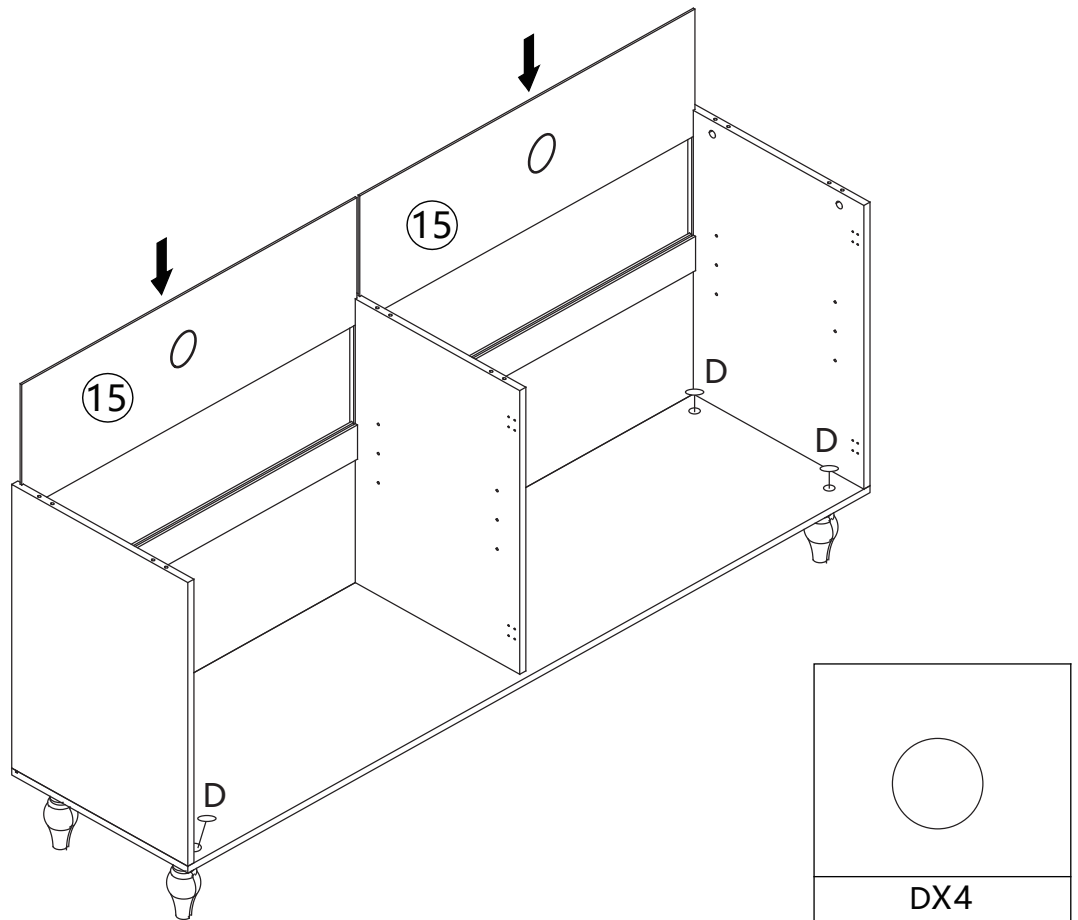


STEP 7

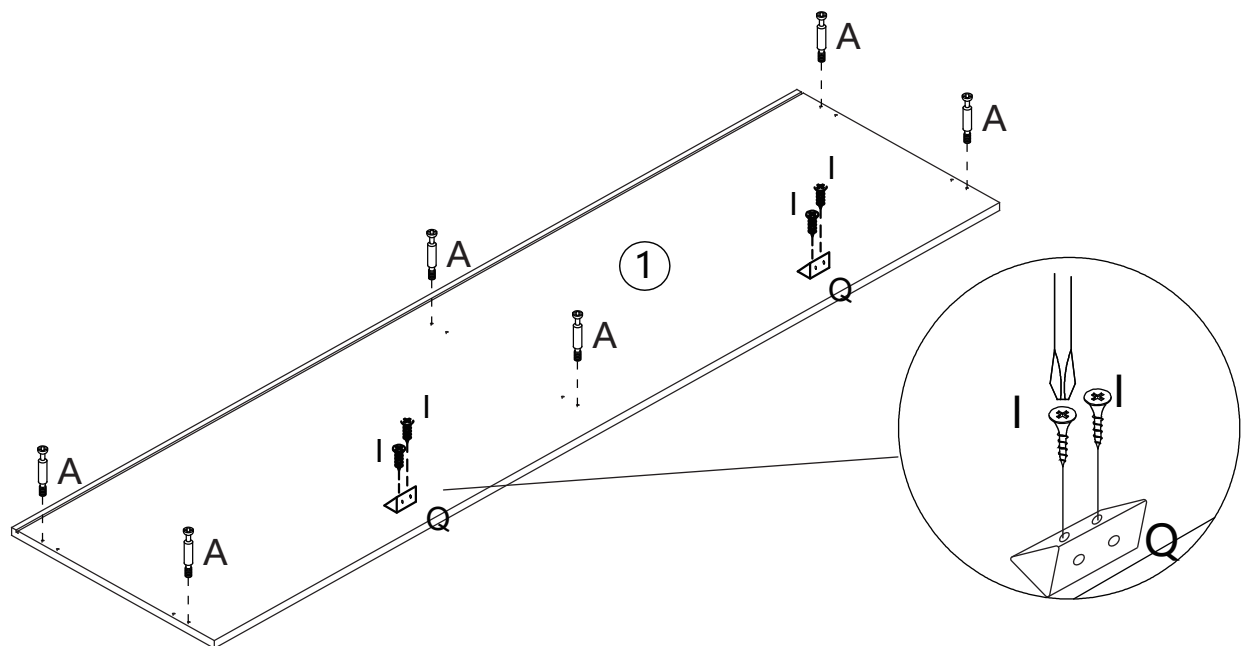




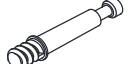
	
GX1	HX4

STEP 8

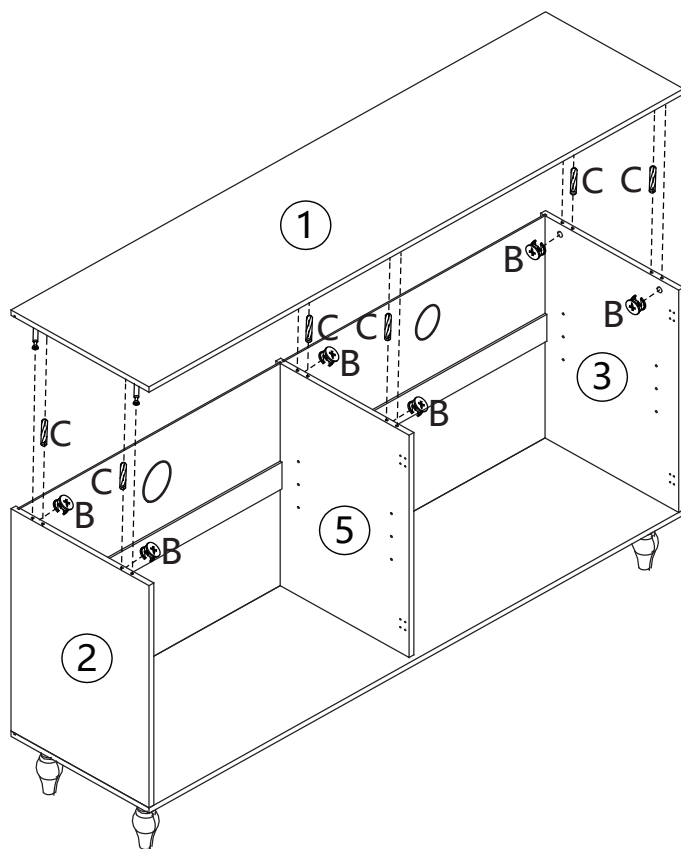



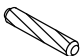
STEP 9



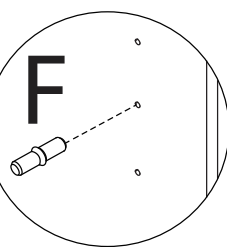
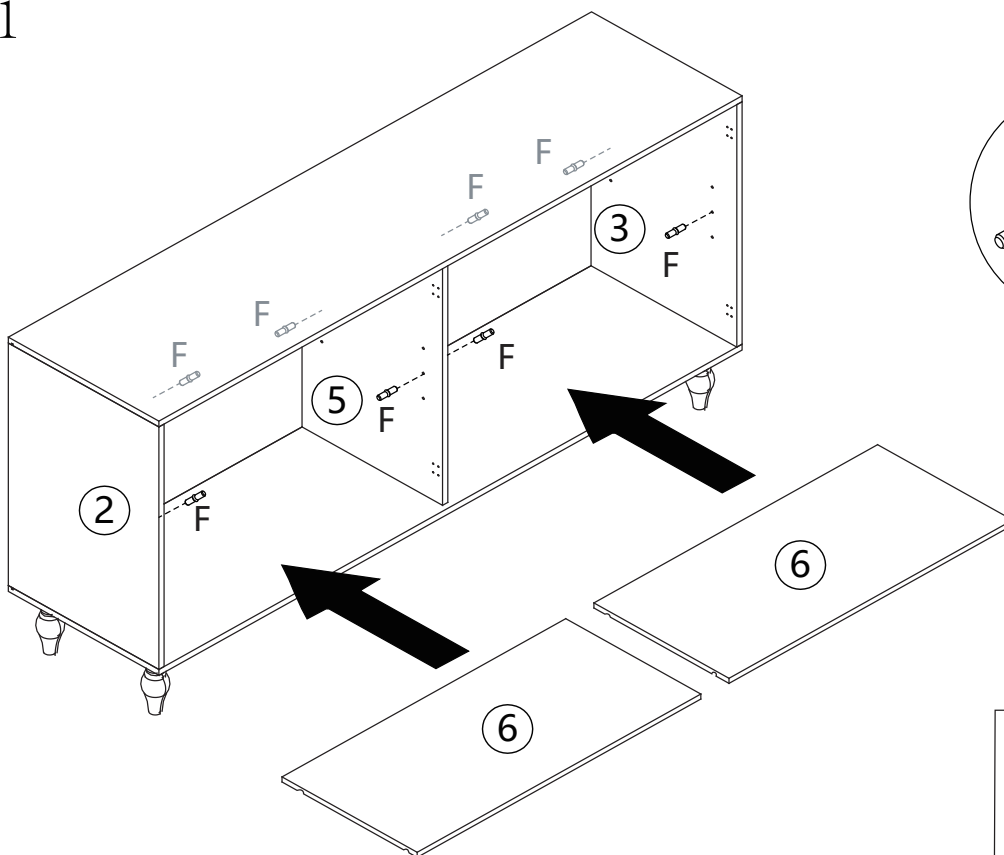
		
Ø3x14mm IX4	QX2	Ø6x35mm AX6


STEP 10



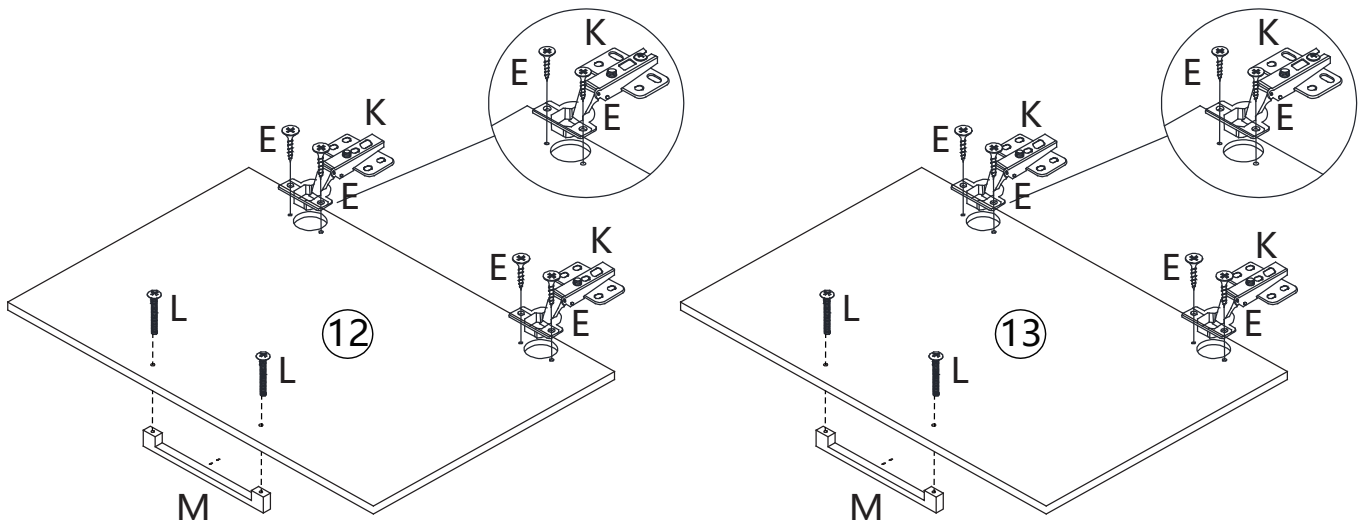
	
Ø15x10mm BX6	Ø6x30mm CX6

STEP 11




FX8

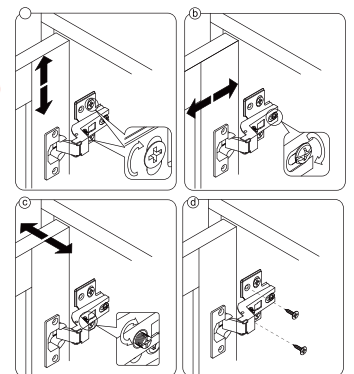
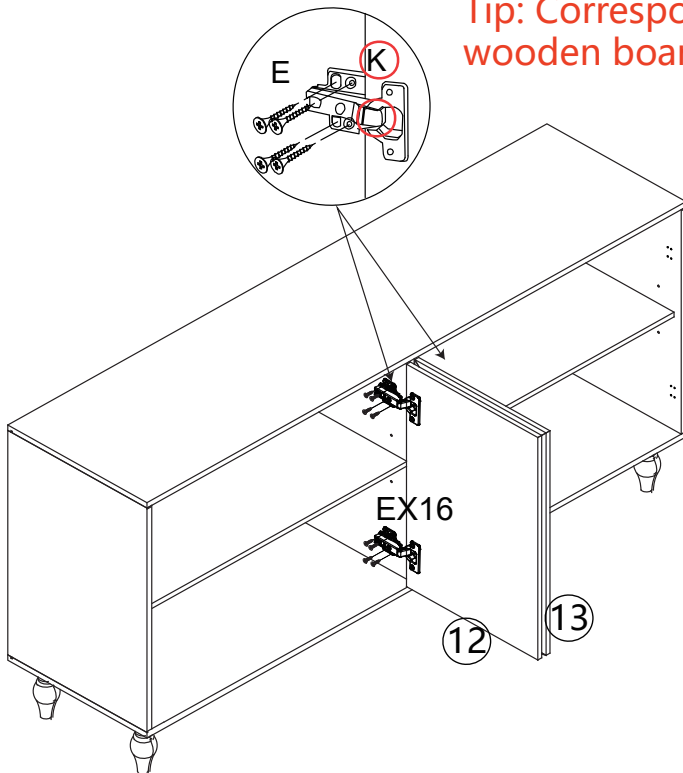
STEP 12



KX4	Ø4x14mm	Ø4x22mm	MX2

STEP 13

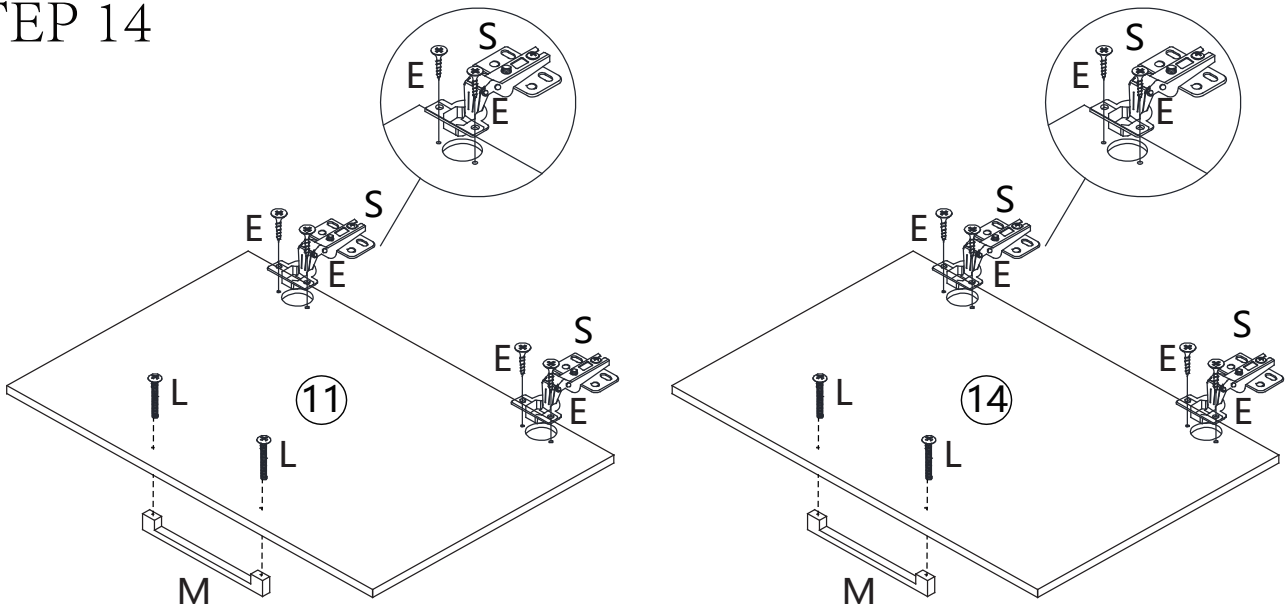
Tip: Corresponding hinge letters to wooden board letters



NOTE: If the doors are uneven or there is a gap in the middle, loosen or tighten the screw on the door hinge until they are sitting flush.

Ø4x14mm
EX16

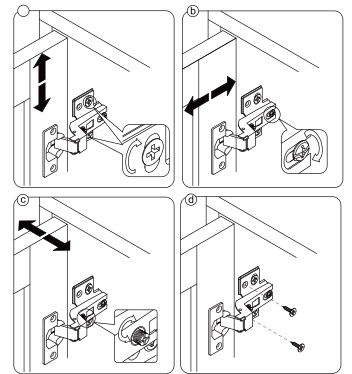
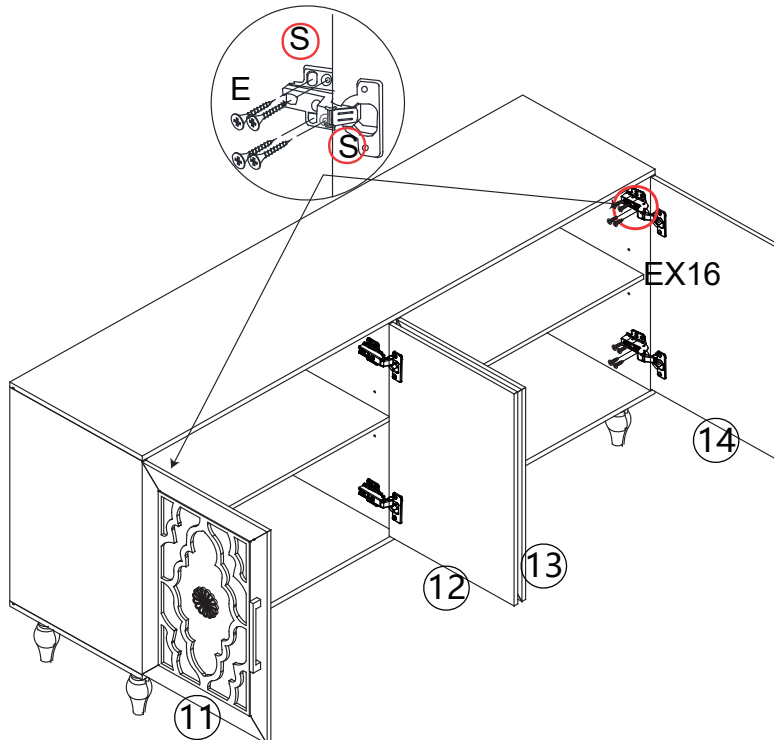
STEP 14



SX4	Ø4x14mm EX8	Ø4x22mm LX4	MX2

STEP 15

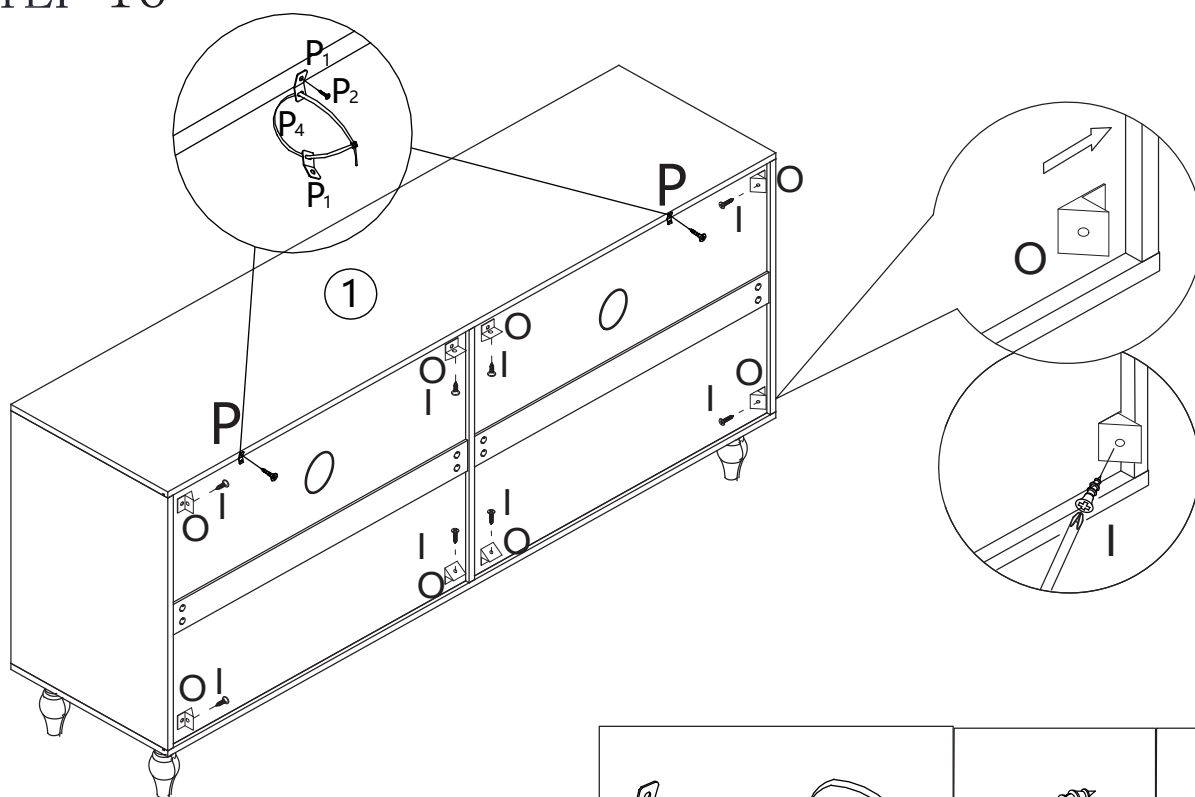
Tip: Corresponding hinge letters to wooden board letters



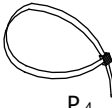




NOTE: If the doors are uneven or there is a gap in the middle, loosen or tighten the screw on the door hinge until they are sitting flush.

Ø4x14mm E X 16

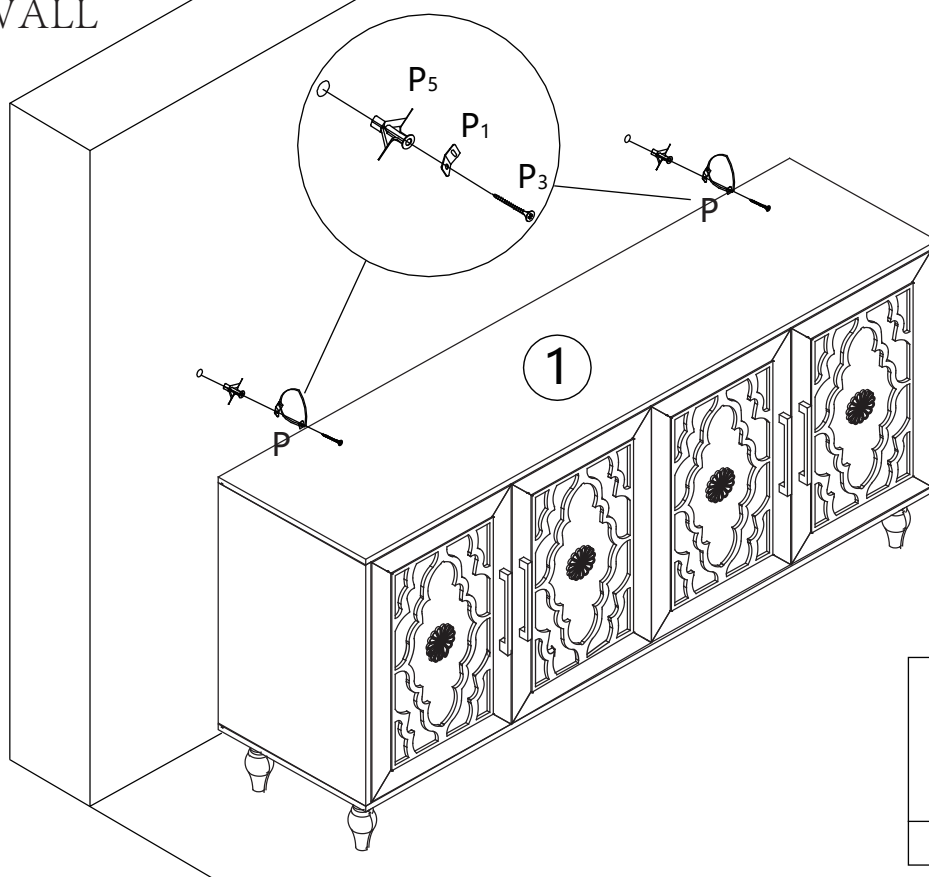
STEP 16

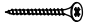



 x2				
P1	P2	P4	Ø3x14mm	
Px2			Ix8	Ox8

STEP 17

WALL



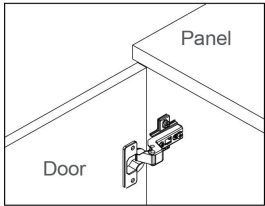
	
P3	P5
P X1	

Assembly Steps(EN) / Montageschritte(DE)

HOW TO ADJUST THE HINGES TO ALIGN THE DOORS IF NEEDED.

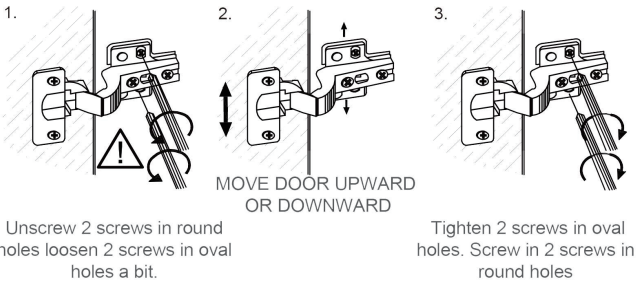
STEP 1

Open the door.



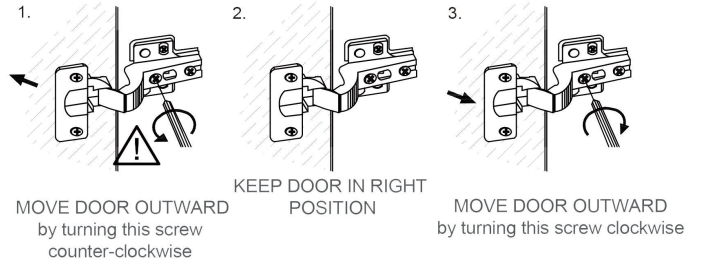
STEP 2

Adjust the door panel upward or downward



STEP 3

Adjust the flush between door panel and side panel



STEP 4

Adjust the Gap between door panel and side panel

