
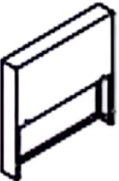

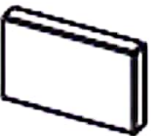
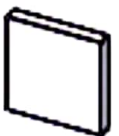




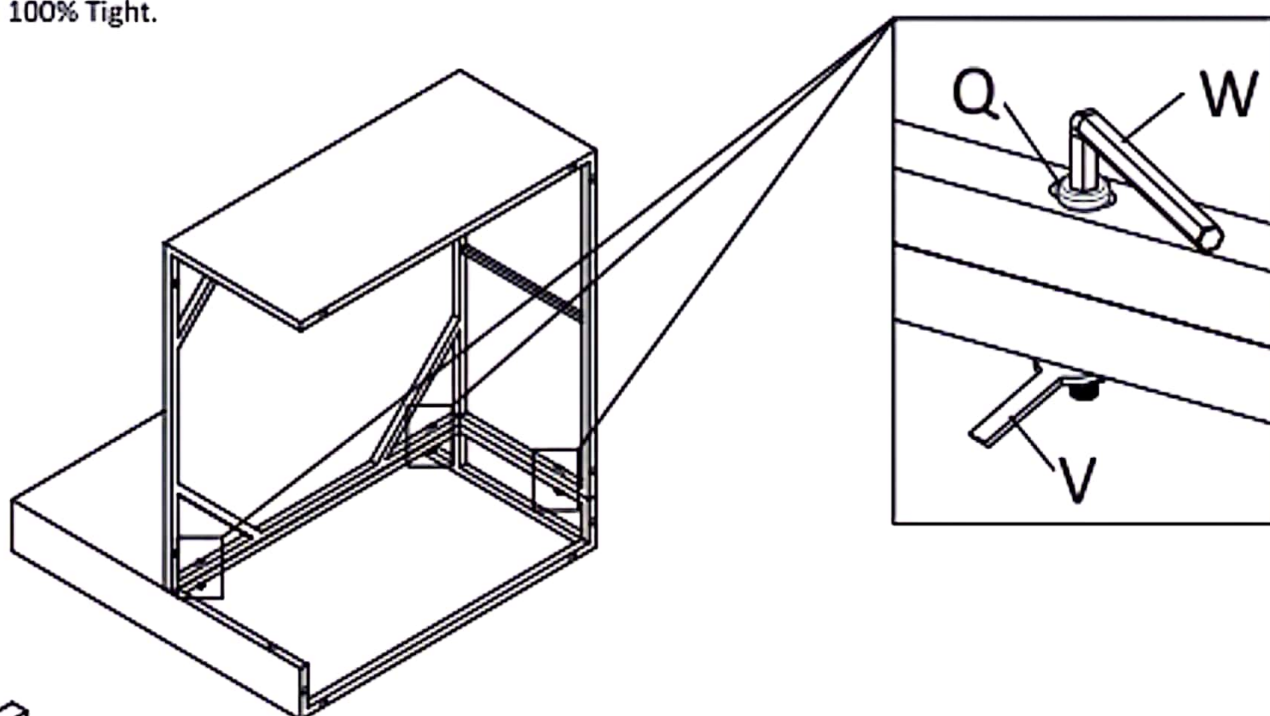
Packing List of Box B

Box	Img	Part Name	Label No.	Qty
Box B		Middle Sofa Seat Part	A	2
		Middle Sofa Back Part	B	2
		Middle Sofa Side Part	C	2
		Long Back Cushion With Cover	LBCC	2
		Seat Cushion With Cover	SCC	2
		High L-Shaped Feet	O	8
		U-Shaped Connector	U	4
	-	Instructions	-	1
	-	Screw Set	SSA	1

Middle Sofa



Tips: Do not 100% Tight.



B x 1



A x 1



M6x50(Q) x 3

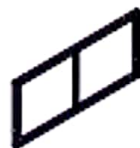
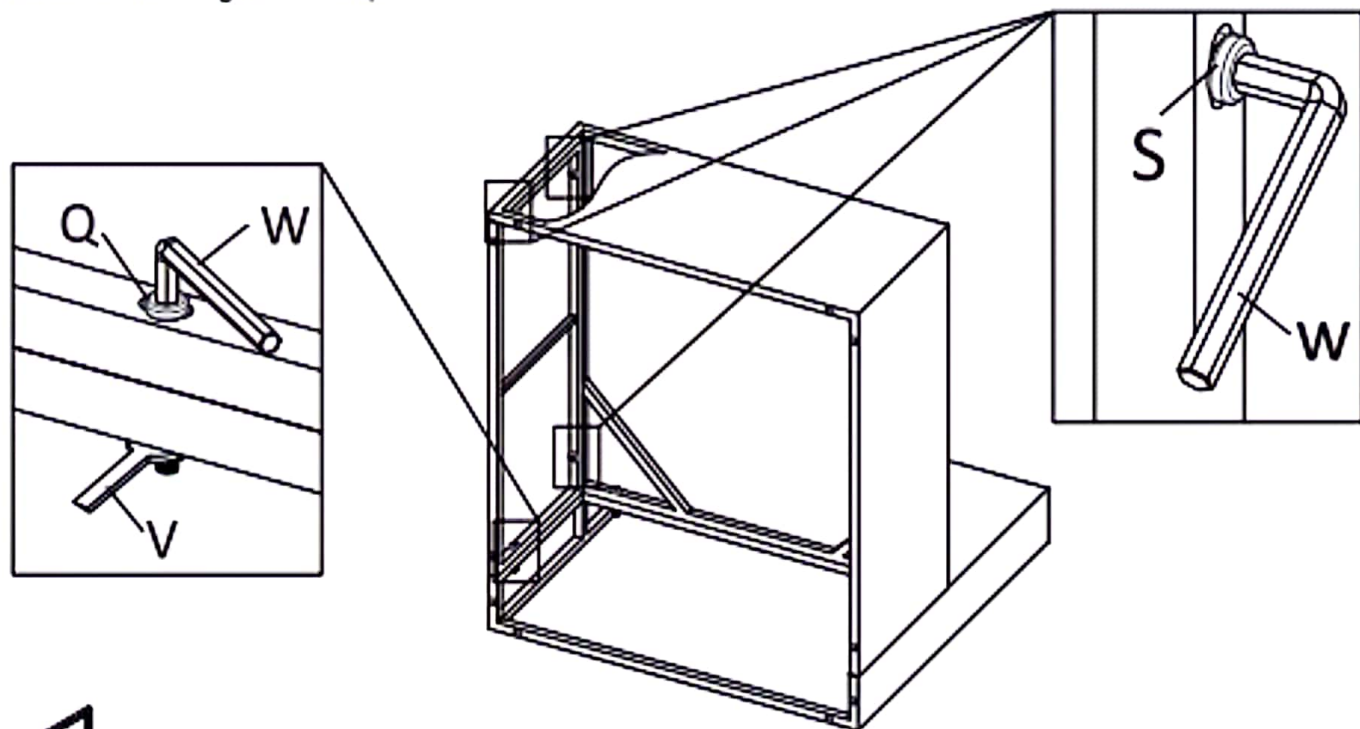


Wrench(V) x 1



Spanner(W) x 1

Tips: Screws 100% Tight This Step



C x 1



M6x50(Q) x 1



M6x30(S) x 3



Wrench(V) x 1

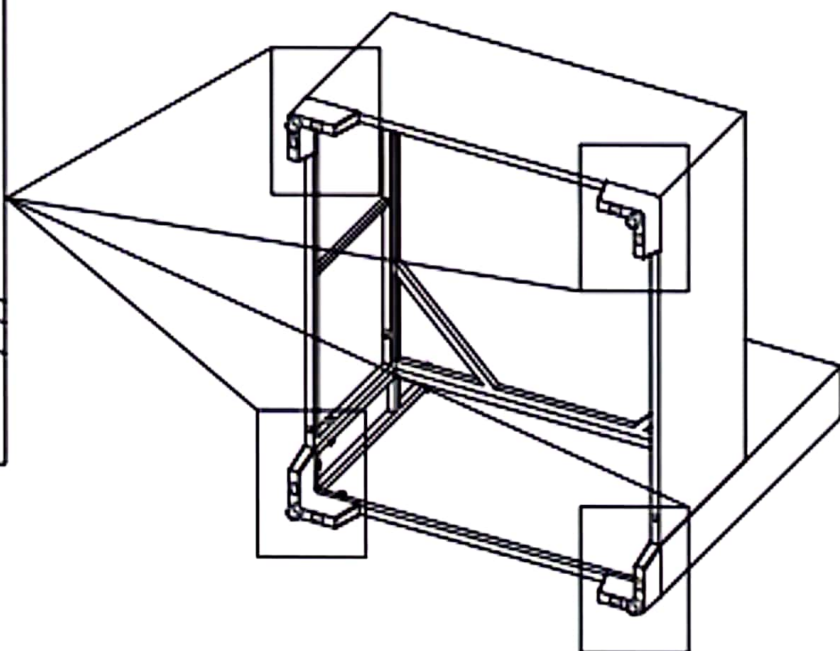
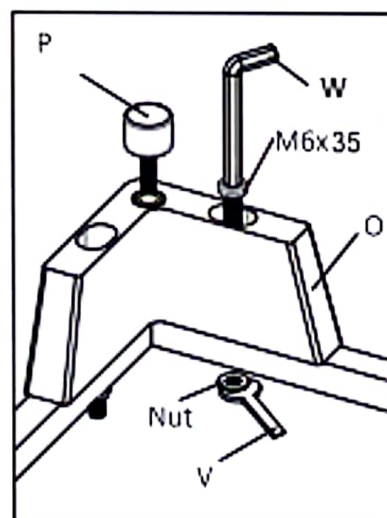


Spanner(W) x 1

Middle Sofa



Do not use machine Two Persons together Need 25mins roughly



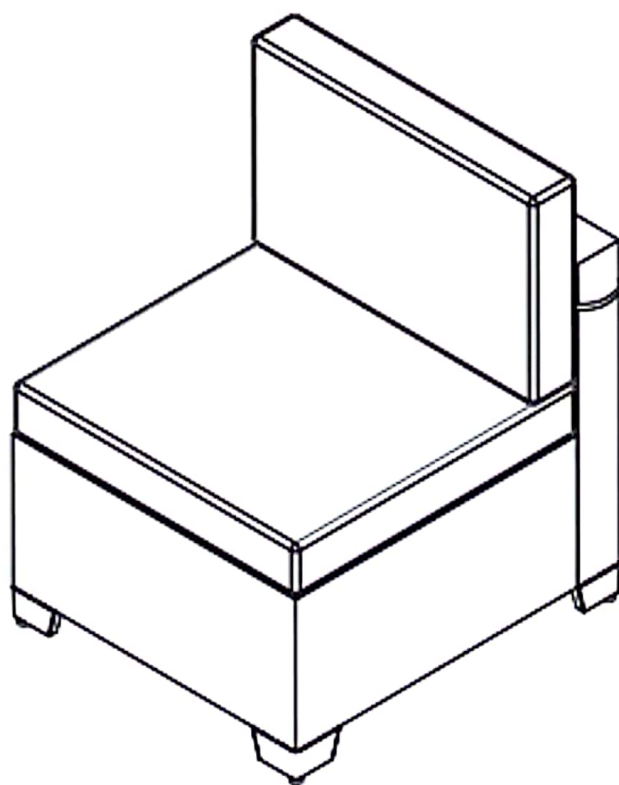
High L-Shaped Feet x 4

Screw Feet(P) x 4

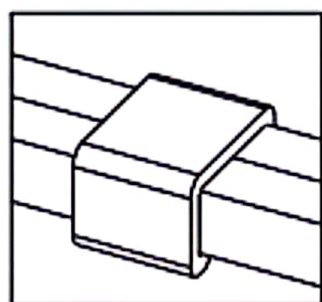
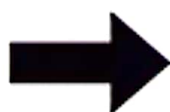
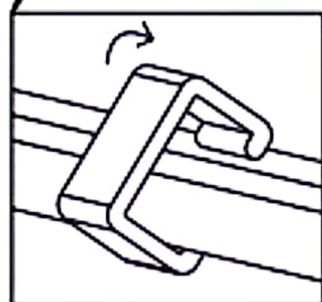
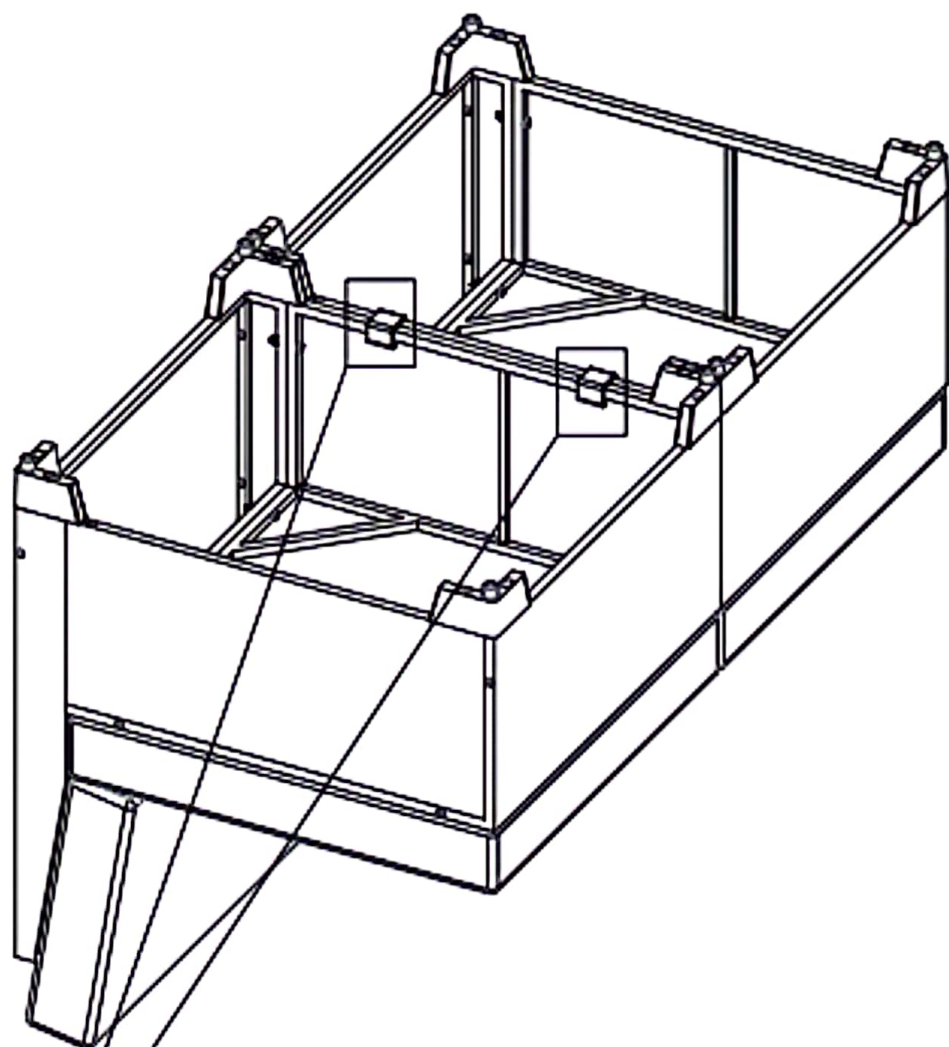
M6x35 x 8

Wrench(V) x 1

Spanner(W) x 1



U-Shaped Connector



Notice:
Do not use tools such as hammers;
You can scald it with hot water to soften it.

Velcro installation



Do not use machine



Two Persons together



Need 20min roughly

Step 1: Tuck the prickly tie out of the seam at the bottom of the sofa. Pull out the prickly tie from the surface of the sofa to spread out and adjust to the right position.

