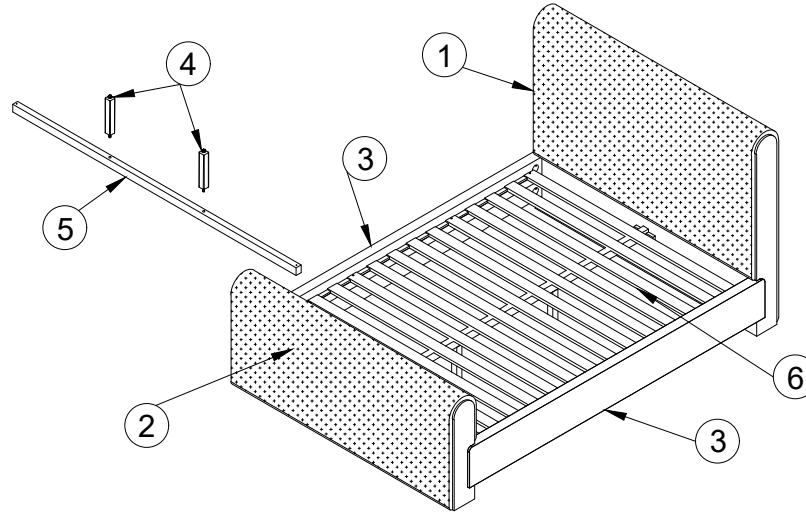
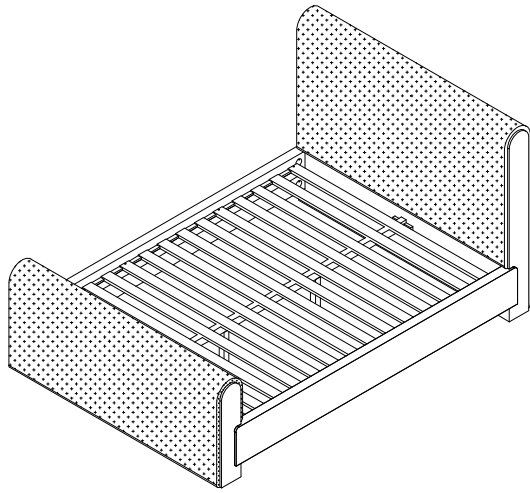







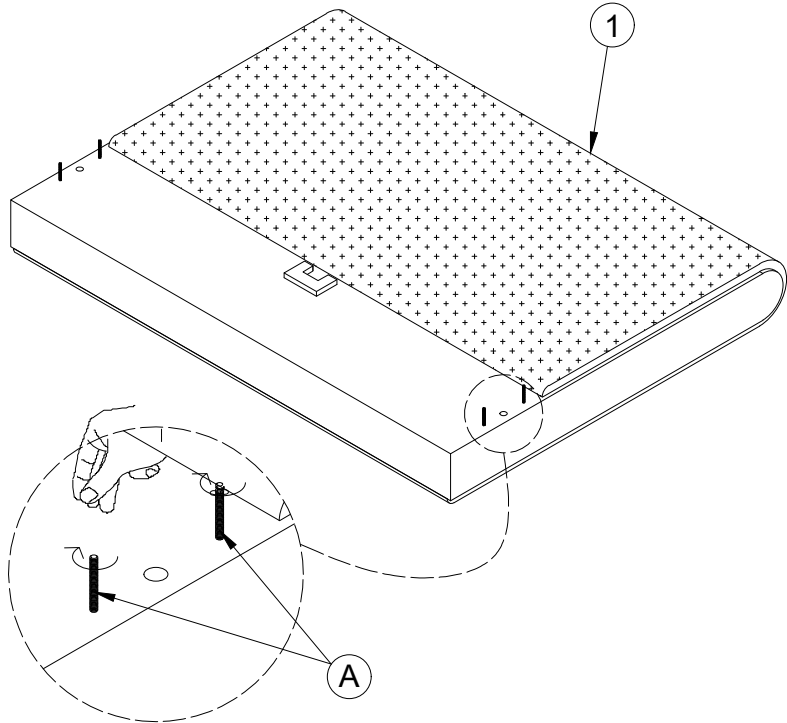


# ASSEMBLY INSTRUCTION SLOANE QUEEN BED

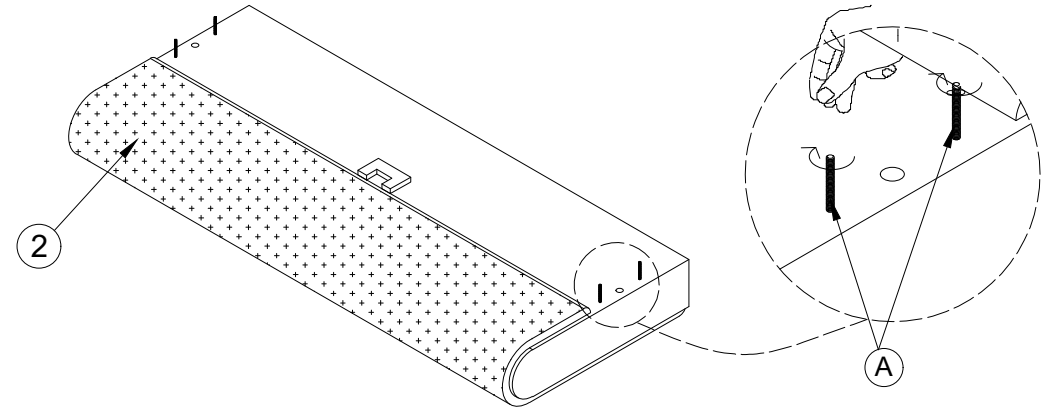


Name of Hardware			
<b>A</b>		Stud Bolts M8 x 80	8
<b>B</b>		Nuts M8	8
<b>C</b>		Lock Washer M8	8
<b>D</b>		Curved Washers	8
<b>E</b>		Long Screw M4x60	2
<b>F</b>		Short Screw M4x30	8
<b>G</b>		Wrench K13	1

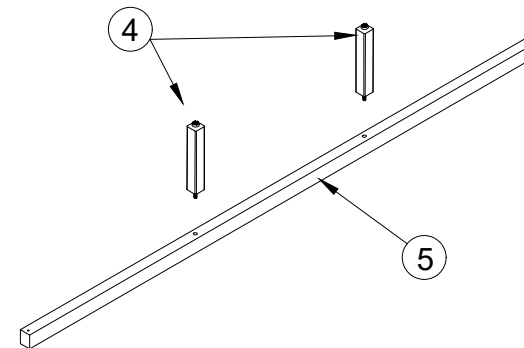
## Step: 1



## Step: 2

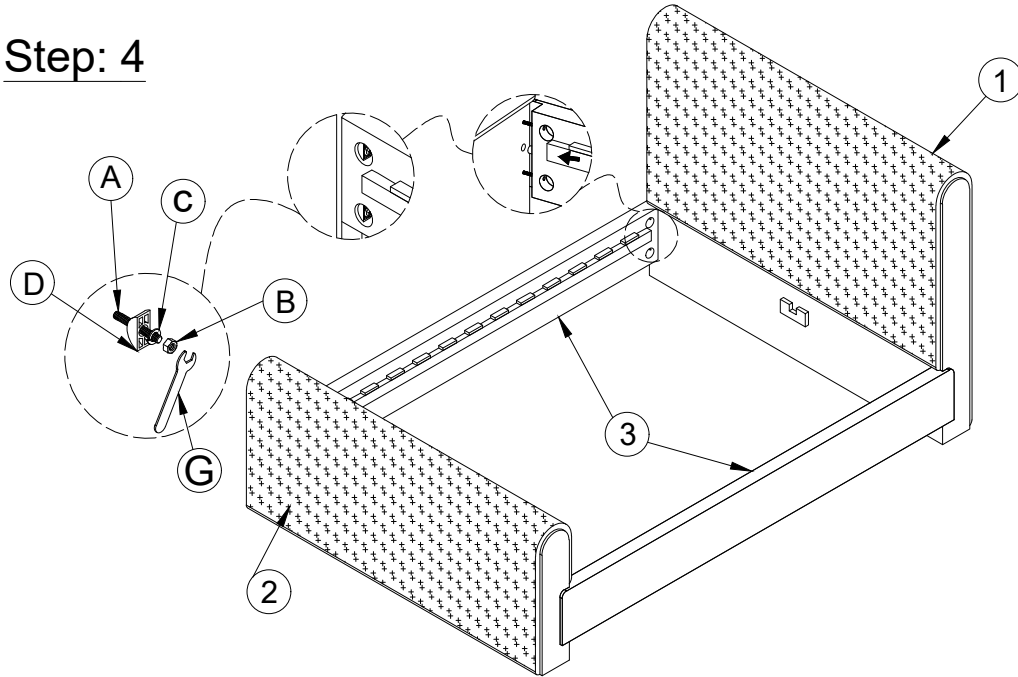


## Step: 3

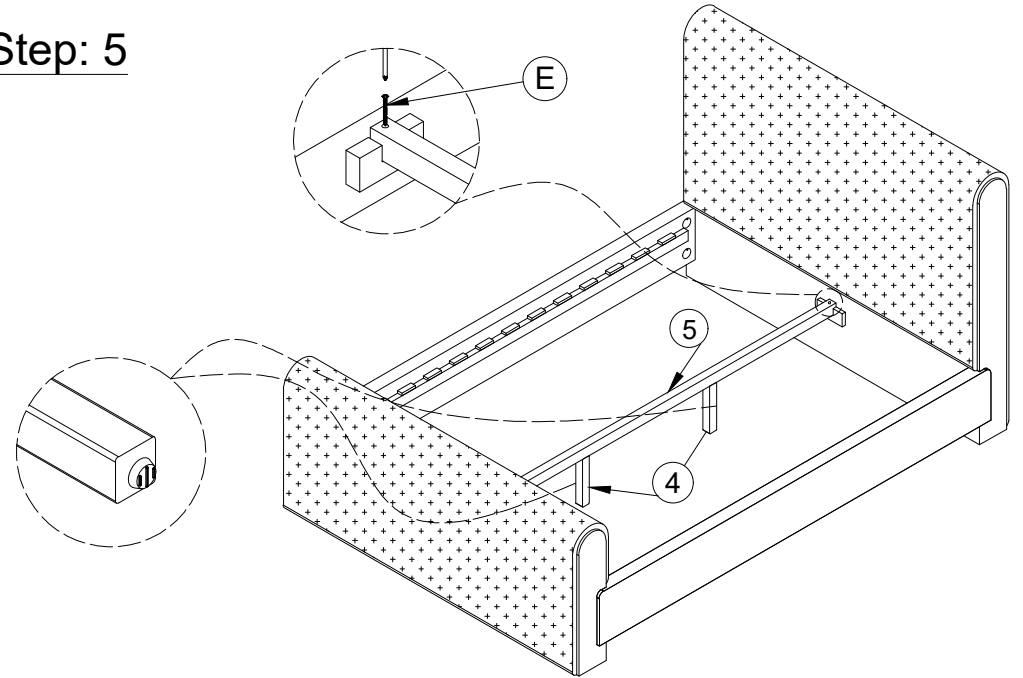


# ASSEMBLY INSTRUCTION SLOANE QUEEN BED

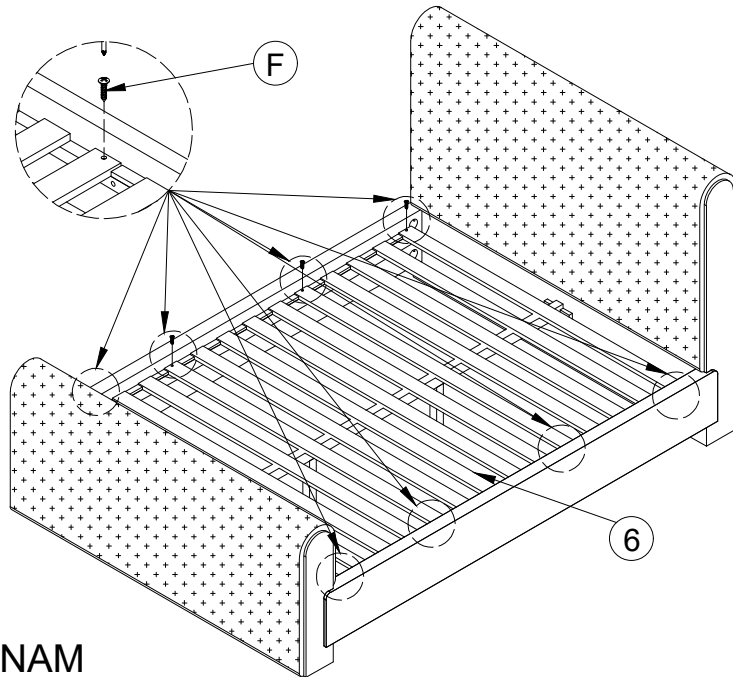
Step: 4



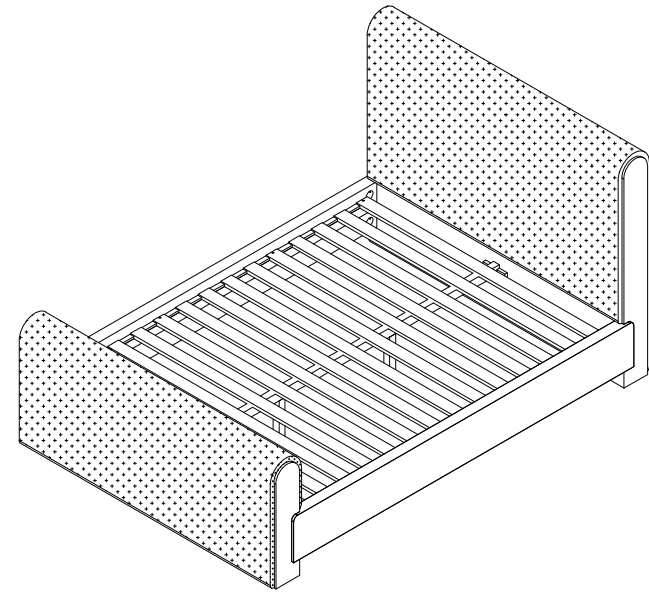
Step: 5



Step: 6



Step: 7



MADE IN VIETNAM

FINISH