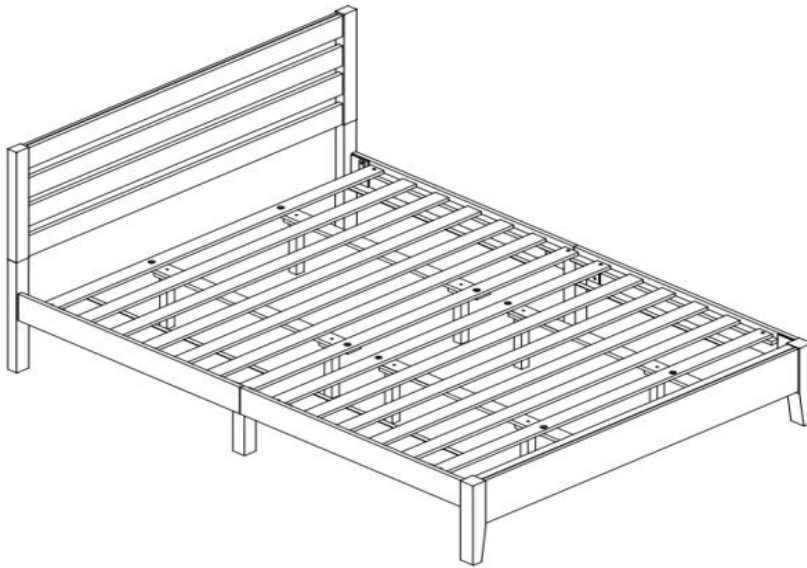


# Assembly Instructions

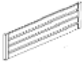









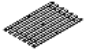

**Caution : You must read this Assembly Instructions before you proceed**

## Bed












Please look in the carton corner for hardware packs



## Parts List

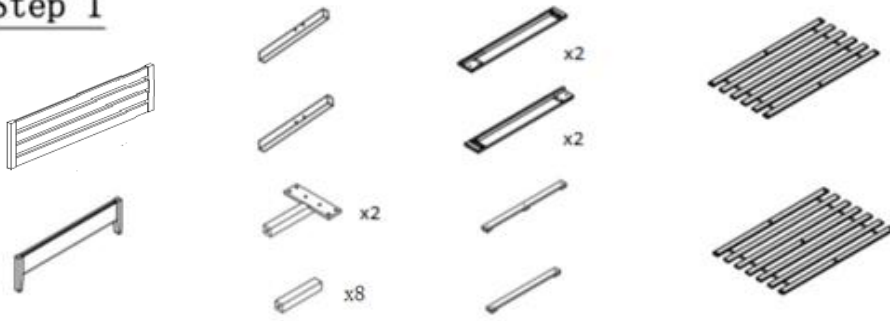
Label	Picture	Description	QTY
A		Headboard	1
B		Right Leg	1
C		Left Leg	1
D		Footboard	1
E		First Side Rail	2
F		Second Side Rail	2
G		Long Support Bar	2
H		Short Support Bar	2
I		First Support Leg	2
J		First Slat Frame	1
K		Second Slat Frame	1
L		Second Support Leg	8

# Hardware

Label	Picture	Description	QTY
①		Washer Ø 8.5 x Ø19 x 2mm	41
②		Spring Washer Ø 8.5 x Ø11 x 2mm	25
③		Bolt M6 x 20mm	13
④		Bolt M6 x 32mm	21
⑤		Allen Wrench	2
⑥		Lock Nut	9
⑦		Bolt M8 x 80mm	9
⑧		Spanner	1
⑨		Metal Connector	2
⑩		Screw M4 x 25mm	9
⑪		Screwdriver (not provided)	1

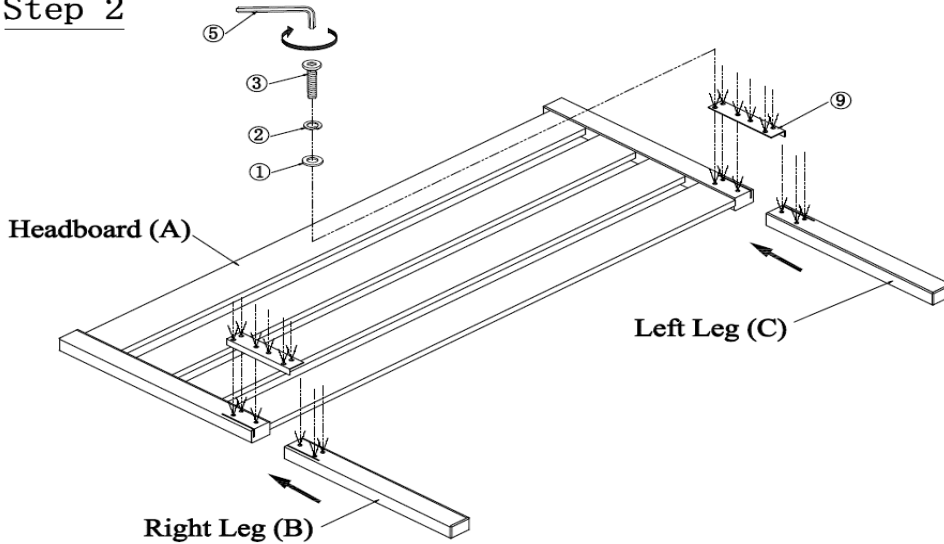


## Step 1



Unpack and place all parts on a clean, non-marring surface.

## Step 2

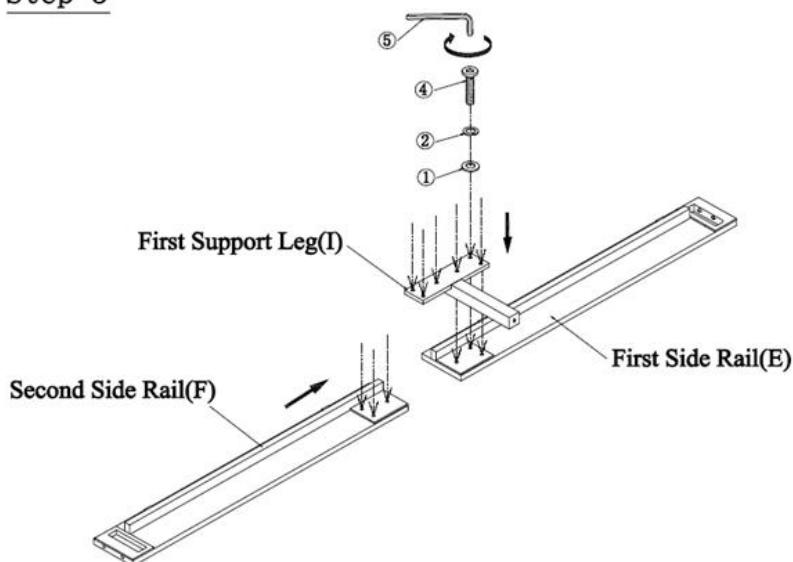


With assistance from your adult partners, carefully place the Headboard(A) facedown on a clean, non-marring surface as shown above.

Attach the Right Leg (B) and the Left Leg (C) to the Headboard (A), then place the Metal Connectors (9) onto them as shown above, and secure them together using Bolts (3), Washers (1), Spring Washers (2), and the Allen Wrench (5).

**Fully tighten the Bolts.**

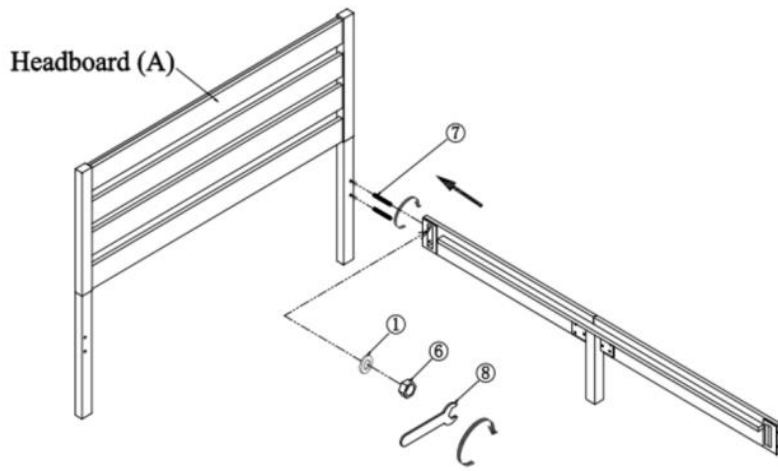
## Step 3



Connect the First Support Leg (I) to the First Side Rail (E), and the Second Side Rail (F), then secure it using Washers (1), Spring Washers (2), Bolts (4), and the Allen Wrench (5) as shown above. Repeat the same process with the remaining First Side Rail (E) and Second Side Rail (F).

**Fully tighten the Bolts.**

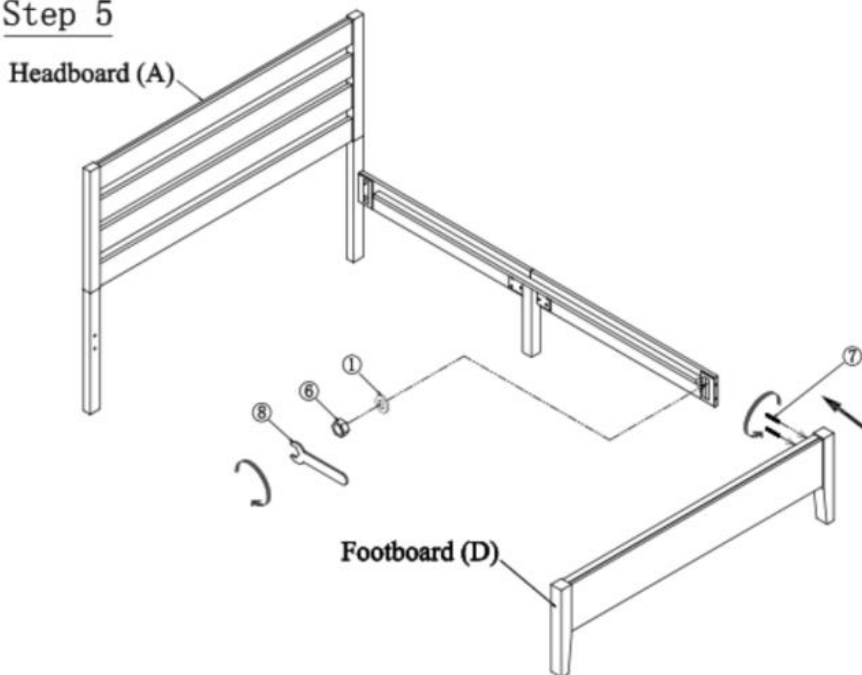
## Step 4



With the help of your adult partner, attach one of the frames from Step 3 to the Frame from Step 2, then secure them together using Bolts (7), Washers (1), Nuts (6) and the Spanner (8) as shown above.

**Do not fully tighten the Bolts.**

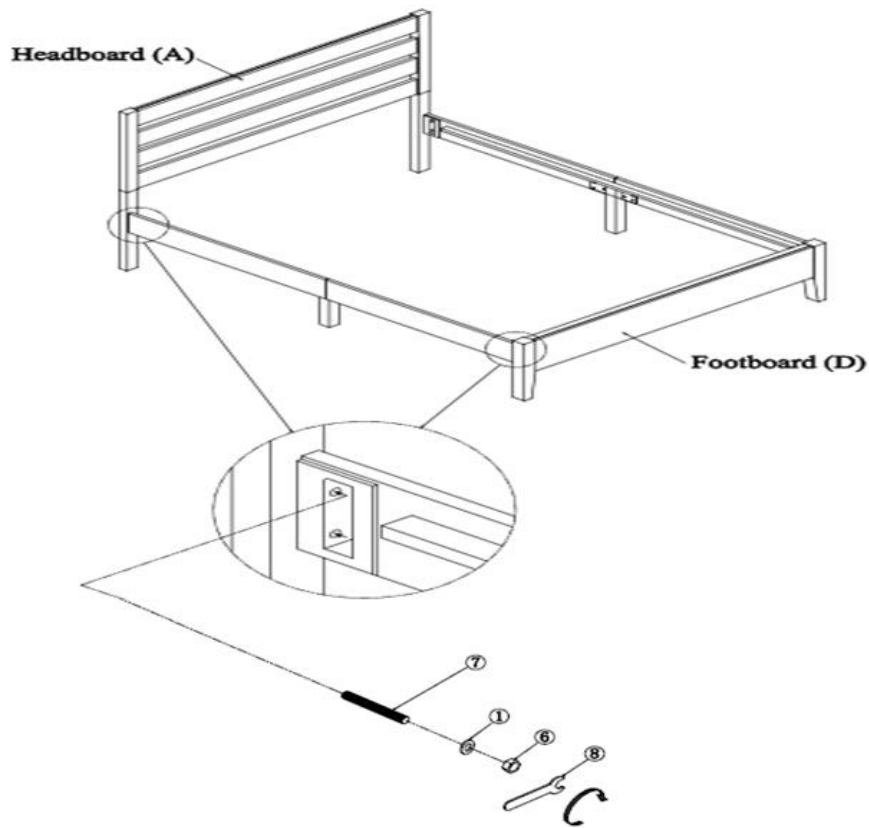
## Step 5



With the help of your adult partner, attach the Footboard (D) to the Frame from Step 4, and secure together using Bolts (7), Washers (1), Nuts (7) and the Spanner (8) as shown above.

**Do not Fully tighten the Bolts.**

## Step 6

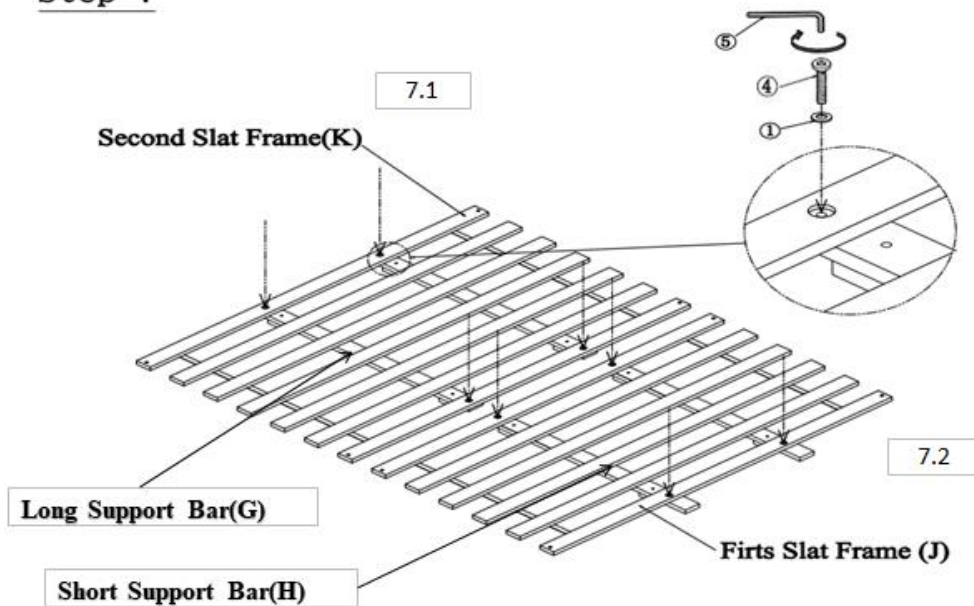


With the help of your adult partner, align the remaining Frame from Step 3 to the Frame from Step 5, and secure together using Bolts (7), Washers (1), Nuts (6) and the Spanner (8) as shown above.

### WARNING

**Tighten all the Nuts before you proceed to next step!**

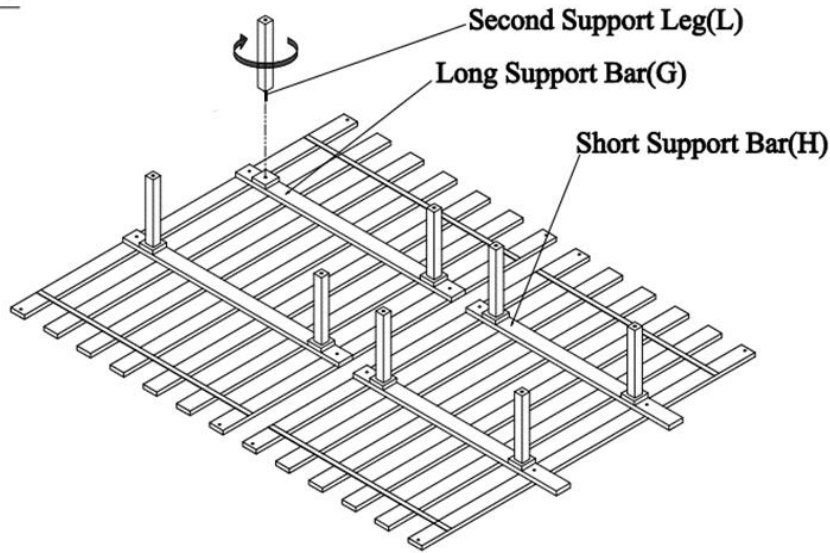
## Step 7



With the assistance from your adult partner,  
7.1) Place the Long Support Bars (G) under the Second Slat Frame (K), then secure them together using Washers (1), Bolts (4) and the Allen Wrench (5) as shown above.  
7.2) Place the Short Support Bars (H) under the First Slat Frame (J), then secure them together using Washers (1), Bolts (4) and the Allen Wrench (5) as shown above.

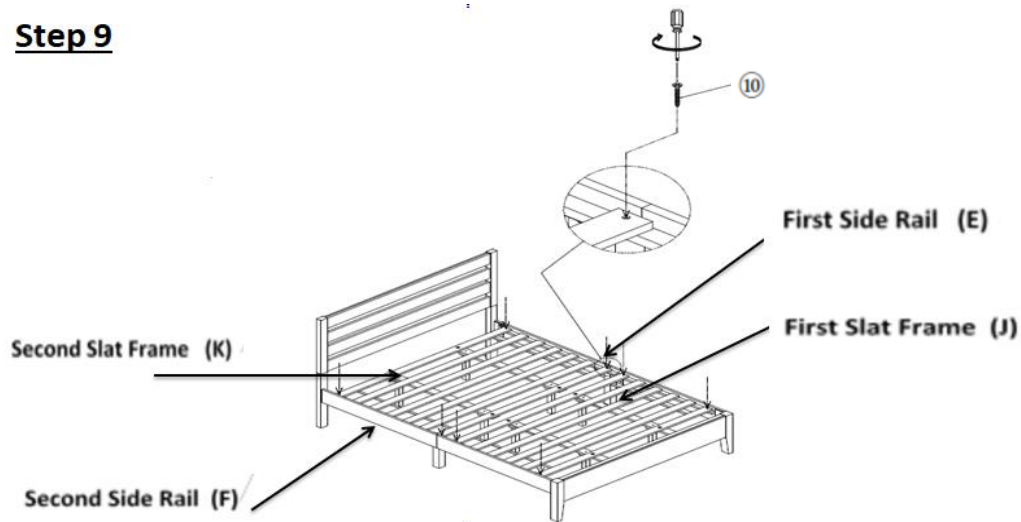
**Fully tighten the Bolts.**

## Step 8



With assistance from your adult partner, turn the Frame from Step 7 facedown. Place the Second Support Leg (L) into the hole on the Support Bars (G, H) then turn the Second Support Leg (L) in the direction of the arrow as shown in the above picture until the Second Support Leg is tightened. Repeat the same process with the remaining 7 Second Support Legs (L).

## Step 9



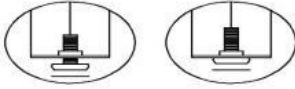
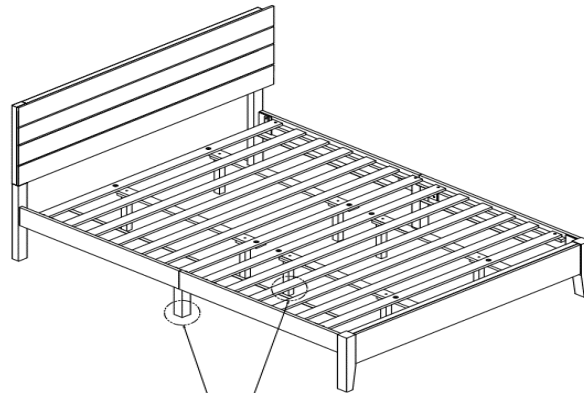
With assistance from your adult partner, turn the Frame from Step 8 right side up.

9.1) Place the Second Slat Frame (K) from Step 8 onto the Frame from Step 6, then secure the Second Slat Frame (K) to the First Side Rail (E) using a Screw (10) and a Screwdriver (11) as shown above.

9.2) Place the First Slat Frame (J) from Step 8 onto the Frame from Step 6, then secure the First Slat Frame (J) to the Second Side Rail (F) using a Screw (10) and a Screwdriver (11) as shown above.

**Fully tighten the Screws.**

## Step 10



Adjust high for balance

Adjust low for balance

Adjust Pre-installed Levelers  
height for balance

Check for wobbles.

In a sequential manner, gradually tighten all Bolts until evenly secured.

**Inspect the Bed and make sure all parts are adequately connected.**









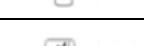

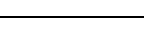
With assistance from your adult partners, adjust the levelers to the desired height to avoid wobbles.

To adjust the Levelers, get assistance from an adult partner to lift/lean and hold the Bed while you are working.

Your Bed is ready for use.

**This Bed can only be used on a flat, level surface.**

## Care & Maintenance

	Furniture may scratch floors. We recommend using furniture pads to protect your floors.
	Do not put hot items directly on furniture surface.
	Do not clean furniture with harsh cleansers or polish.
	Do not place furniture under direct sunlight.
	Do not place furniture near heating or cooling vents.
	Do not write on furniture without a padded barrier to protect the surface.
	Do not place furniture outside. For indoor use only.
	Not for commercial use. For residential use only.
	Stains maybe removed with mild soap solution and damp cloth.
	Children should not climb or jump on the furniture.
	Dust and pick-up spills using a clean, non-colored lint-free cloth.