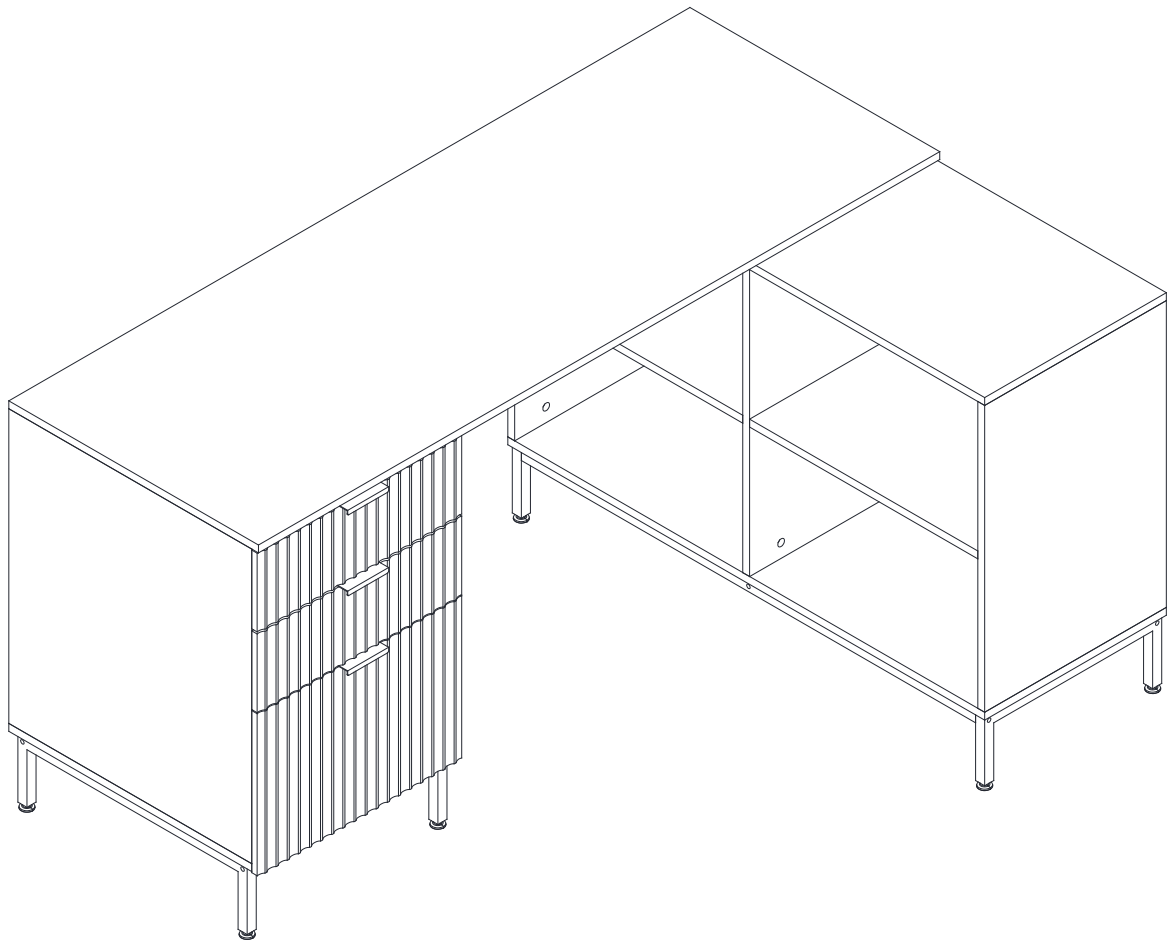
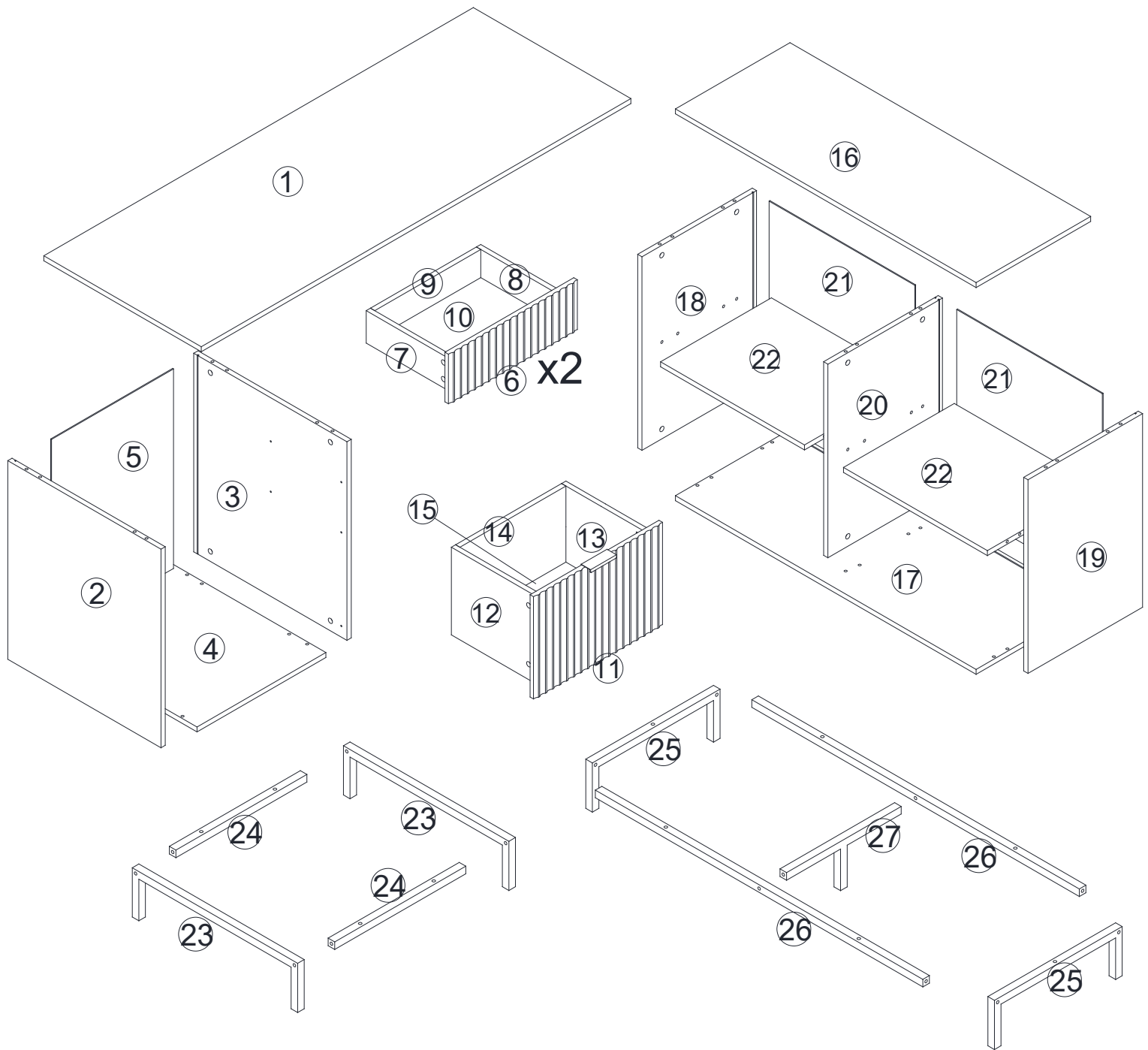


Office Desk



ASSEMBLY INSTRUCTIONS

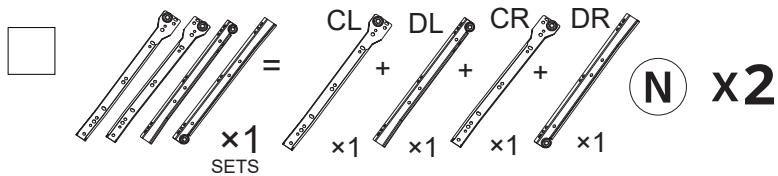
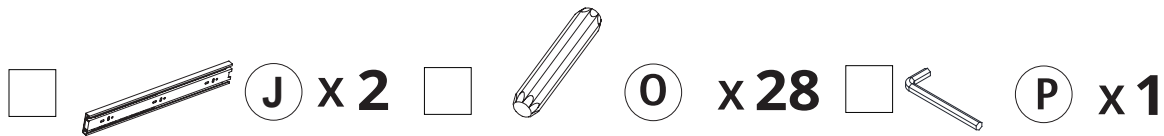
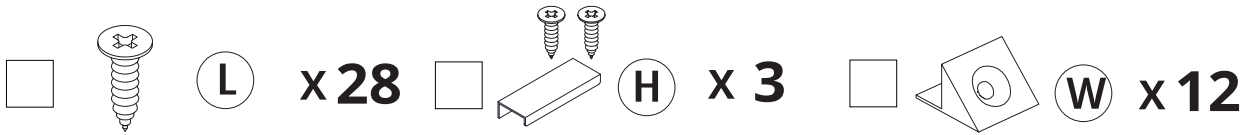
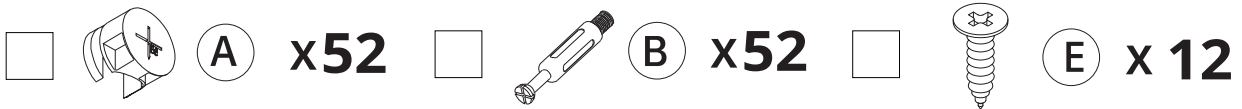
Parts



IMPORTANT

1. Do not tighten bolts/screws completely until all bolts/screws are lined up and inserted into holes.
2. Do not over-tighten screws and bolts to avoid stripping.
3. Please use hand tools to assemble this product. Do not use power tools.

Hardware



Before discarding the packaging, please use the checklist to ensure you have all the parts required to assemble your product. Please kindly note you will need the original package if you want to return the product later.



If parts are missing or damaged, we will gladly ship your replacements parts free of charge.



x2

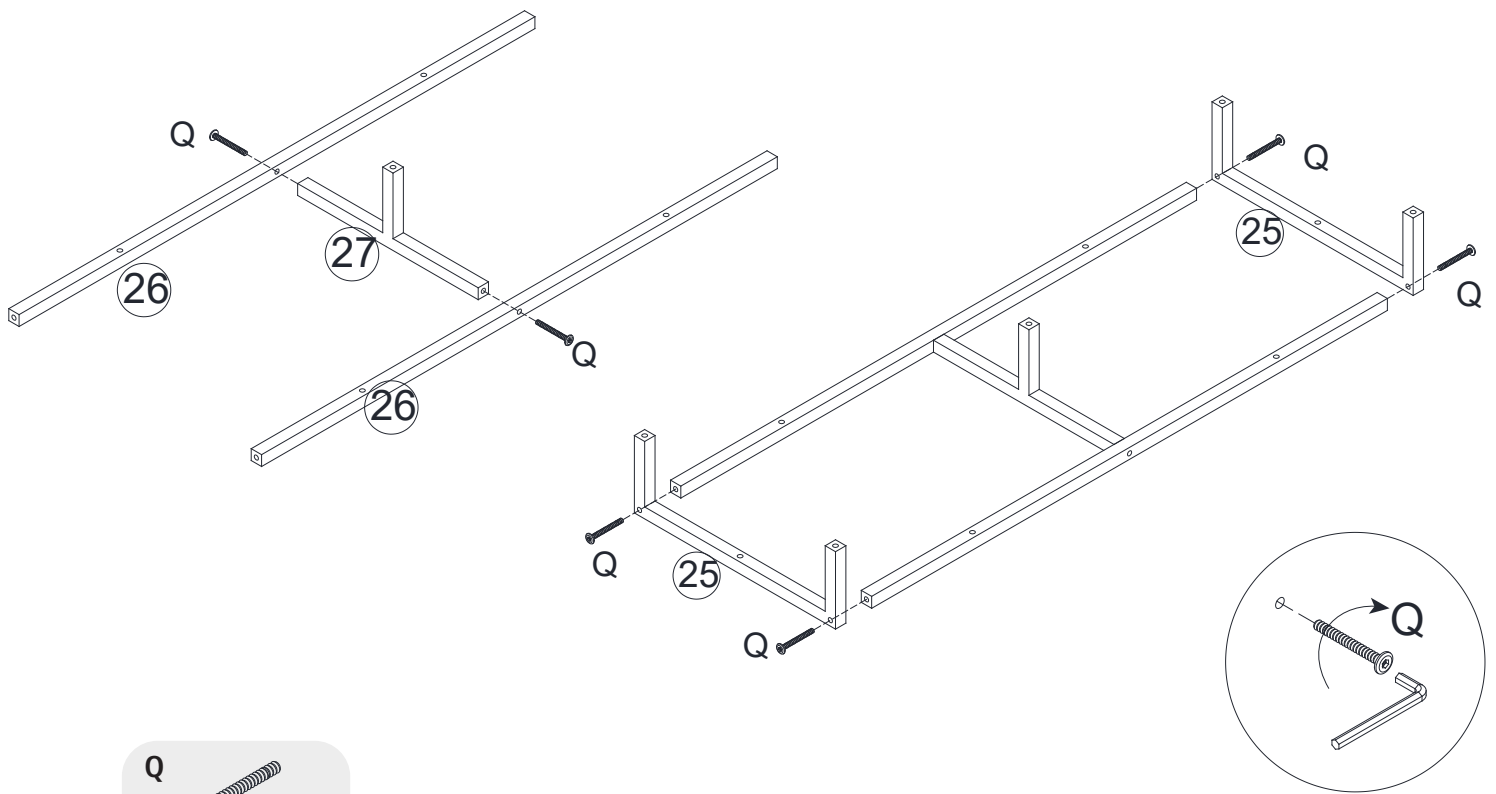


90mins

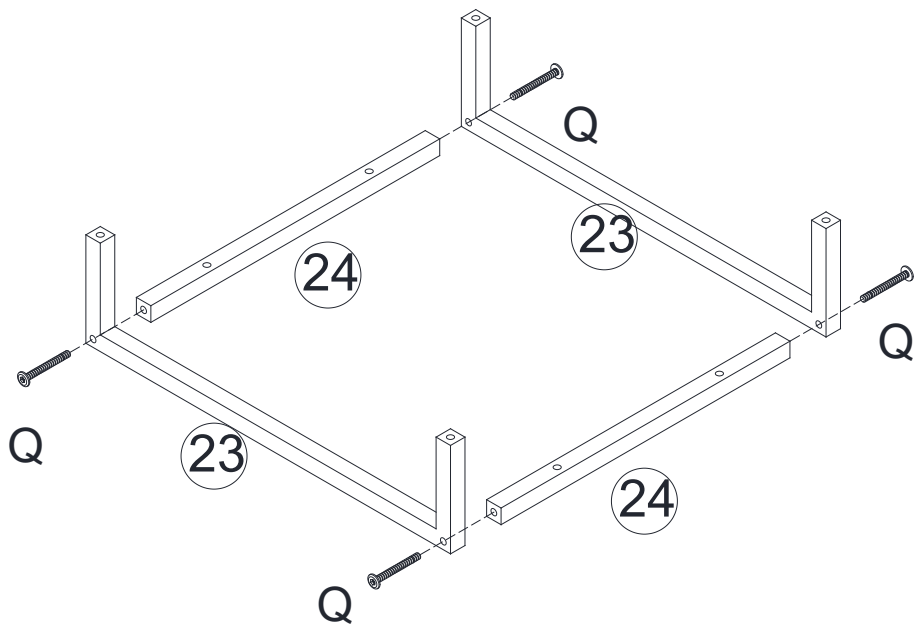


x1

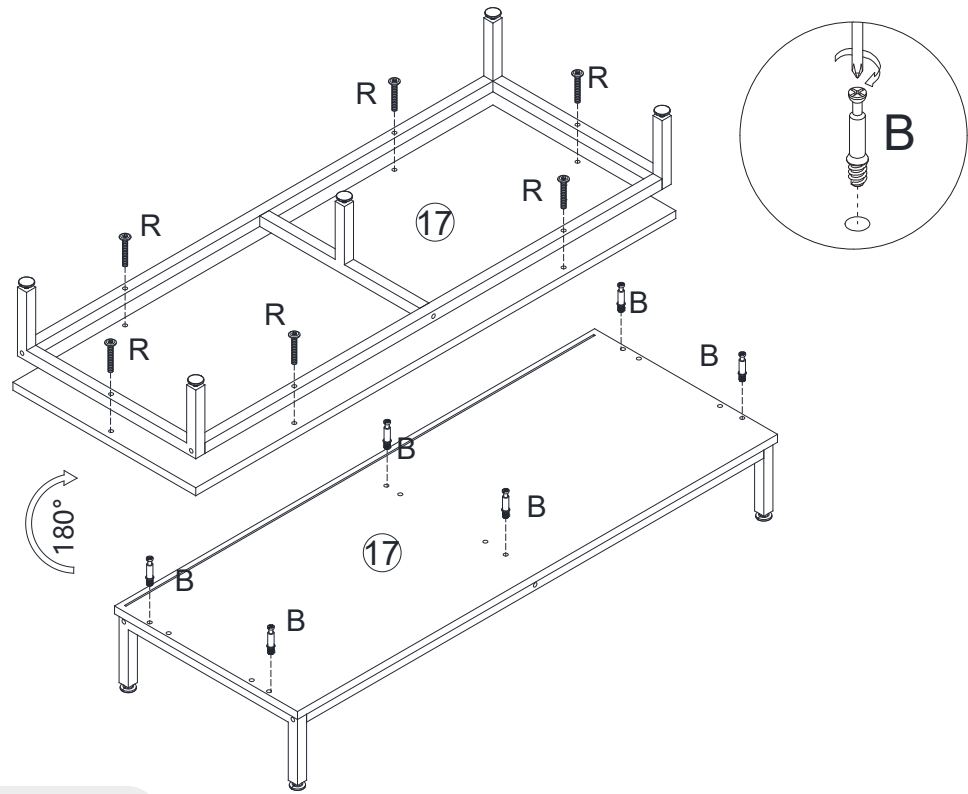
Step 1



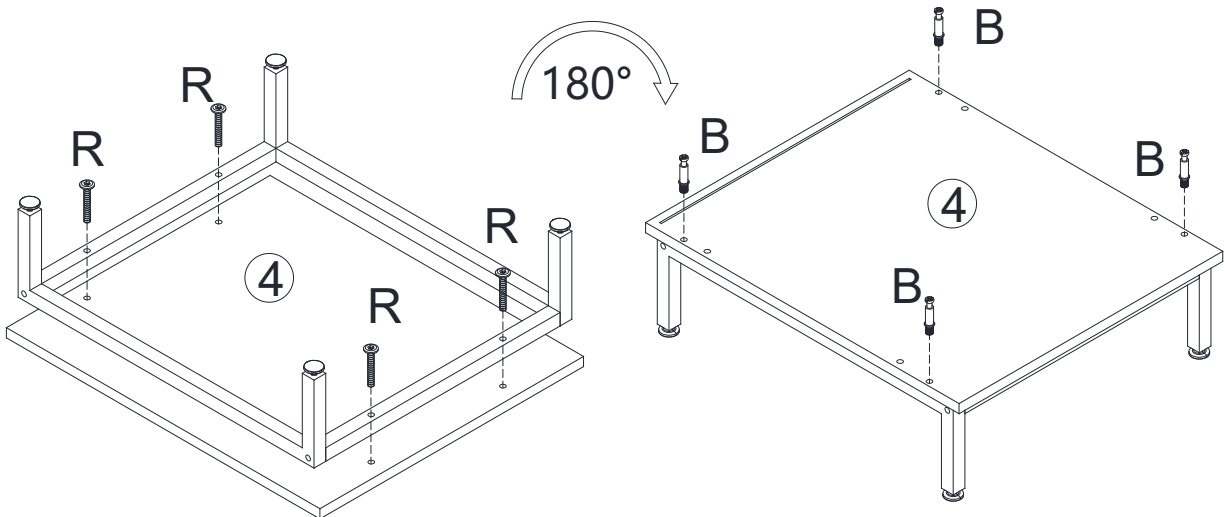
Step 2



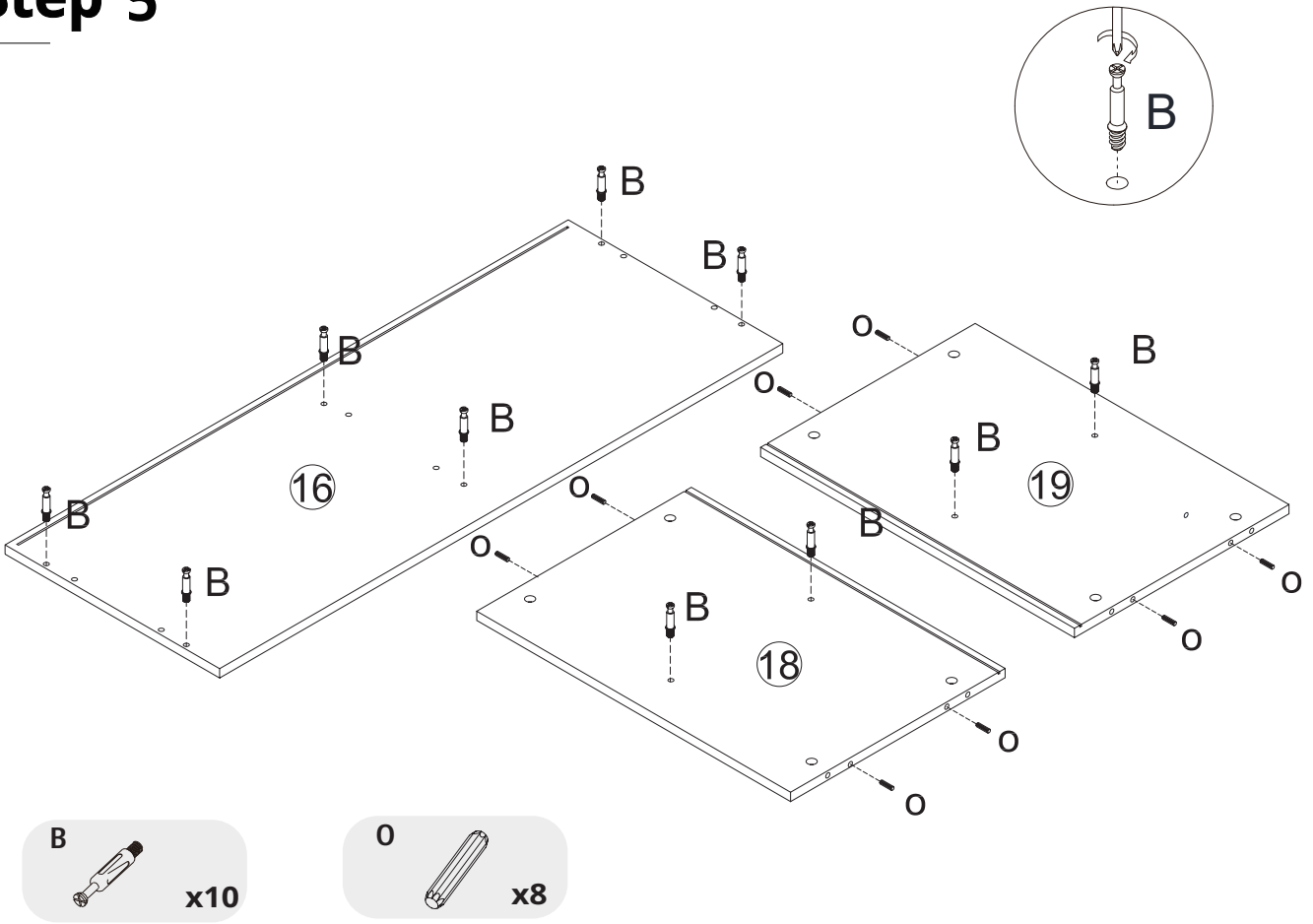
Step 3



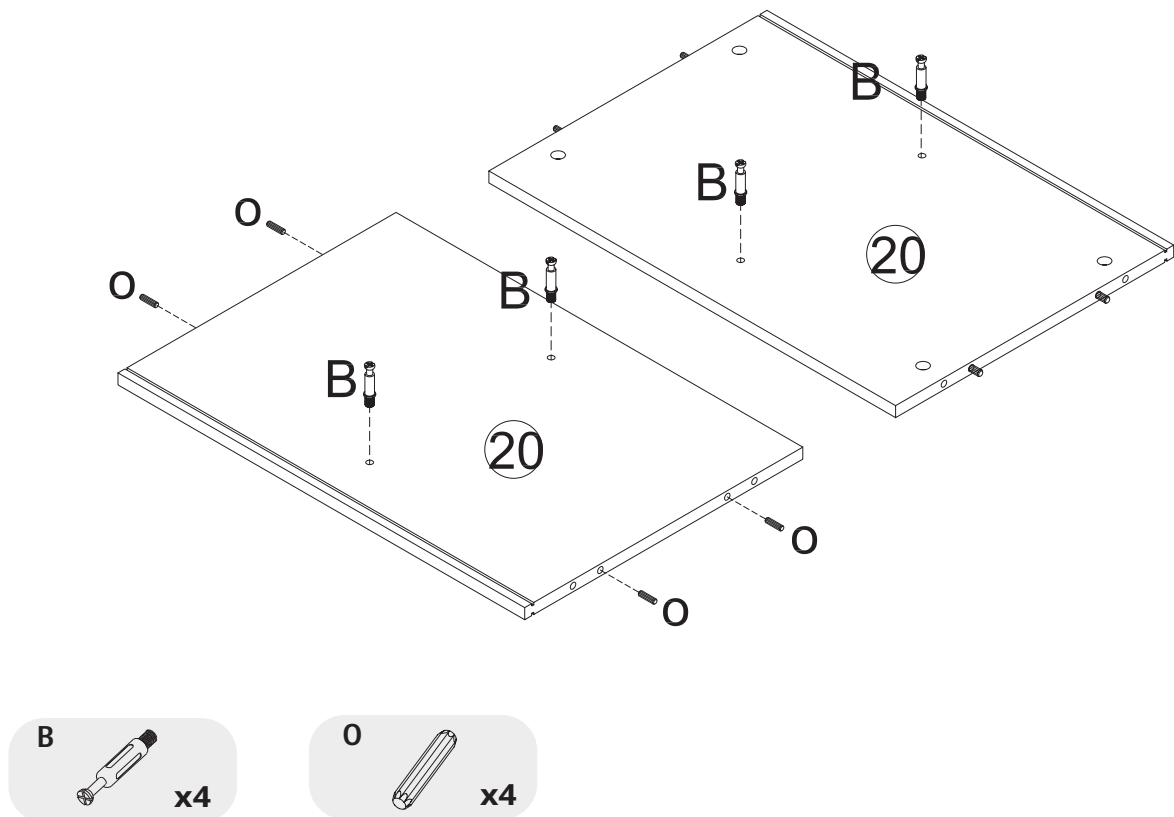
Step 4



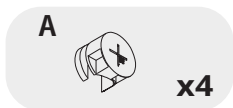
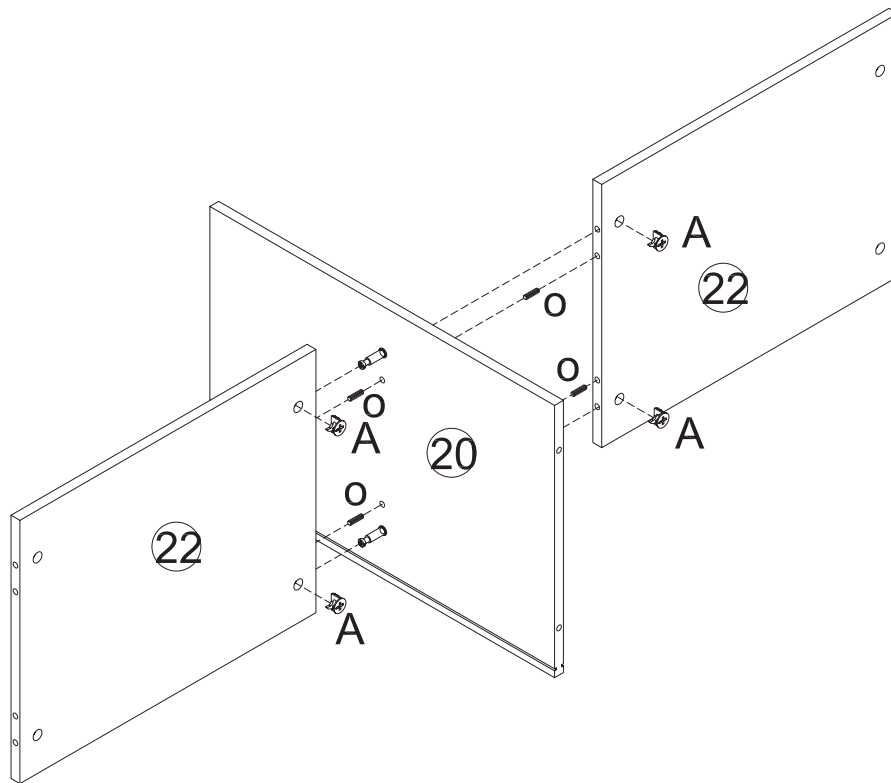
Step 5



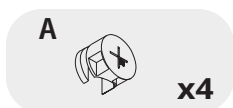
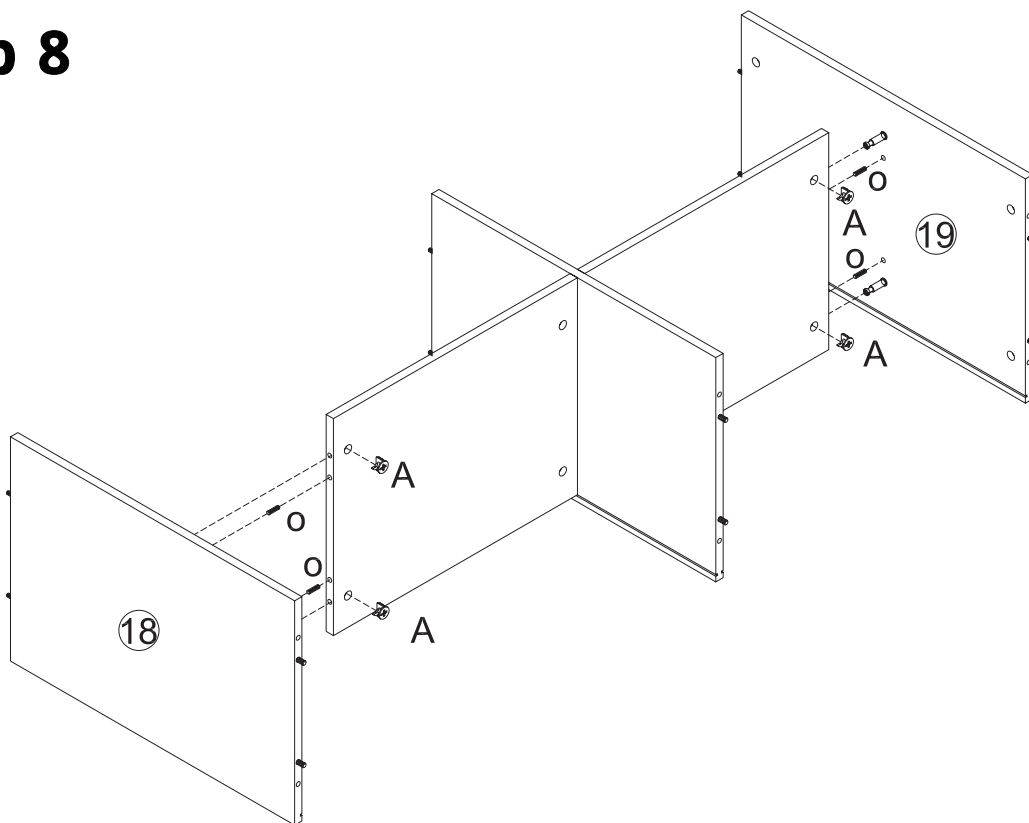
Step 6



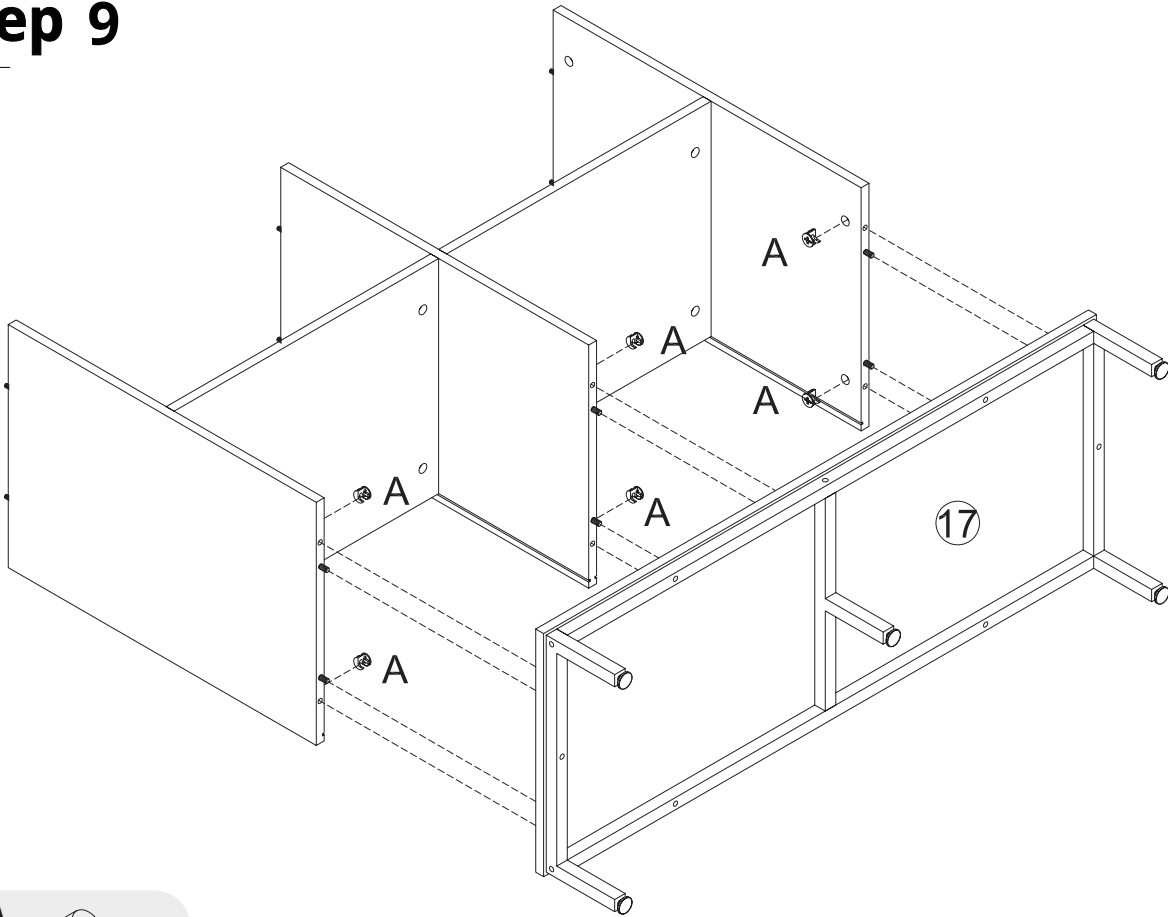
Step 7



Step 8



Step 9

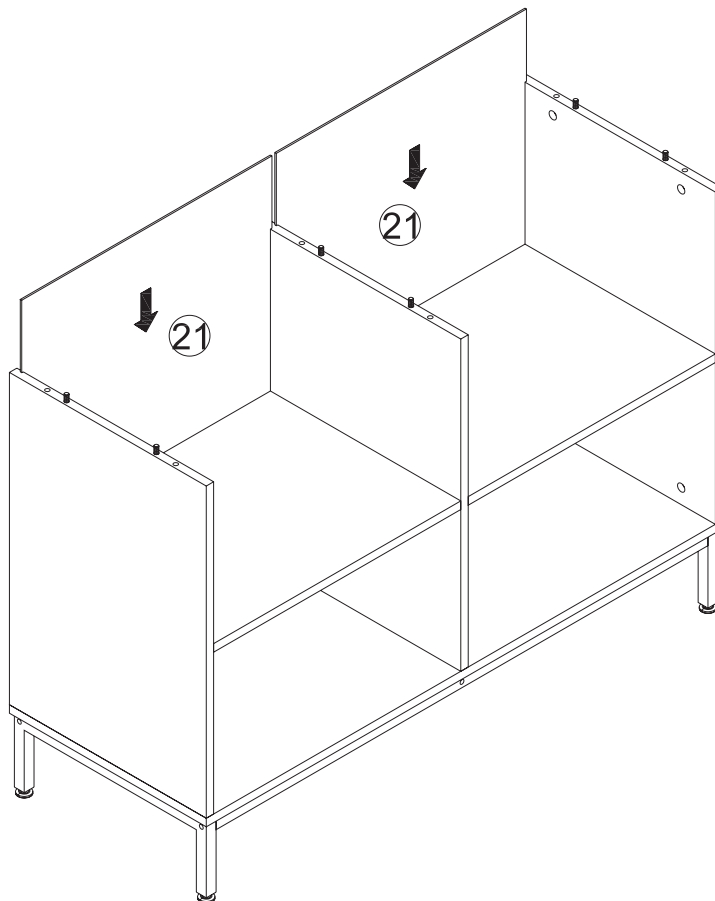


A

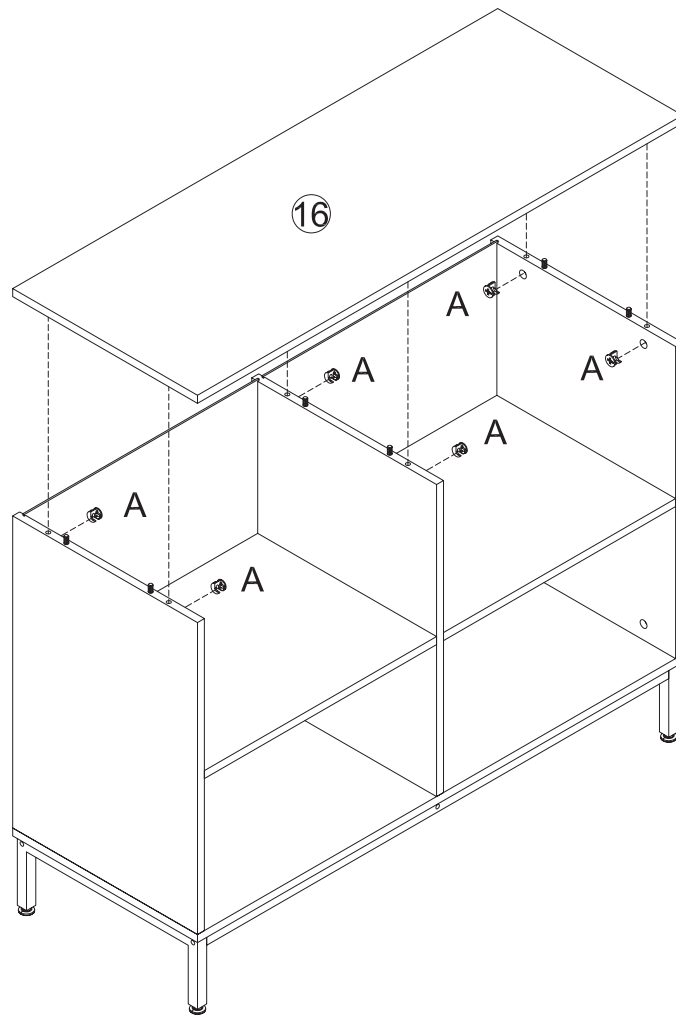


X6

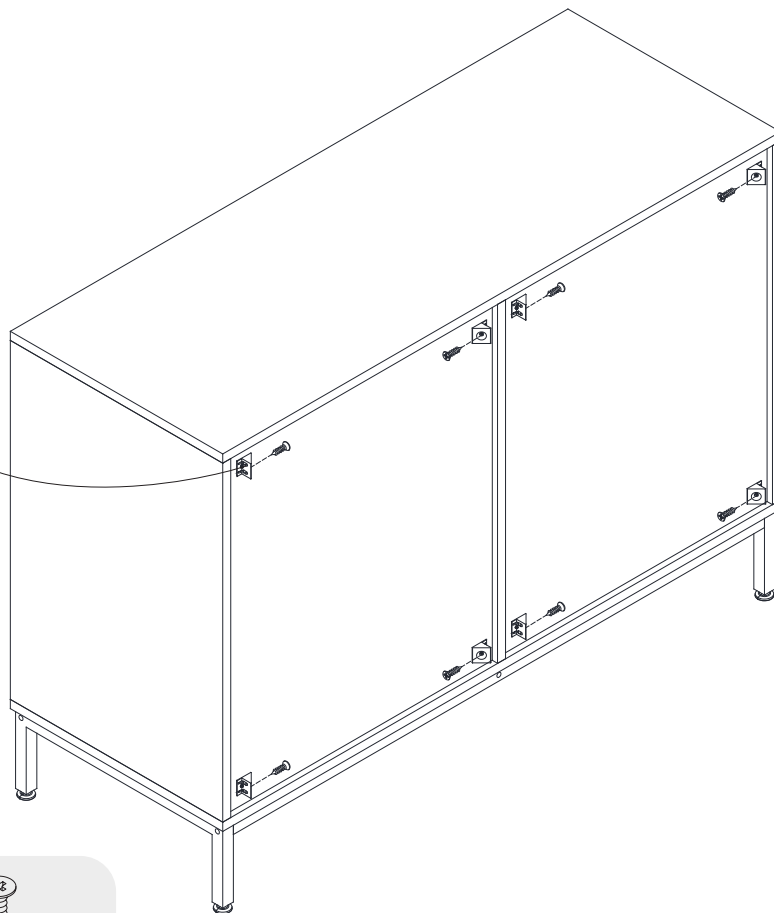
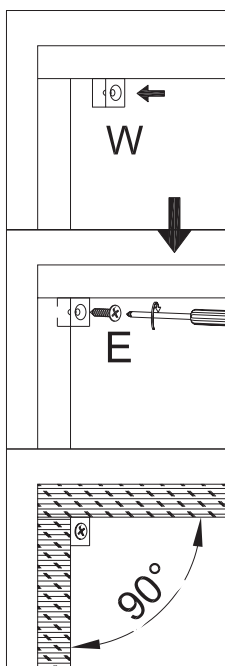
Step 10



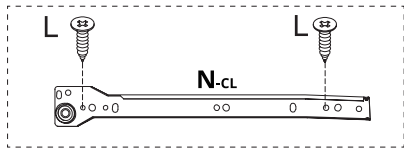
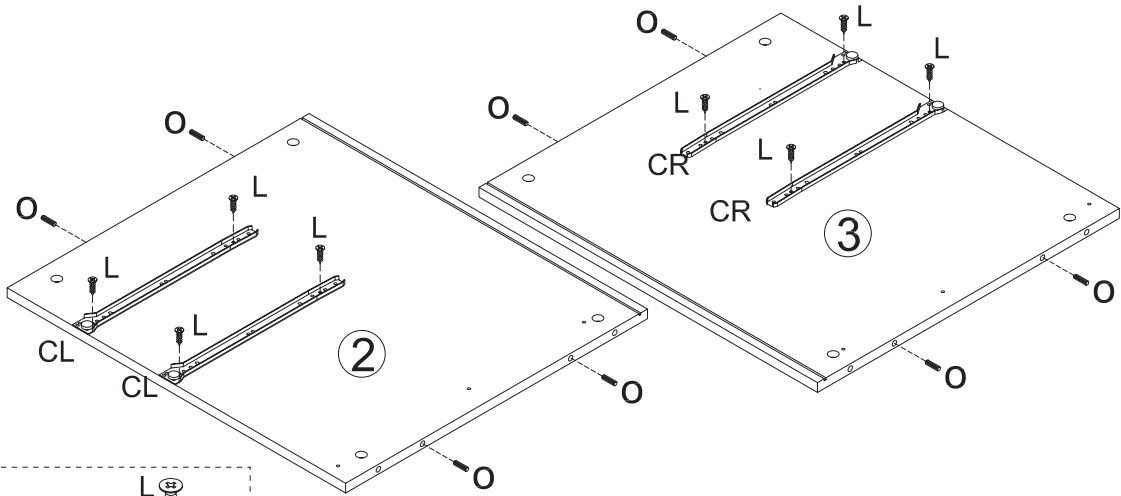
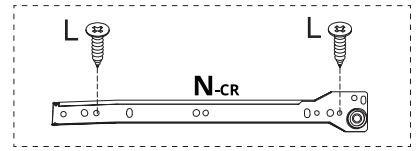
Step 11



Step 12

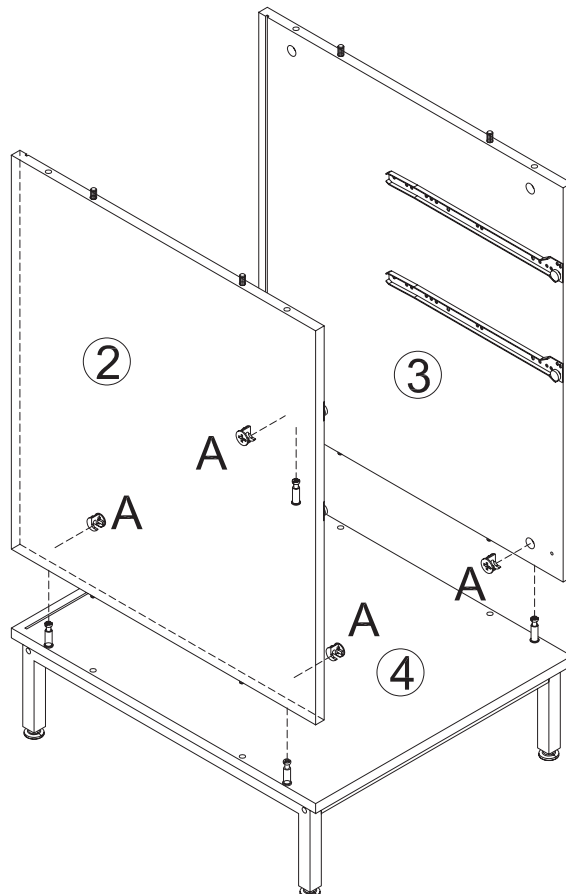
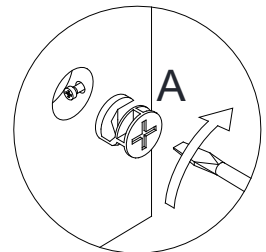


Step 13



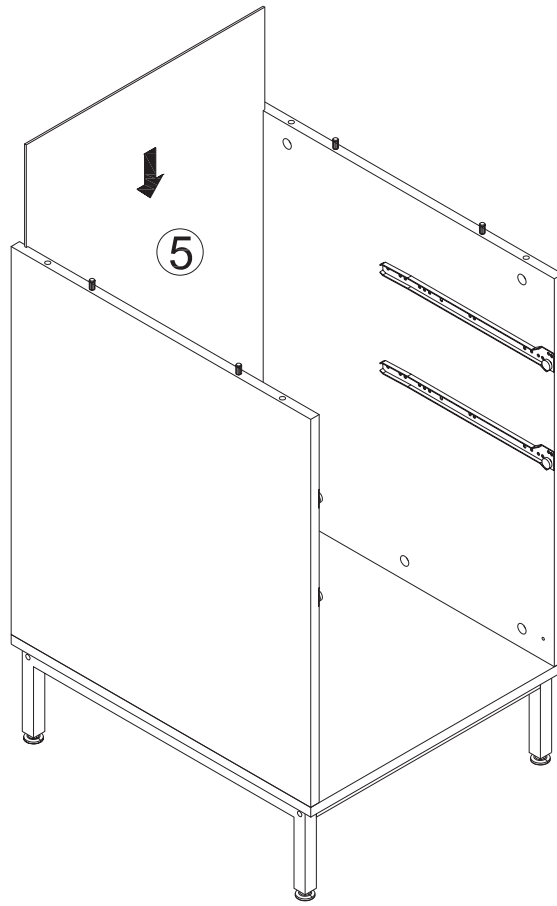
- L
X8
- N-CL
X2
- N-CR
X2
- O
X8

Step 14

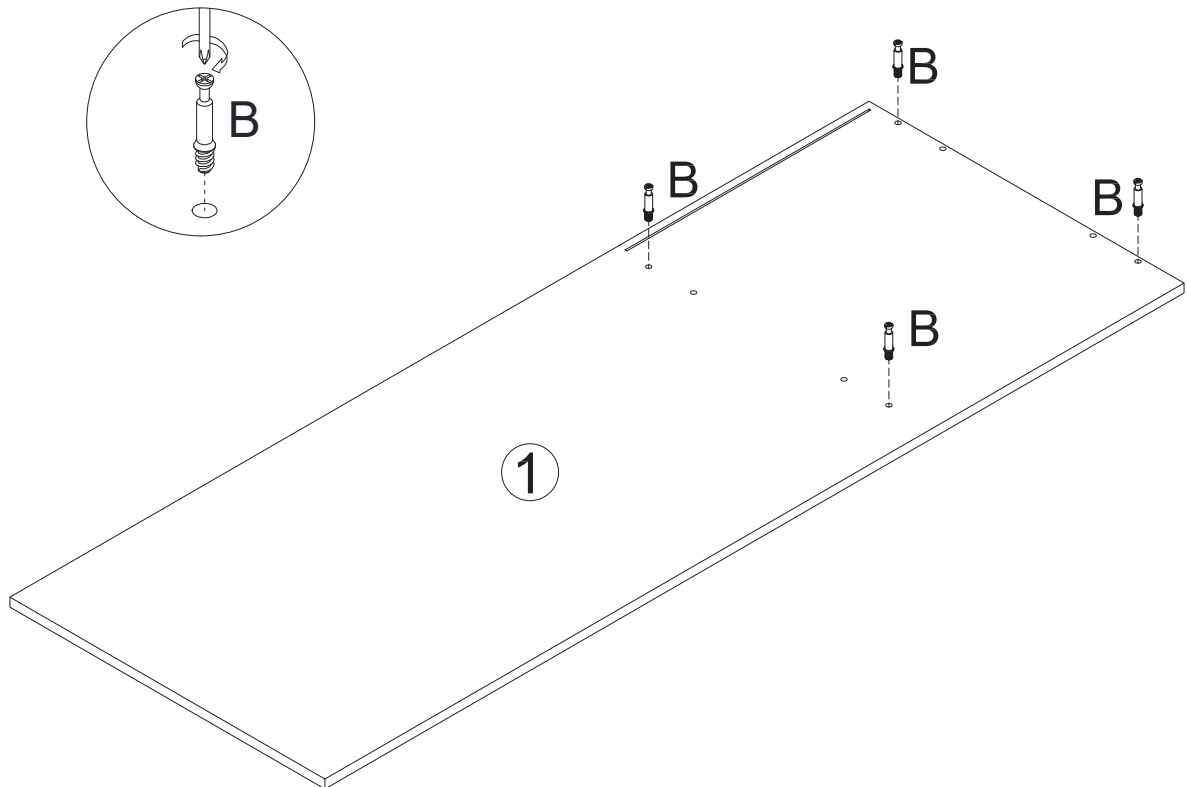


- A
X4

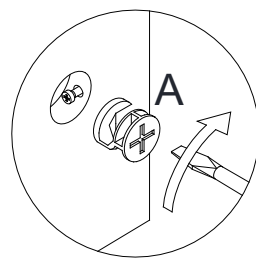
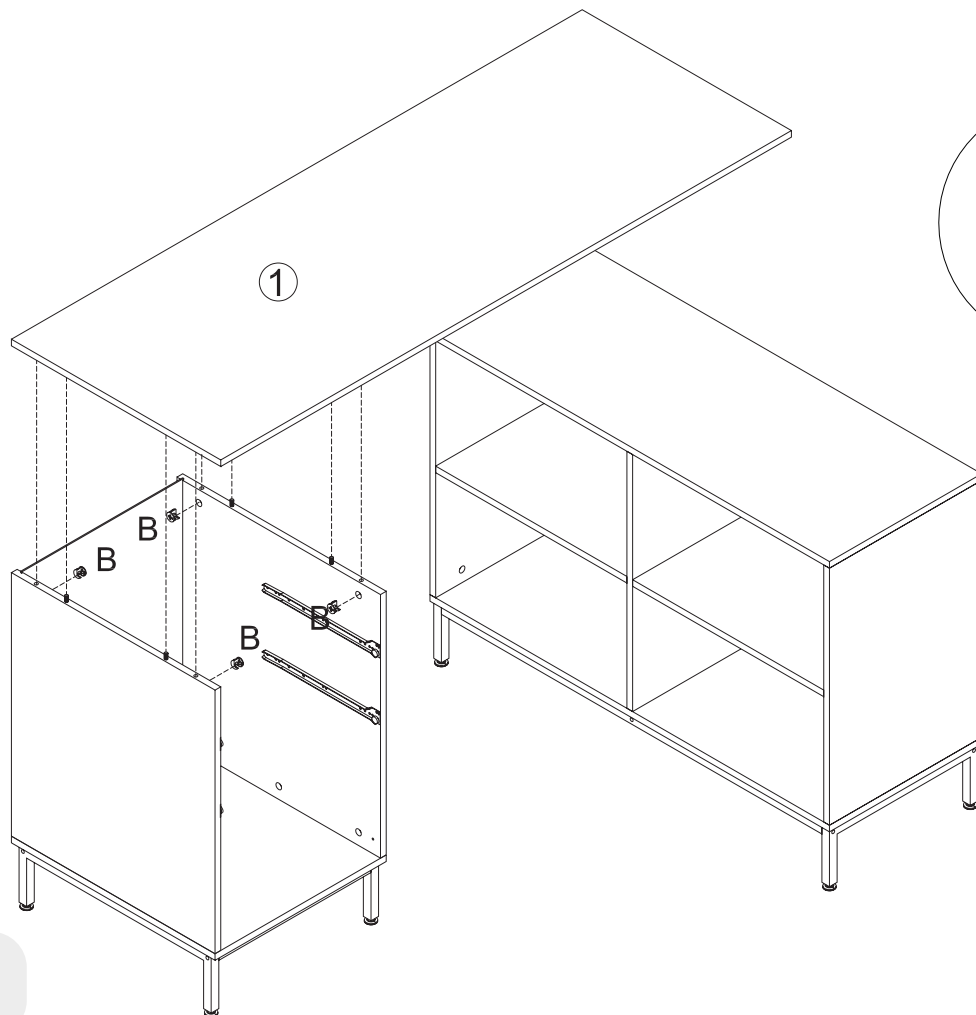
Step 15



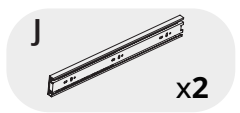
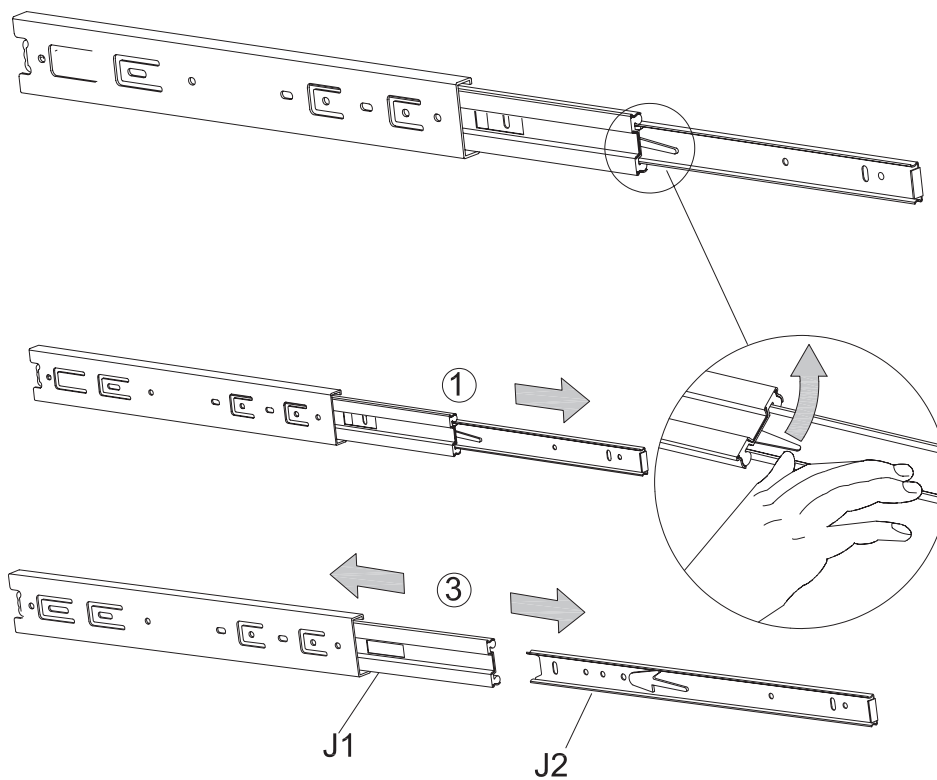
Step 16



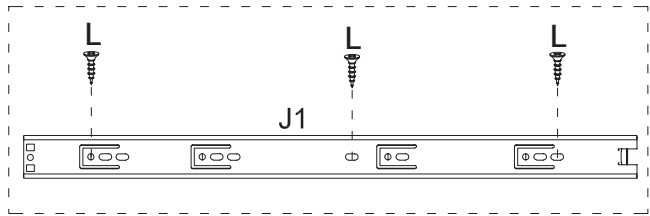
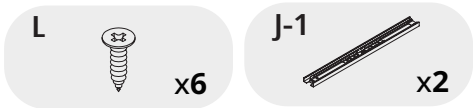
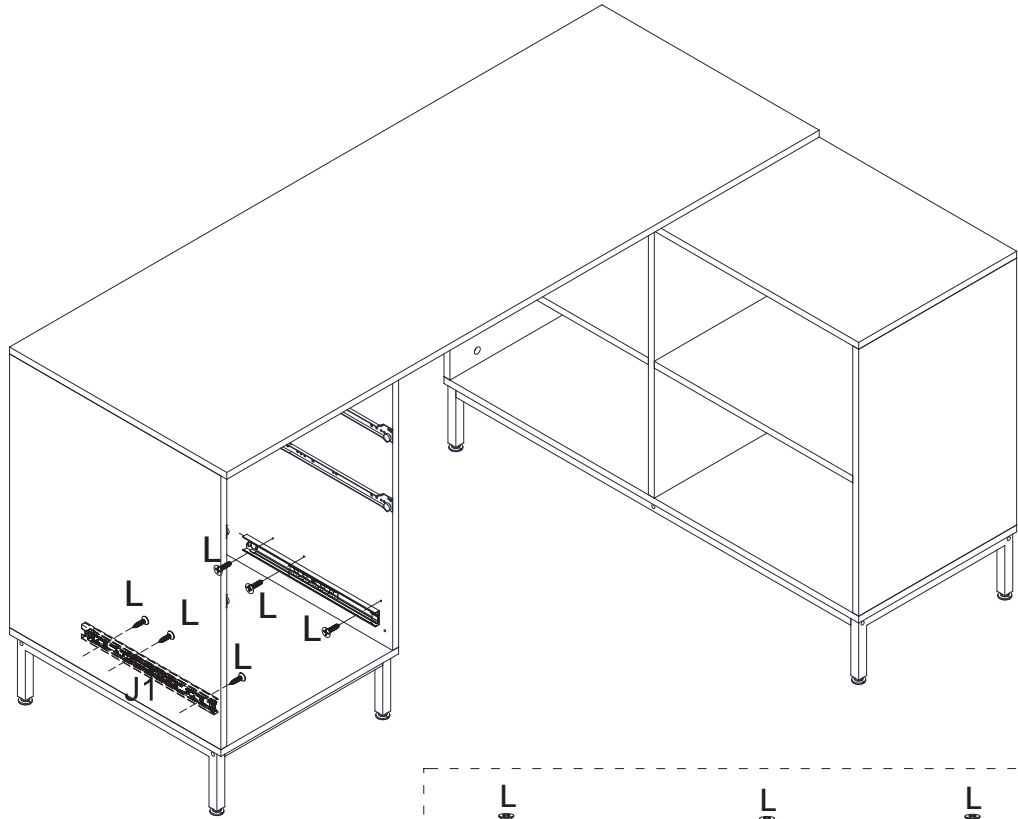
Step 17



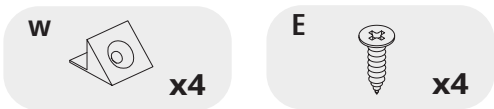
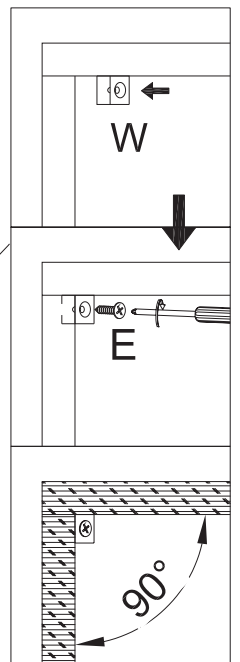
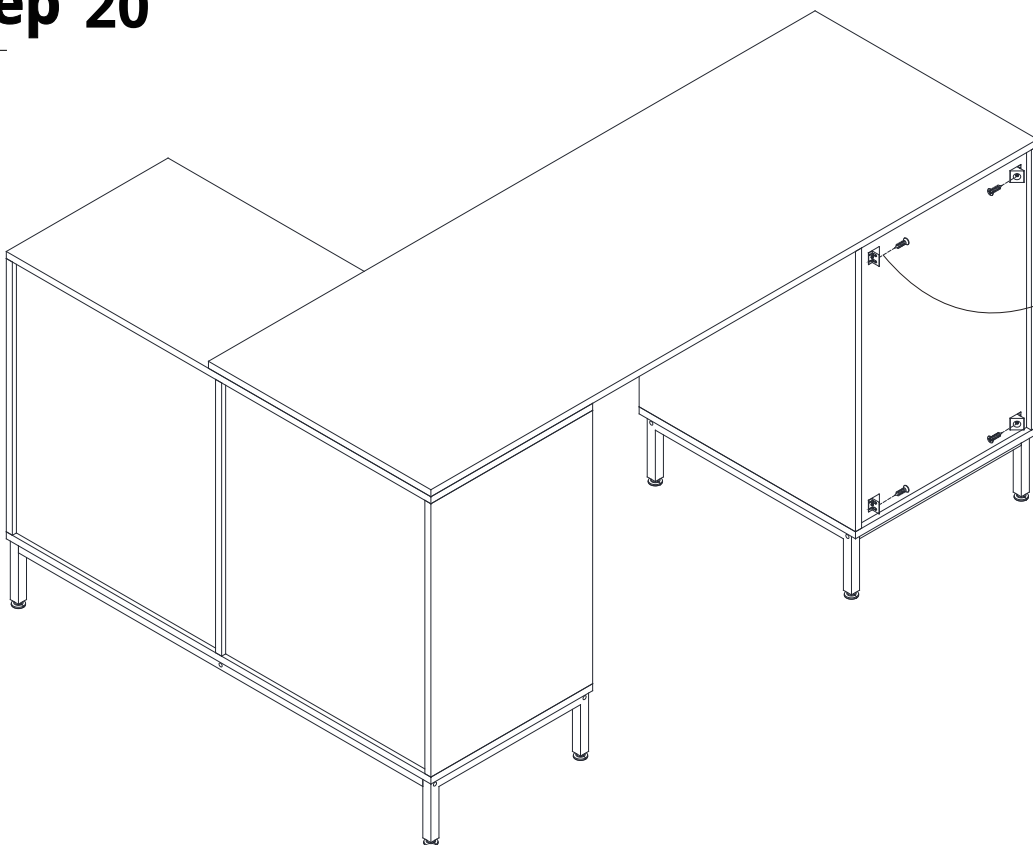
Step 18



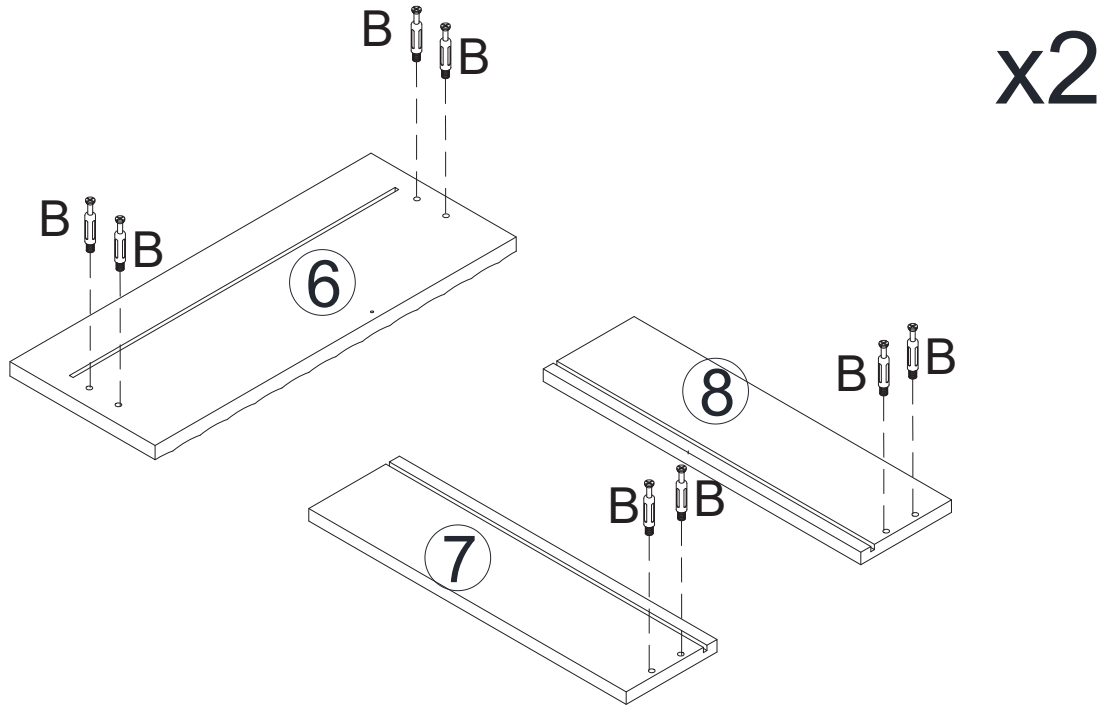
Step 19



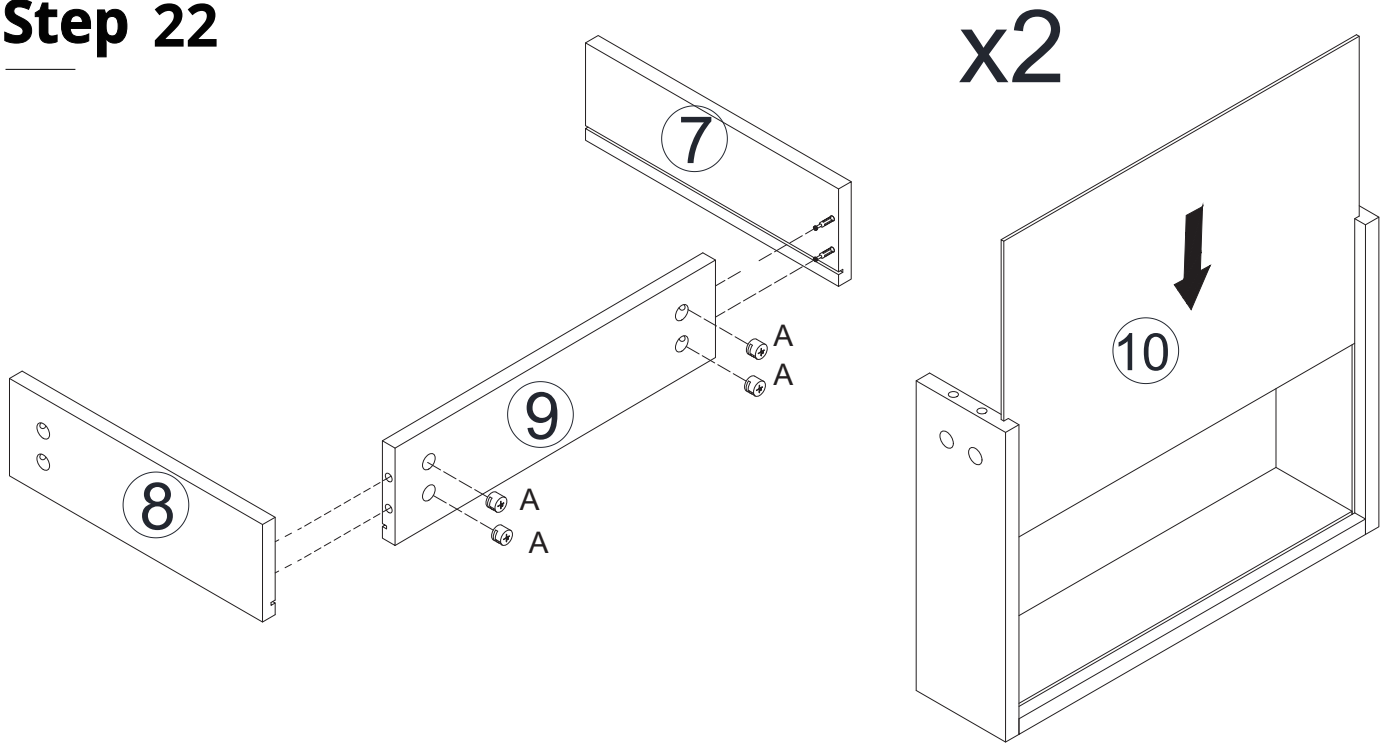
Step 20



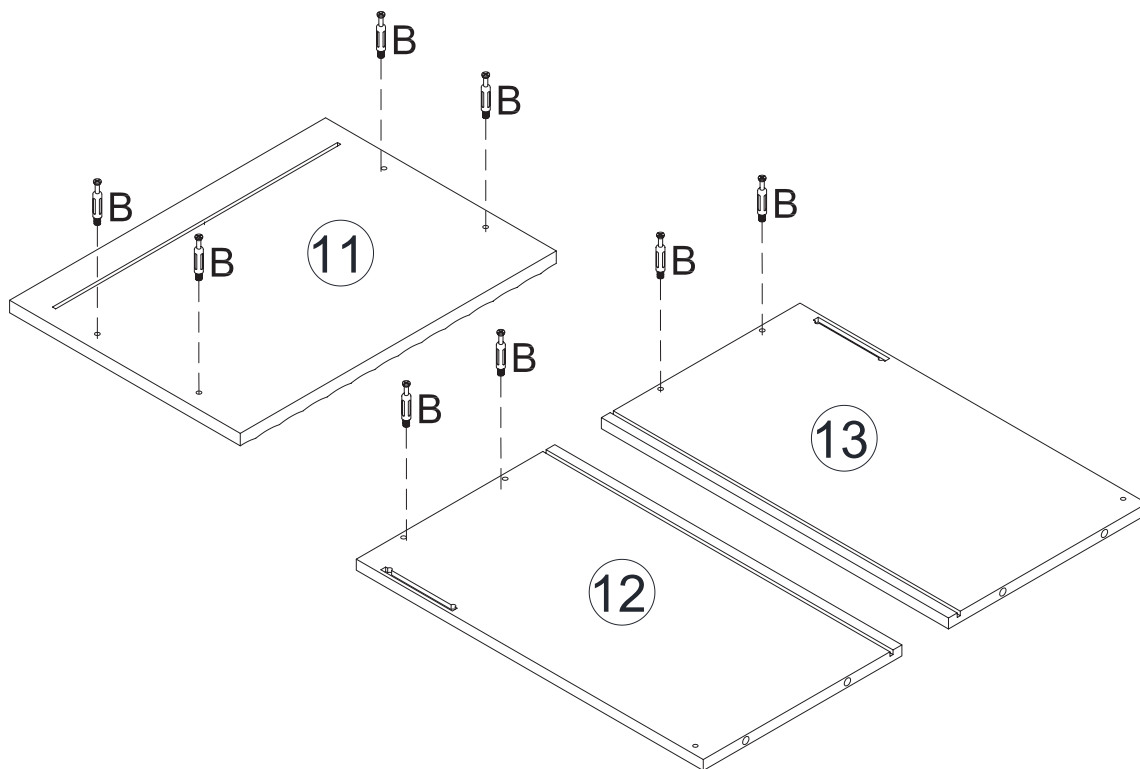
Step 21



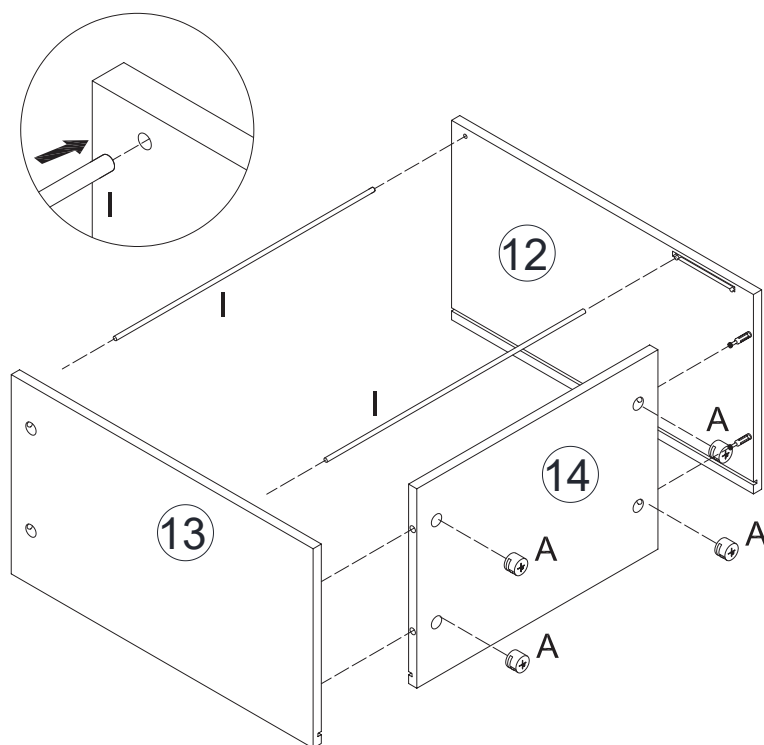
Step 22



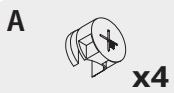
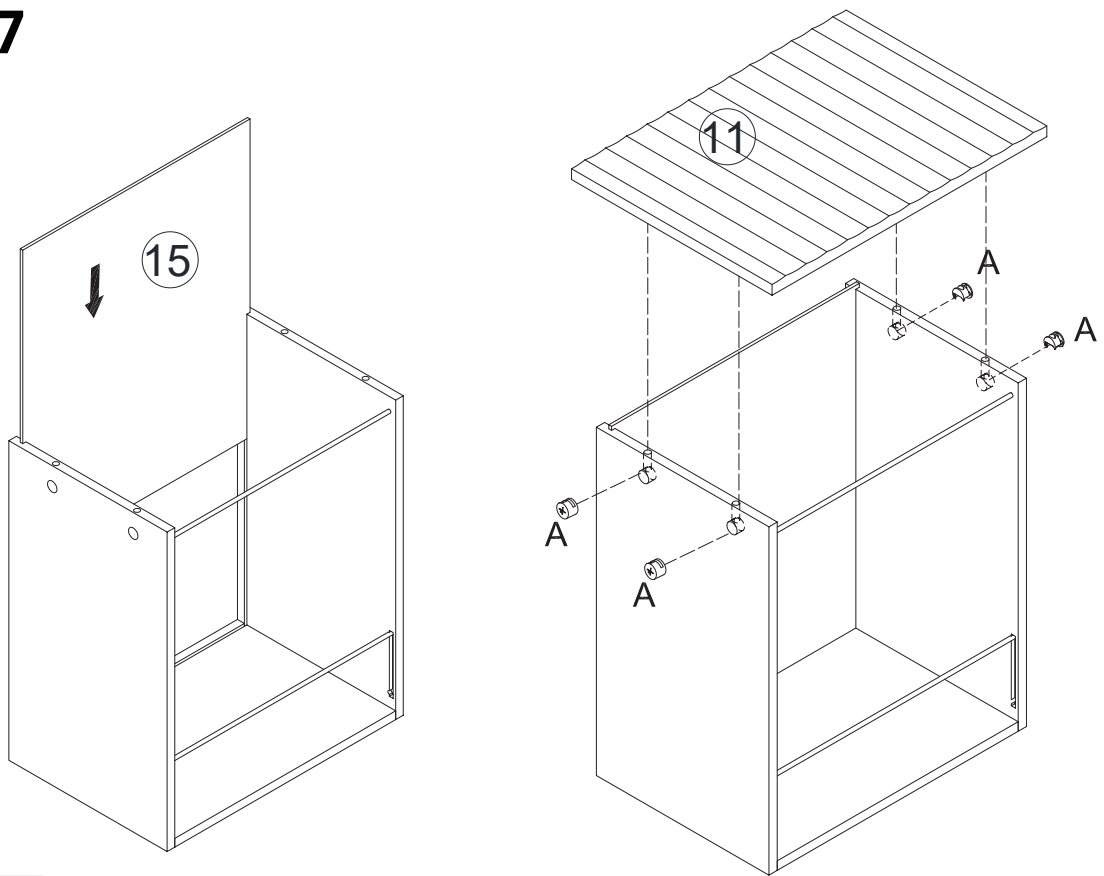
Step 25



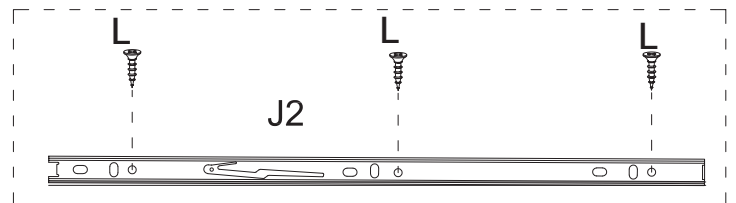
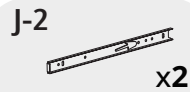
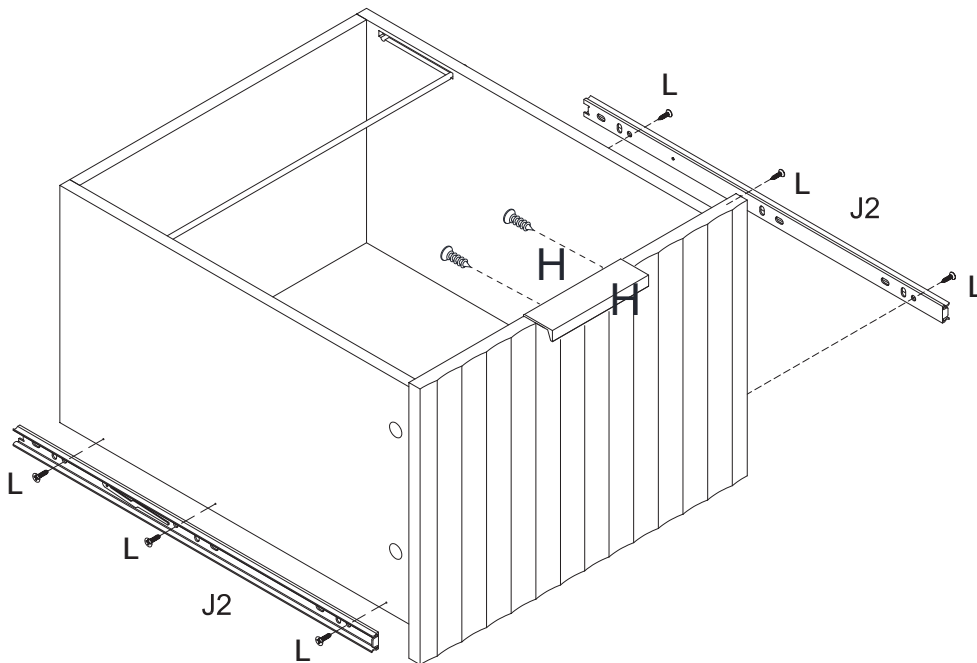
Step 26



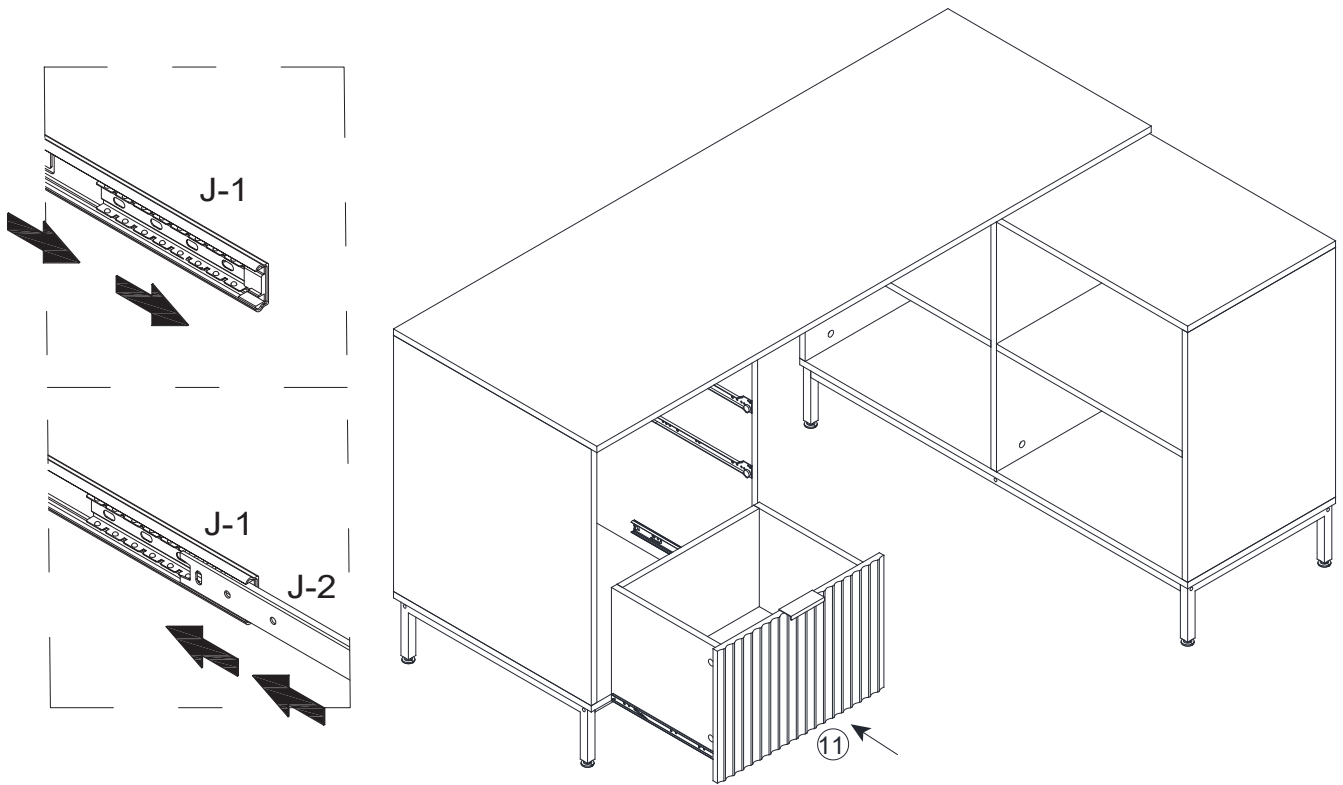
Step 27



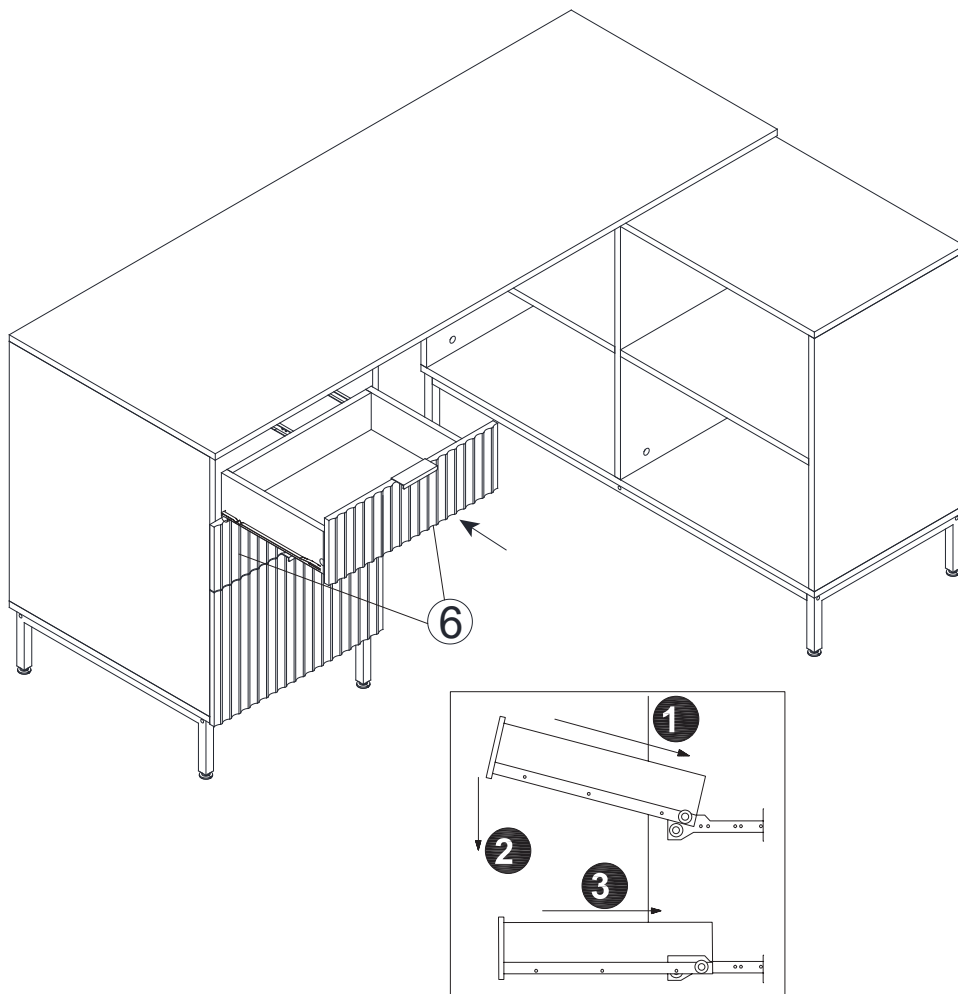
Step 28



Step 29



Step 30

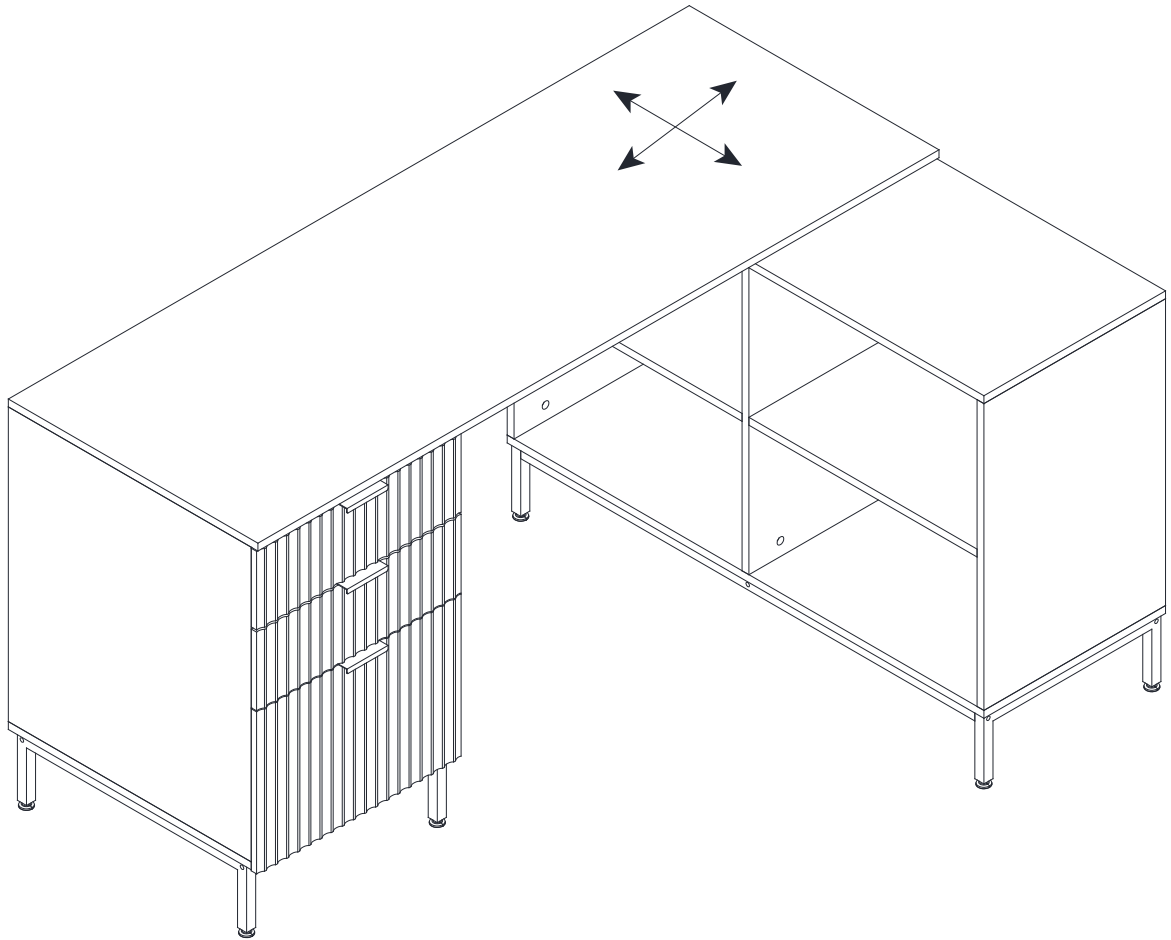


Step 31

Flexible Tabletop:

Change into different shapes to customize your computer desk.

0° overlapped perfect for small space, 90° or 270° L shaped perfect for corner space and 180° extended perfect for large space.



CARE

INSTRUCTIONS

If treated with respect and love, your furniture will last you a long time. Each piece requires light maintenance to maximize its longevity.

Here are a few quick tips before using this product:

- The recommended load capacity for the office desk top is 150 LBS, and 30/50 LBS for drawers
- Avoid uneven weight distribution for a long time as it may cause damage to the product's shape.
- The drawers may not swing smoothly when the table is overloaded by weight.
- Check and tighten the camlock and screw periodically, as it may lose over time.

How to take care of it?

- Avoid direct sunlight or use curtains or blinds to limit sun exposure to the product.
- Clean the product regularly with a dry, soft cloth.
- Avoid using the abrasive or liquid cleanser.
- Spillage may damage the surface. Clean immediately with a dry cloth.
- We recommend using placemats or coasters underneath glasses, cups, bowls, or plates to prevent scratches to the table surface.

Follow the care instructions and look after your furniture, in return, your furniture will look after you.