

**POSTER HEADBOARD
POSTER WOVEN HEADBOARD
POSTER FOOTBOARD
POSTER WOVEN FOOTBOARD
RAILS**

Assembly Instruction

A. Components :

| | Qty |
|------------------|------------|
| 1. Headboard | : 1 Pc |
| 2. Footboard | : 1 Pc |
| 3. HB Legs | : 2 Pcs |
| 4. HB Finial | : 2 Pcs |
| 5. FB Finial | : 2 Pcs |
| 6. Stretcher | : 1 Pc |
| 7. Bed Rails | : 2 Pcs |
| 8. Slats | : 3 Pcs |
| 9. Slats Support | : 3 Pcs |



a



b



c



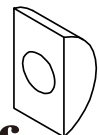
d

B. Hardware :

| | Qty |
|--------------------|------------|
| a. Bolt M6 x 50mm | : 10 Pcs |
| b. Flat Washer | : 10 Pcs |
| c. Lock Washer | : 10 Pcs |
| d. Allen Key | : 1 Pc |
| e. Bolt M8 x 100mm | : 8 Pcs |
| f. Halfmoon Washer | : 8 Pcs |
| g. Hexa Nut | : 8 Pcs |
| h. Screw | : 6 Pcs |
| i. Hexa Wrench | : 1 Pc |



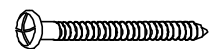
e



f



g



h



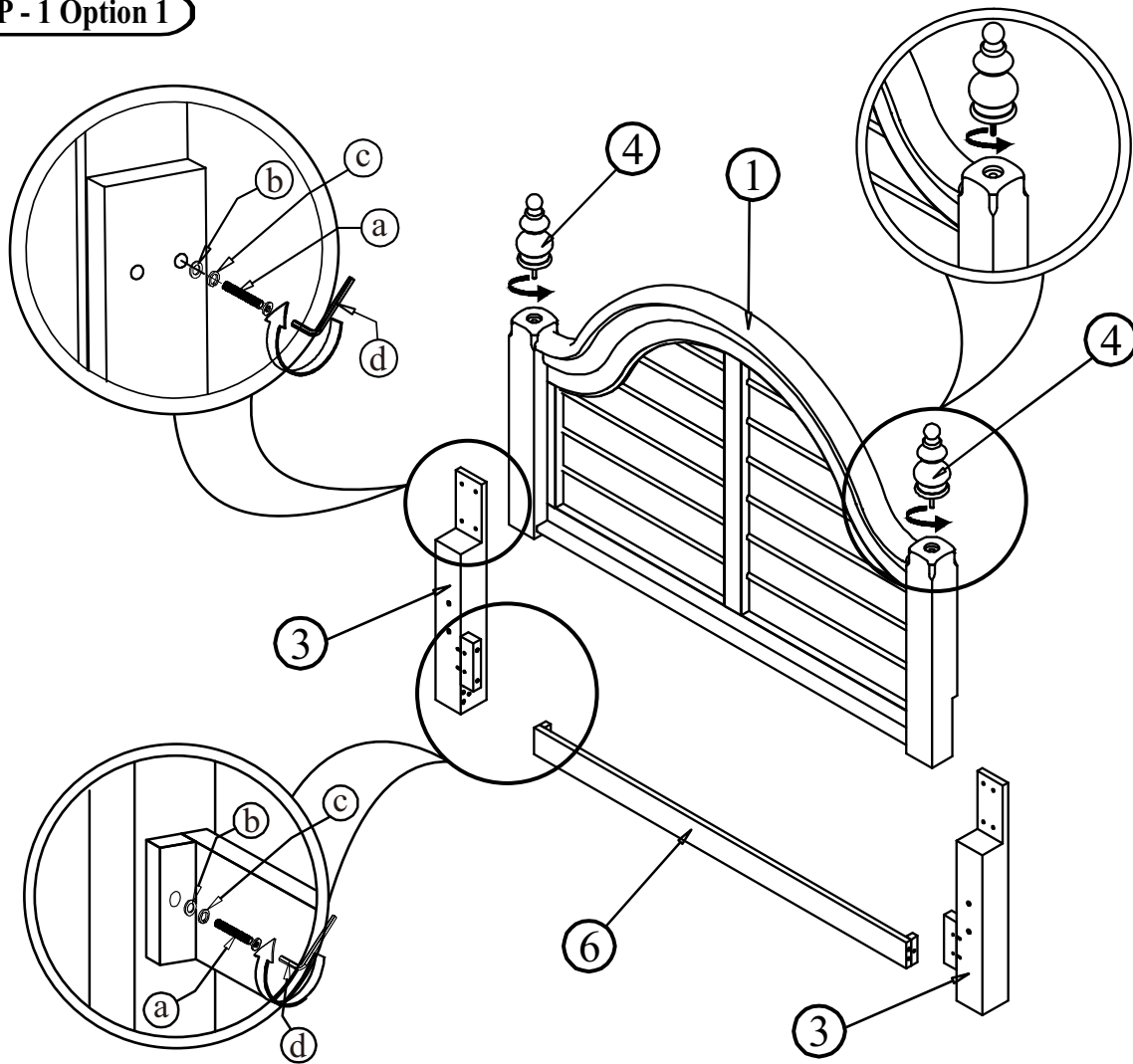
i

C. Tool Required

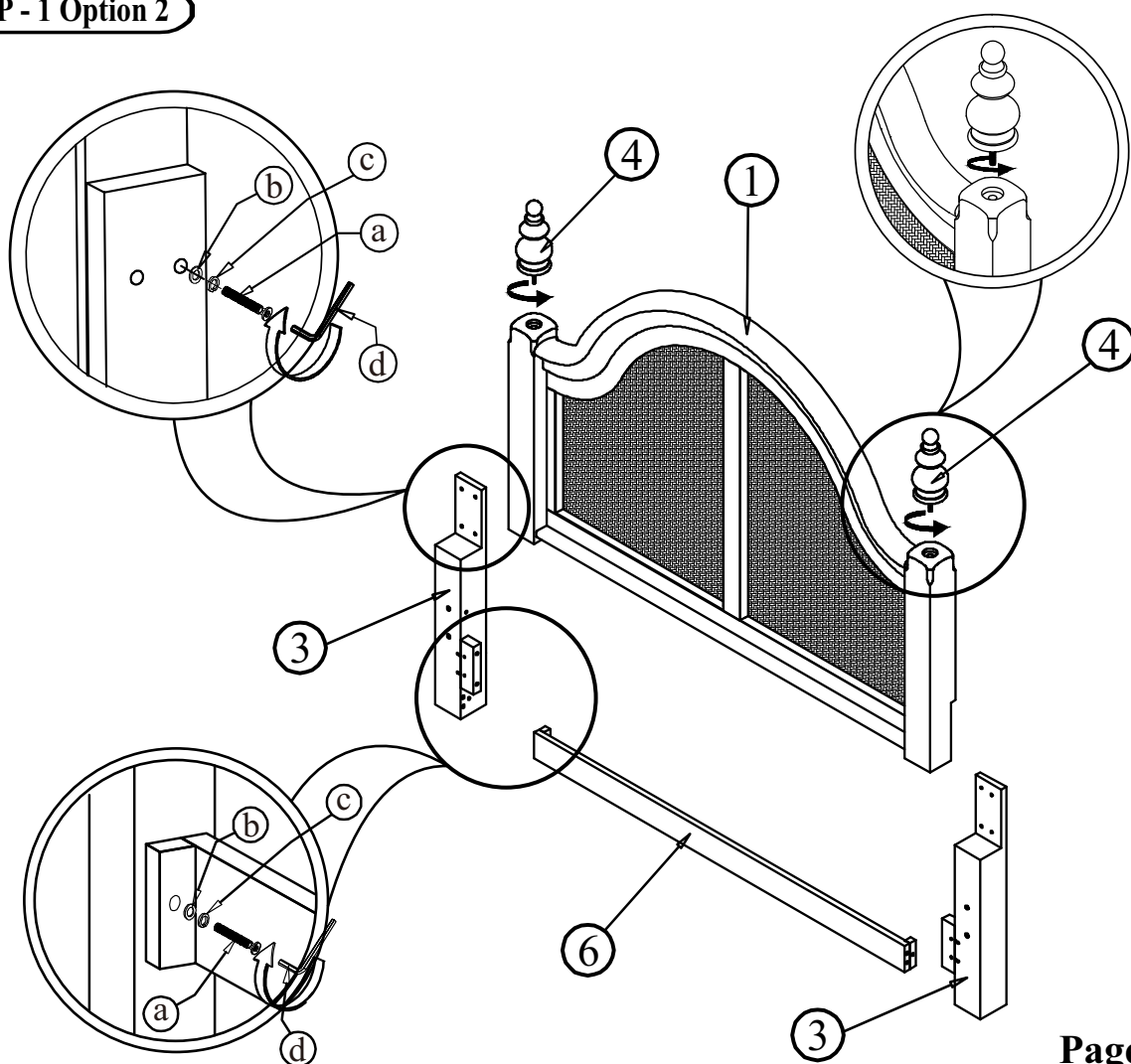
1. Screw Driver = (not included)



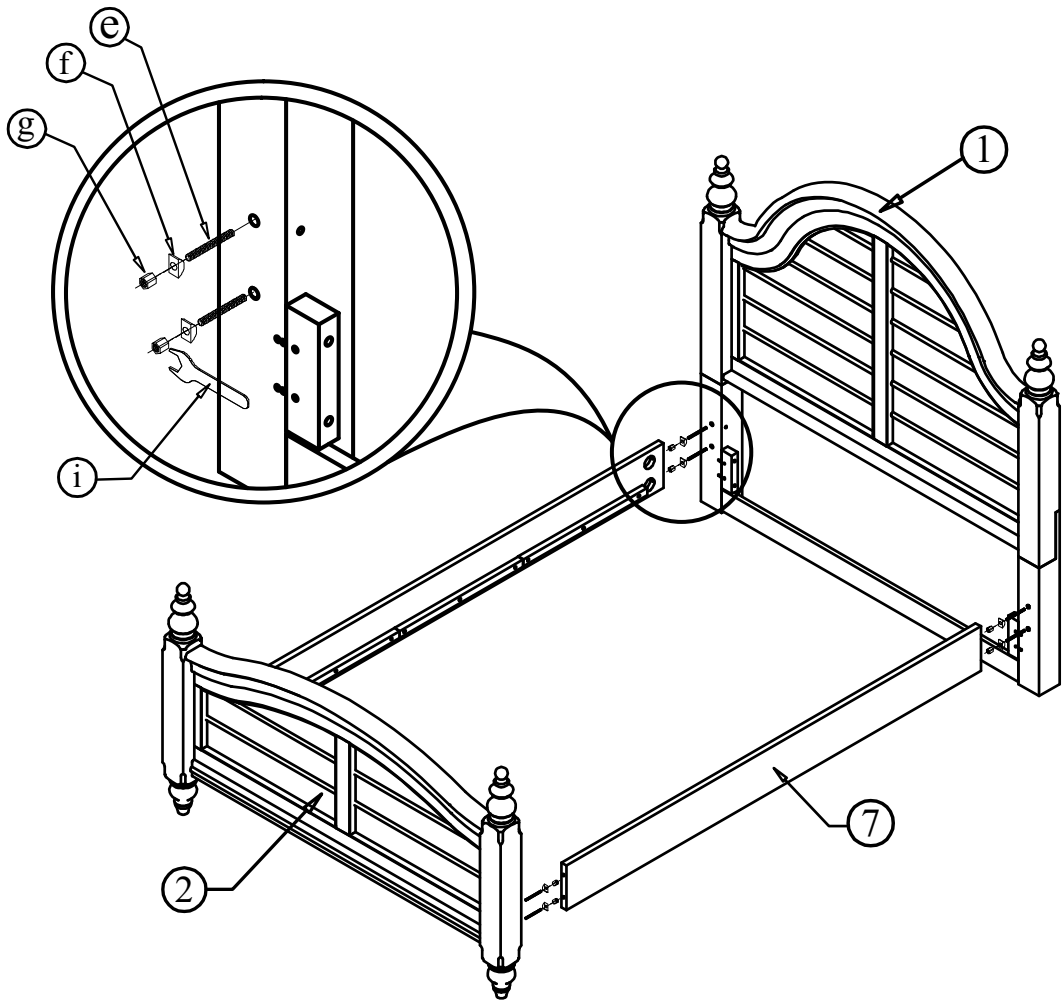
STEP - 1 Option 1



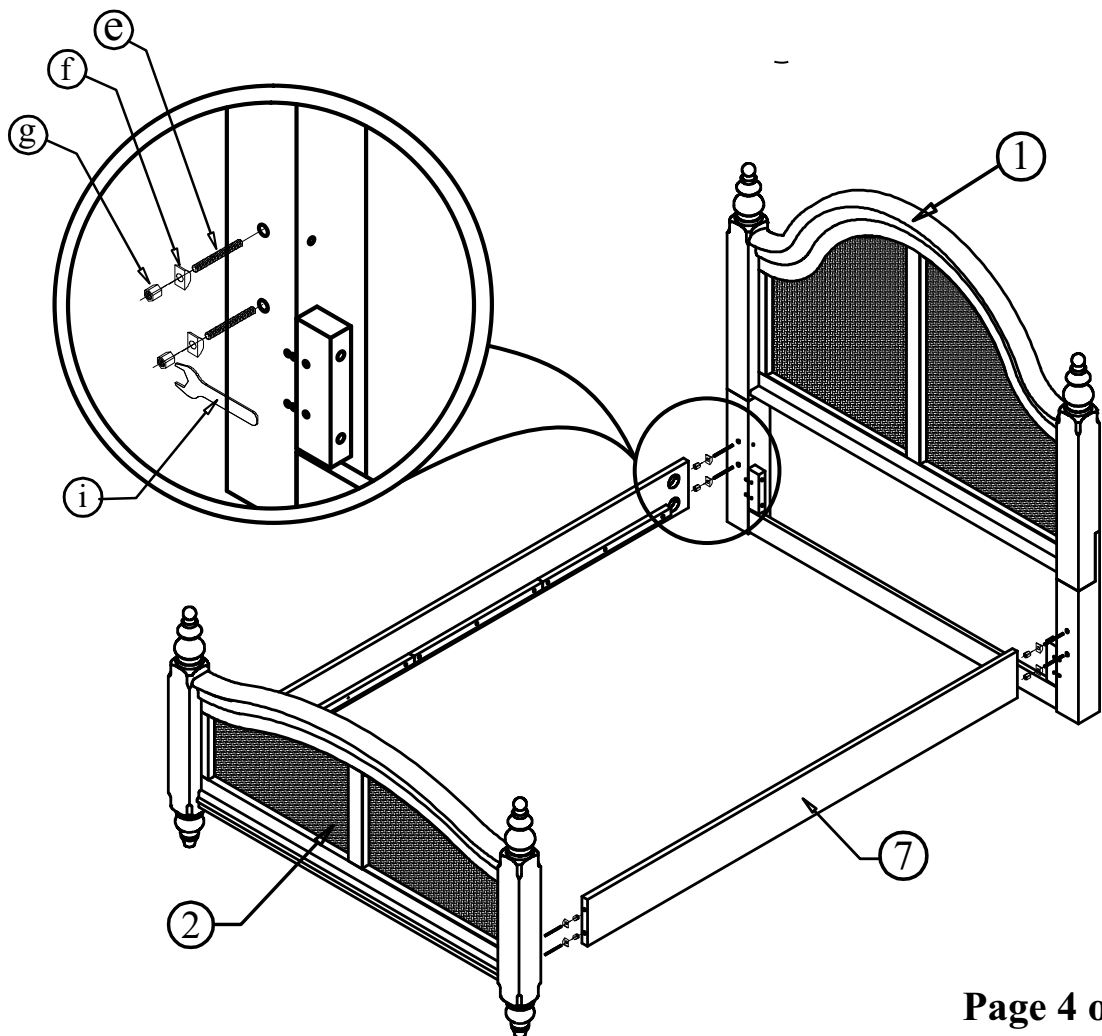
STEP - 1 Option 2



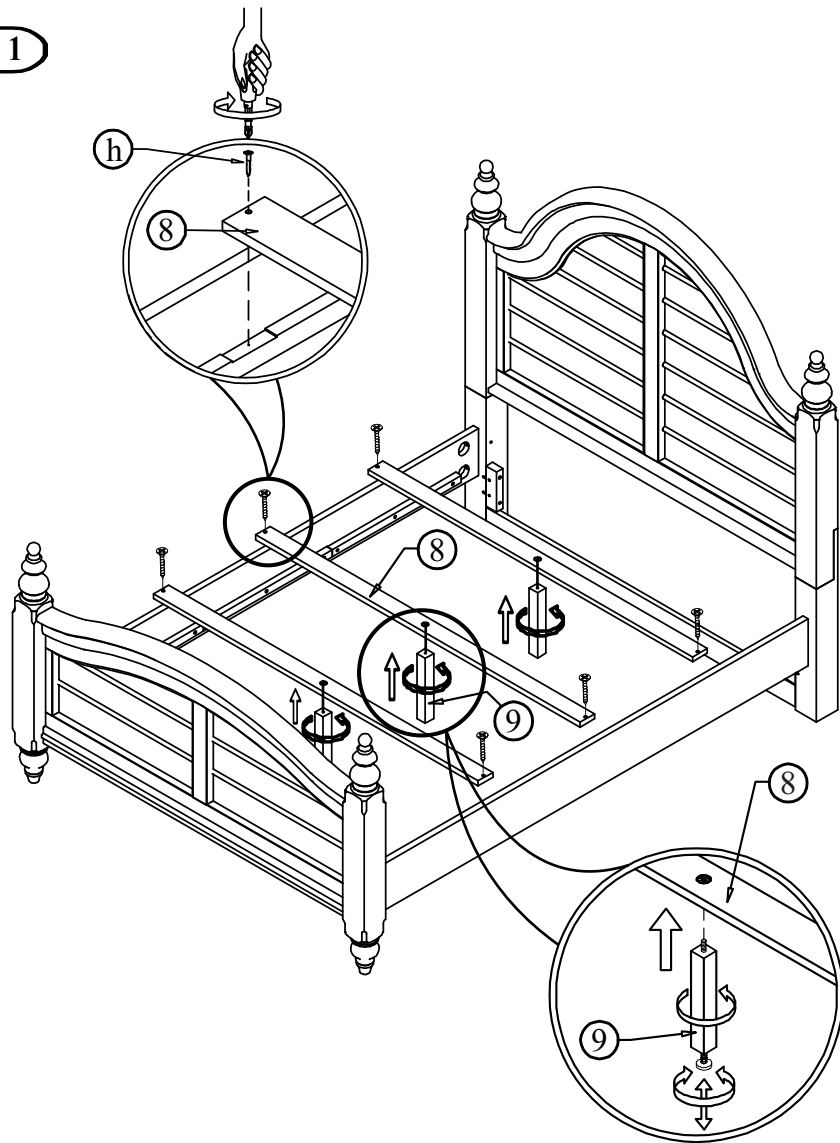
STEP - 3 Option 1



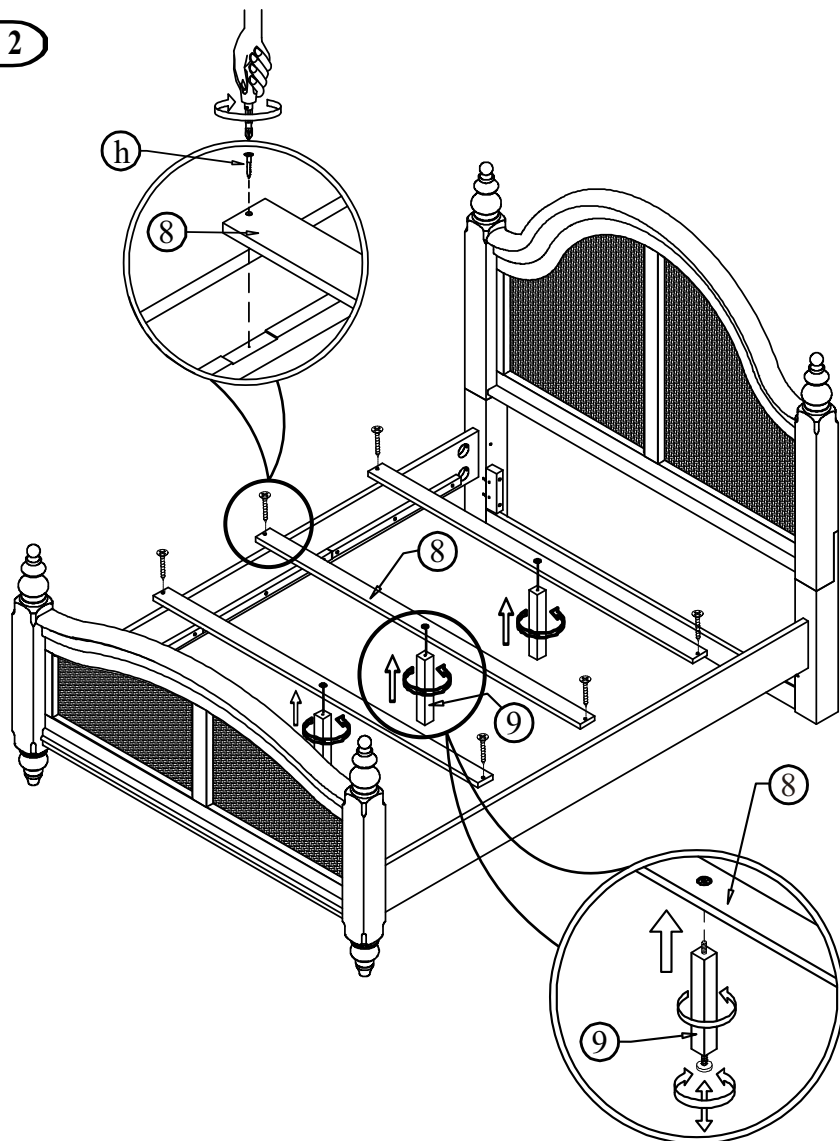
STEP - 3 Option 2



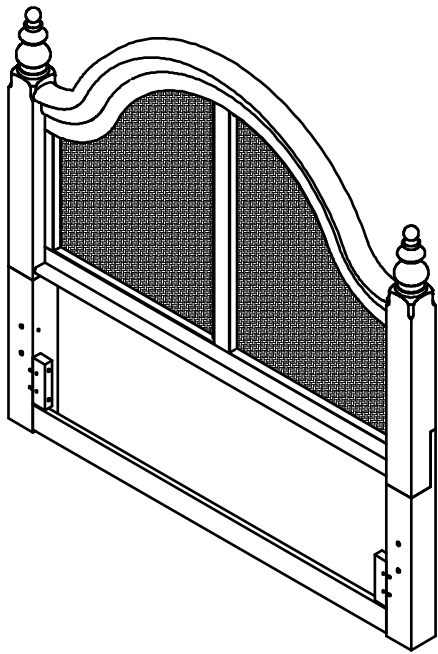
STEP - 4 Option 1



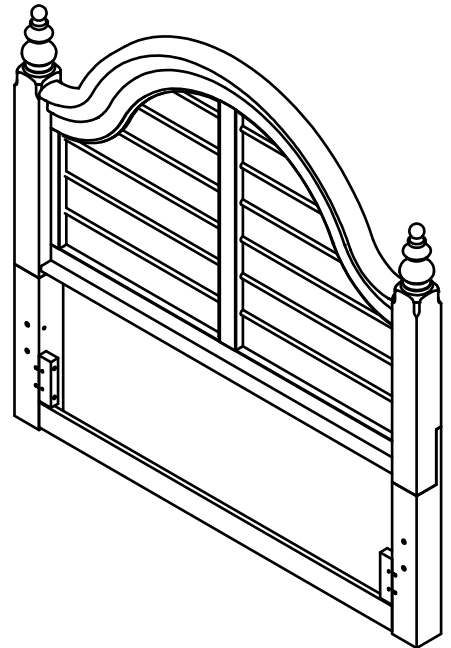
STEP - 4 Option 2



CARTON 1

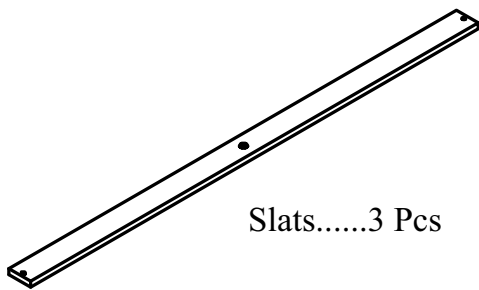


5/0 Poster Woven Headboard.....1 Pc



5/0 Poster Headboard.....1 Pc

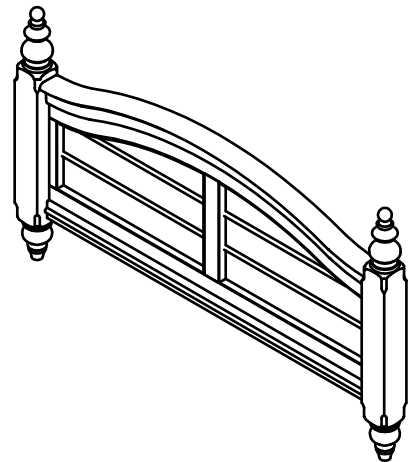
CARTON 2



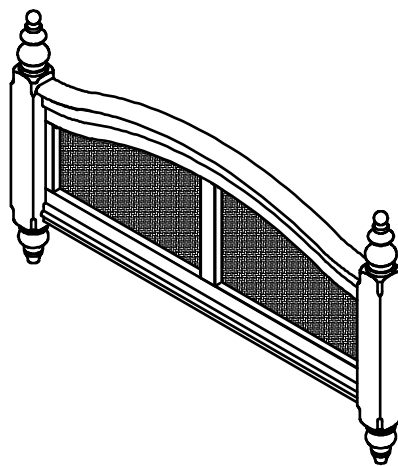
Slats.....3 Pcs



Slats Support.....3 Pcs

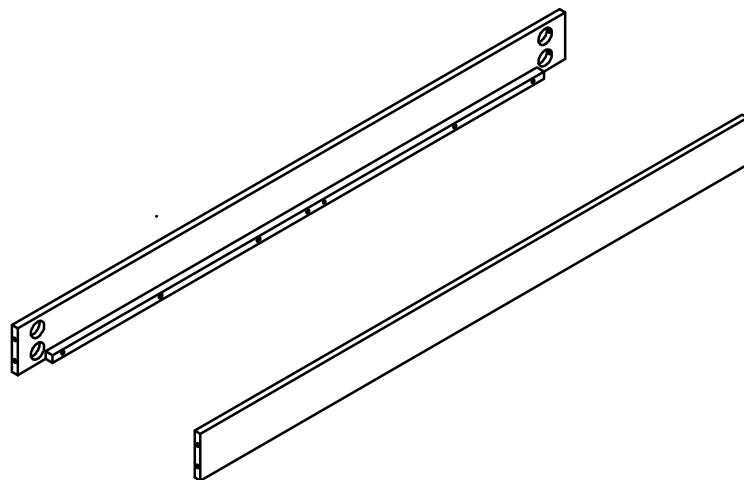


5/0 Poster Footboard.....1 Pc



5/0 Poster Woven Footboard.....1 Pc

CARTON 3



5/0 6/6 Rails.....2 Pcs