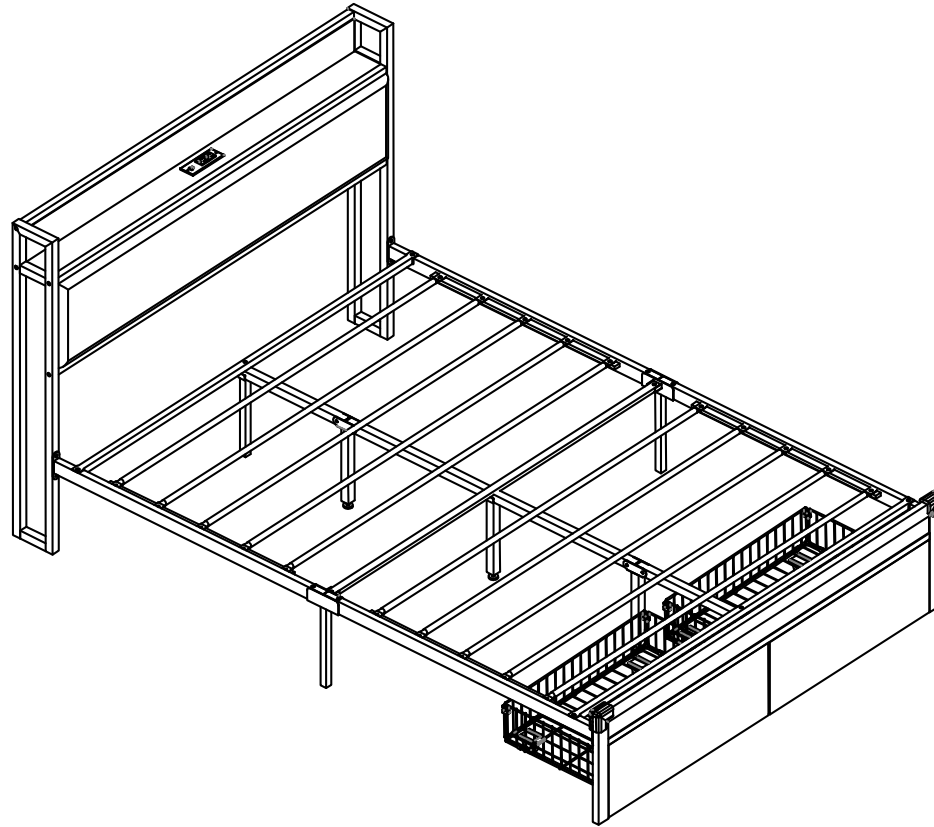
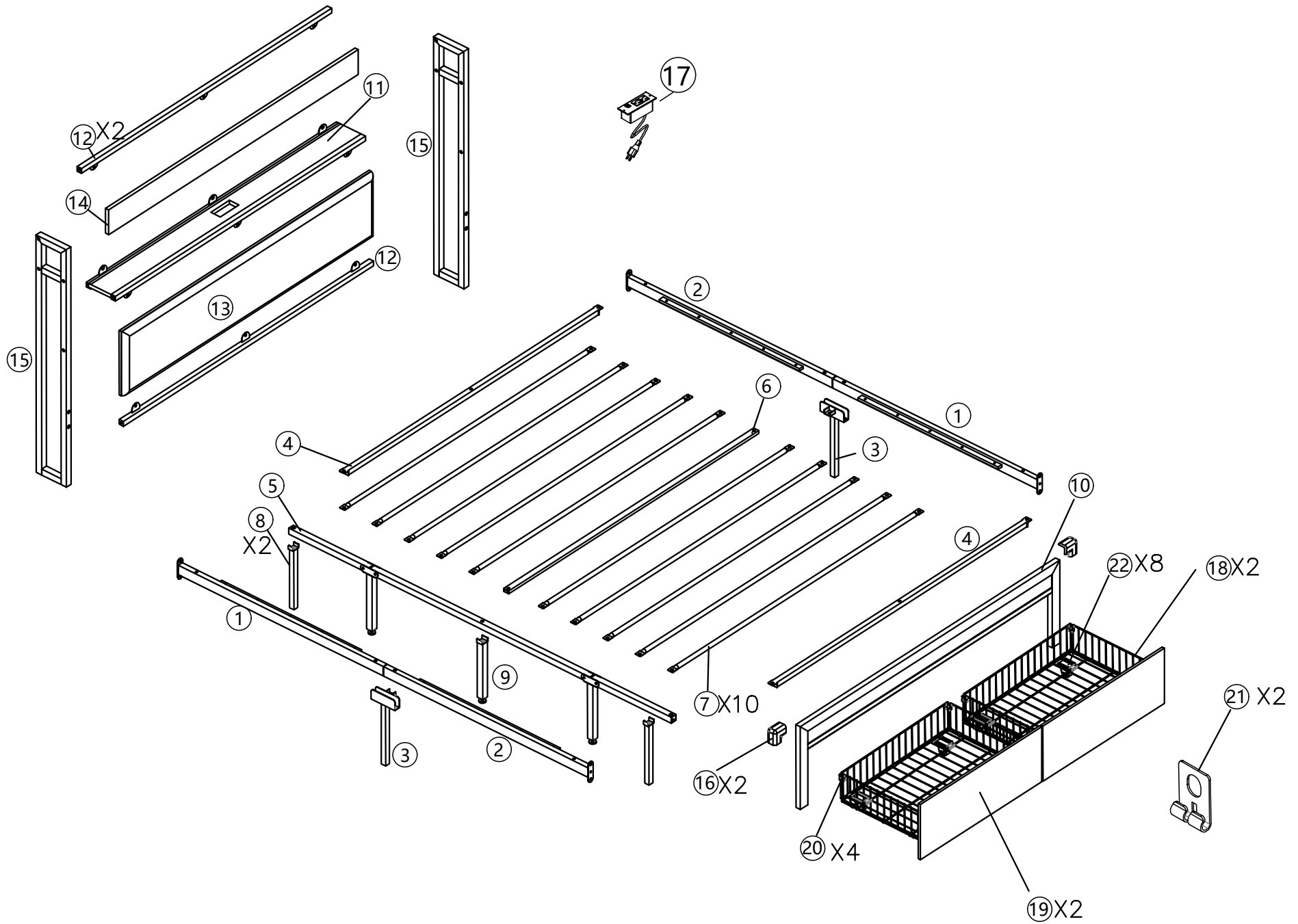


# Assembly Instruction



**Attention: Please don't tighten the screws completely and go back later for a final tightening of all the screws after pieces are aligned with each other. If the screws are tightened initially, subsequent hole positions may be misaligned.**



# Hardware arts



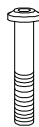
M6\*12

Ⓐ 22PCS



M6\*15

Ⓑ 20PCS



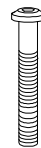
M6\*45

Ⓒ 8PCS



M8\*20

Ⓓ 14PCS



M8\*55

Ⓔ 7PCS



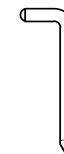
M4\*16

Ⓕ 2PCS



4#

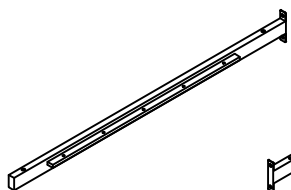
Ⓖ 1PC



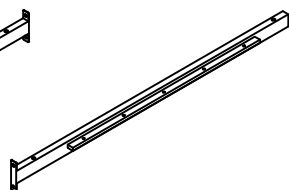
5#

Ⓗ 1PC

# Part list



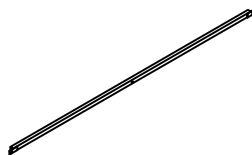
① 2PCS



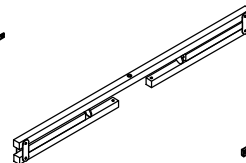
② 2PCS



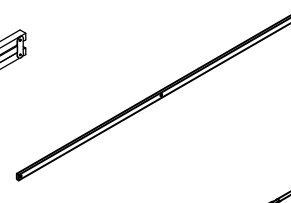
③ 2PCS



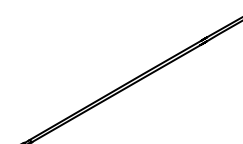
④ 2PCS



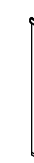
⑤ 1PC



⑥ 1PC



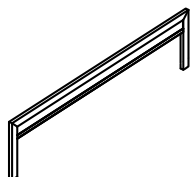
⑦ 10PCS



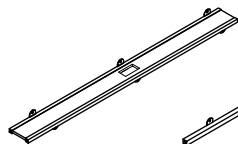
⑧ 2PCS



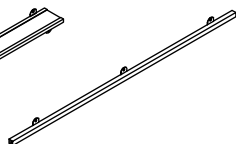
⑨ 1PC



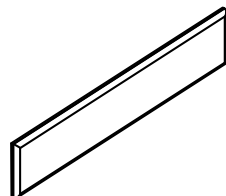
⑩ 1PC



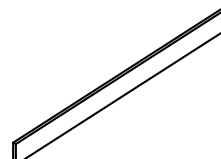
⑪ 1PC



⑫ 2PCS



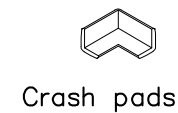
⑬ 1PC



⑭ 1PC



⑮ 2PCS

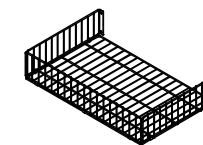


Crash pads

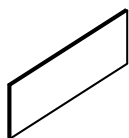
⑯ 2PCS



⑰ 1PC



⑱ 2PCS



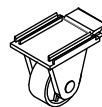
⑲ 2PCS



⑳ 4PCS

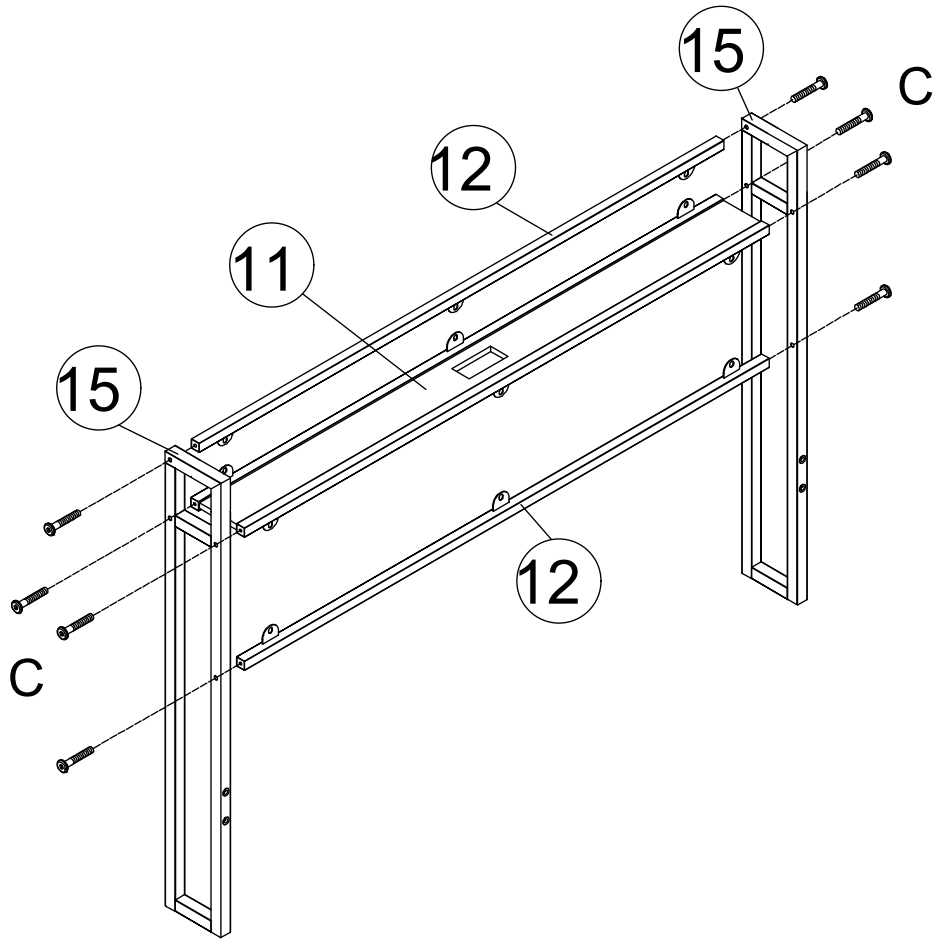
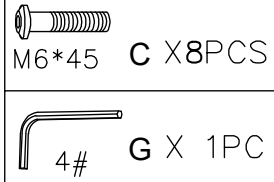


㉑ 2PCS

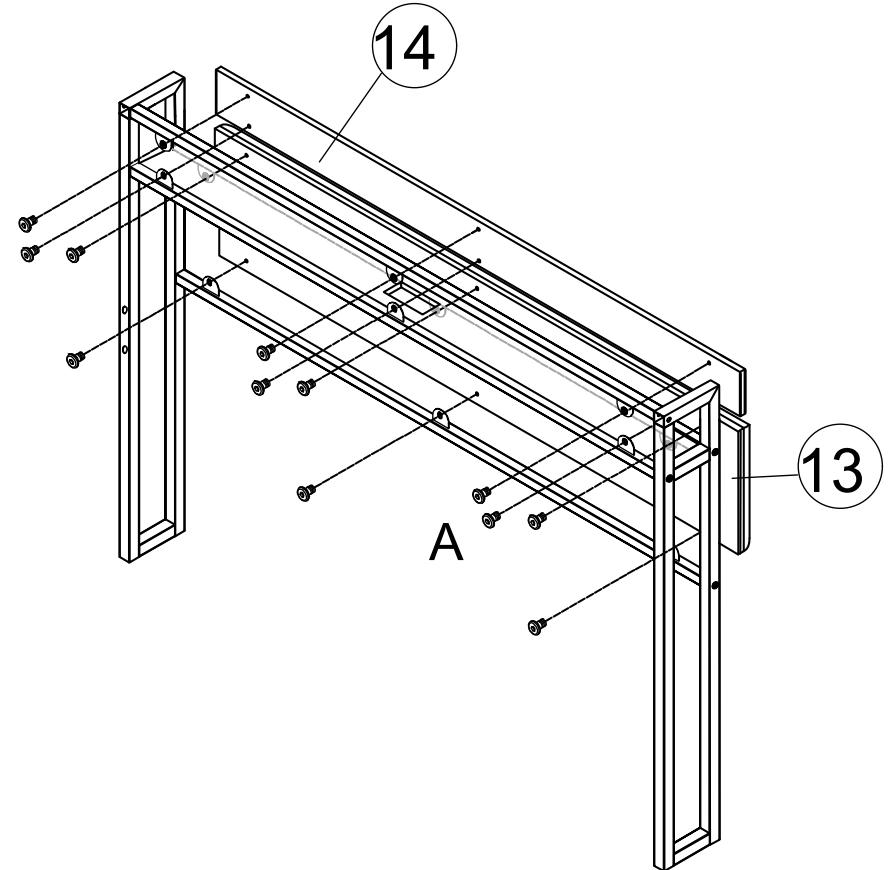
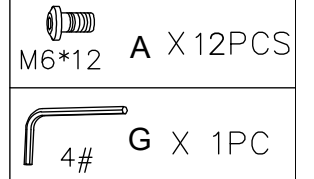


㉒ 8PCS

Step: 1



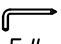
Step: 2



**Please don't tighten the screws completely and go back later for a final tightening of all the screws after pieces are aligned with each other.**

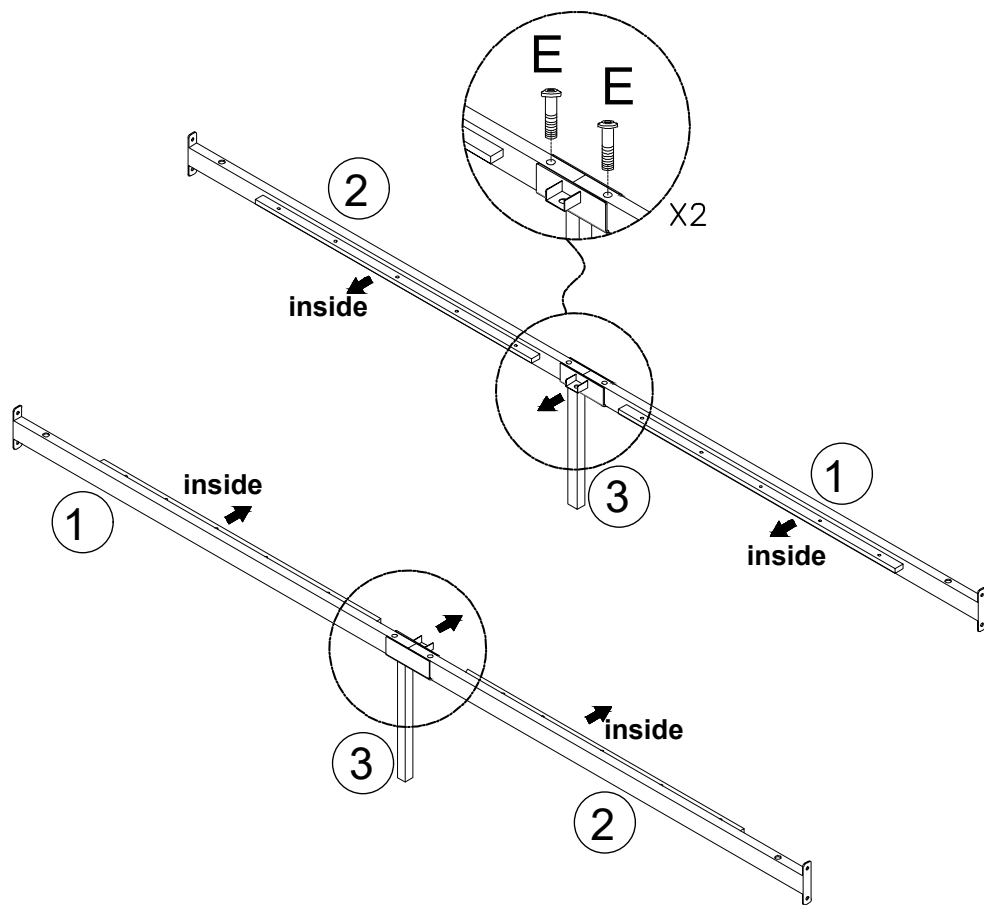
Step: 3

 E X 4PCS  
M8\*55

 H X 1PC  
5#




Please pay attention to the direction arrow in the illustration to avoid reverse installation



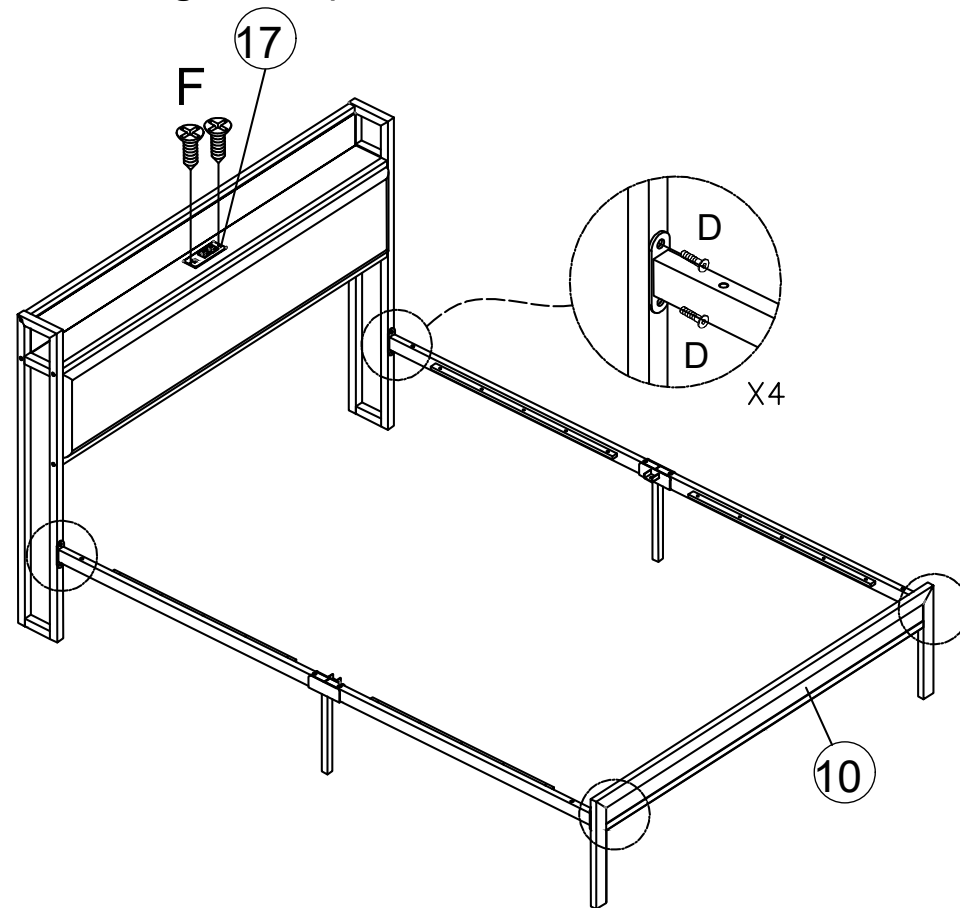
Step: 4

 F X 2PCS  
M4\*16

 D X 8PCS  
M8\*20

 H X 1PC  
5#

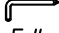
No pre-drilled holes in board!!  
Please directly screw F  
(self-drilling screws) into the board

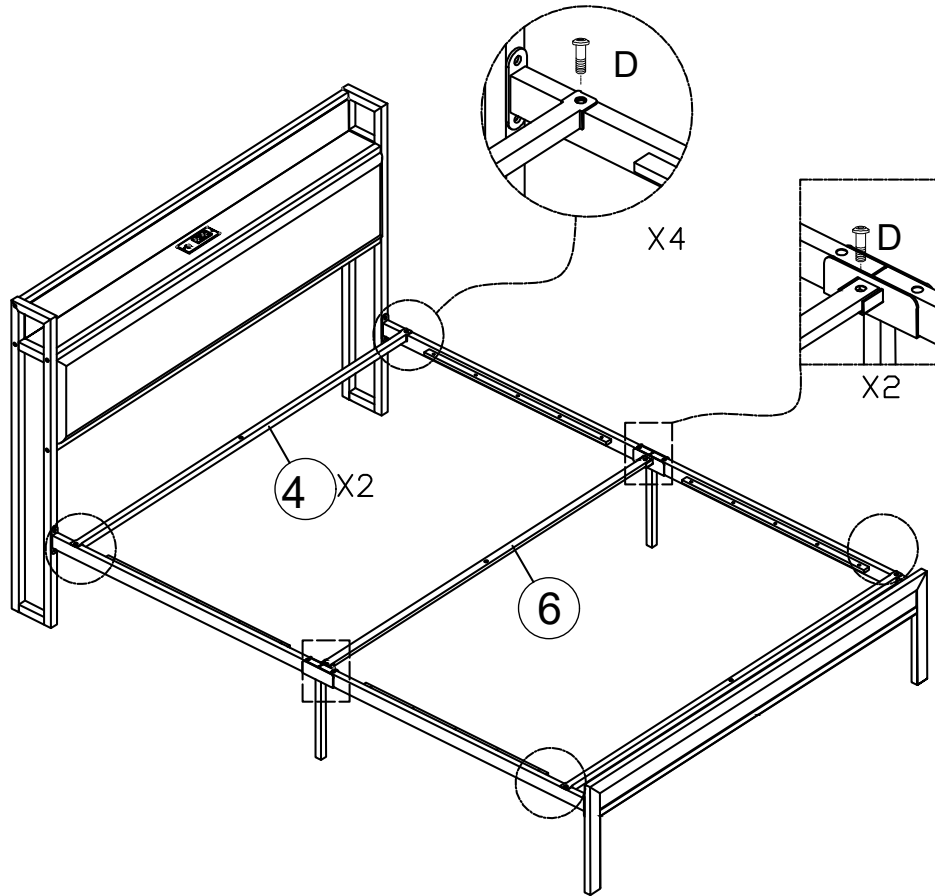


Please don't tighten the screws completely and go back later for a final tightening of all the screws after pieces are aligned with each other.

Step: 5


 D X6PCS  
M8\*20

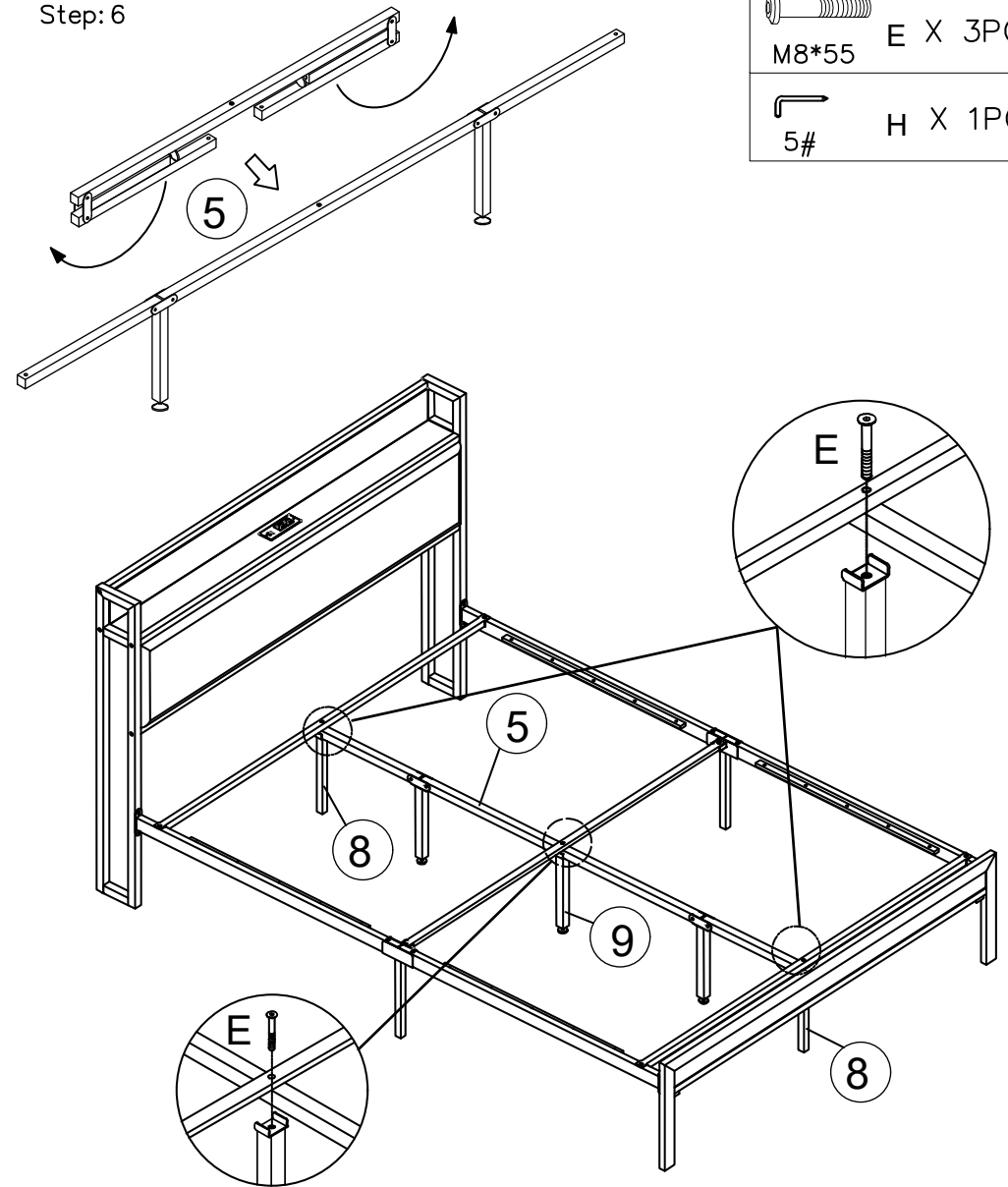
 5# X 1PC  
H



Step: 6

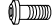
 E X 3PCS  
M8\*55


 5# X 1PC  
H

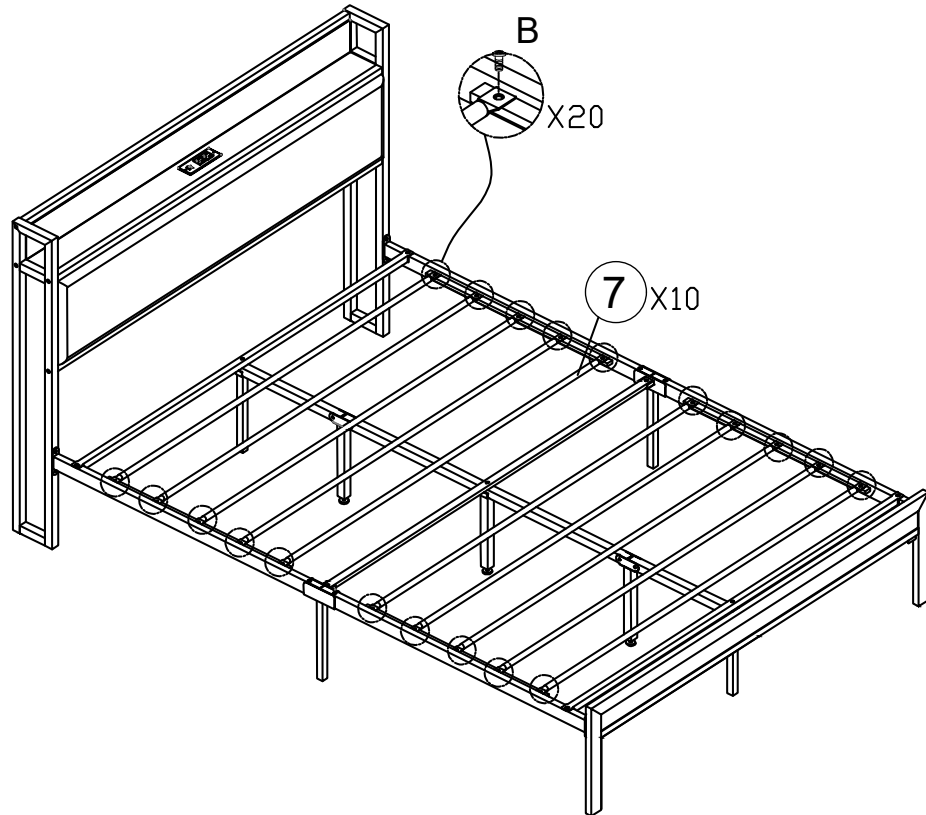


**Please don't tighten the screws completely and go back later for a final tightening of all the screws after pieces are aligned with each other.**

Step: 7

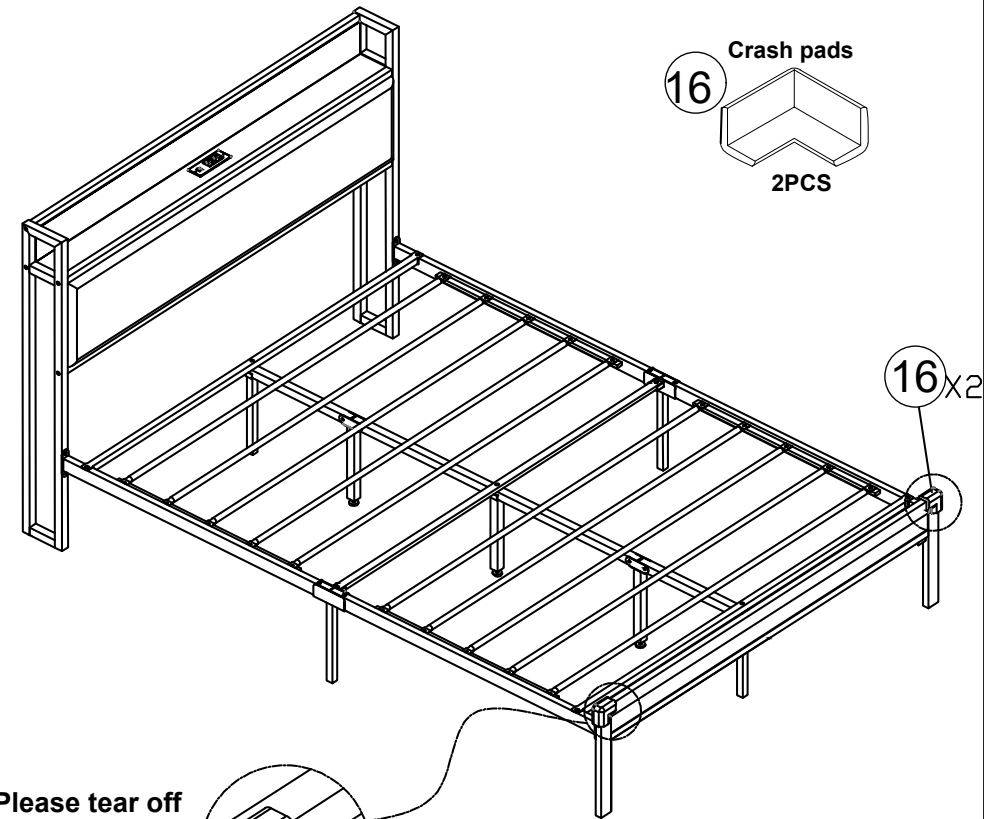
 M6\*15 B X 20PCS

 G X 1PC  
4#



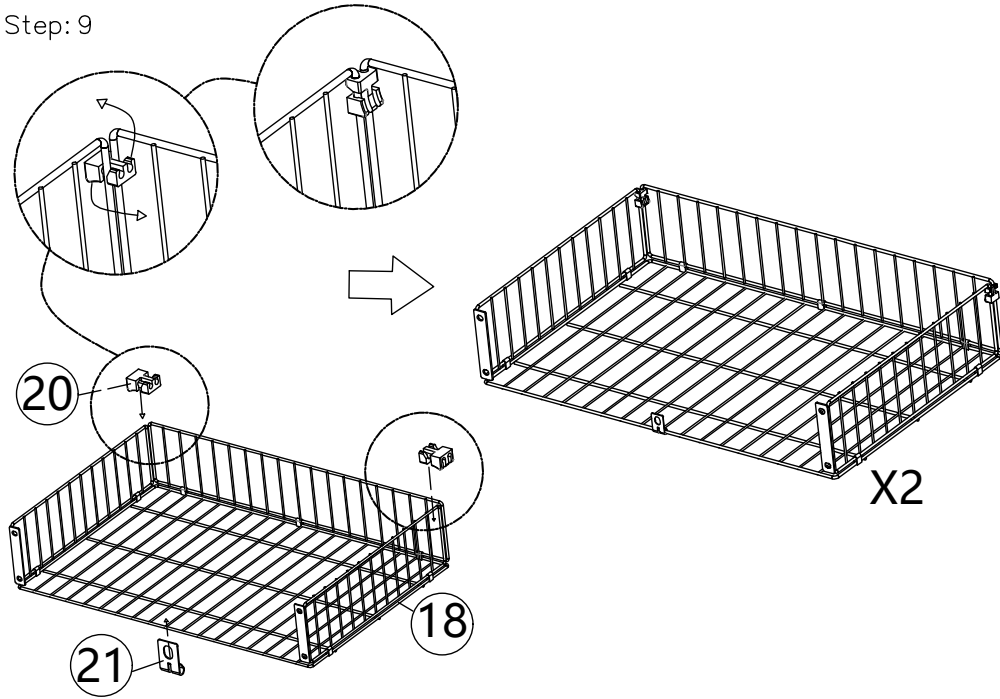
Step: 8

**There is a small sealing pocket in the package.  
There are two crash pads in the sealing pocket.  
As shown in the figure below.**

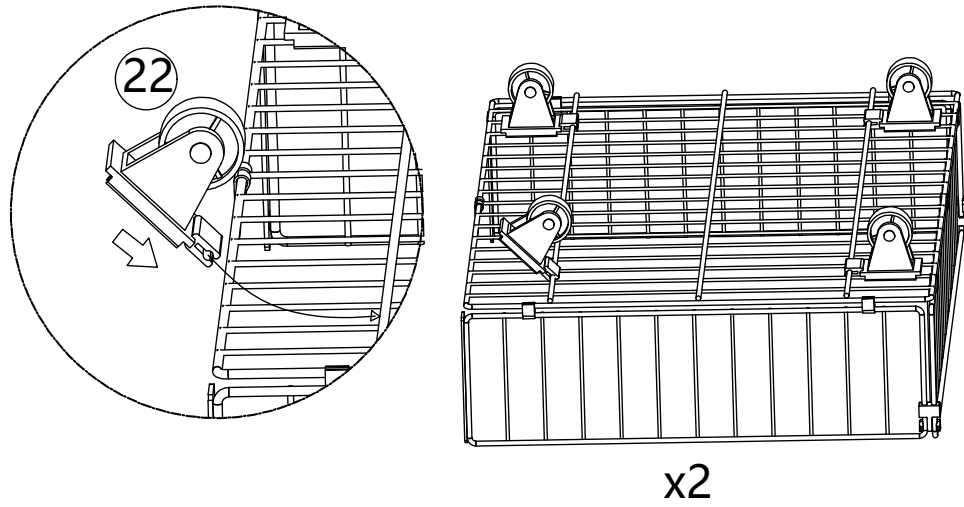


**Please tear off  
the surface  
anti sticking  
sheet and stick  
the  
anti-collision  
cushion on it**

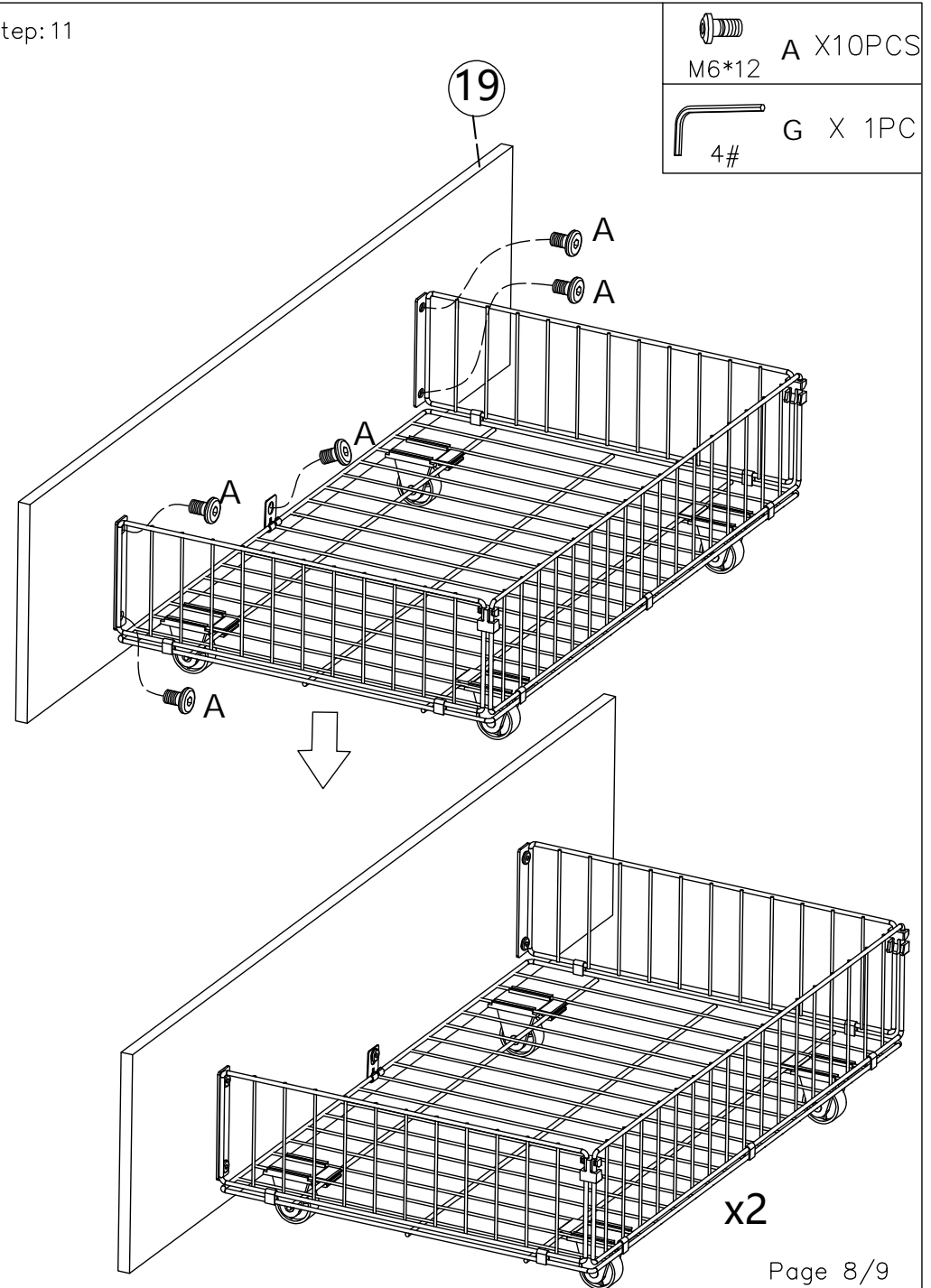
Step: 9



Step: 10



Step: 11



Step: 12

