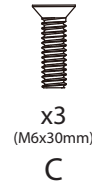
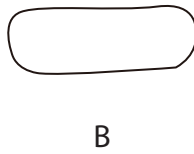


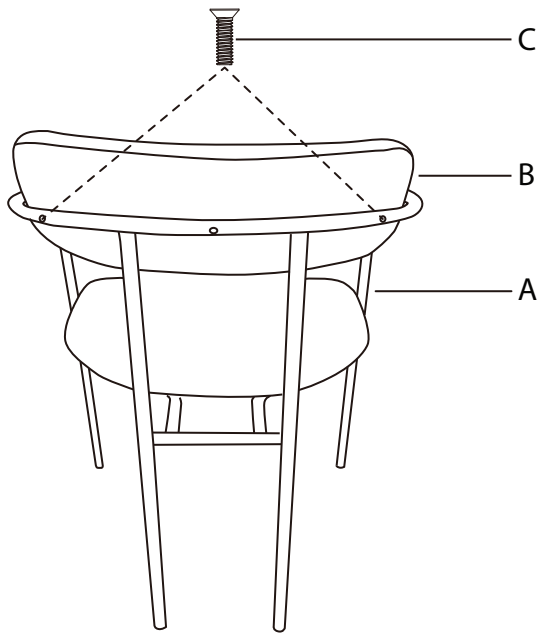
Arm Chair

Assembly Instructions
Instrucciones De Asamblea
Instructions d'Assemblée

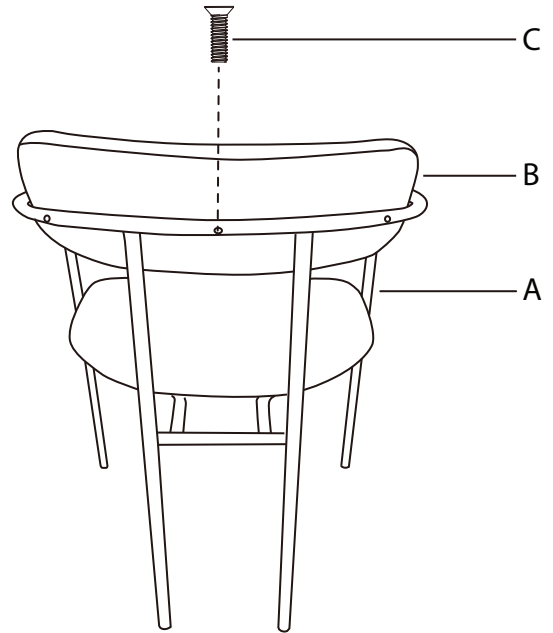
PARTS



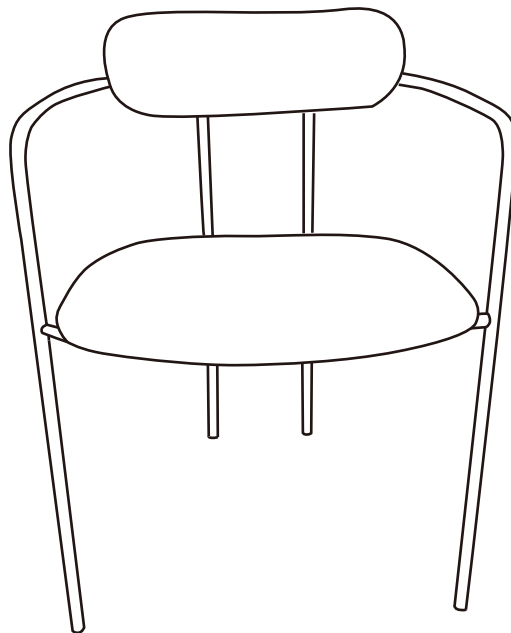
1



2



3



Do not over tighten.
Do not use power tools to assemble.