

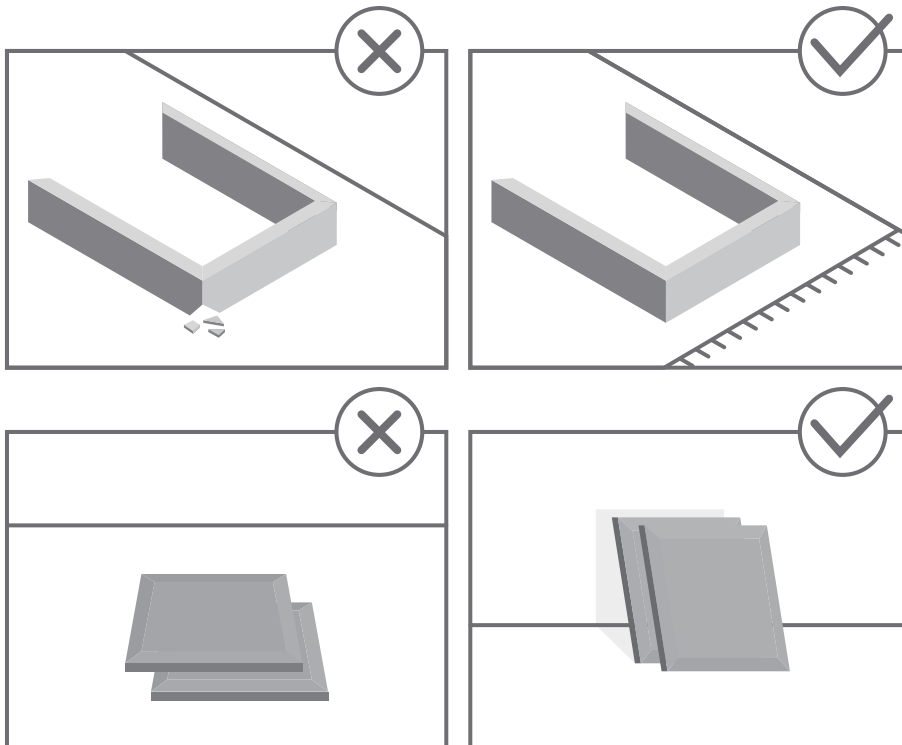


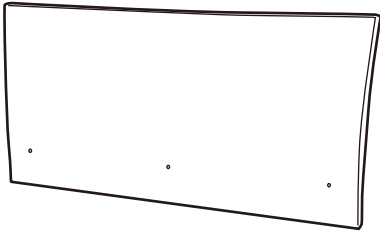
STOP!

Before beginning the assembly process, ensure all boxes and parts have been delivered.

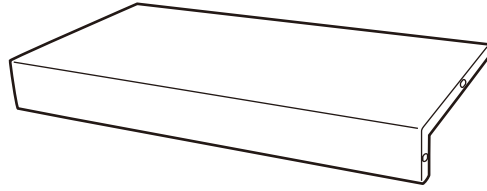
FOR BEST RESULTS:

- Do not throw away packaging materials until assembly is complete.
- Assemble item on a soft surface, such as cardboard or carpet, to protect finish.
- Proper assembly requires two people.

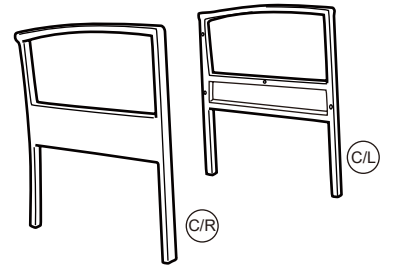




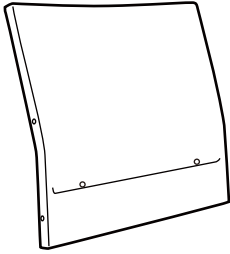
Ⓐ Backrest 1x



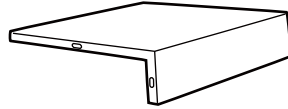
Ⓑ Seat 1x



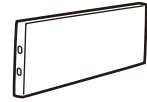
Ⓒ Leg Set 3x



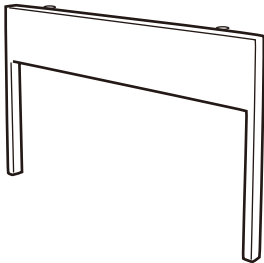
Ⓓ Backrest 2x



Ⓔ Seat 2x



Ⓕ Table Sides 2x



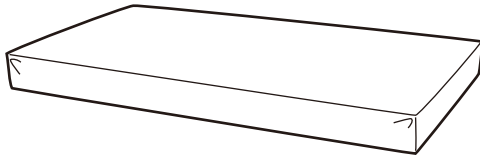
Ⓖ Table Legs 2x



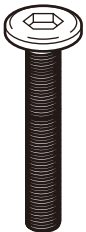
Ⓗ Glass 1x



Ⓜ Cushion 2x



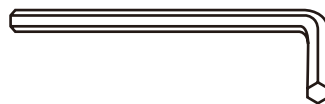
Ⓝ Cushion 1x



M6 x 40 Bolt 39x



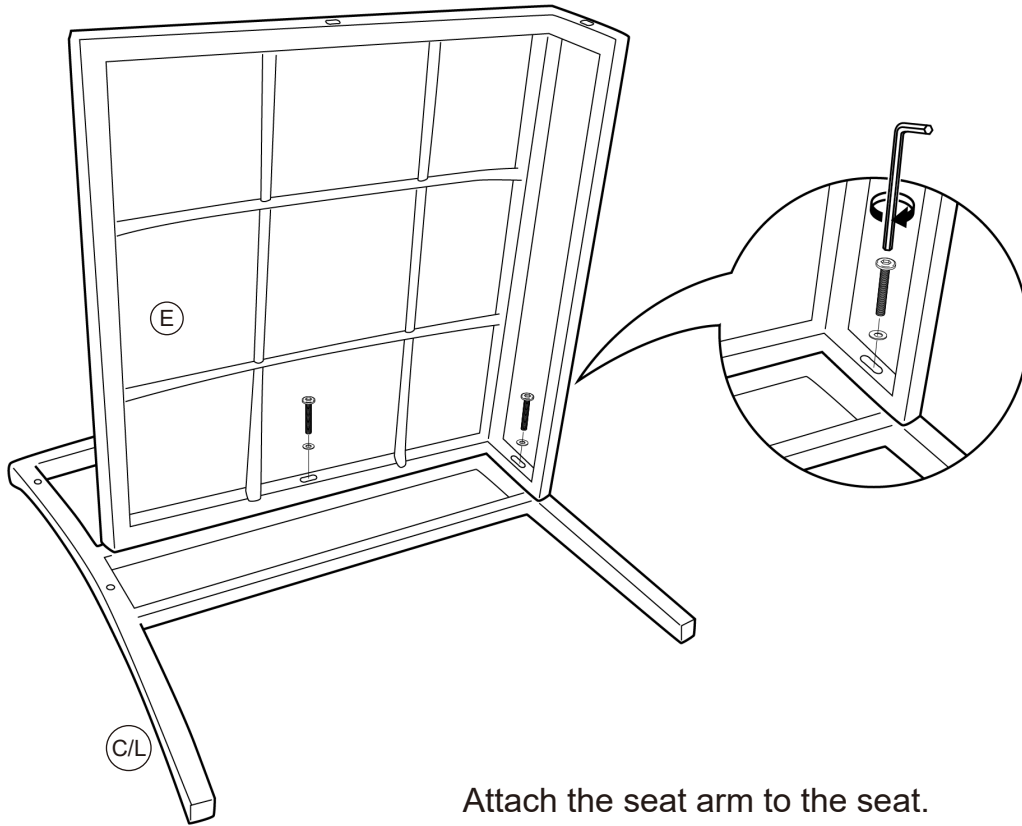
Washer Bolt 39x



Allen Key

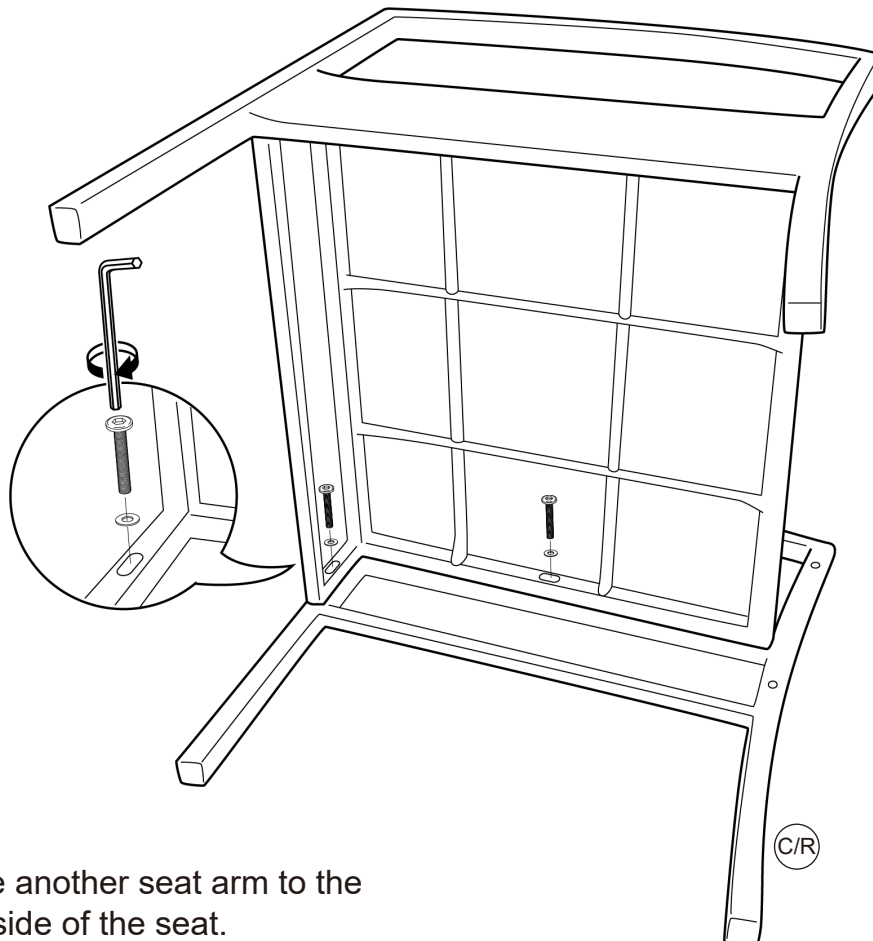
1

Do not fully tighten the bolts until all parts are assembled.



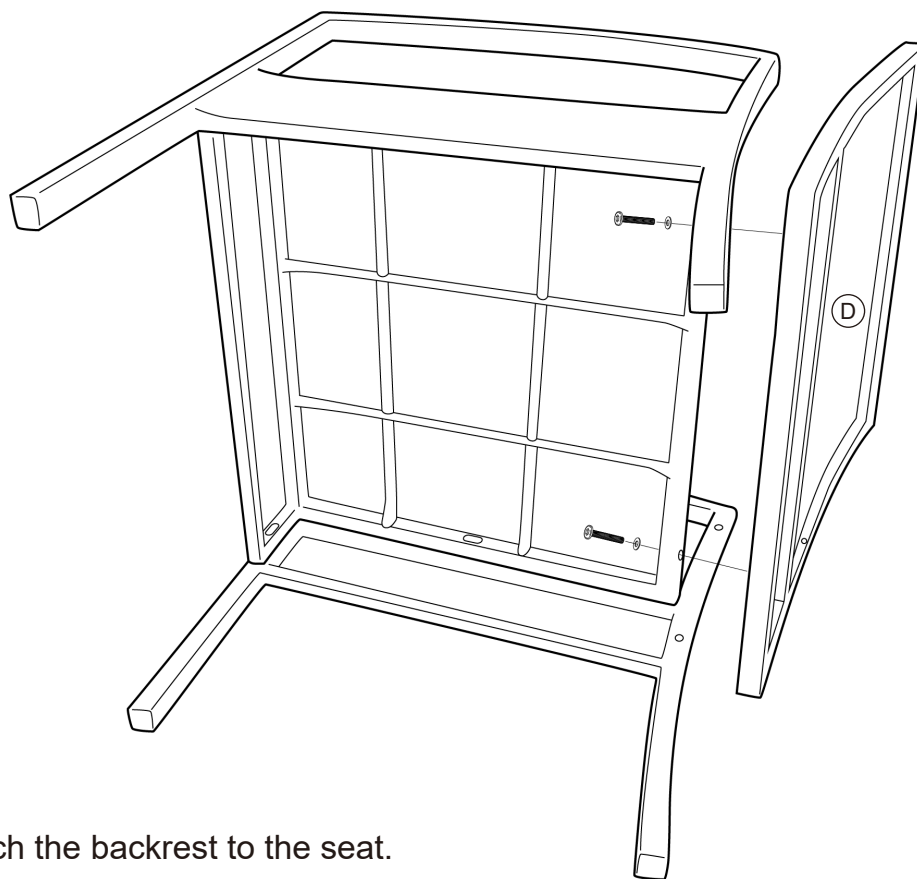
Attach the seat arm to the seat.

2



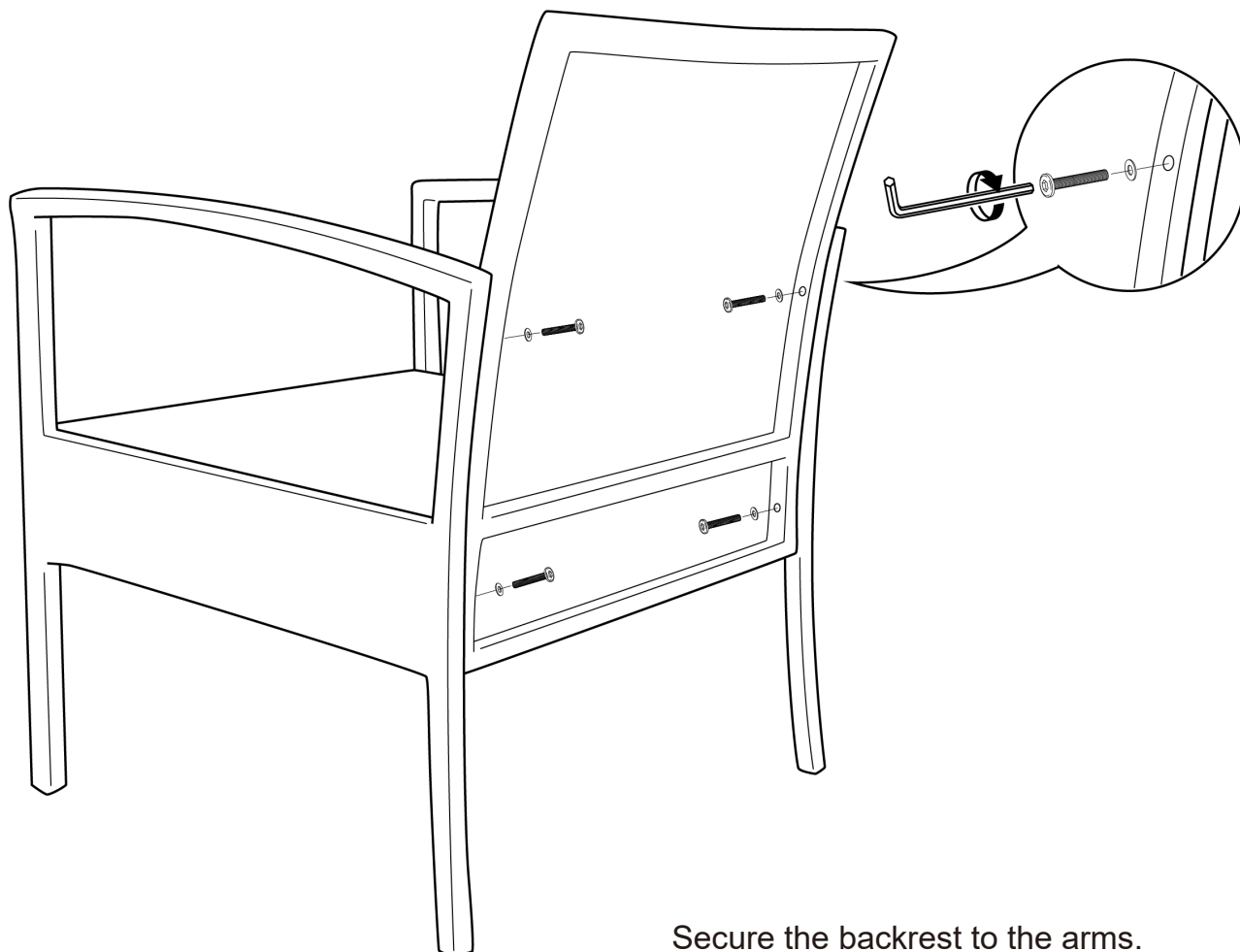
Attach the another seat arm to the opposite side of the seat.

3



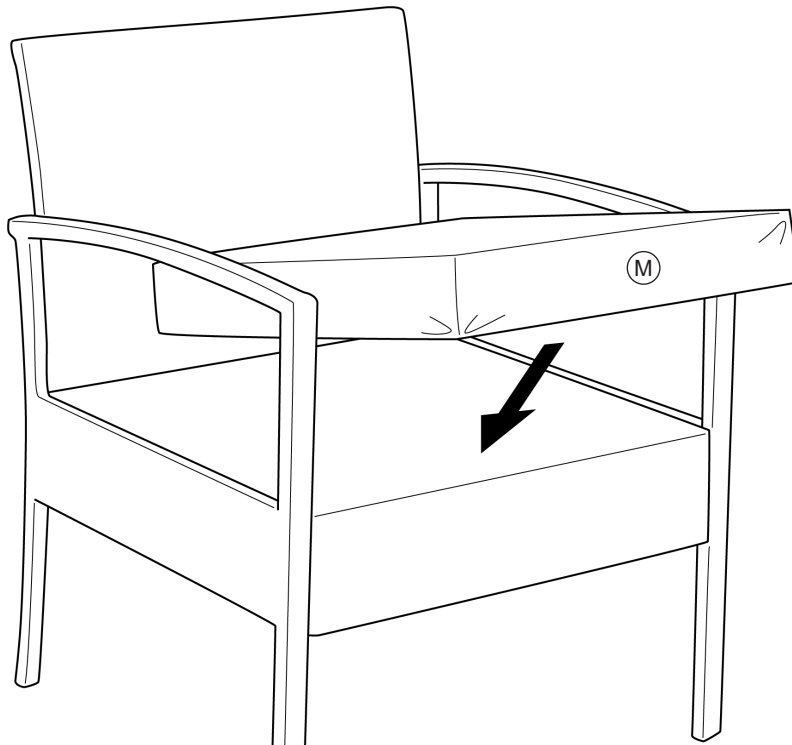
Attach the backrest to the seat.

4



Secure the backrest to the arms.

5



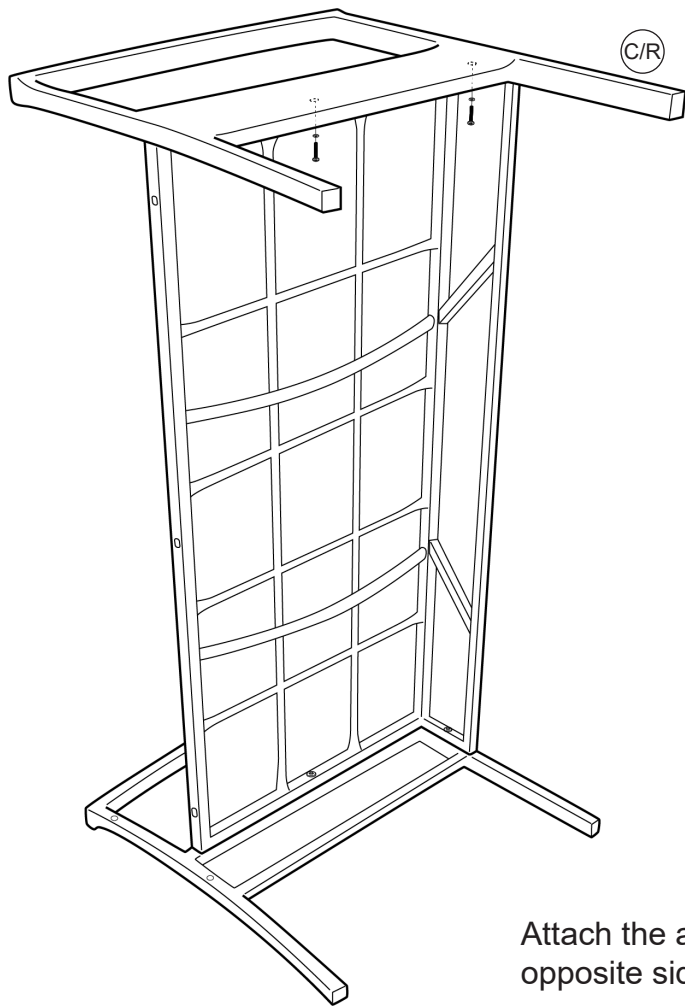
Make sure the unit is leveled on the ground, then tighten all bolt and put on the cushion. Repeat the same step for the other chair.

6



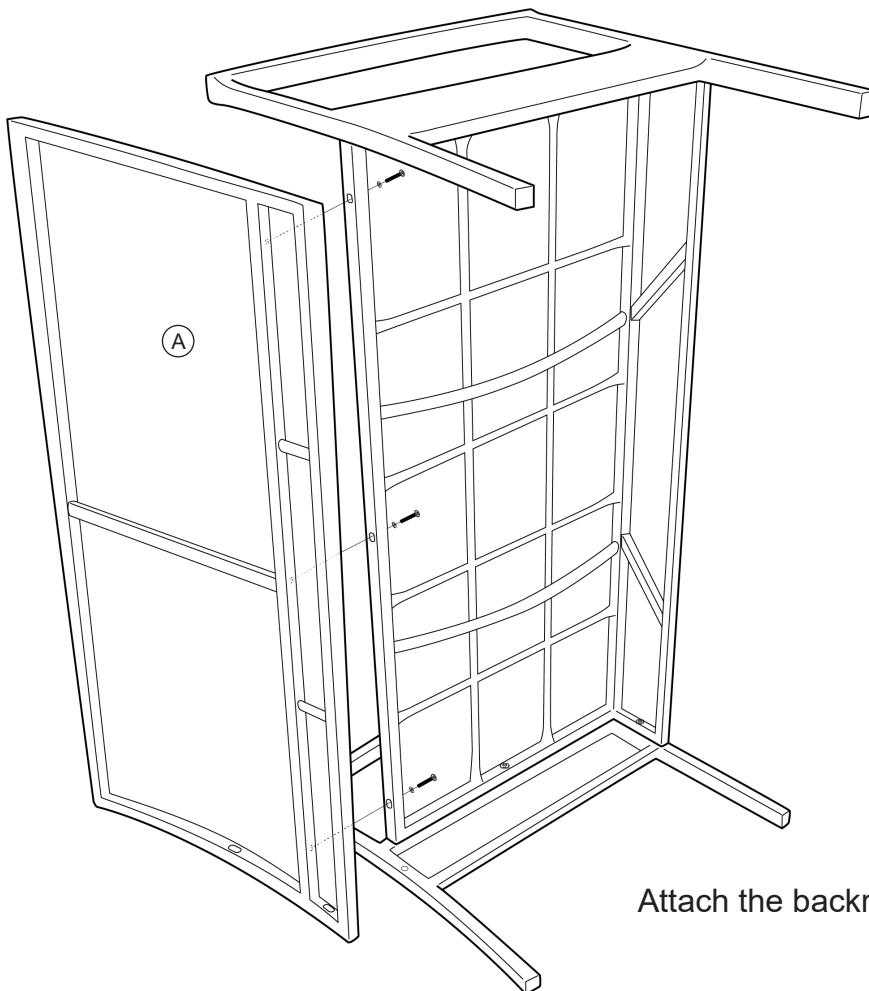
Attach the seat arm to the seat.
Do not fully tighten the bolts until all parts are assembled.

7



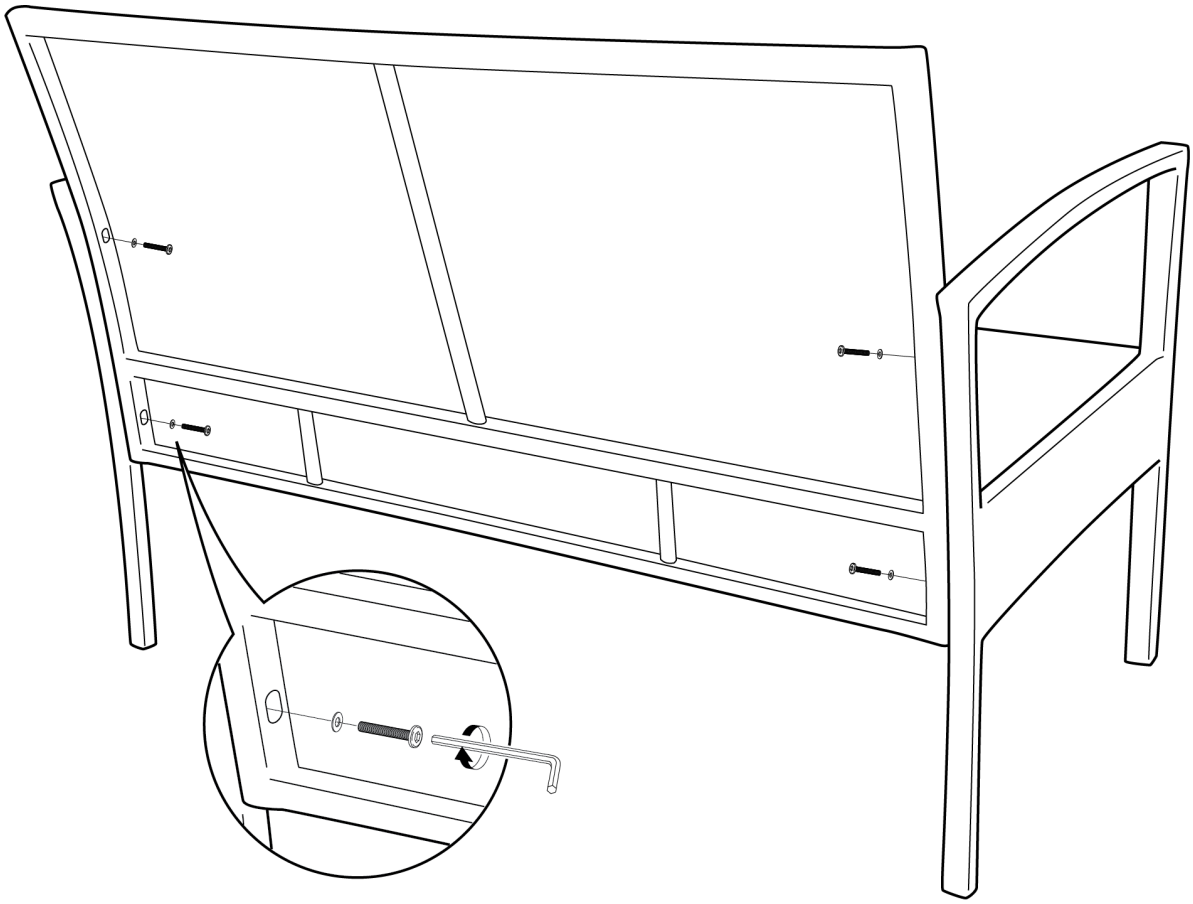
Attach the another seat arm to the opposite side of the seat.

8



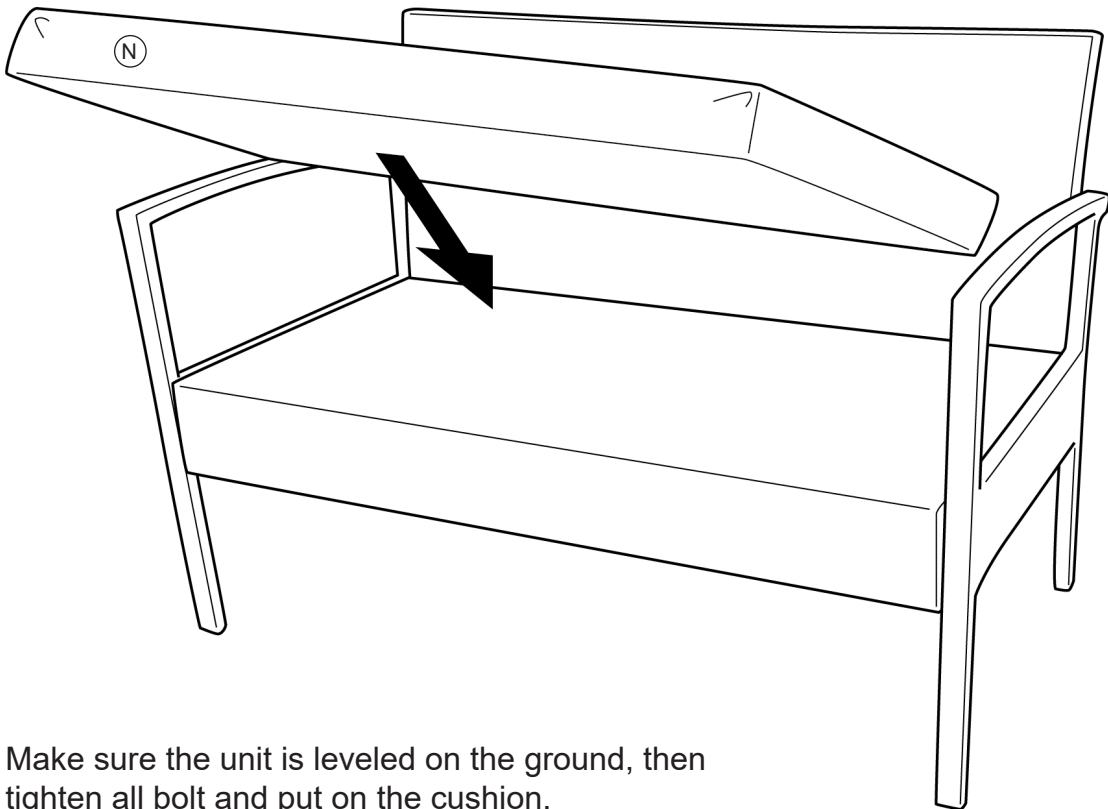
Attach the backrest to the seat.

9



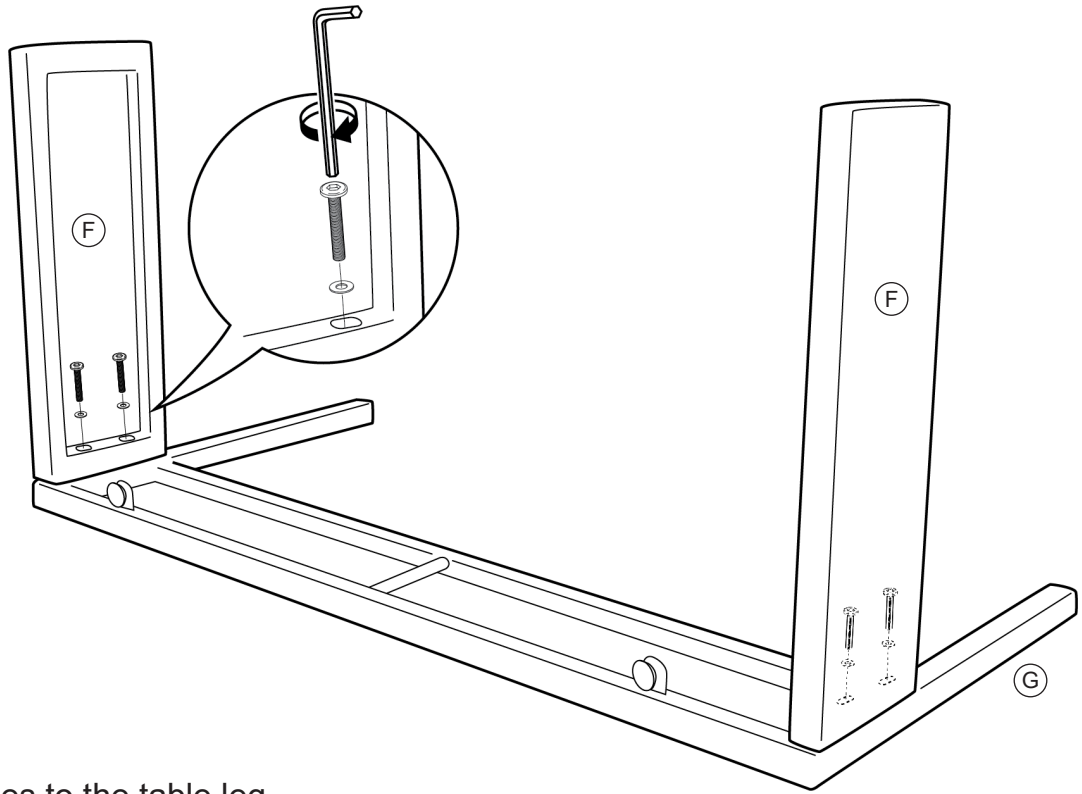
Secure the backrest to the arms.

10



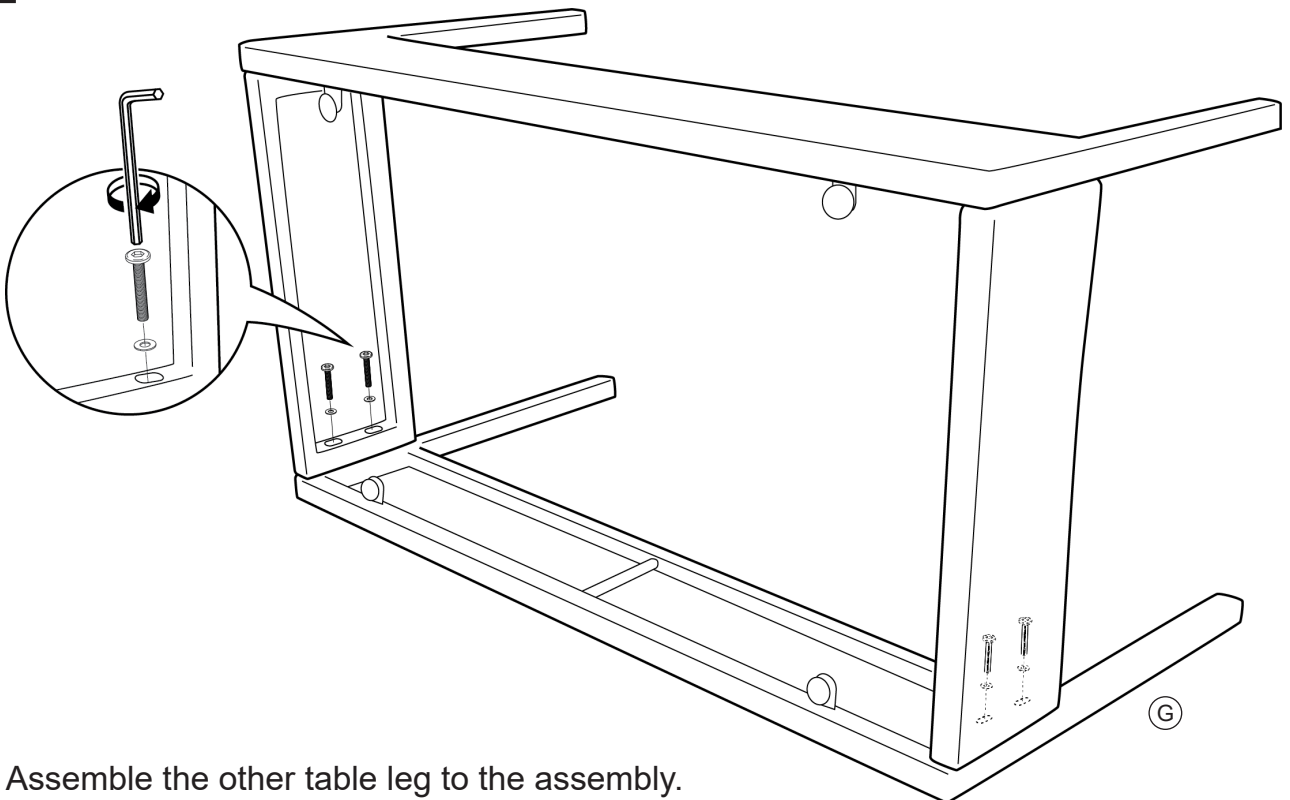
Make sure the unit is leveled on the ground, then tighten all bolt and put on the cushion.

11



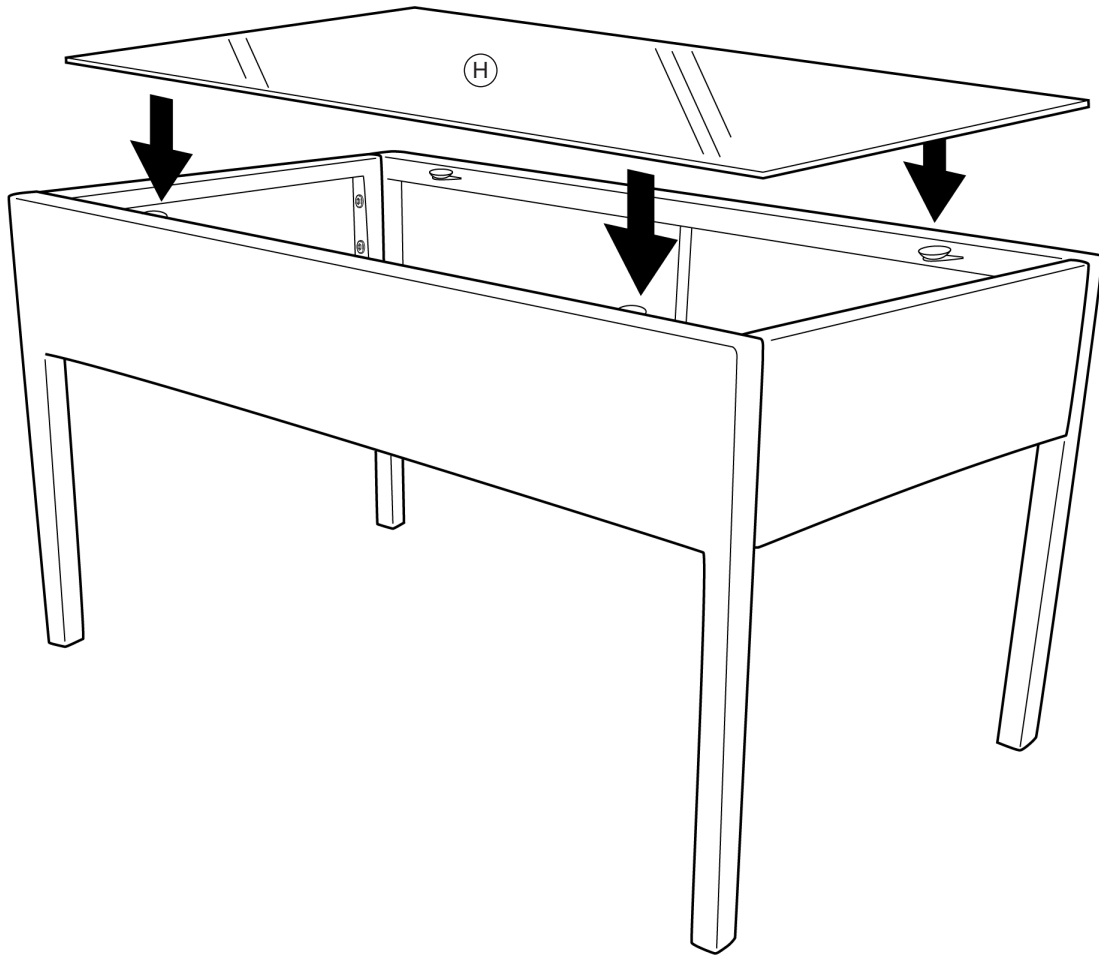
Attach the sides to the table leg.
Do not fully tighten the bolts
until all parts are assembled.

12



Assemble the other table leg to the assembly.

13



Make sure the unit is leveled on the ground, then tighten all bolt and align the table glass to the suction cups on the table leg, and put on the glass.

FINISH!

WARRANTY POLICY

All furniture products are warranted, to the original purchaser at the time of purchase and for a period of 30 days thereafter.

Our warranty is limited to new products purchased in factory sealed cartons. T

In order to provide you with timely assistance, please thoroughly inspect your furniture for missing or defective parts immediately after opening the carton.

We offers a 30-day parts replacement warranty on all items.

Our furniture products are not intended for outdoor use.

THE WARRANTY DOES NOT COVER:

- Defects/damages by improper assembly or disassembly.
- Defects/damages caused by shipping. Claims for damage during transit should be placed immediately to the transportation company.
- Defects/damages caused by inappropriate use of the furniture.