





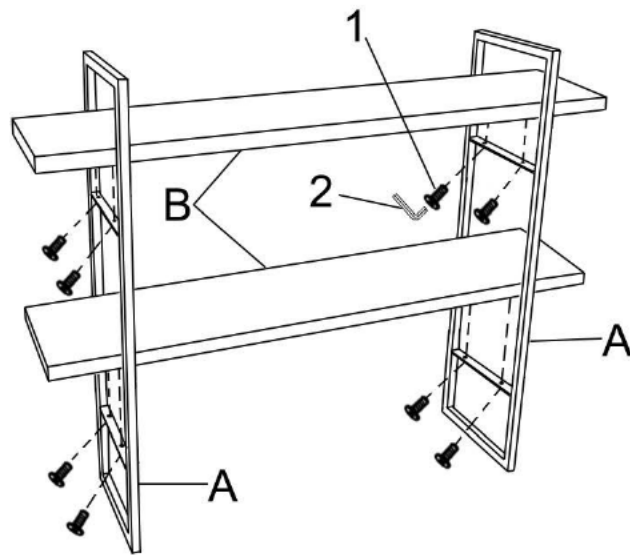
ASSEMBLY INSTRUCTIONS

Parts required

1		Bolt	Φ6*12MM	8pcs
2		Allen wrench		1pc

A		2pcs
B		2pcs

1.



2.

