

ASSEMBLY INSTRUCTIONS

ITEM NO: BO-3136TB

CAREFULLY PLACE ALL PARTS ON A SMOOTH SURFACE AND LAY THEM UP PER THE SKETCH BELOW.

1. SCREW THREAD (H) ONTO BASE (G), INSERT GLASS (F) INTO THREAD (G) AND SCREW COVER (E) TO TIGHTEN. IF COVER (E) IS NOT SECURELY SCREWED, TAKE OUT THE GLASS AND ADJUST THE NUT (K) ON THREAD (H) AND INSTALL THE GLASS/COVER AGAIN.

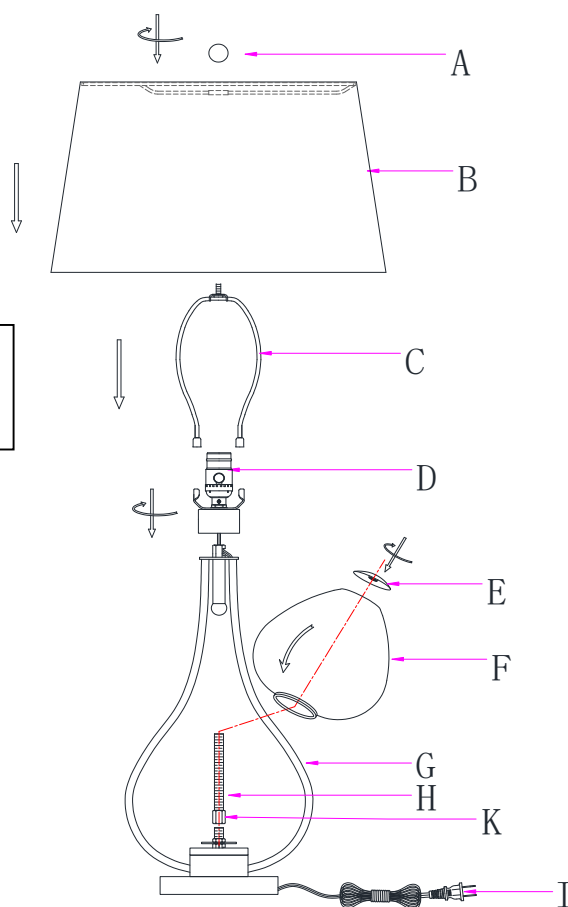
GLASS IS FRAGILE, TAKE WITH CARE!!!

2. INSERT HARP (C) ONTO SADDLE OF LIGHTING BODY (D).

3. PUT SHADE (B) ONTO HARP (C) AND TIGHTEN WITH FINIAL (A).

4. INSTALL RECOMMENDED TYPE A LIGHT BULB (NOT INCLUDED IN THIS PACKAGE)..

5. INSERT THE PLUG (I) INTO AN OUTLET.



Use Max 100W type A bulb (bulbs not included) and 2W LED Bulb (bulb included)

ENJOY YOUR LAMP!!

** TO REDUCE THE RISK OF ELECTRIC SHOCK, ALWAYS UNPLUG FROM THE ELECTRICAL OUTLET BEFORE INSTALLATION.*

** THIS FIXTURE IS SUITABLE FOR DRY LOCATION ONLY.*

** THIS FIXTURE SHOULD ONLY BE CLEANED WITH A SOFT LINT FREE CLOTH DAMPLED WITH WATER. DO NOT USE ANY CHEMICAL OR ABUSIVE CLEANER AS THEY MAY DAMAGE THE SURFACE OF THE PRODUCTS.*

THIS PORTABLE LAMP HAS A POLARIZED PLUG (ONE BLADE IS WIDER THAN THE OTHER) AS A SAFETY FEATURE TO REDUCE THE RISK OF ELECTRIC SHOCK. THIS PLUG WILL FIT IN A POLARIZED OUTLET ONLY ONE WAY. IF IT DOES NOT FIT FULLY IN THE OUTLET, REVERSE THE PLUG. IF IT STILL DOES NOT FIT, CONTACT A QUALIFIED ELECTRICIAN. NEVER USE WITH AN EXTENSION CORD UNLESS THE PLUG CAN BE FULLY AND EASILY INSERTED. DO NOT ATTEMPT TO ALTER THE PLUG.

SAVE THESE INSTRUCTIONS FOR FUTURE REFERENCE.