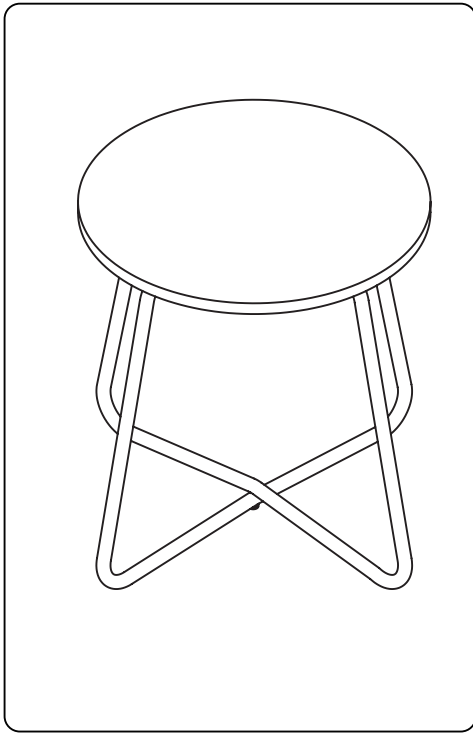


Assembly Instructions



Components		
A	A circular seat with four small holes arranged in a square pattern on its surface.	1
B	A rectangular metal frame with rounded corners and a small notch on one side.	1
C	A rectangular metal frame with rounded corners and a small notch on one side.	1

Screws & Tools		
D	A standard screw with a Phillips head.	8
E	A standard screw with a Phillips head.	1
F	A flat washer with a central hole.	4
G	An L-shaped hex key.	1

Assembly Instructions

