



# SLAT KIT QUEEN OR KING

## ASSEMBLY INSTRUCTION ( QUEEN, KING )

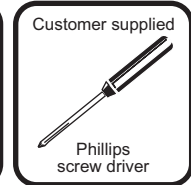
Before assembling your bed slat kit, please read through these instructions carefully and familiarize yourself with the different parts.  
Please note that you will require a Phillips screwdriver and an Allen wrench.

### PARTS LIST

01	SLAT SECTION	2 SET
02	SUPPORT RAIL	2 PCS
03	TALL SUPPORT LEG	4 PCS
04	SHORT SUPPORT LEG	4 PCS

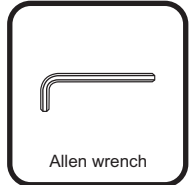


Adult assembly



Customer supplied

Phillips screw driver



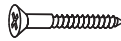
Allen wrench

NOTE: WE INCLUDE SPARE HARDWARE IN CASE THE ALLEN WRENCH, ALLEN SCREW, OR WOOD SCREWS ARE DAMAGED DURING ASSEMBLY.

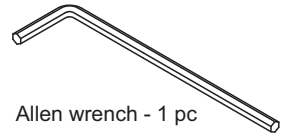
### HARDWARE



A 1 1/2" Allen screw - 8 pcs  
Spare - 1 pc



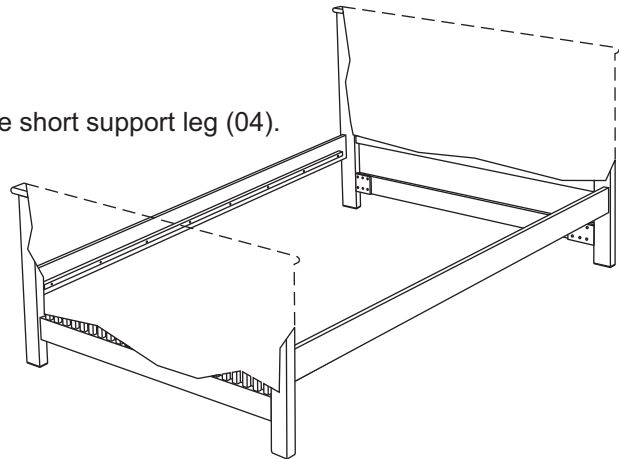
B 1 1/4" Wood screw - 8 pcs  
Spare - 2 pcs



C Allen wrench - 1 pc  
Spare - 1 pc

### Step 1

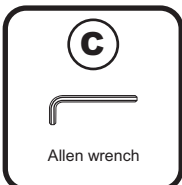
Assemble bed frame according to assembly instructions.  
If using mattress and foundation set the bed up low and use short support leg (04).  
If using storage drawers choose the tall support leg (03).



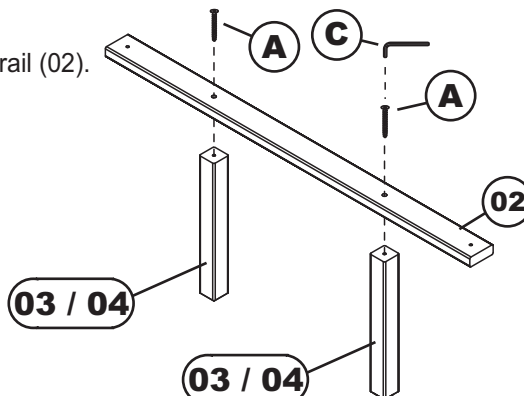
PO :

### Step 2

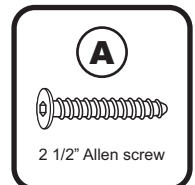
Assemble support legs (03 or 04) and support rail (02).  
Using Allen screw (A).  
Tighten with the Allen wrench (C).  
Repeat for other support rail.



Allen wrench



Adult assembly



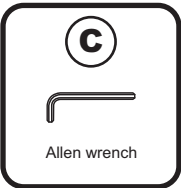
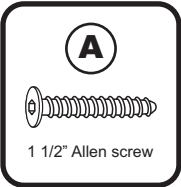
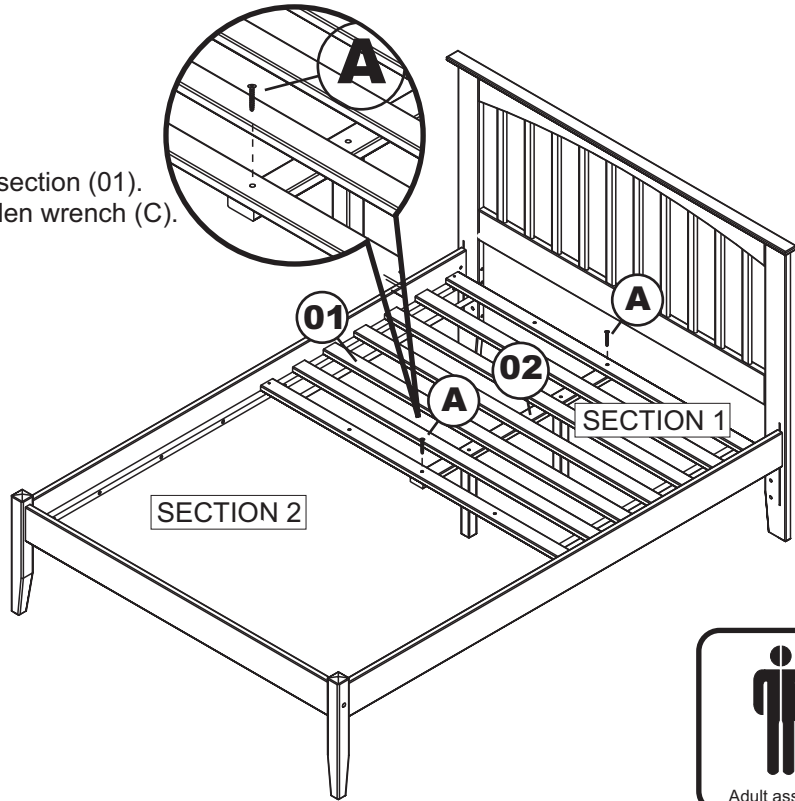
2 1/2" Allen screw



# SLAT KIT QUEEN OR KING

## Step 3

Lay the slat section (01) onto the bed.  
Attach support rail assembly (02) to slat section (01).  
Using Allen screw (A), tighten with the Allen wrench (C).  
Repeat for section 2.



## Step 4

**Be sure to align slat section evenly with both ends of side rail.**

Screw slat section (01) to side rail, using wood screw (B).  
Tighten with Phillips screwdriver. (Customer supplied).  
Be sure the space between slats is even.

