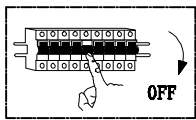
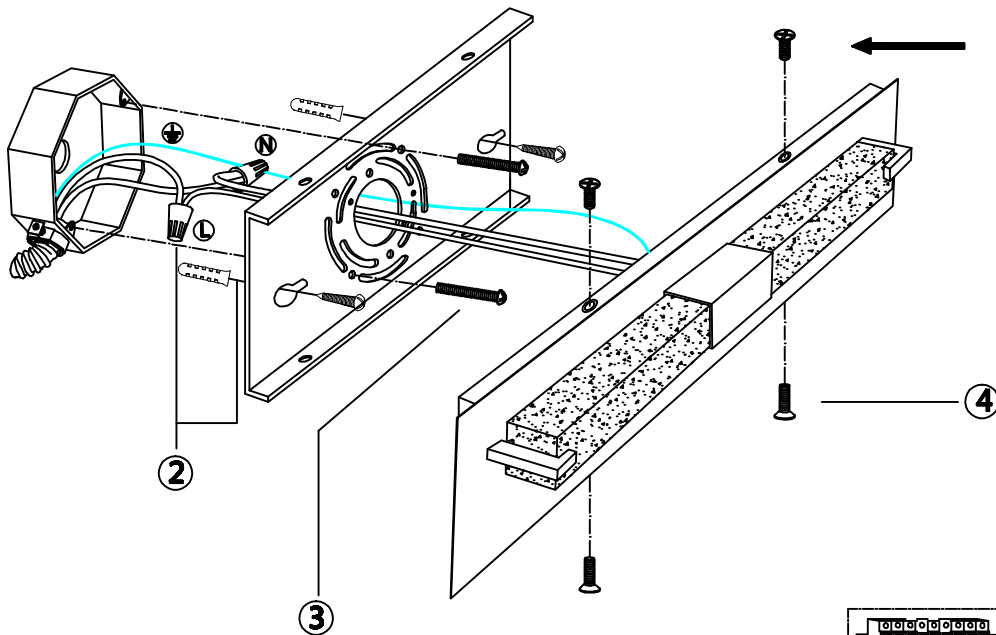


8012WL-10GD-US



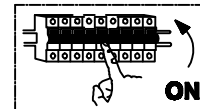
①



②

③

④



⑤

- 1 , Shut down the power.
- 2 , Connect the power cord.
- 3 , Fixed ceiling panel and ceiling box.
- 4 , Screw the lamp body onto the panel.
- 5 , Turn on the power switch and test the brightness.

Dimming: 100%-10%, ELV