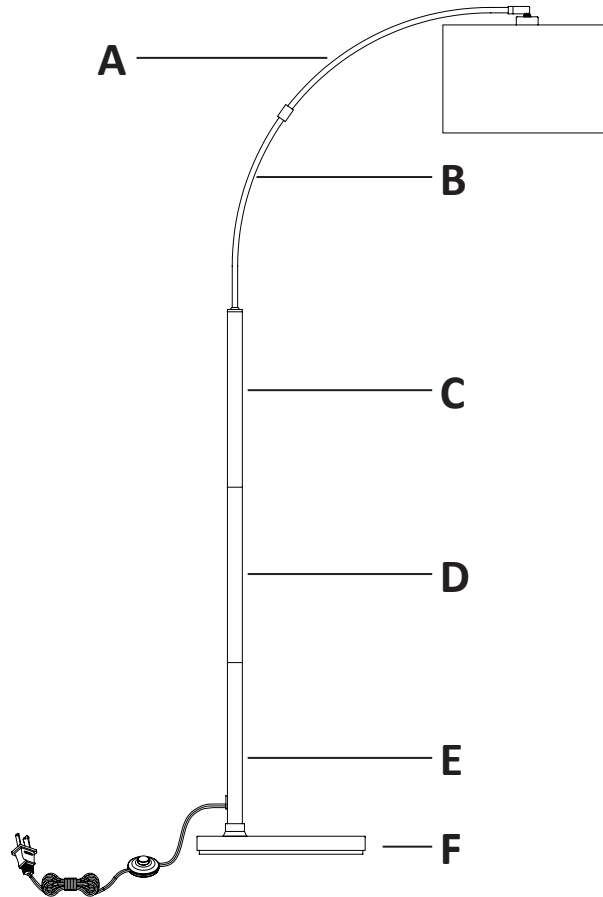

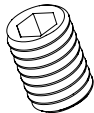
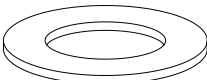

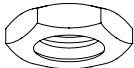
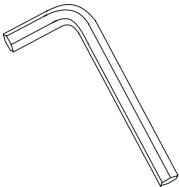
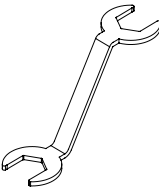
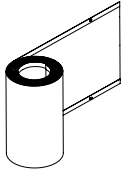
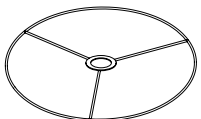
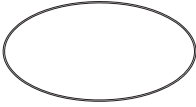


USE AND CARE MANUAL

ARC FLOOR LAMP



Hardware (Parts are not to scale)

<p>H1 Socket ring (Pre-assembled to the socket of socket assembly (A)) 1 pc</p> 	<p>H2 Allen screw (Pre-assembled to the arm (B)) 2+1 pcs</p> 	<p>H3 Flat washer (Pre-assembled to the tube (E)) 1 pc</p> 	<p>H4 Spring washer (Pre-assembled to the tube (E)) 1 pc</p> 
<p>H5 Hex nut (Pre-assembled to the tube (E)) 1 pc</p> 	<p>H6 Allen key</p> 	<p>H7 Wrench 1 pc</p> 	<p>H8 Shade panel 1 pc</p> 
<p>H9 Top ring 1 pc</p> 	<p>H10 Bottom ring 1 pc</p> 		

THIS MANUAL CONTAINS IMPORTANT SAFETY INFORMATION. PLEASE READ AND KEEP FOR FUTURE REFERENCE.

IMPORTANT SAFETY INFORMATION

- This lamp is for indoor use only. The lamp should not be used near water. Never immerse the lamp in water or other liquids.
 - Never cover the lamp with any object including cloth or paper as this is a fire hazard.
 - Do not handle the bulb immediately after the light is turned off as it will be hot.
 - This portable lamp has a polarized plug (one blade is wider than the other) as a safety feature to reduce the risk of electric shock. This plug will fit into a polarized outlet only one way. If the plug does not fit fully into the outlet, reverse the plug. If it still does not fit, contact a qualified electrician. Never use with an extension cord unless plug can be fully inserted. Do not alter the plug.
-

PREPARATION

- Before beginning assembly, installation or operation of product, make sure all parts are present. Compare parts with package contents list and diagram on previous page. If any part is missing or damaged, do not attempt to assemble, install or operate the product. Contact customer service for replacement parts.
-

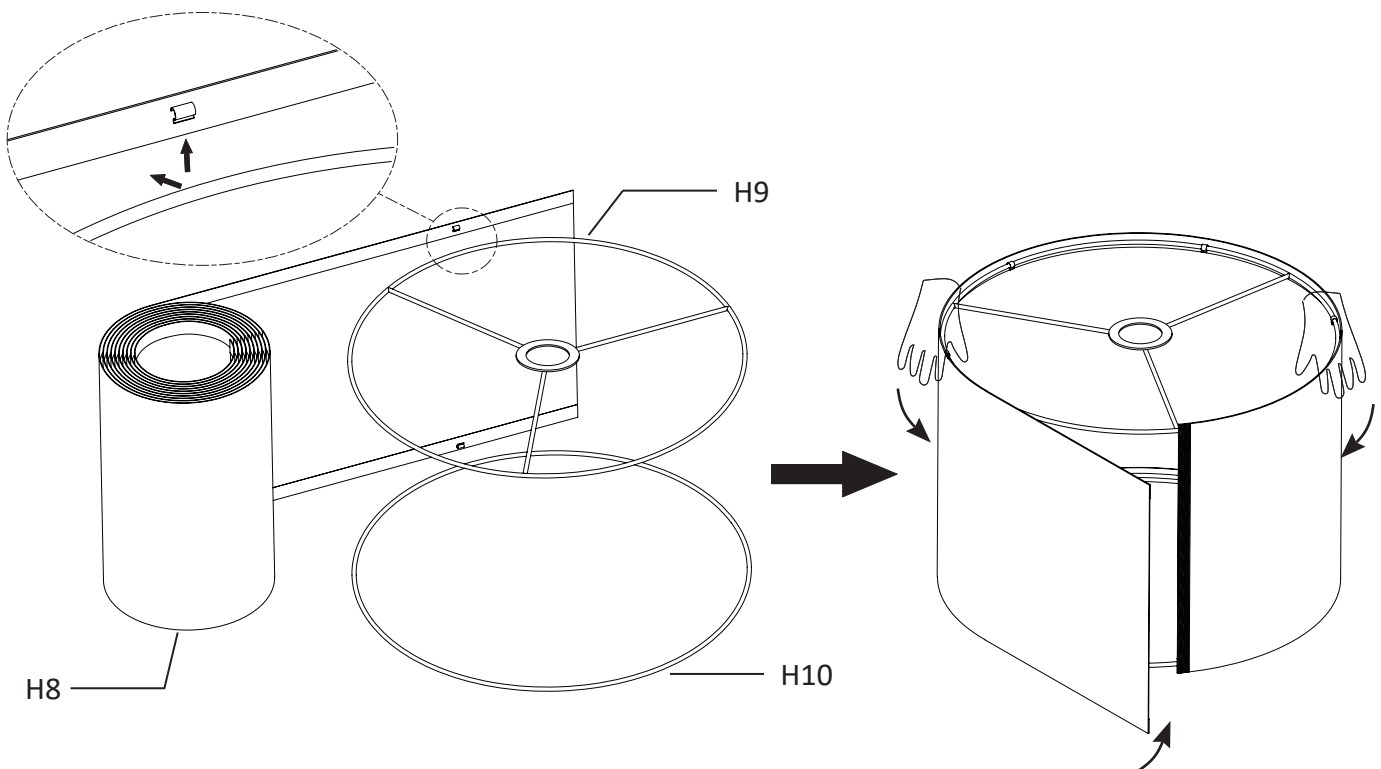
ASSEMBLY

SHADE ASSEMBLY

1 Assembling the shade

- Place the shade panel (H8) and top ring (H9) and bottom ring (H10) from the box.
- Attach the top ring (H9) and the bottom ring (H10) to clips on the shade panel (H8) securely into the clips.
- Attach the shade panel (H8) together by velcro.
- Repeat this step for the second shade.

NOTE: Push and pull the shade panel (H8) to be tight before attaching it together by velcro.
The clips will not fit where the ring and the stretchers meet.



IMPORTANT SAFETY INFORMATION

- This lamp is for indoor use only. The lamp should not be used near water. Never immerse the lamp in water or other liquids.
- Never cover the lamp with any object including cloth or paper as this is a fire hazard.
- Do not handle the bulb immediately after the light is turned off as it will be hot.
- This portable lamp has a polarized plug (one blade is wider than the other) as a safety feature to reduce the risk of electric shock. This plug will fit into a polarized outlet only one way. If the plug does not fit fully into the outlet, reverse the plug. If it still does not fit, contact a qualified electrician. Never use with an extension cord unless plug can be fully inserted. Do not alter the plug.

PREPARATION

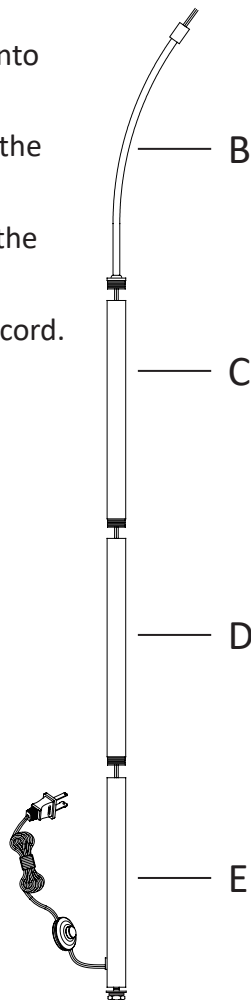
- Before beginning assembly, installation or operation of product, make sure all parts are present. Compare parts with package contents list and diagram on previous page. If any part is missing or damaged, do not attempt to assemble, install or operate the product. Contact customer service for replacement parts.

ASSEMBLY

1 Assembling the tubes to the arm

- Pull the power cord from the arm (B) through the tubes.
- Tightly screw the tube (C) onto the arm (B).
- Tightly screw tube (D) onto the tube (C).
- Tightly screw tube (E) onto the tube (D).

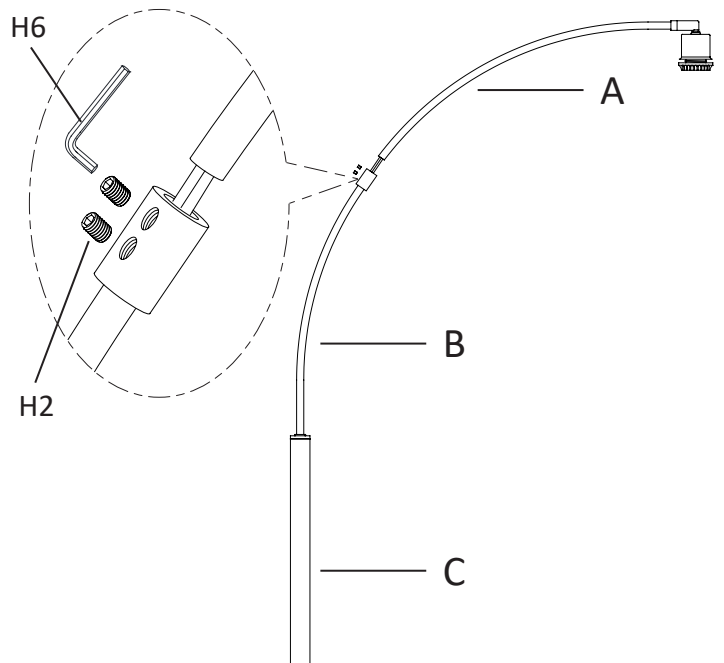
NOTE: Do not twist the power cord.



2 Assembling the socket assembly to the arm

- Pull the power cord from the socket assembly (A) through the arm (B) and tubes.
- Loosen the two Allen screws (H2) on the end of the arm (B) and insert the socket assembly (A) into the arm (B) as shown. Adjust the socket assembly (A) to the appropriate position so that that the socket assembly (A) and arm (B) are in line, then tighten the two Allen screws (H2) using Allen key (H6).

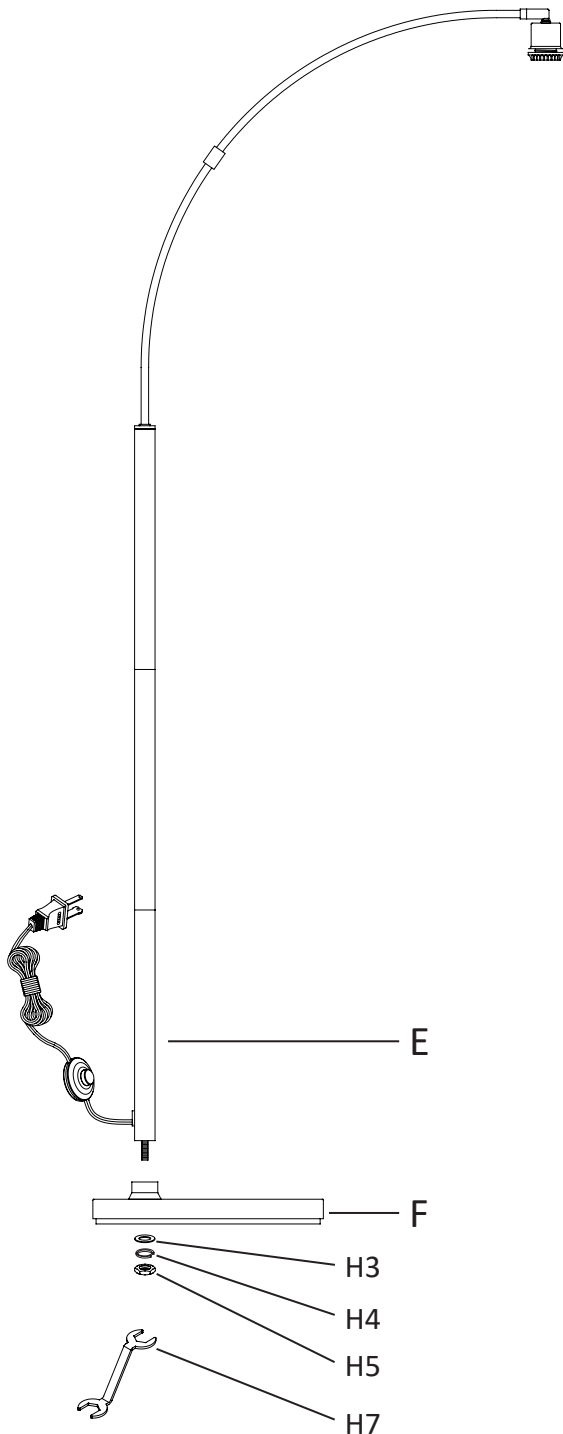
NOTE: Do not twist the power cord.



ASSEMBLY (continued)

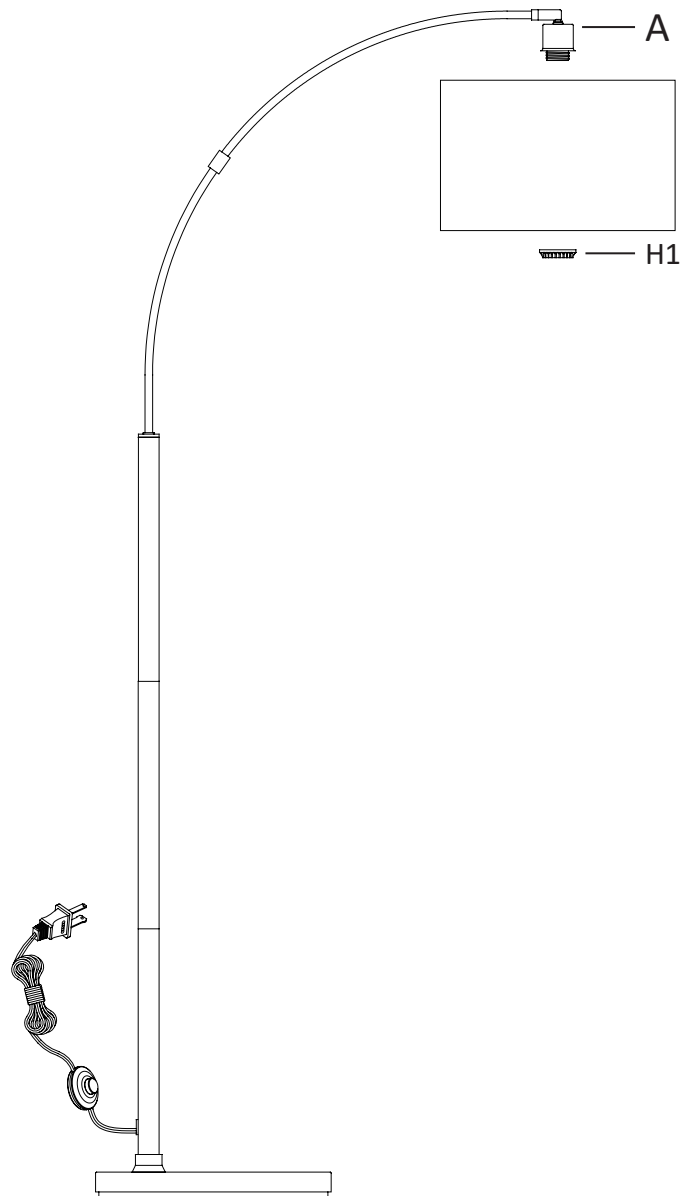
3 Assembling the tube to the base

- Unscrew the hex nut (H5) from the threaded tube at the bottom of the tube (F), remove the spring washer (H4) and the flat washer (H3).
- Handle the tube assembly in vertical position and then slide the threaded tube at the bottom of the tube (E) through the hole on the base (F) as shown. Adjust the socket assembly (A) is facing the front of the lamp, then secure with the flat washer (H3), the spring washer (H4) and the hex nut (H5) by the wrench (H7).



4 Assembling the shade

- Unscrew the socket ring (H1) from the the socket of the socket assembly (A).
- Place the shade assembly over the socket of the socket assembly (A) and secure with the socket ring (H1).

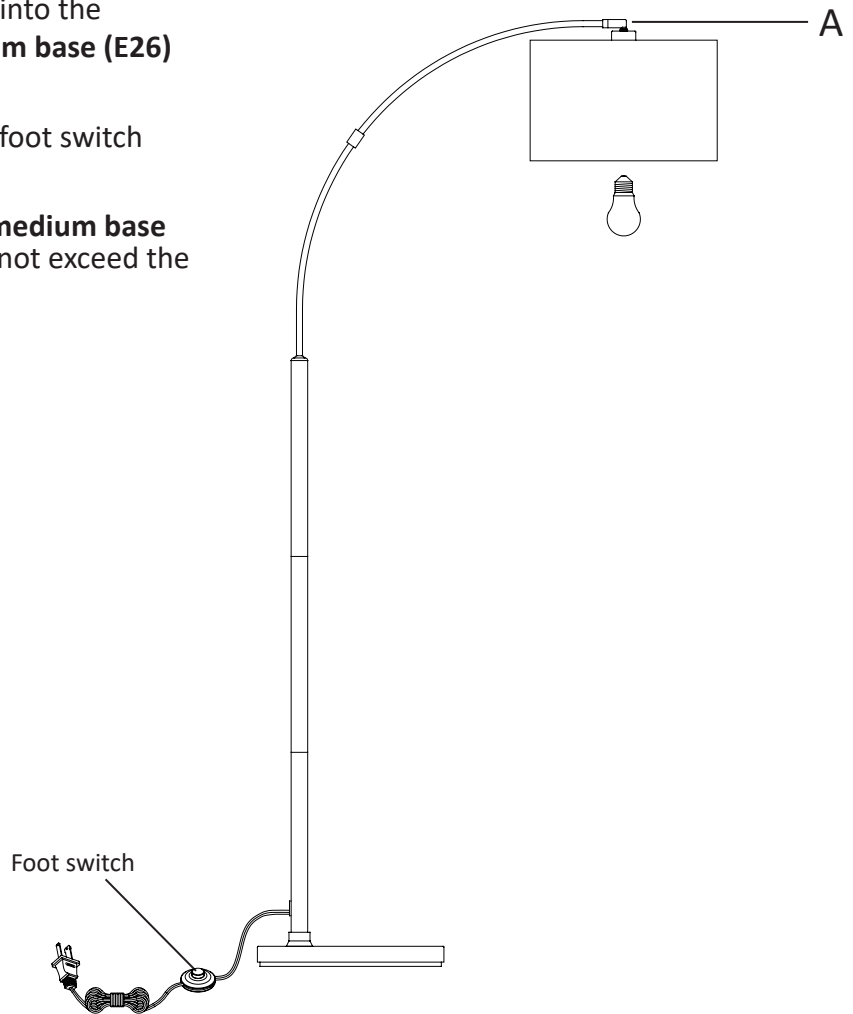


ASSEMBLY (continued)

5 Installing the light bulb

- Install the light bulb (not provided) into the socket. Use one **MAX 100 W medium base (E26) type "A"** bulb (recommended).
- Plug into the wall outlet, touch the foot switch and enjoy.

NOTE: You can also use one **MAX 16W medium base (E26) self-ballasted LED** bulb. Do not exceed the recommended wattage.



CLEANING

- Do not use any cleaners with chemicals, solvents, or harsh abrasives. Use only a dry, soft cloth to dust or wipe carefully.
- To clean the fixture, pull the plug from the wall outlet. Use a dry or slightly dampened, clean cloth to wipe the exterior surface of the fixture.

TROUBLESHOOTING

- The light does not come on at all:
 - a) Check whether the bulb was burned out.
 - b) Ensure the power supply is turned on.
 - c) Ensure the cord is plugged into an outlet.
 - d) Ensure the circuit breaker is set in the "ON" position.
- Fuse blows or circuit trips when light is turned on.
 - a) Check for crossed wires, ensure wiring is correct.