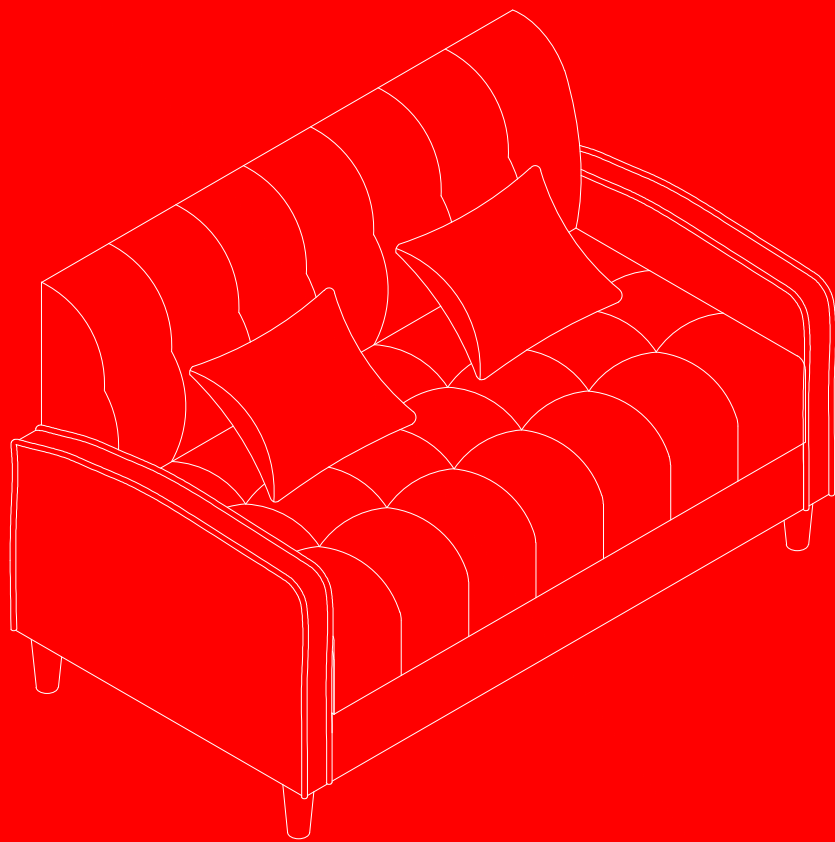
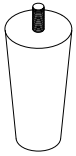


Sofa



**INSTRUCTION
MANUAL**



A

×4



B

×16

5/16*19MM



C

×16

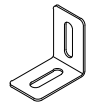
5/16*1-1/4"



D

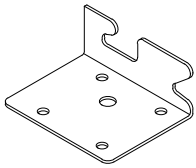
×1

5/16*100MM



E

×4



F

×2

5/16*3/4"



G

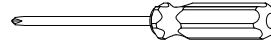
×4



H

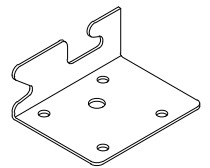
×16

1/8*3/4"



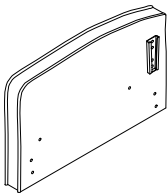
I

×1



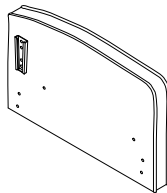
J

×2



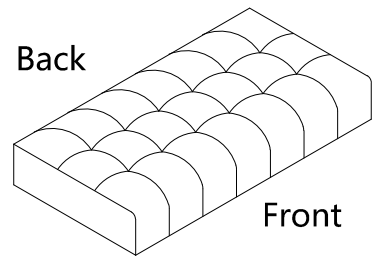
1

×1



2

×1

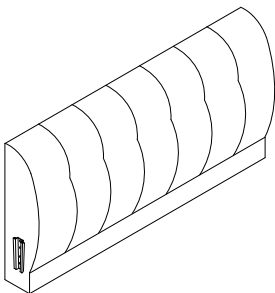


Back

Front

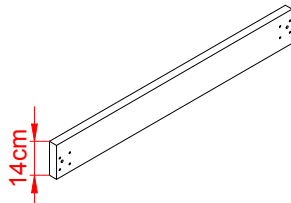
3

×1



4

×1

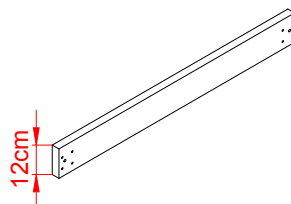


14cm

5

×1

Front Panel

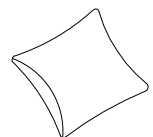


12cm

6

×1

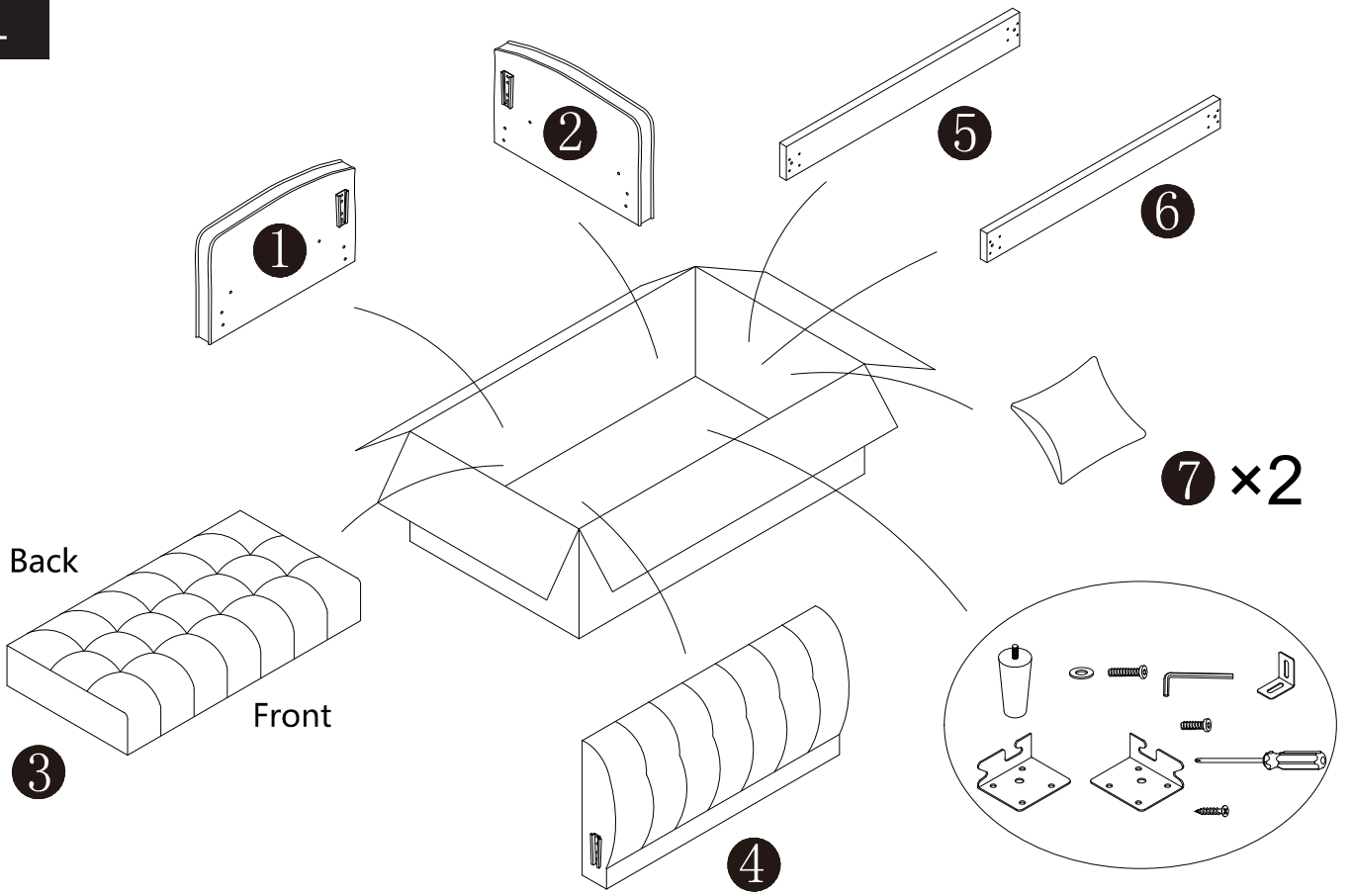
Back Panel



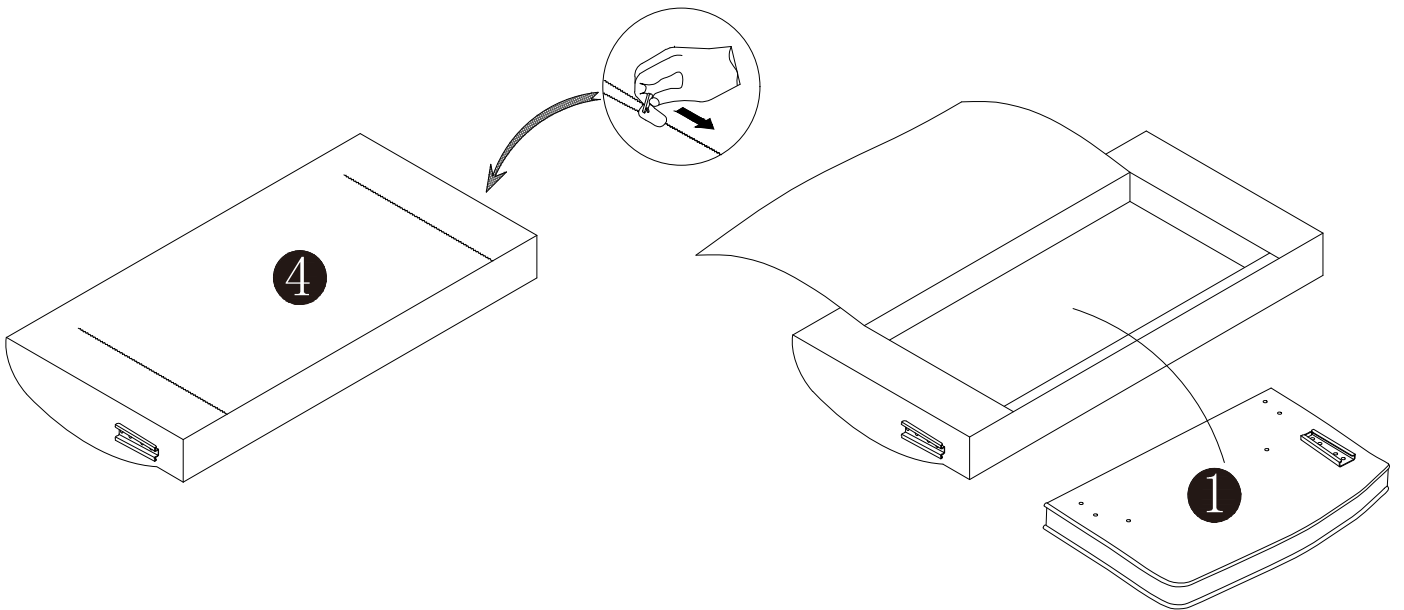
7

×2

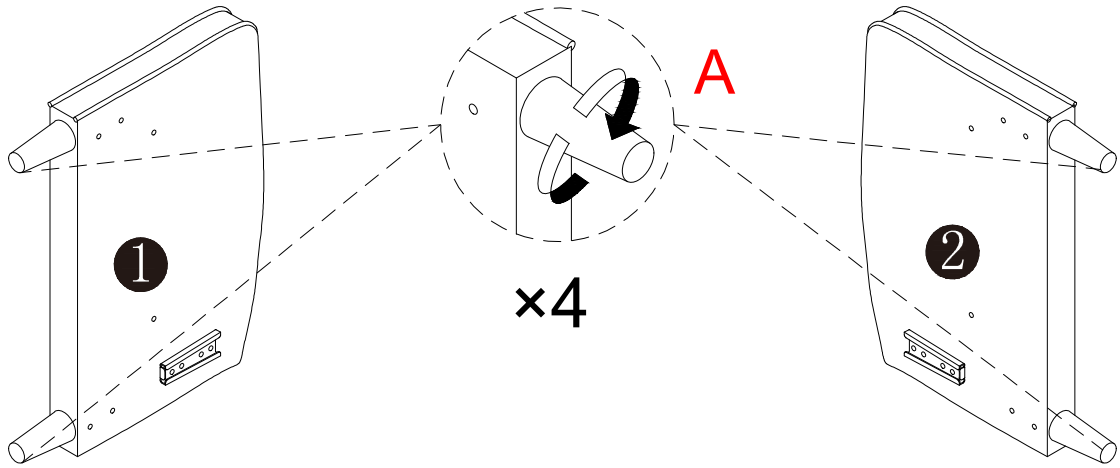
1



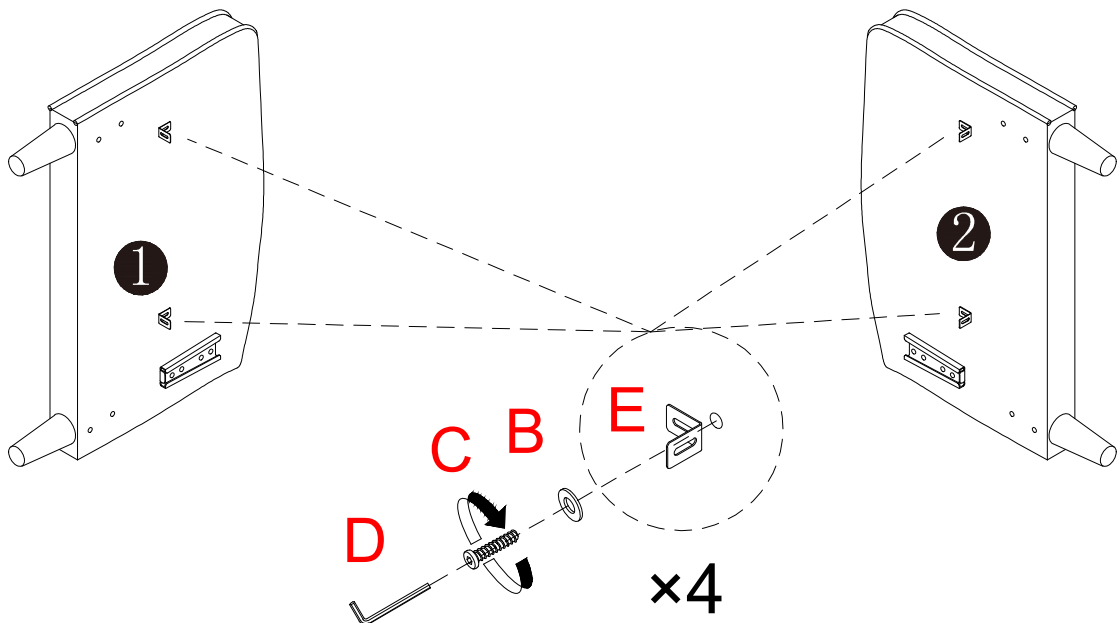
2



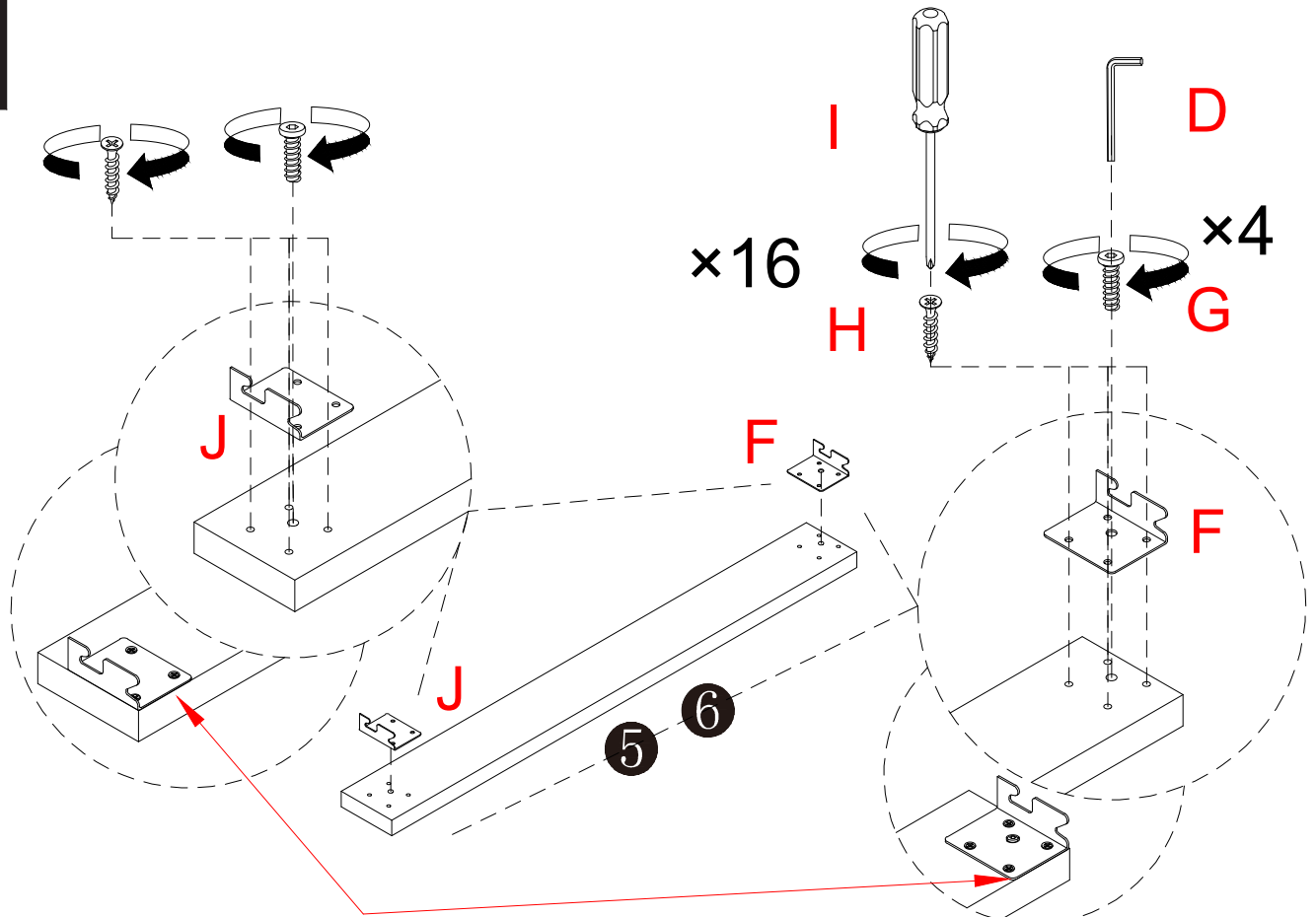
3



4

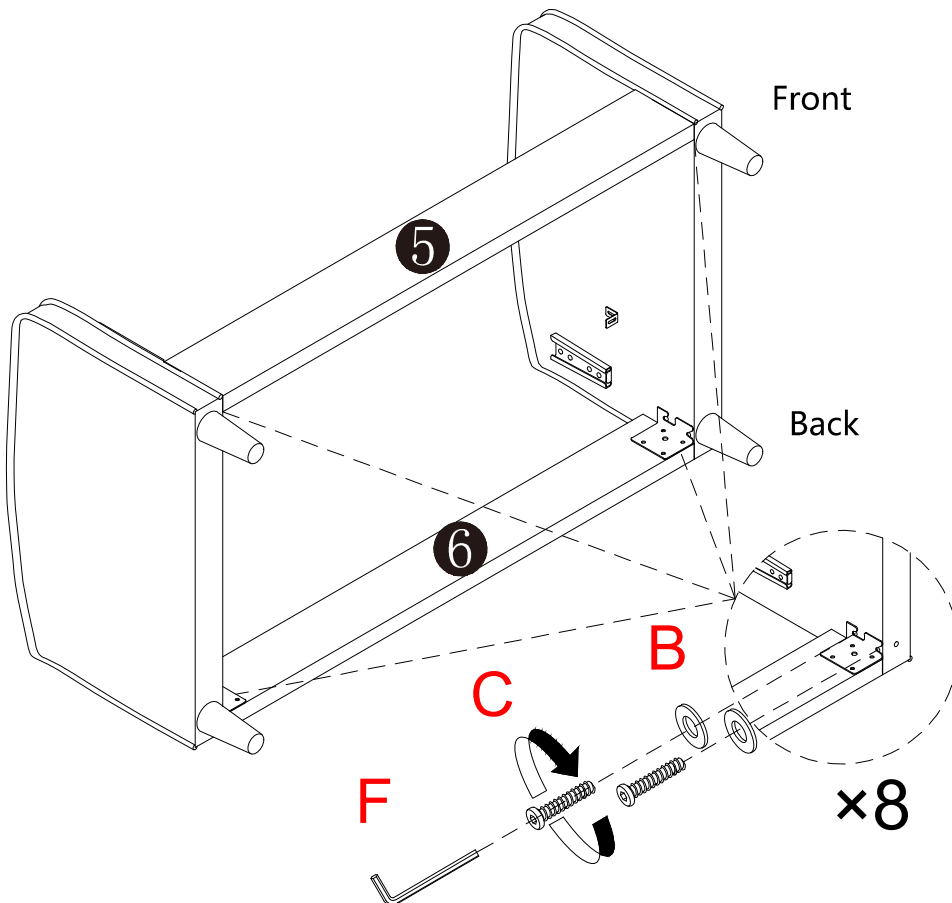


5

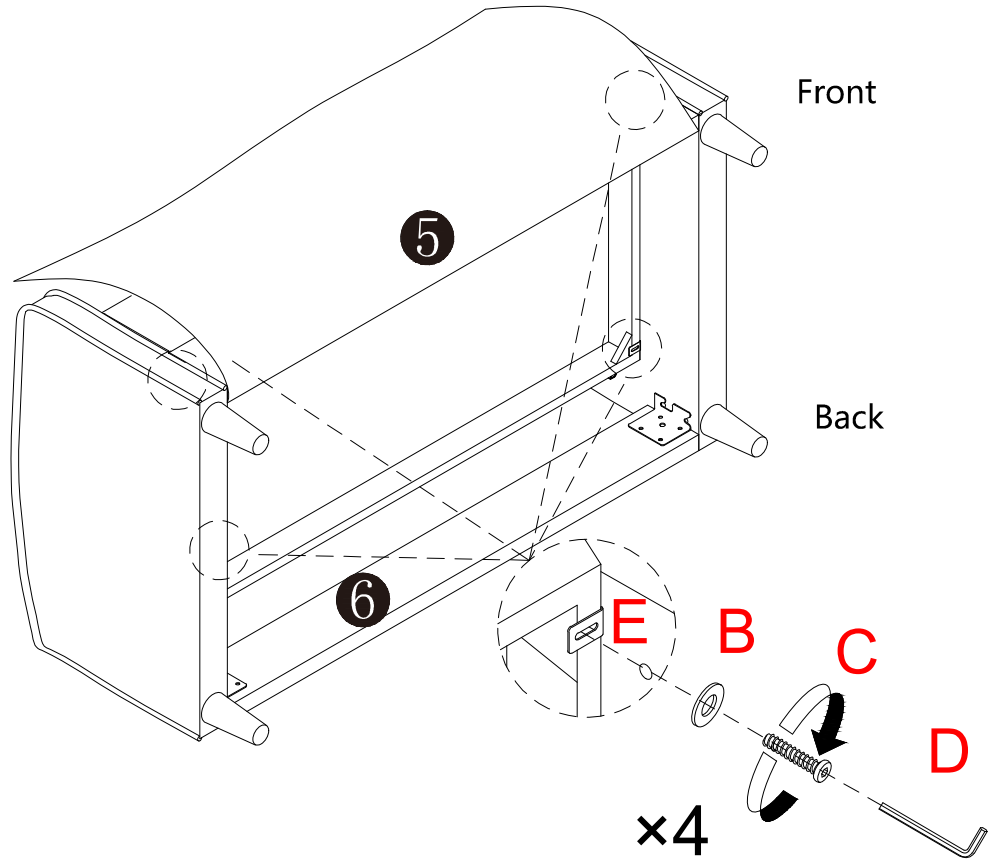


As shown in the drawing: The edge of the metal sheet is aligned with the lower end of the wooden board, and the handing direction is facing downwards.

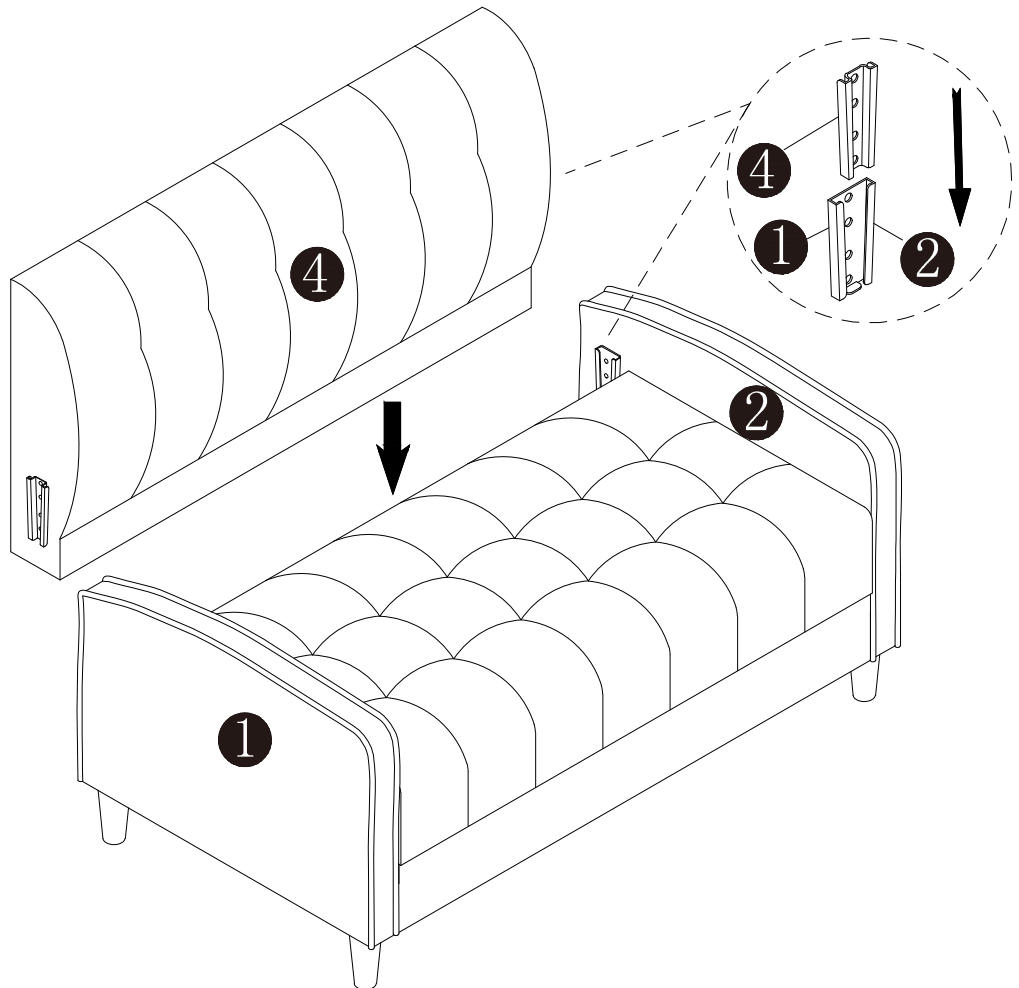
6



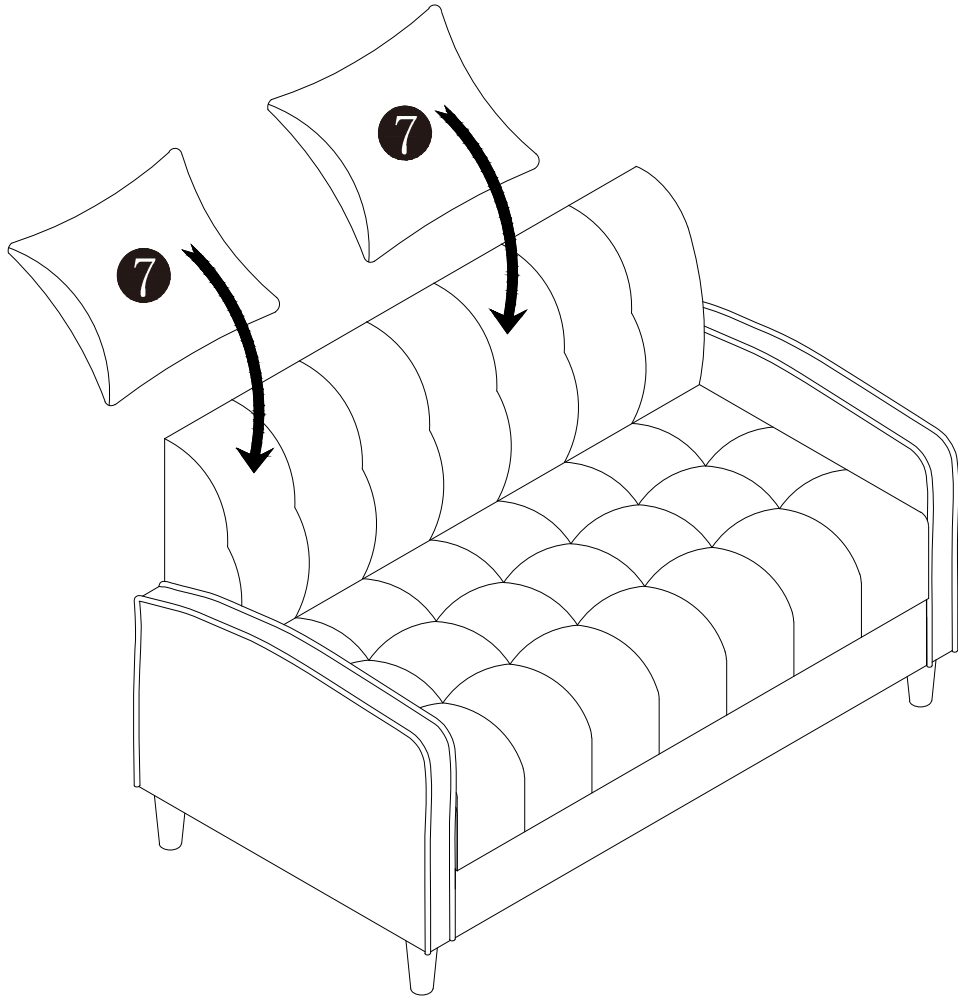
7



8



9



10

