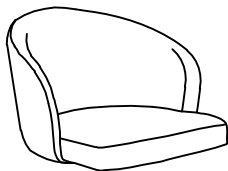


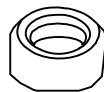
① SEAT



② FOOTREST



③ NUT



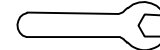
M6=4

④ SCREW



6*16MM=4

⑤ SPANNER

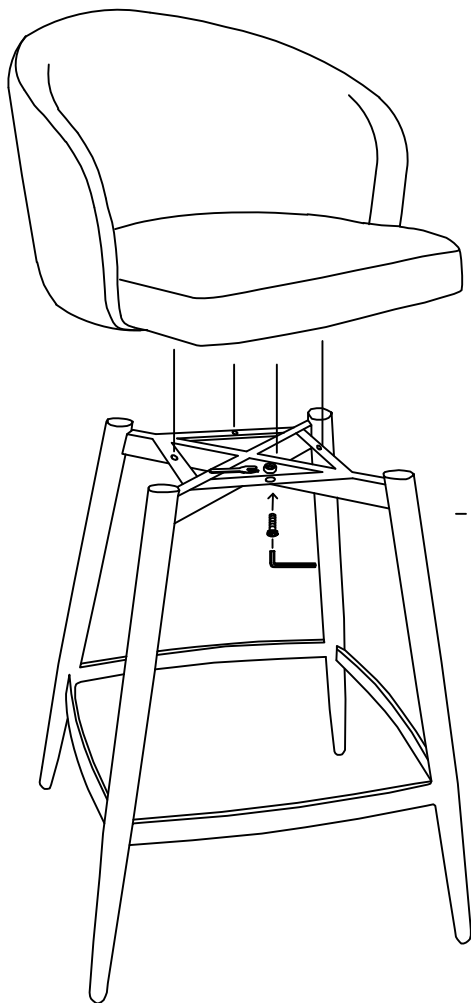


10MM=1

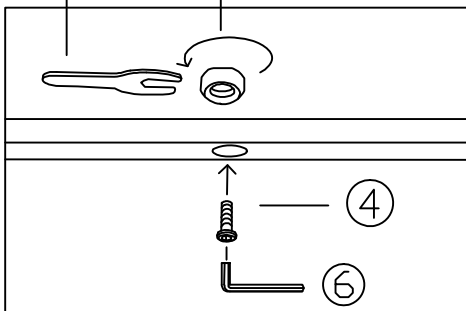
⑥ WRENCH



4MM=1



⑤ ③



Assembly Instruction

