

# Basel cabinet

SKU WHIF2627



## ASSEMBLY INSTRUCTIONS



**60** min. assembly

**2** person

\*The estimated assembly time may vary depending on the individual.

# Hey, there

Now is assembly time!

Deeeeep breathe.... and again....  
Tools ready,  
Easy peasy!

## Estimated



**60** min. assembly  
**2** person

## Tools Required

- Allen Wrench(not included)
- Phillips screwdriver(included)
- Power Drill(not included)
- Drill bit(not included)
- ...
- ...

**important:** *Cautious when you use power tools*

## Need Help?

Call us at +1 909 548 6688  
Email [customerservice@luxenhome.com](mailto:customerservice@luxenhome.com)  
Submit a ticket on [www.luxenhome.com/help](http://www.luxenhome.com/help)

Thank you for purchasing this LuxenHome product. This product has been manufactured with the highest standards of safety and quality.

### **PLEASE READ ALL INSTRUCTIONS CAREFULLY BEFORE ASSEMBLY.**

Unpack all parts from the packaging inside the carton to ensure there are no missing or damaged parts. Lay out all the chair parts on a clean, flat, and soft surface to prevent scratches. Refer to the steps provided as assembling guide.

Do not attempt to assemble or use the product if any parts are missing or damaged.

## REMINDERS

### **SAFE USAGE IS KEY**

Your well-being is our top priority when you use our product. Please prioritize your safety by diligently following the assembly guidelines and inspecting the product carefully both when it arrives and before each use.

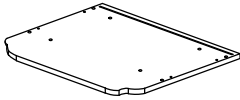
Please be aware that LuxenHome and Winsome House, Inc. cannot be held liable for any injuries or fatalities that occur due to not adhering to the provided instructions or misuse of the product.

### **DO NOT MODIFY**

Our products undergo rigorous testing to ensure they meet established safety standards before being released for sale. Altering the product in any way can lead to serious safety concerns, for which LuxenHome cannot assume responsibility.

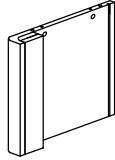
# What's in the box

## Parts



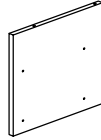
① X 1

Bottom panel



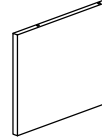
② X 1

Side panel - L



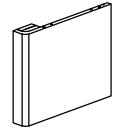
③ X 1

Inner side panel - L



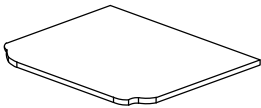
④ X 1

Inner side panel - R



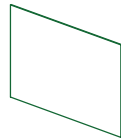
⑤ X 1

Side panel - R



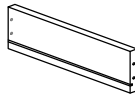
⑥ X 1

Top panel



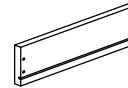
⑦ X 1

Back panel



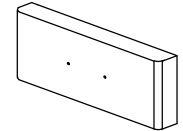
⑧ X 2

Drawer back



⑨ X 4

Drawer side - L/R



⑩ X 2

Drawer head



⑪ X 2

Drawer base

# What's in the box

## Hardware & Accessory



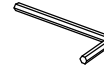
**A1** X 4  
Minifix cam



**A2** X 4  
Minifix bolt



**A3** X 4  
Minifix cap



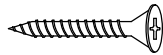
**A5** X 1  
Allen key



**B1** X 8  
Wood dowel  
M6 x 30mm



**B2** X 8  
Wood dowel  
M8 x 25mm



**C** X 20 (+3)  
Cb screw  
M4 x 38mm



**D** X 24 (+3)  
Cb screw  
M3.5 x 16mm



**E** X 24 (+3)  
Cb screw  
M3.5 x 12mm



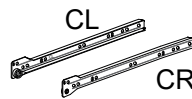
**G** X 4  
PVC corner  
L bracket



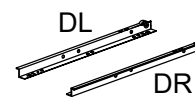
**J1** X 2  
Tad 23-96  
PVC handle



**J2** X 4  
Cb screw  
M4 x 65mm



**K1** X 2  
Drawer slide 12"

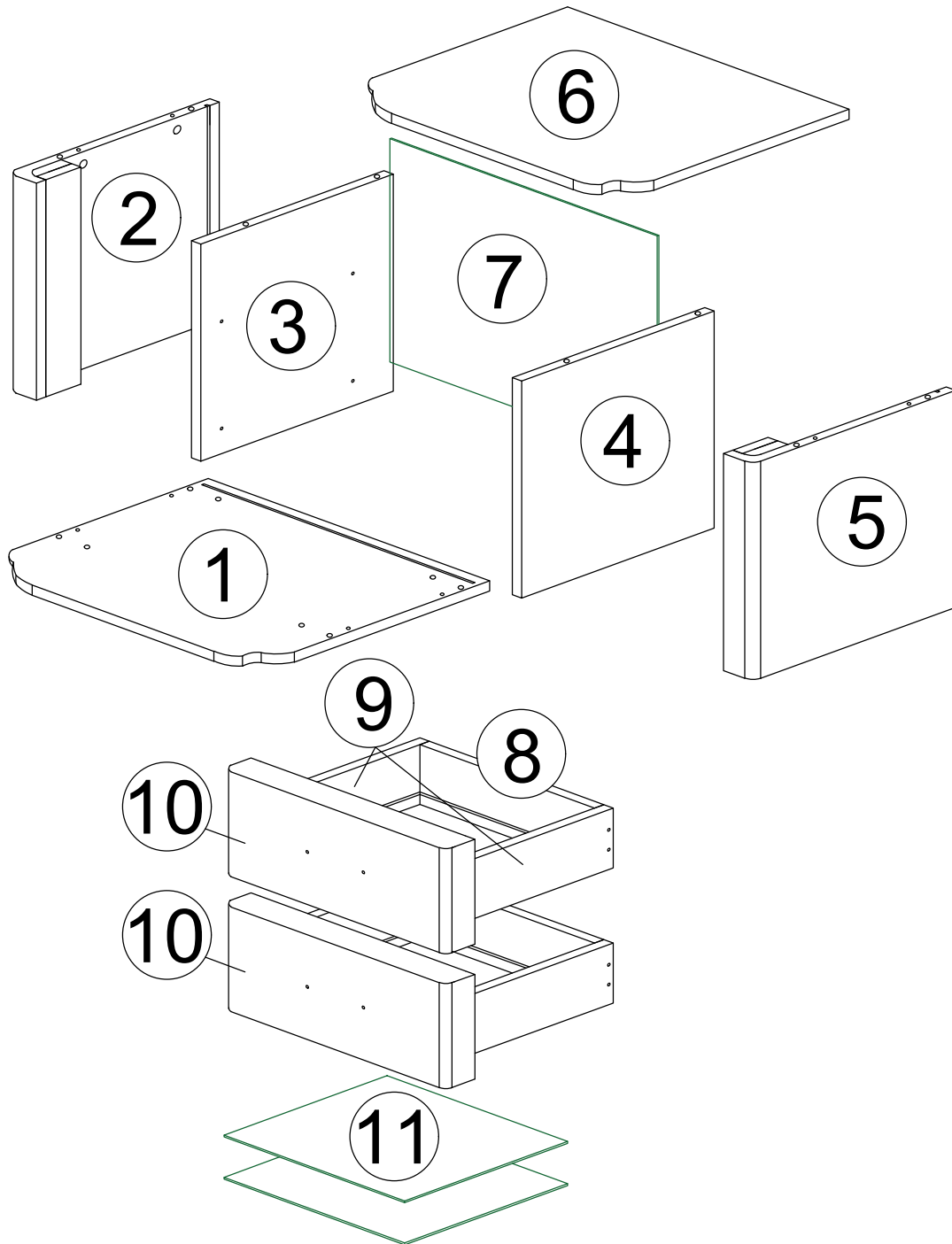


**K2** X 2  
Drawer slide 12"



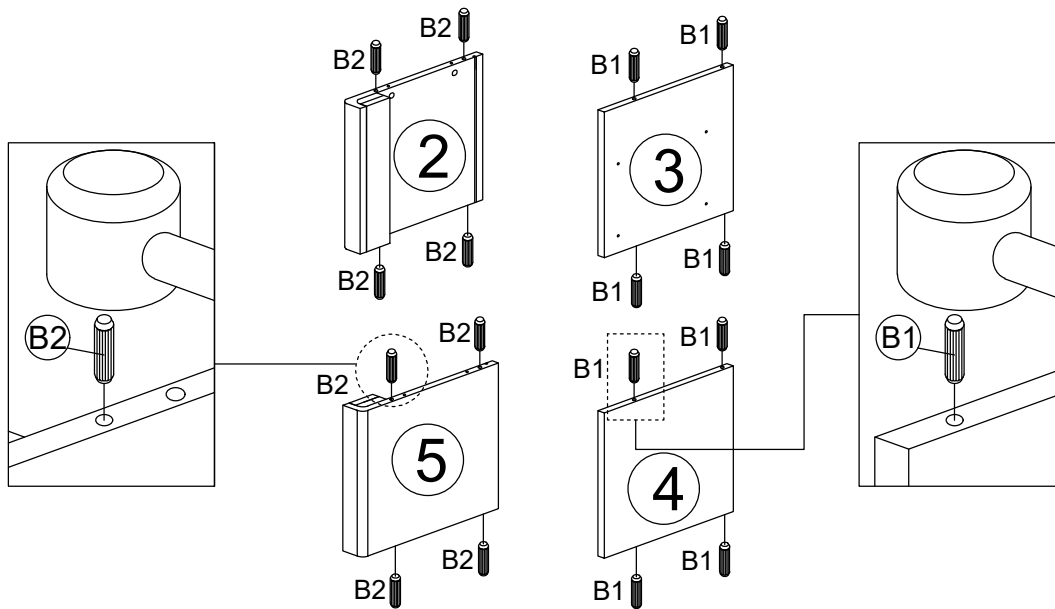
**L** X 4  
120mm round  
tapper PVC leg

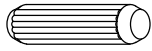
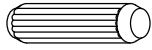
# Assembly



# Step 1

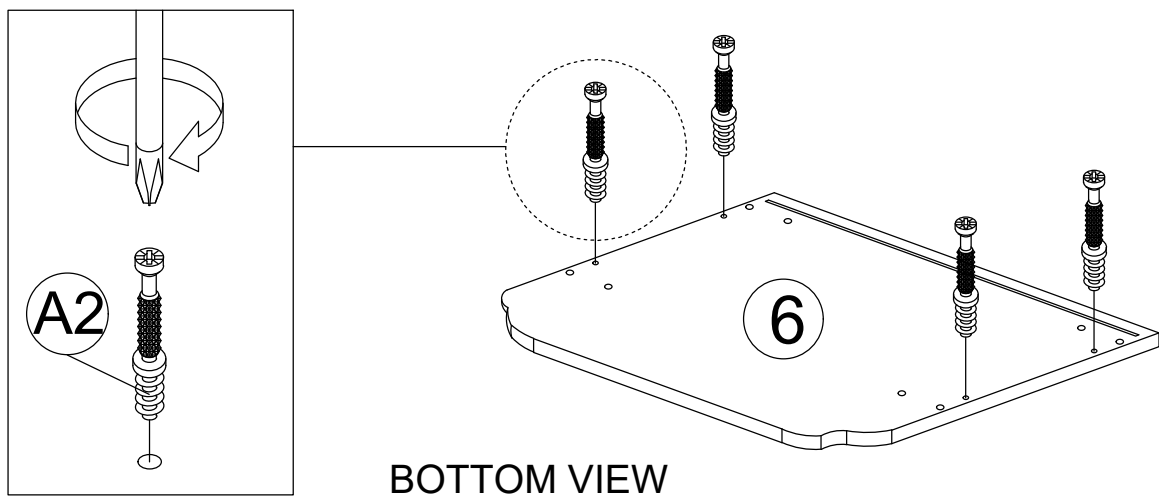
Insert hardware (B1) into panel (3 & 4) & hardware (B2) into panel (2 & 5).




<b>B1x8</b>

M8 x 25mm
<b>B2x8</b>

M8 x 25mm

# Step 2


Install and tighten hardware (A2) onto panel (6).

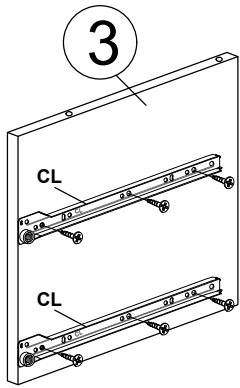


<b>A2x4</b>

Minifix bolt

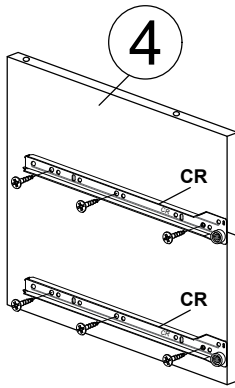
# Step 3

Screw in hardware (K1) onto inner side panel (3 & 4) by using hardware (E).

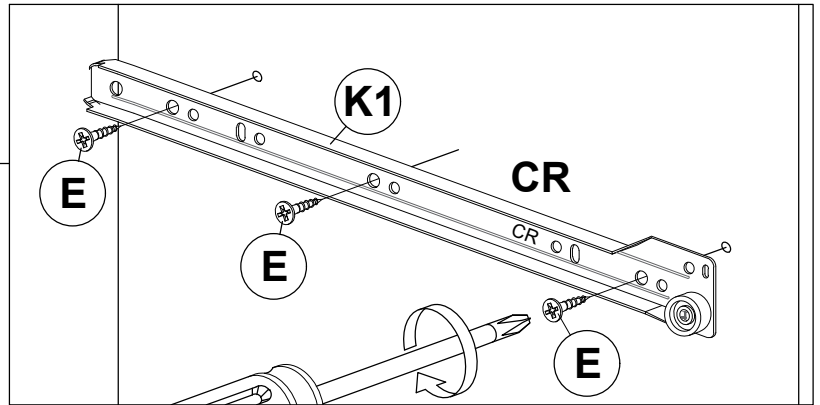
Ex12

M3.5 x 12mm
K1x2
CL
CR



RIGHT VIEW




LEFT VIEW

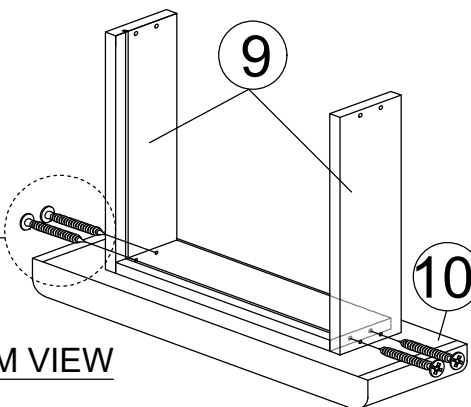
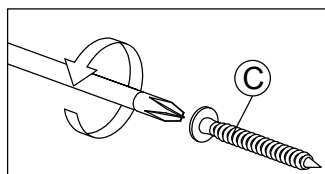


# Step 4

Connect the panel (9) to panel (10) by using hardware (C).

*(Repeat 2 times for 2 drawers)*

Cx8

M4 x 38mm

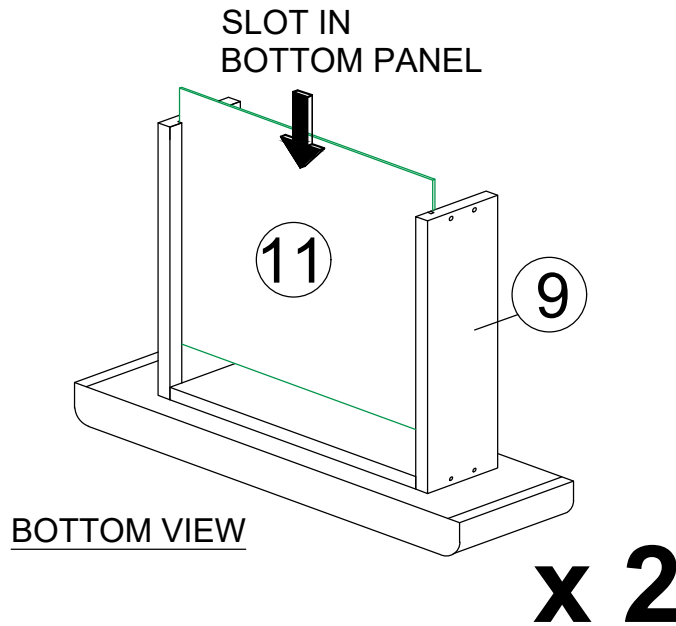


BOTTOM VIEW

**x 2**

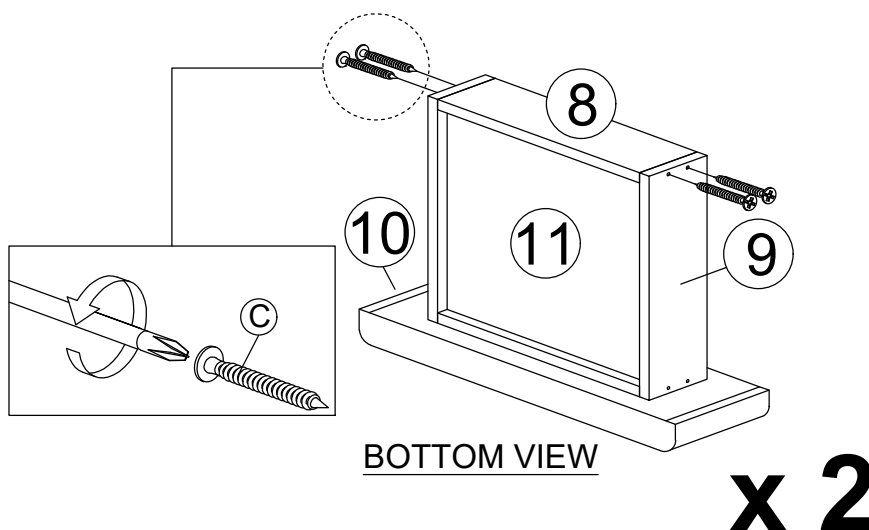
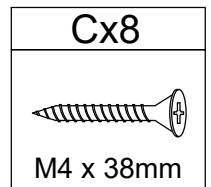
# Step 5

Slot in drawer base (11) in between panel (9).  
(Repeat 2 times for 2 drawers)



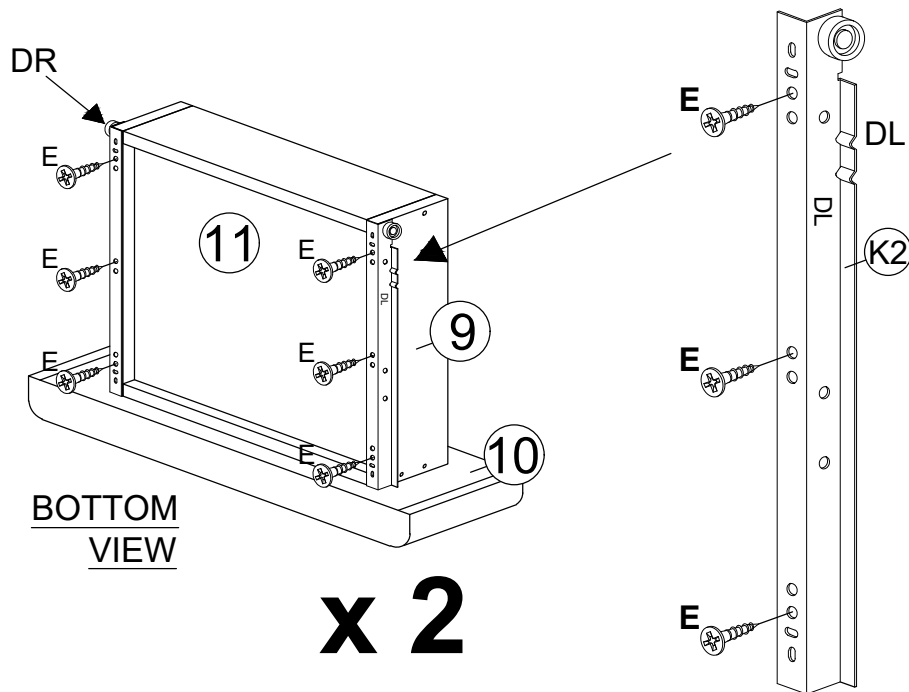
# Step 6

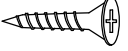


Connect panel (8) to the assembled section panel (9,10 & 11) by using hardware (C). (Repeat 2 times for 2 drawers)



# Step 7

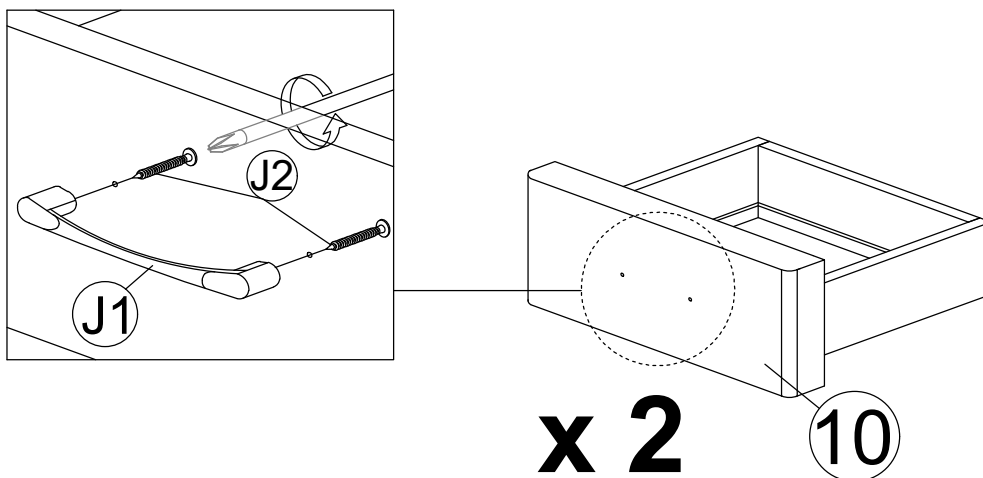
Screw in hardware (K2) onto bottom side drawer by using hardware (E).

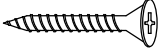



Ex12

M3.5 x 12mm
K2x2



# Step 8

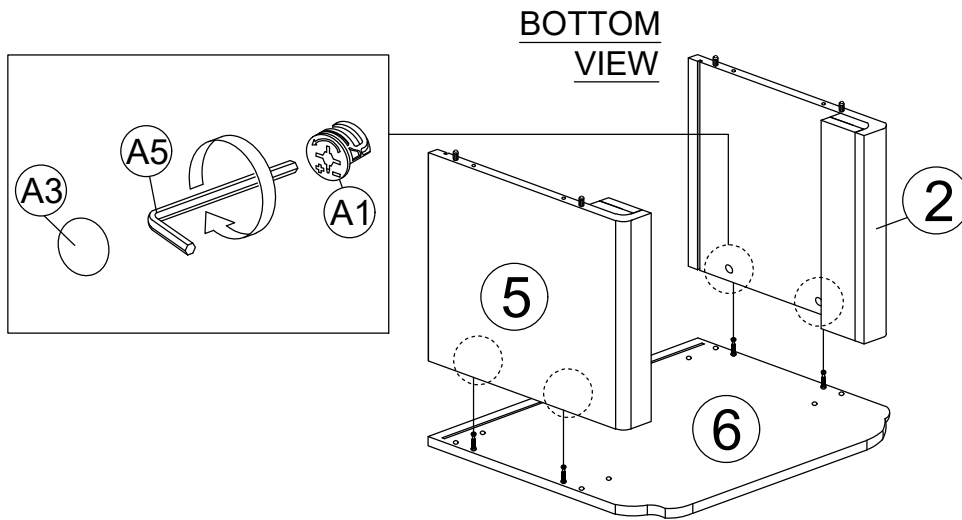
Connect hardware (J1) onto drawer head (10) by using hardware (J2) and tighten it.



J2x4

M4 x 65mm
J1x4


# Step 9

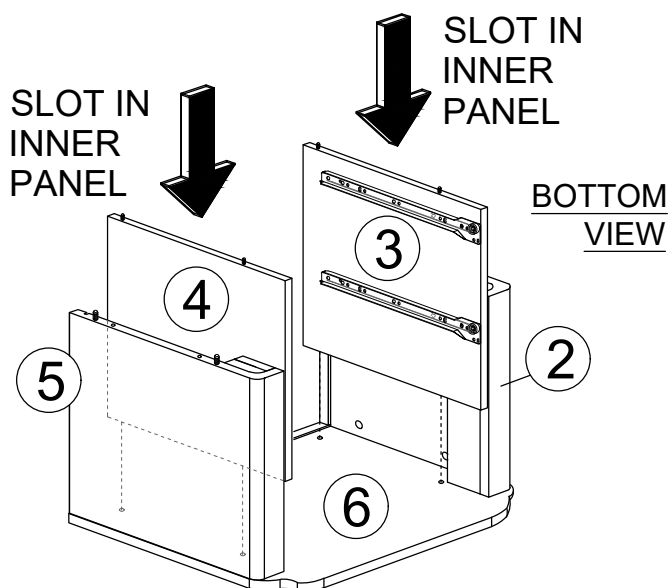
Assembled panel (5 & 2), Connect the panel to panel (6) using hardware (A1 & A5). Then, applied (A3) to all (A1).



A2x4
A3x4
A5x1

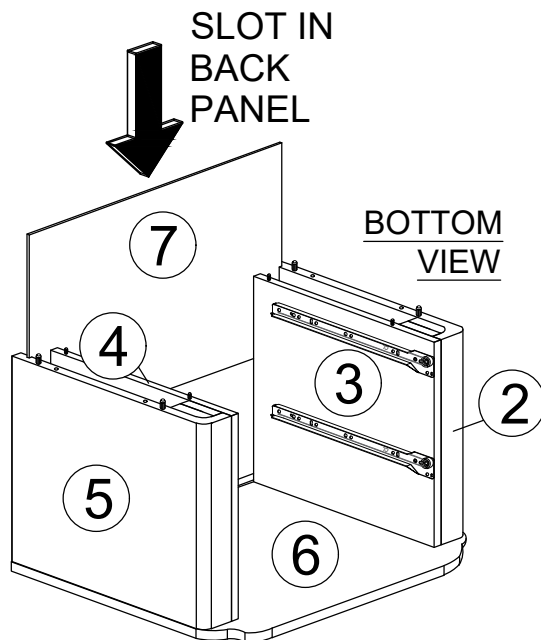
# Step 10

Connect inner panel (3 & 4) to panel (6) by using hardware (B1).



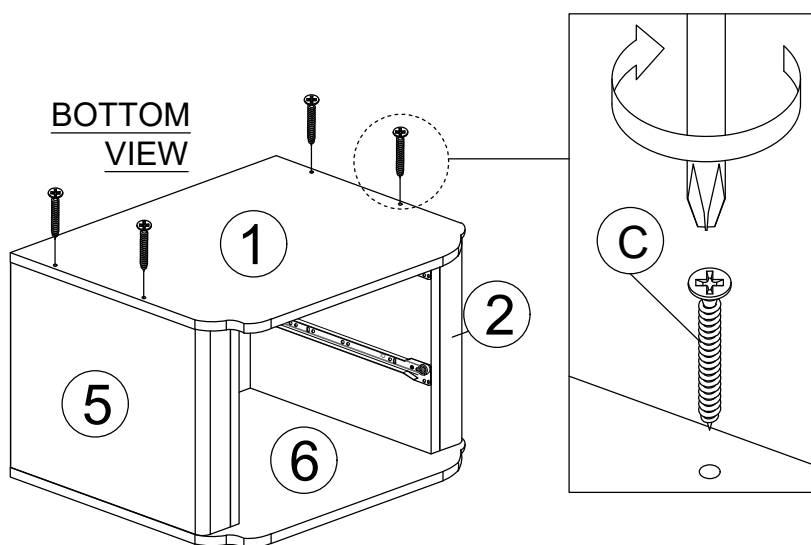
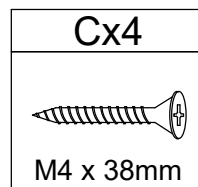
# Step 11

Slot in back panel (7) in between panel (2 & 5).




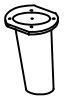
# Step 12

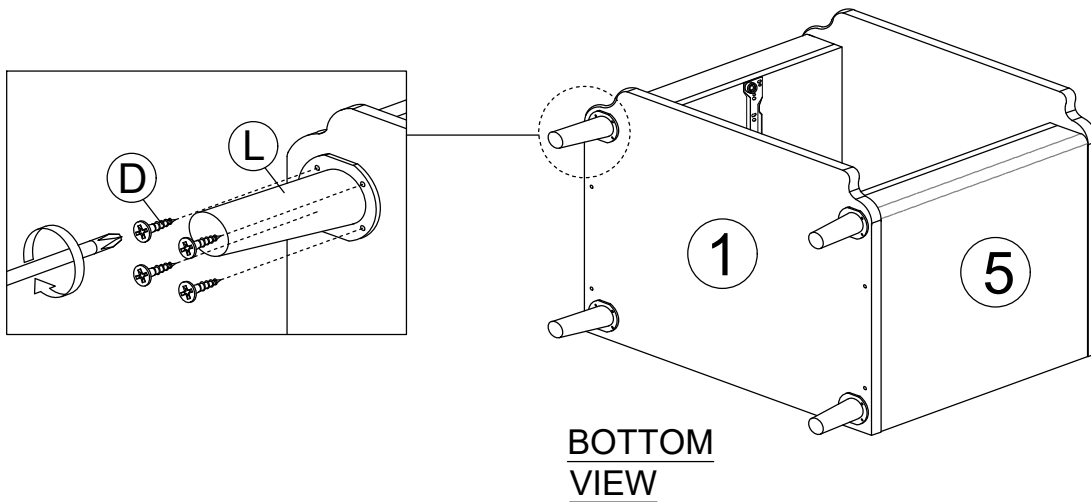
Screw in panel (1) to panel (2 & 5) by using hardware (C) and then tighten it.



# Step 13

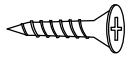
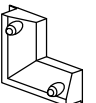
Connect hardware (L) onto bottom side of panel (1) by using hardware (D).

Dx16

M3.5 x 16mm
Lx4


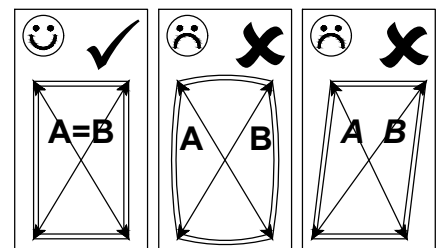
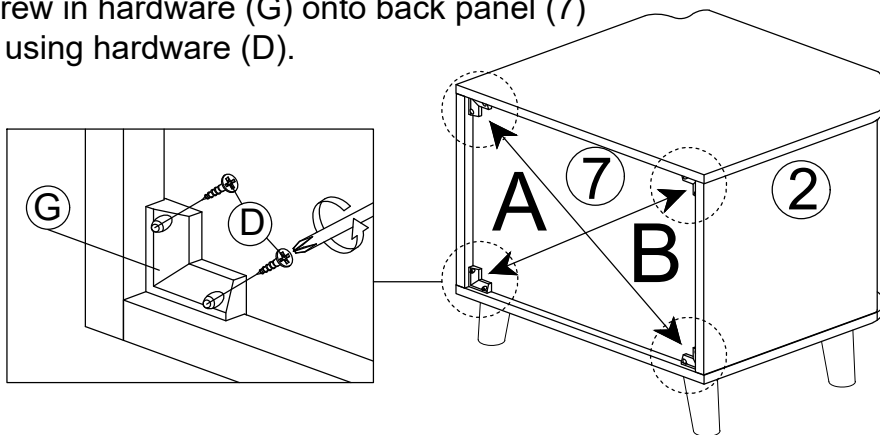


# Step 14

Please make sure the left and right doors are the same level and the backboard is right Angle before installing hardware (G), **MUST** install hardware (G) to strengthen product stability.

Dx8

M3.5 x 16mm
Gx4


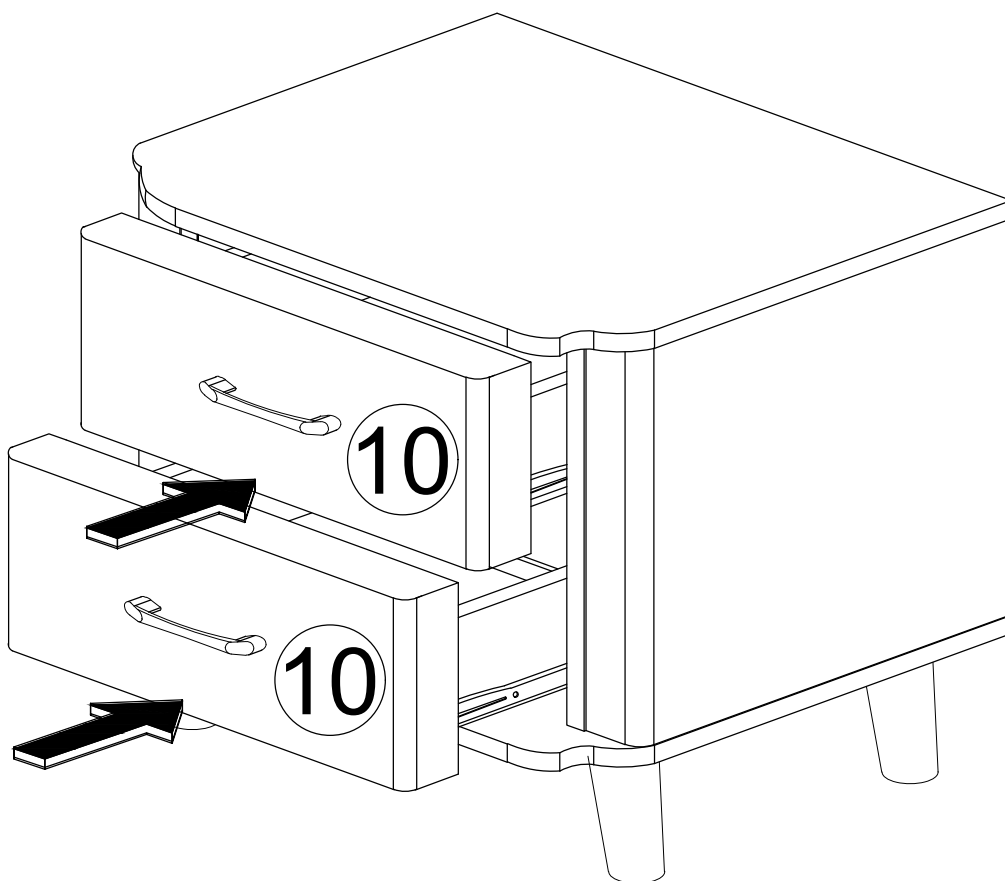
Screw in hardware (G) onto back panel (7) by using hardware (D).



**\*2 PERSON REQUIRED**

# Step 15

Slide in drawer (10) to complete the product.



**VOILA!**  
Now enjoy.



**Warning**

DO NOT stand or sit on the nightstand this may damage the product and cause serious bodily injury.

# Something not right?

We are always here to help.

## **We make mistakes like every human does.**

Though we always strive to provide the best possible products at competitive prices and the best service in the industry, it's not possible to completely eliminate mistakes. If you experience any dissatisfaction, feel free to contact us immediately. Our in-house customer care team will respond ASAP.



[customerservice@luxenhome.com](mailto:customerservice@luxenhome.com)  
Get response within 24 hrs



909.548.6688  
Mon-Fri 9am-5pm PST/PDT



[www.luxenhome.com/help](http://www.luxenhome.com/help)  
Submit a ticket on our website

## **Things to do to expedite the process**

- Have your order# ready
- Take photos/videos to help us better identify the issues
- DO NOT throw away the packaging

# Happy with our product?

## Leave us a review

It really help us as a small business

- Find the product you purchased on our website (tip: search by SKU) and leave us a review.
- Alternatively, you can always return to the marketplace where you purchased it and leave a review there.

## Share with others

Our customers look for REAL stuff



- Follow us on IG @luxen.home
- Share your #liveluxen moments



**Please save this manual  
for future reference.**