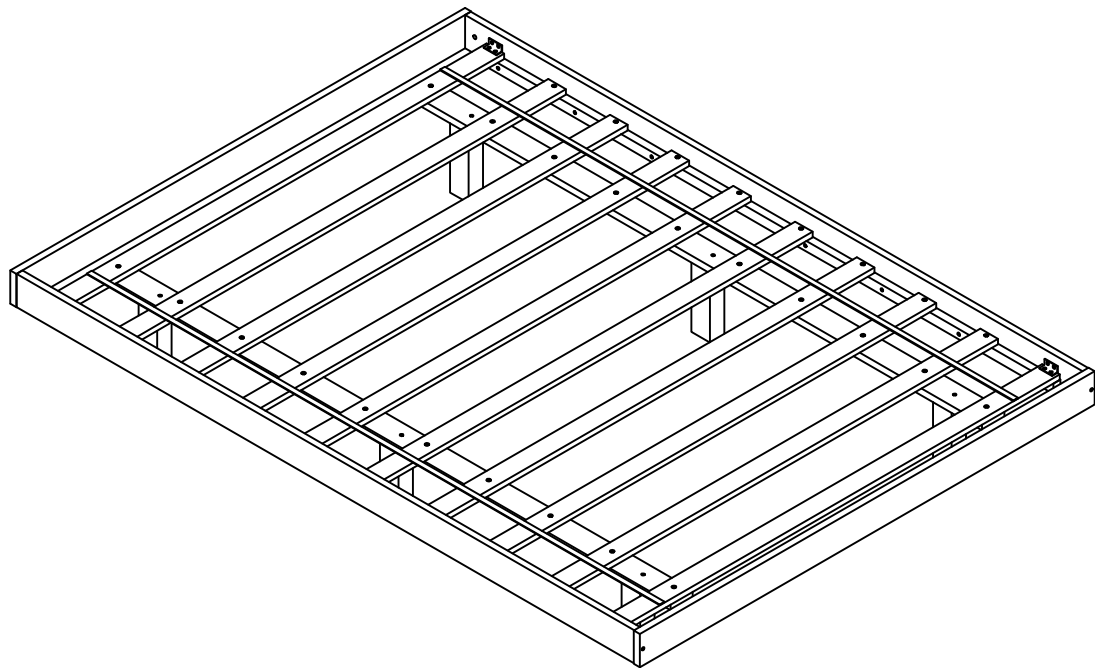


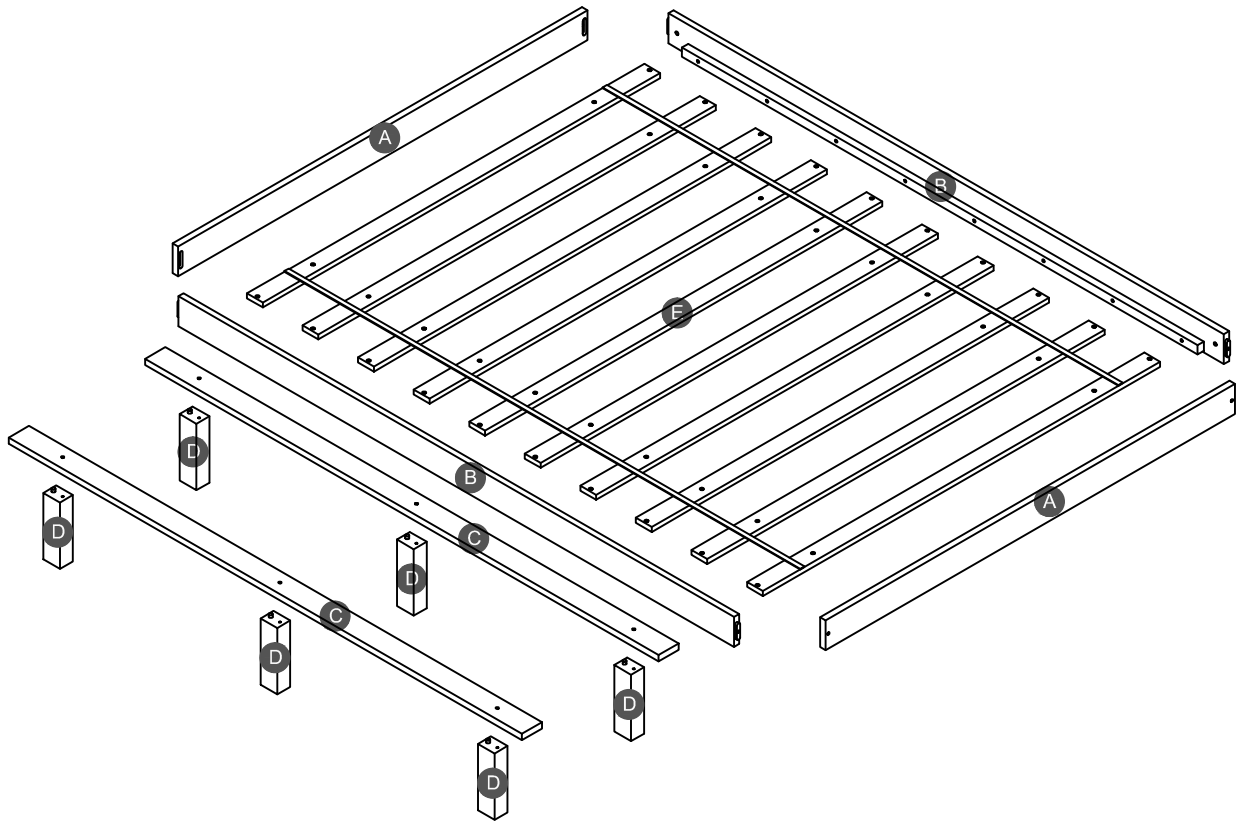
# ASSEMBLY INSTRUCTIONS

## FULL FLOATING BED, LED LIGHT

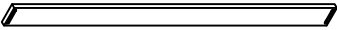

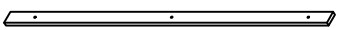
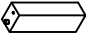
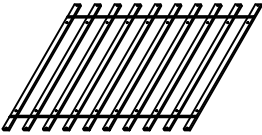


**SA33795**




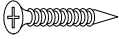

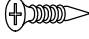
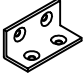

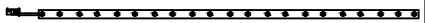


# Detail View



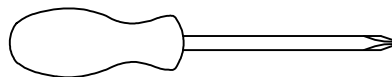
# Part List

<b>A</b>  Horizontal bar HBFB - 2pcs	<b>B</b>  Side rail - 2pcs	<b>C</b>  Lower support slat - 2pcs
<b>D</b>  Leg support - 6pcs	<b>E</b>  Slat - 1Set = 10pcs	

# Hardware List



<b>1</b>  (Ø12)1/4"*60mm Hex-Head bolts (4pcs)	<b>2</b>  1/4"*15 (9.5mm) Horizontal-Hole bolts(4pcs)	<b>3</b>  (Ø12)1/4"*50mm Hex-Head bolts (6pcs)
<b>4</b>  Ø4*30mm Wood screws (40pcs)	<b>5</b>  (1/4")4.5*58mm Allen key (1pc)	<b>6</b>  Ø3.5*15mm Wood screws (21pcs)
<b>7</b>  40*18*18*2mm Metal bracket (4pcs)	<b>8</b>  L3000mm Adapter and wire strip (1pc)	<b>9</b>  L5000mm Led light (1pc)
<b>10</b>  22*10*6mm Clamp plastic (1pc)	<b>11</b>  18*20*20*1.5mm Metal bracket (4pcs)	

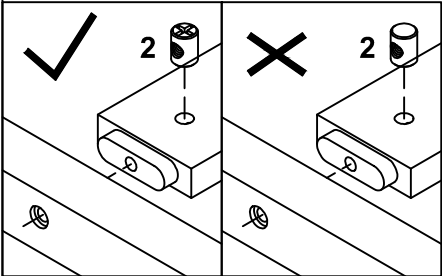
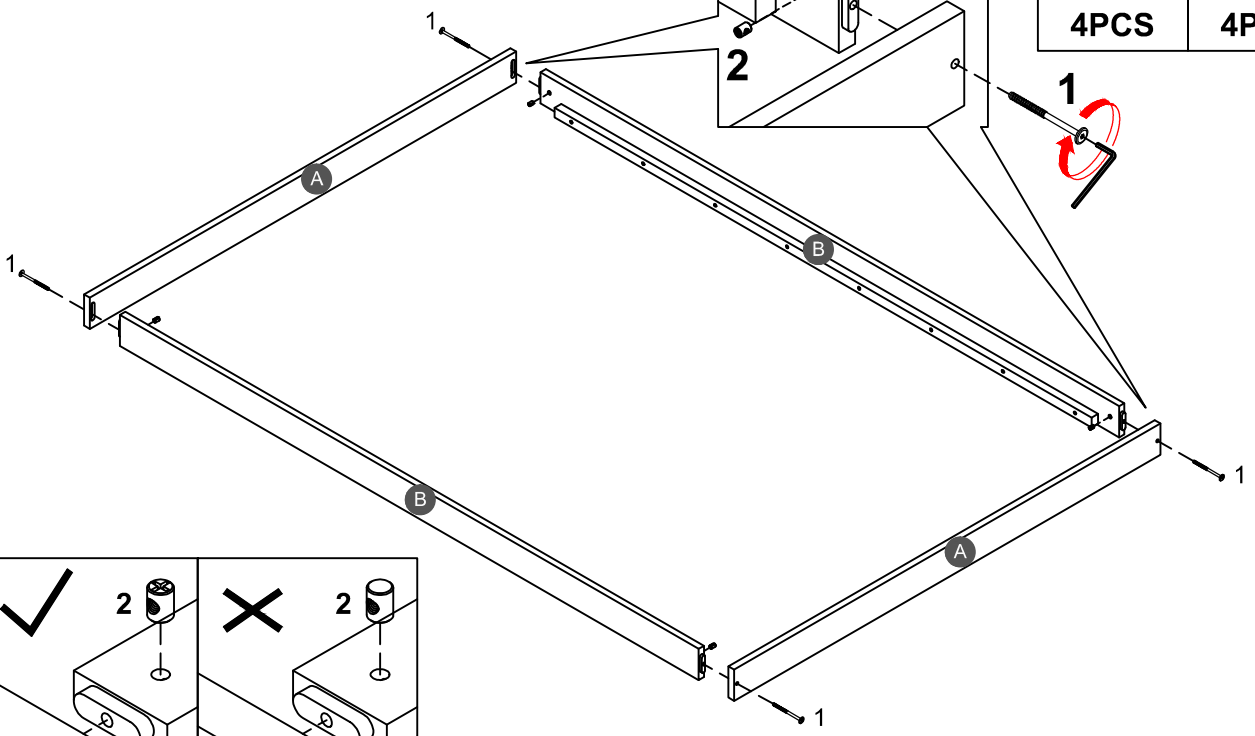
## ASSEMBLY TOOLS REQUIRED ( NOT INCLUDED )



PLEASE BE CAREFUL DO NOT DAMAGE THE HOLE POSITION WHEN YOU USE POWER TOOLS !


**STEP 1:**

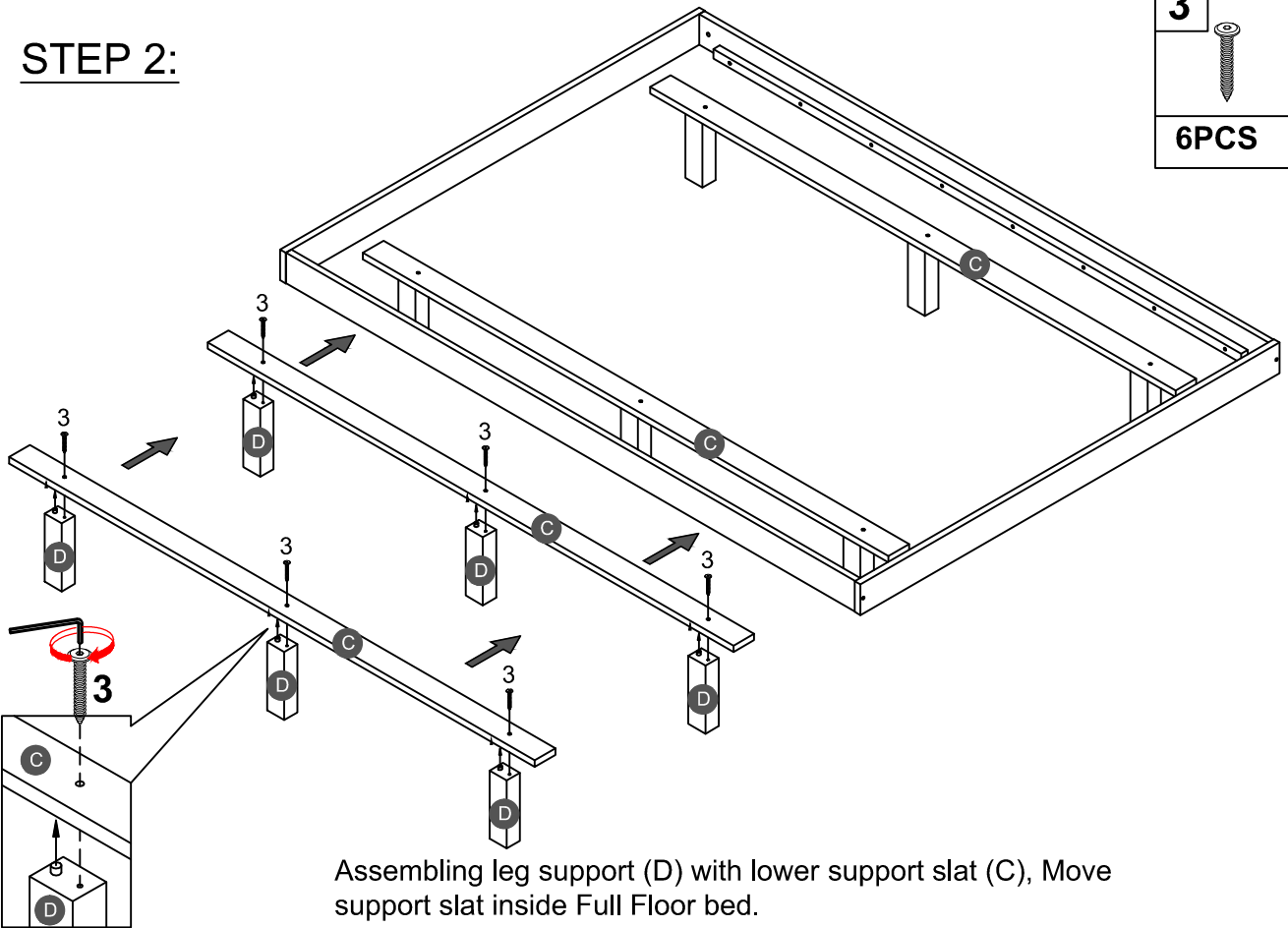
<b>1</b>		<b>2</b>	
<b>4PCS</b>		<b>4PCS</b>	



Note: Part 2 will face up with the "x" mark on it, otherwise it cannot be tightened

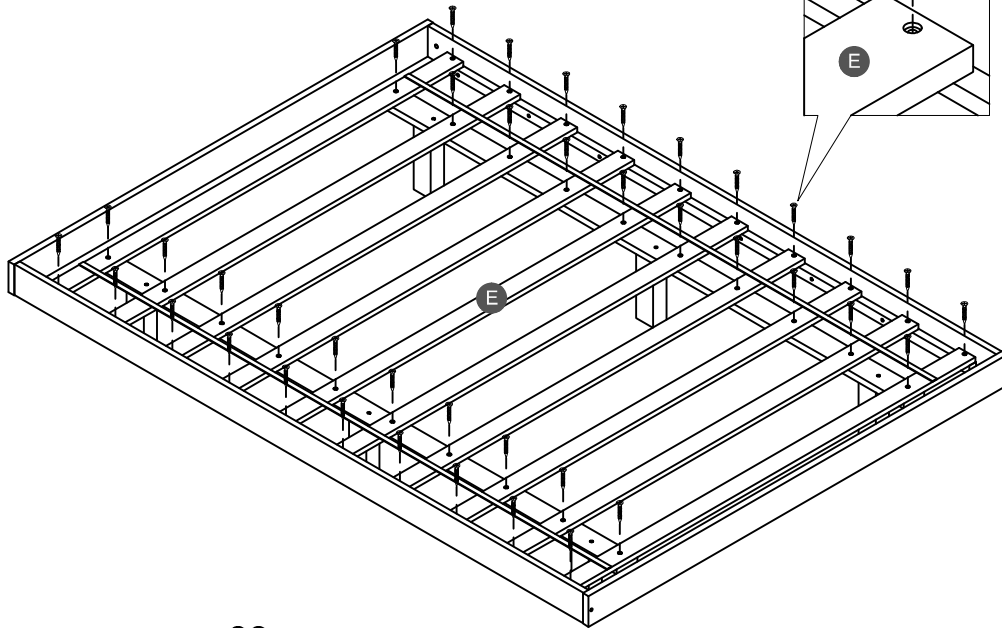
**STEP 2:**

<b>3</b>	
<b>6PCS</b>	



Assembling leg support (D) with lower support slat (C), Move support slat inside Full Floor bed.

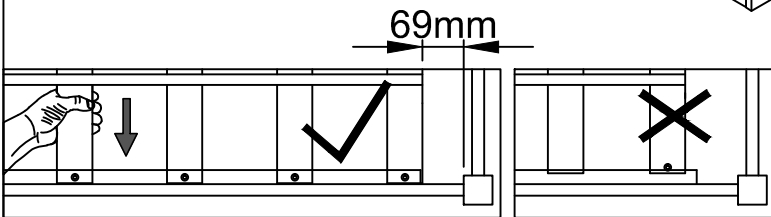
**STEP 3:**



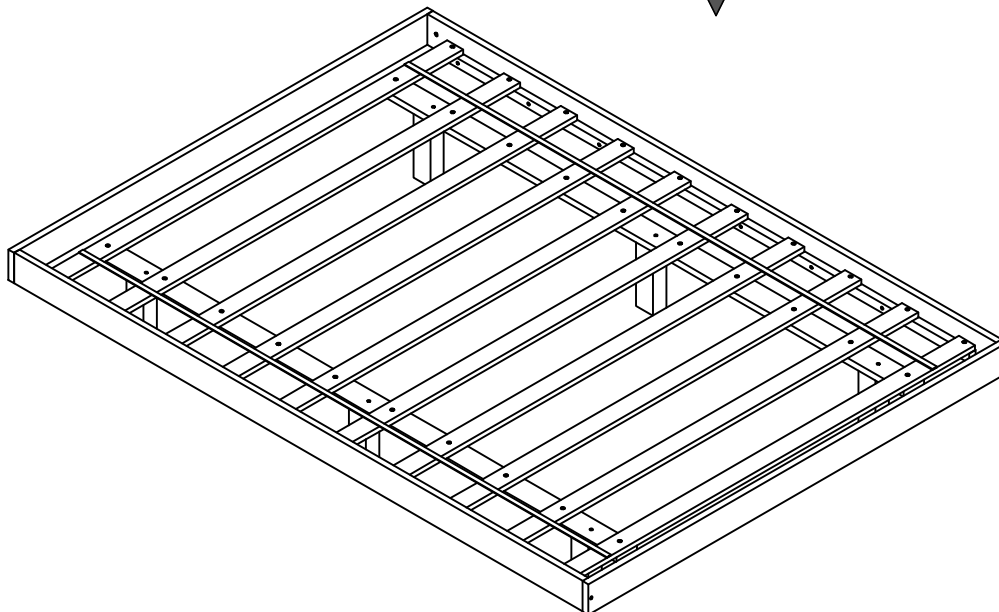
4



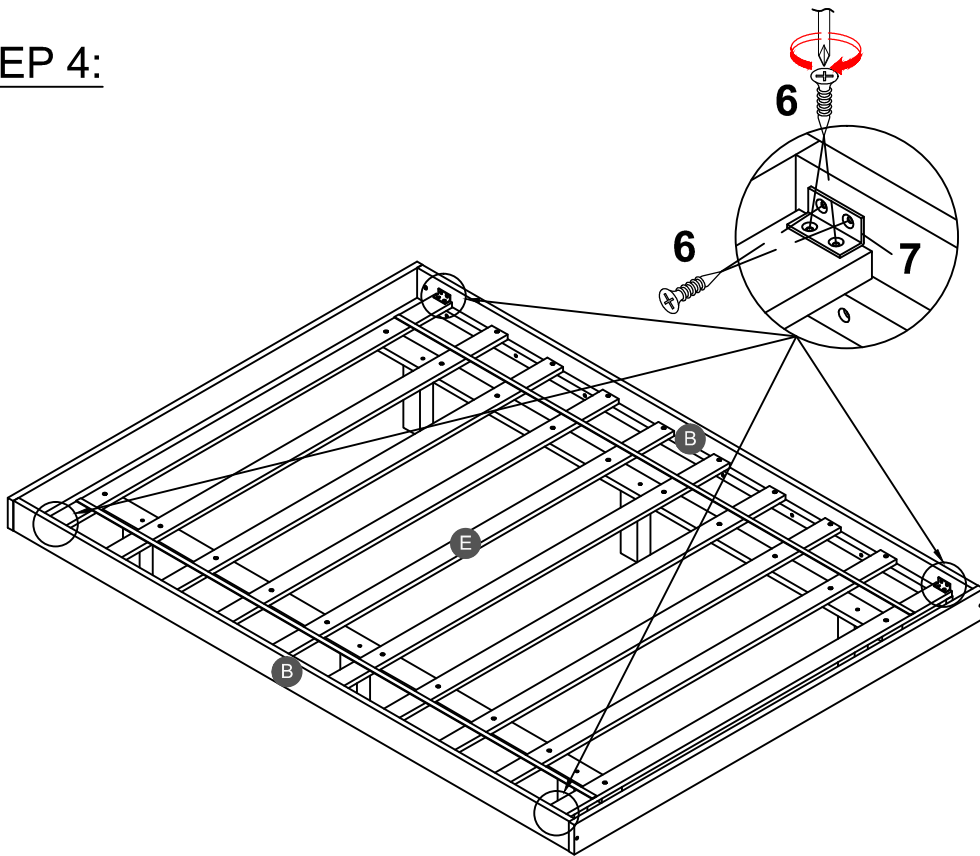
40PCS



Note: Do not lock the screws of the bed slats to the outermost edge of the bed slats, you need to leave a certain space at the edges, otherwise it will cause the board to break. Do not lock the bed slats on the edge of the wood, please hold firmly before screwing , hold it in place with one hand, then lock the screw.

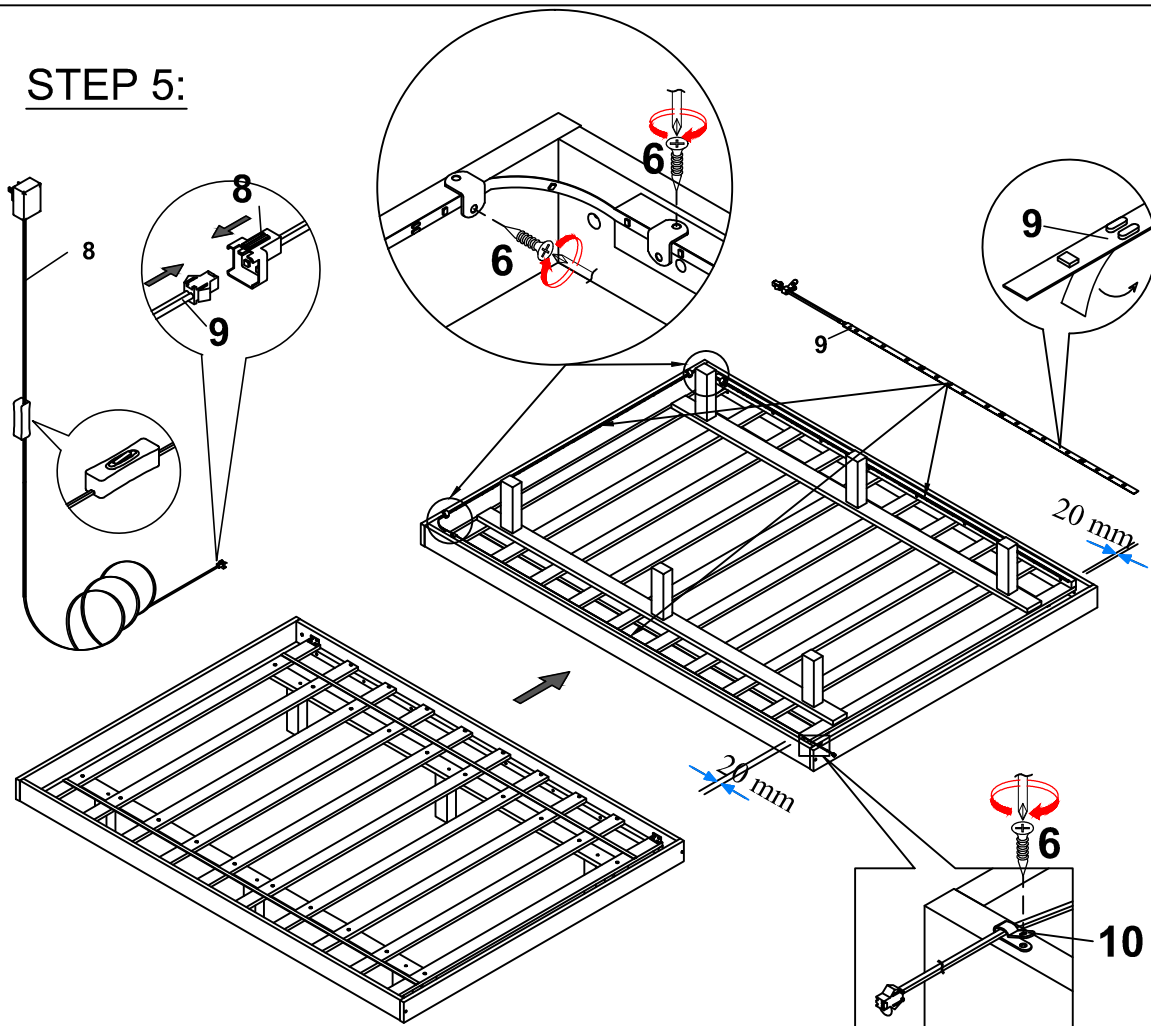


**STEP 4:**



6	
	16PCS
7	
	4PCS

**STEP 5:**



6	
	5PCS
8	
	1PC
9	
	1PC
10	
	1PC
11	
	4PCS