

ASSEMBLY INSTRUCTION

KING BED

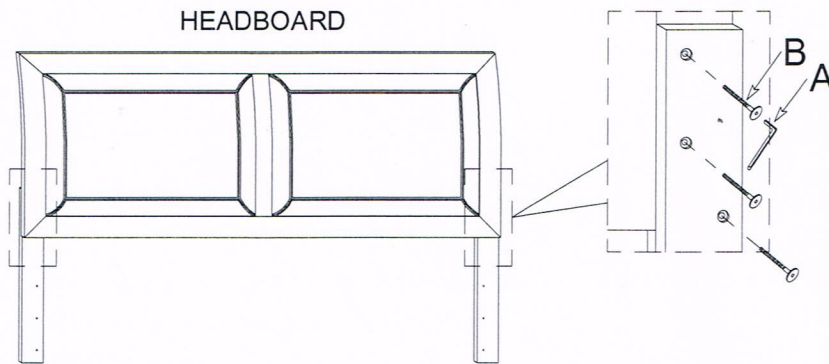
Page : 1 OF 1

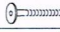

Before you begin, please read Assembly Instruction carefully and recognized the part and hardware. Then follow them step by step.

ASSEMBLY TIPS:

Remove hardware from box and sort by size.

Please check to see that all hardware and part are present prior start of assembly.



NO	HARDWARE DESCRIPTION	QTY
A.	Bolt M6 x 35mm 	6PCS
B.	Allen Key 	1PC
Screw Driver Not Provide !!!		

TIPS:

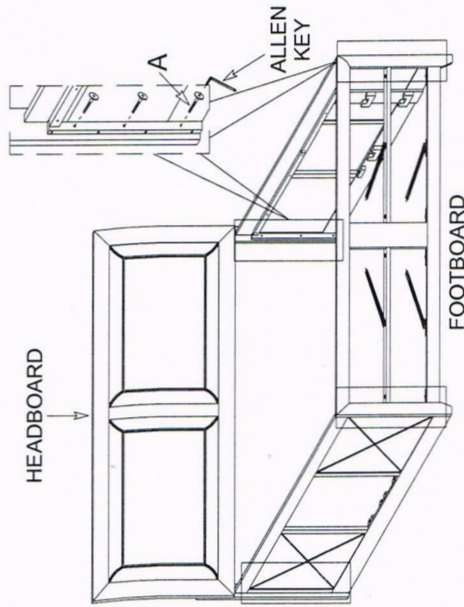
Attach & tighten the Headboard Leg (R&L)
to the Headboard. Use JCBC Bolt M6 x 35mm
& Allen Key to fix.

ASSEMBLY INSTRUCTION

KING BED

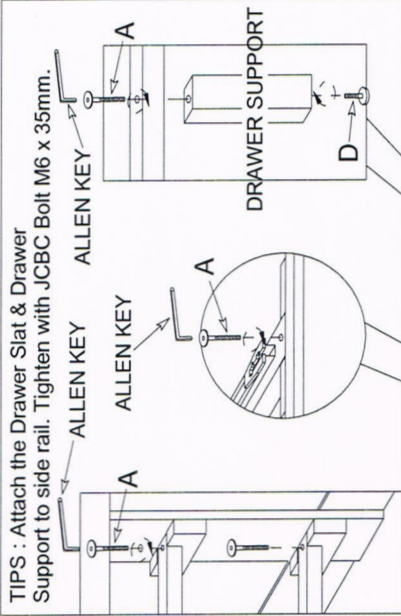
Before you begin, please read Assembly Instruction carefully and recognized the part and hardware. Then follow them step by step.

STEP 1.

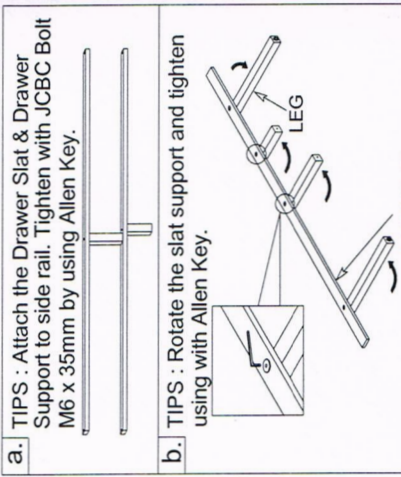


TIPS:
Attach the Side Rail to the Headboard & Footboard. Tighten with JCBC Bolt M6 x 25mm by using Allen Key.

STEP 2.

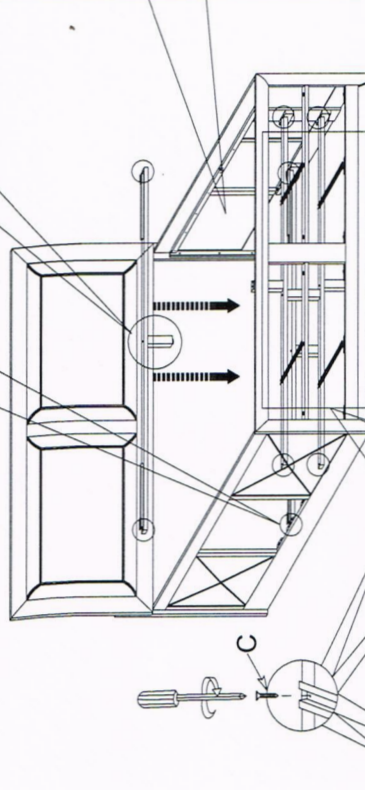


TIPS : Attach the Drawer Slat & Drawer Support to side rail. Tighten with JCBC Bolt M6 x 35mm.

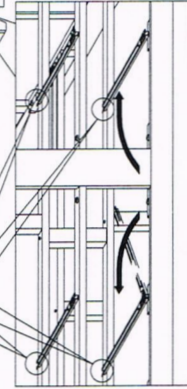


a. TIPS : Attach the Drawer Slat & Drawer Support to side rail. Tighten with JCBC Bolt M6 x 35mm by using Allen Key.

b. TIPS : Rotate the slat support and tighten using with Allen Key.



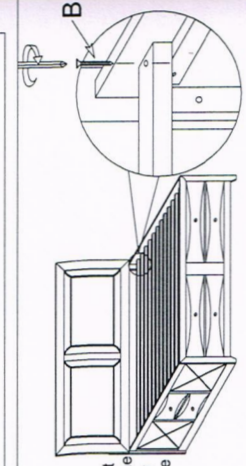
c. TIPS : Attach the Slat to long slat & Drawer Support . Tighten with JCBC Bolt M6 x 35mm by using Allen Key.



TIPS : Rotate the "T" Runner at Footboard to Drawer Slat. Tighten "T" Runner at Drawer Slat with Chipboard Screw M4 x 16mm.

STEP 3.

TIPS : Attach the Bed Slat to the Side Rail. Fasten the Bed Slat by tighten Screw through the pre-drilled hole of Bed Slat. Insert all Drawer until completely closed.



NO	HARDWARE DESCRIPTION	QTY
A.	JCBC Bolt M6 x 35mm	29PCS
B.	Chipboard Screw M4 x 32mm	30PCS
C.	Chipboard Screw M4 x 16mm	4PCS
D.	Adjuster Screw M6 x 24mm	2PCS

Screw Driver Not Provide !!!