



## Concealed thermostatic shower installation manual

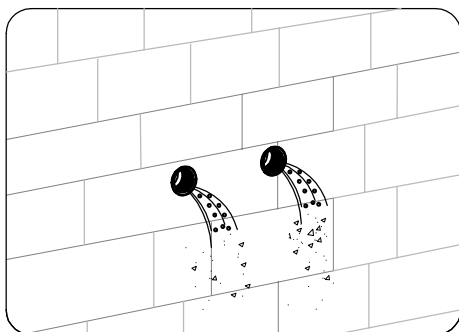


KCHS0003-16

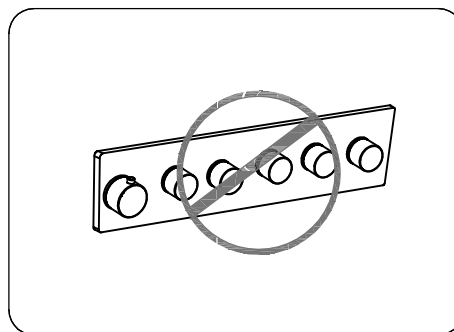
## Installation attention items

- 1、The product has been strictly tested, please do not disassemble it privately, so as not to affect the service life of the product.
- 2、Before installing the shower, the impurities in the water pipe must be rinsed (Figure 1 below).
- 3、Please strictly follow the dimensions and installation instructions in the dimension drawing for installation.
- 4、Since the temperature control valve core is a relatively precise part, please do not disassemble it privately, otherwise it may cause water leakage and other adverse phenomena.
- 5、Please do not bump the main body of the faucet, otherwise it may cause malfunction and water leakage.
- 6、After the installation is completed, please check whether there is any water leakage at the connection, and make sure that the seal is firm before pouring concrete.
- 7、To keep the surface of the product bright for a long time, when cleaning the surface, gently wipe with a cotton towel dampened with water.
- 8、Do not use any acidic cleaners to clean the surface.

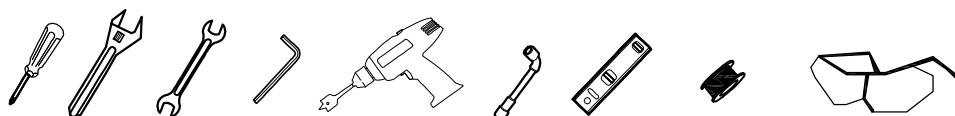
1. Please open the water valve to rinse out the impurities in the pipe

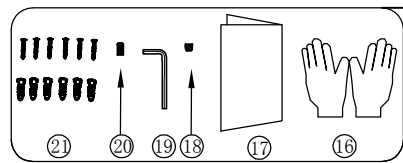
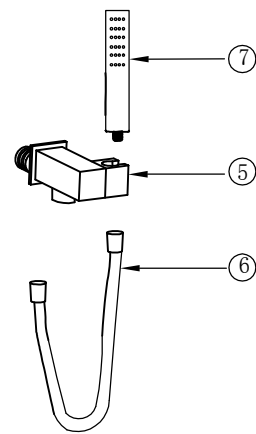
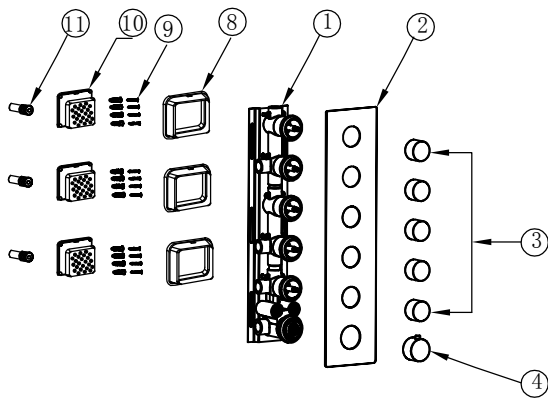
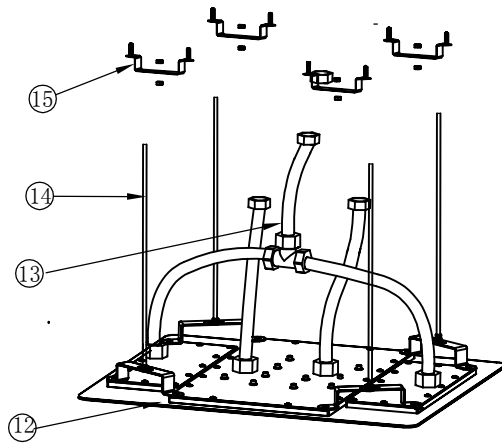


2. wrong direction



Tools You May Need for  
Shower Installation



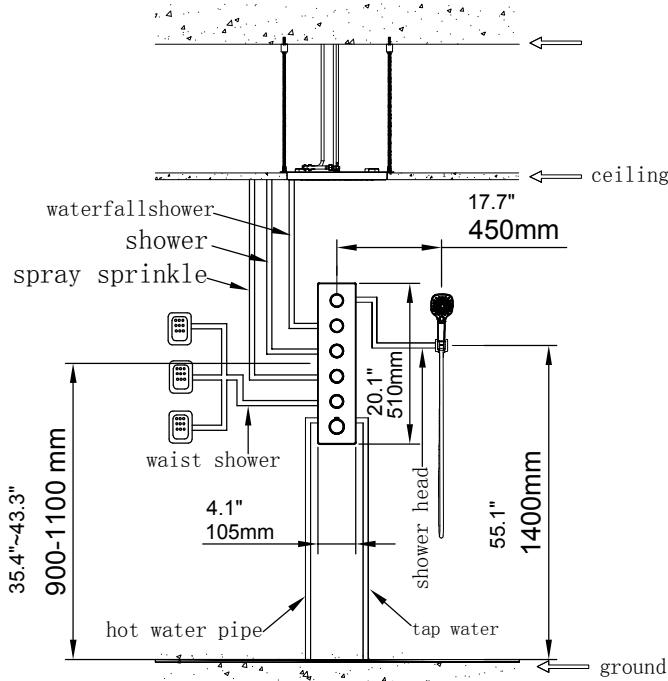


### Accessories

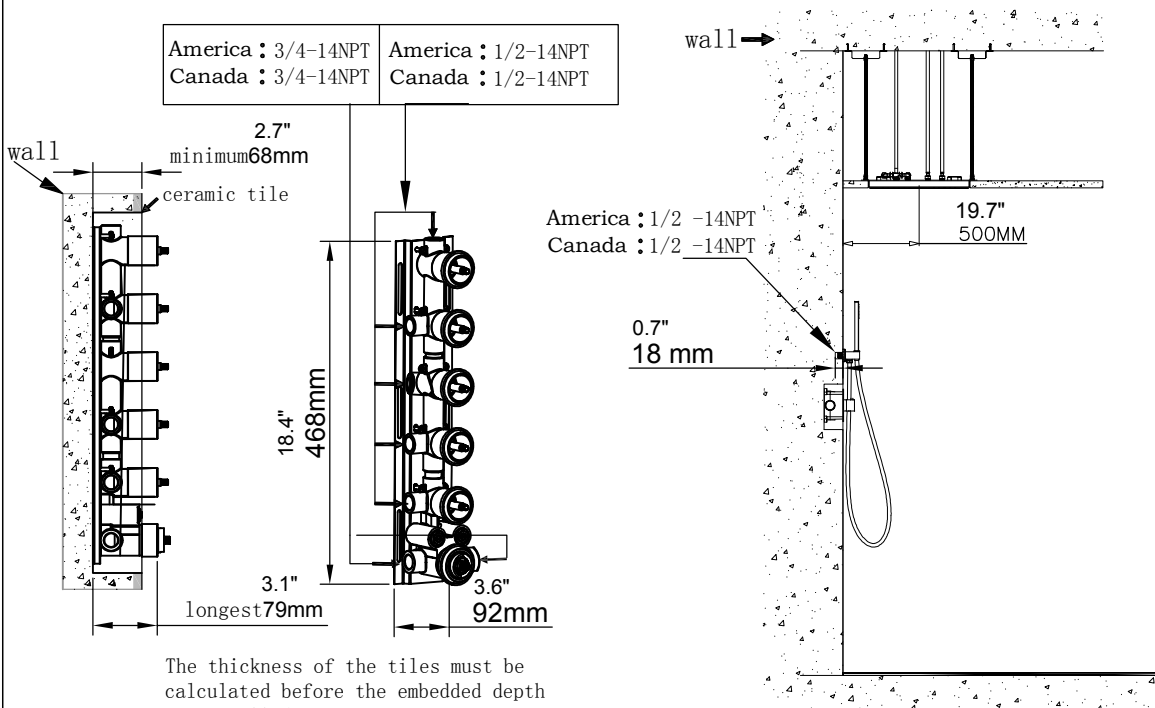
project	Parts name	quantity	project	Parts name	quantity	project	Parts name	quantity
①	shower valve body	1	⑧	decorative cover	3	⑮	fixed bracket	4
②	decorative panel	1	⑨	screws	12	⑯	Gloves	2
③	switch knob	5	⑩	waist shower	3	⑰	Contents Manual	1
④	temperature knob	1	⑪	1/2NPT connector	3	⑱	Knob rubber plug	6
⑤	shower bracket	1	⑫	ceiling shower head	1	⑲	Allen wrench	1
⑥	Connecting pipe	1	⑬	Connecting pipe	5	⑳	Knob screw	4
⑦	shower hend	1	⑭	threaded rod	4	㉑	set screw	10

# Installation diagram

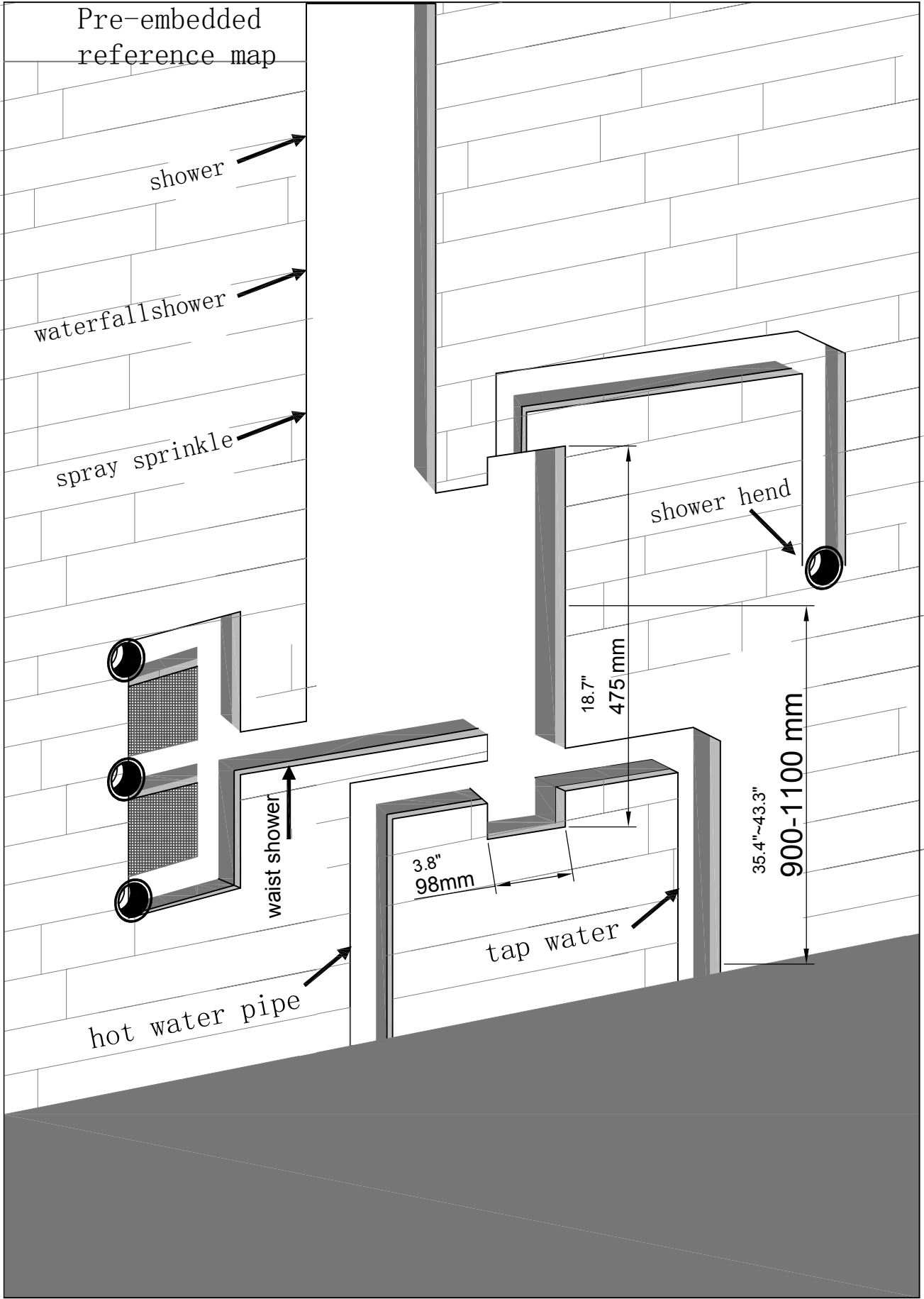
unit:mm

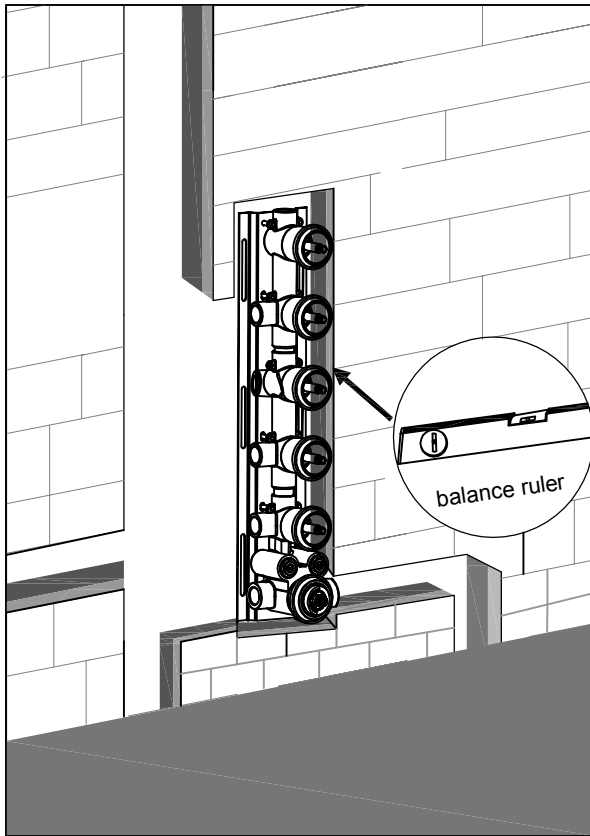


America : 3/4-14NPT	America : 1/2-14NPT
Canada : 3/4-14NPT	Canada : 1/2-14NPT

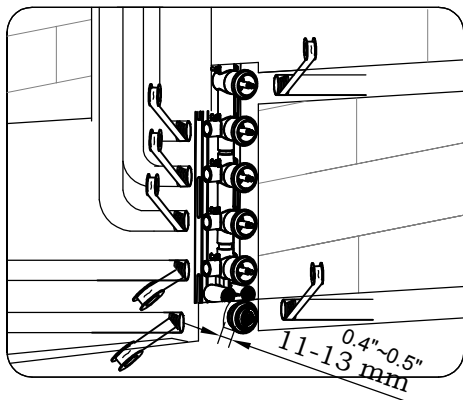


The thickness of the tiles must be calculated before the embedded depth is installed

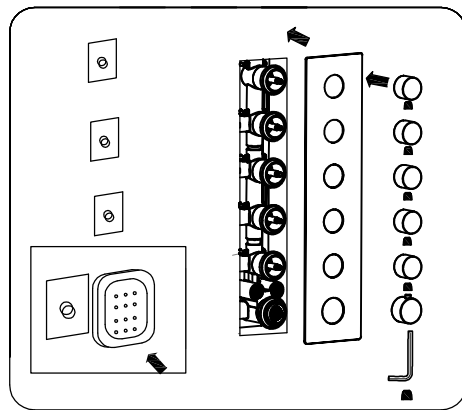




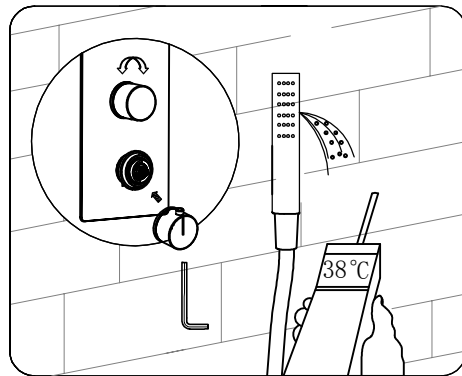
1, Adjust the horizontal and vertical lines of the valve body with a balance ruler.



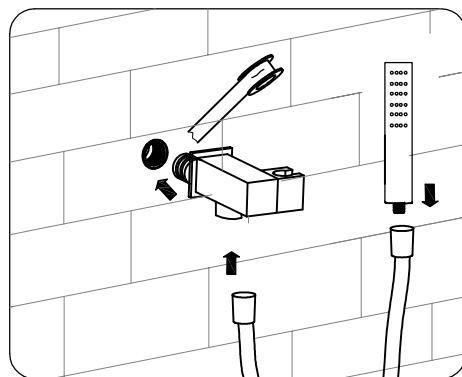
2. Raised and tiled surfaces preserve best 11-13mm(0.4"~0.5")



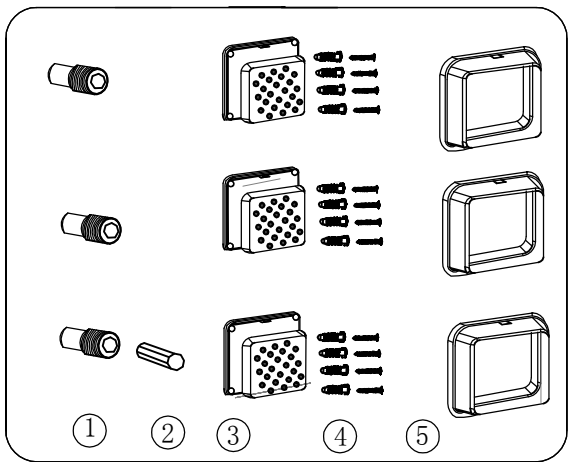
3. Water pipes and valve body pouring concrete, waiting for concrete Curing Follow the instructions in the picture to install the knob.



4. Hot water and tap water enter the valve body at the same time and open the shower to discharge water Adjust the temperature, US temperature is set to 100F° ; Canada, The European default setting is 38C° , the adjustment is complete Install the knob with an Allen key

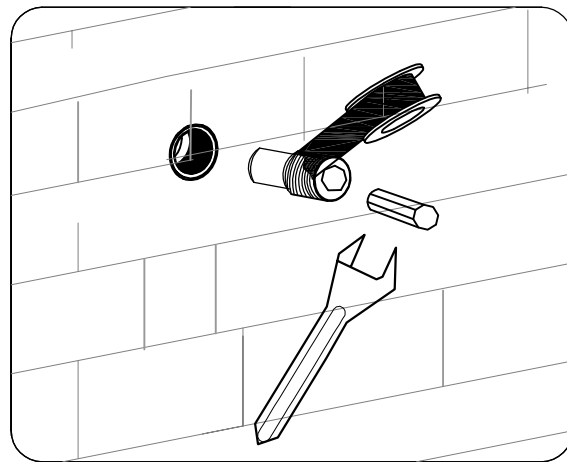


5. Follow the instructions in the picture to install

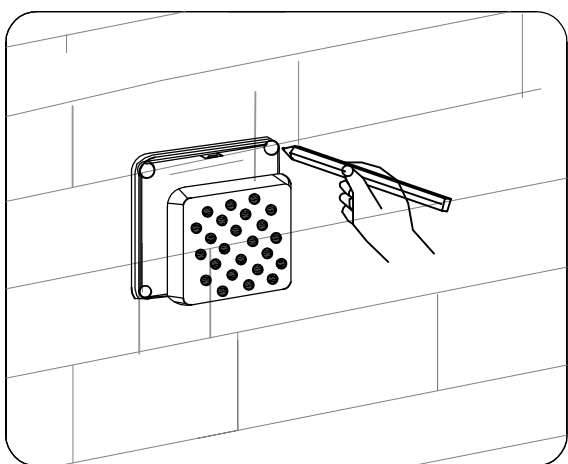


### 6. 背部淋浴组合零件

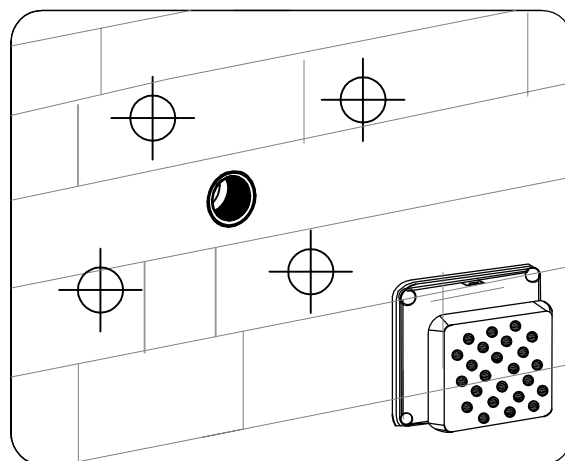
序号	名称	数量		
①	1/2-14NPT 接头	3	④	螺丝包
②	六角扳手	3	⑤	侧喷装饰盖
③	侧喷组件	3		

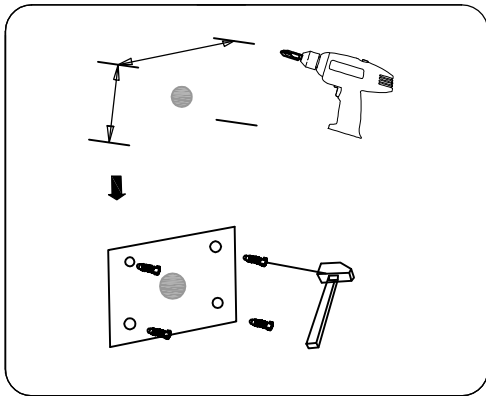


### 7. 用生料缠好并拧上接口处

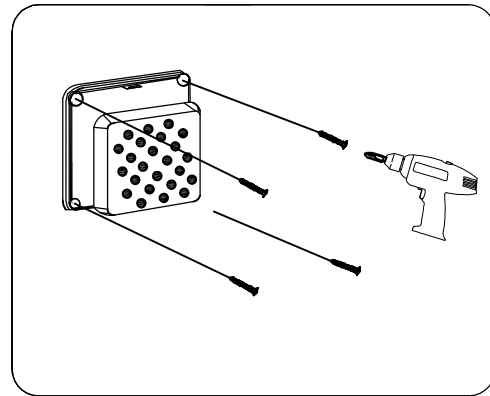


### 8. 用笔画孔位

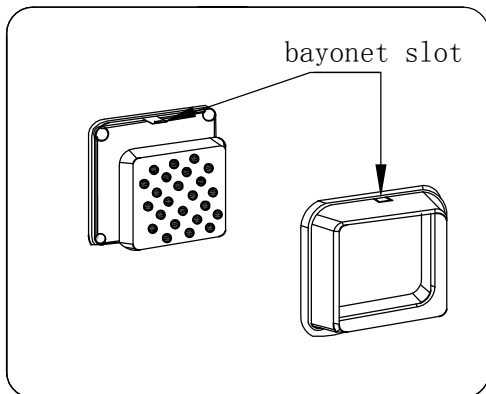




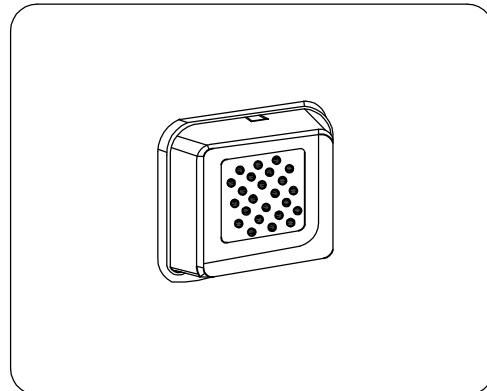
9. After punching, use a tool to knock the rubber particles in



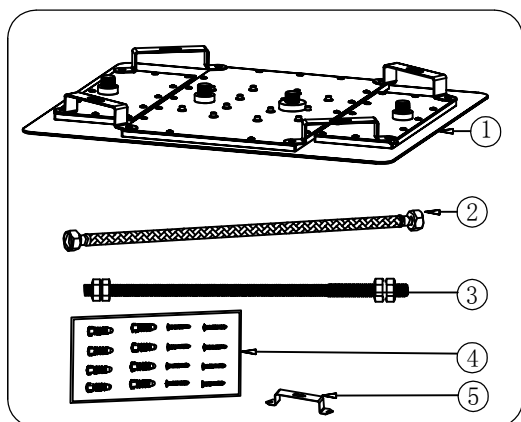
10. Align the holes and install the screws



11. Align the bayonet and push gently

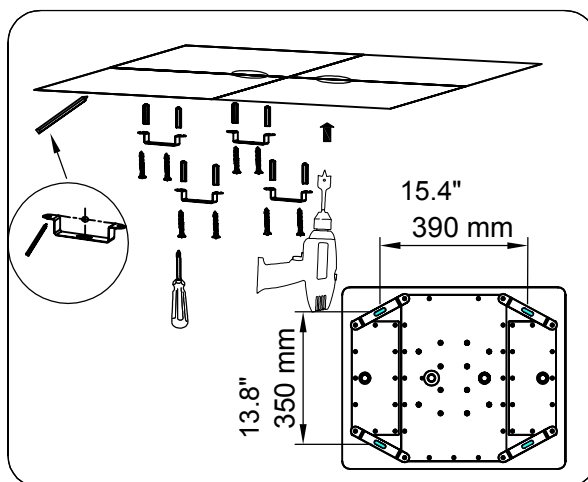


12. The installation is complete

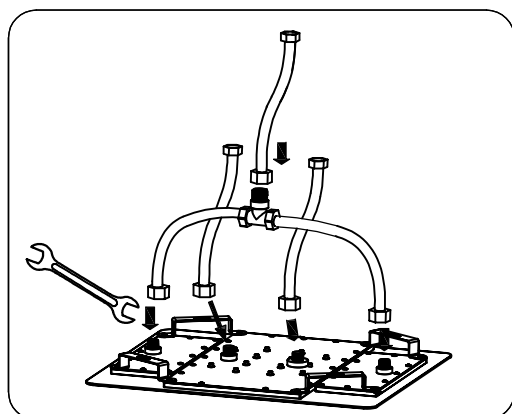


13. shower assembly parts

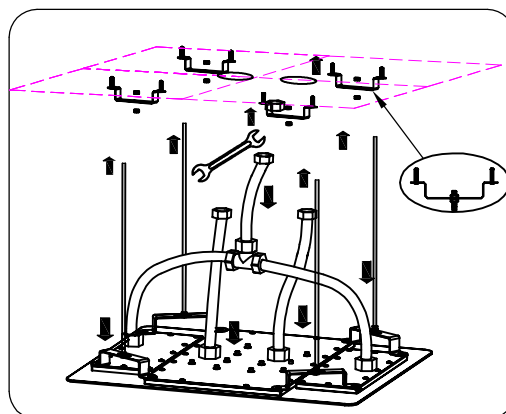
project	Parts name	quantity
①	ceiling shower	1
②	Connecting pipe	5
③	threaded rod	4
④	screws	1
⑤	fixed bracket	4



14. Fix the position with a fixed block, draw the hole position, the hole distance is 390mm\*350mm, (13.8"\*15.4") According to the actual distance of the shower, after drilling with an electric drill, Use a tool to drive the pellets into the wall. Tighten the screws with a screwdriver.



15. Install the hose attached to the top and tighten with an Allen key. Both ends are connected with three-way pipes, and the middle is straight through connect.



16. After connecting the shower pipe, check whether the water outlet effect is correct, and adjust the height to be flush with the ceiling.

# reading

1:The product has been tested before leaving the factory, and the inside of the valve body There may be water dripping out, there is no quality problem.

2:Turn on the knob, please try the temperature with your hands first to avoid accidental burns.

3:If you need to adjust the temperature, you must slowly turn the knob to adjust , Adjusting too quickly will produce instantaneous high temperature, to avoid instant high temperature burns.

4:Align the thermostat knob to the line on the trim plate 100F° or 38° C, the temperature defaults to /100F° , or 38° C (if using high temperature) After hot water, the thermostat knob must return to 100F° , or 38° C position in case you forget to switch back to the original position to prevent high temperature burns.

5.The thermostatic shower cannot be used in an environment below -5° C, otherwise it may fail due to freezing and cause burns.

**Website:** [www.casainc.com](http://www.casainc.com)

Contact Phone Number: 888-257-3857

Service Contact : [service@casainc.com](mailto:service@casainc.com)