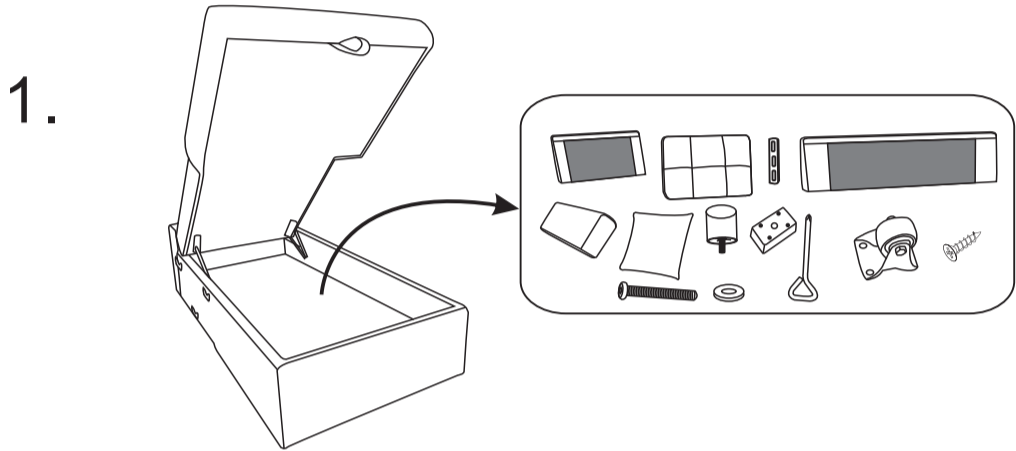


# ASSEMBLY INSTRUCTION

Ax1 	Bx1 	Cx1 	Dx1 	Ex1 	Fx6 	Gx6 	Hx2 	Ix2 	Jx2 	Kx1 	Lx1 
Mx2 	Nx8 										



OPEN ZIPPER, PICK OUT PARTS

