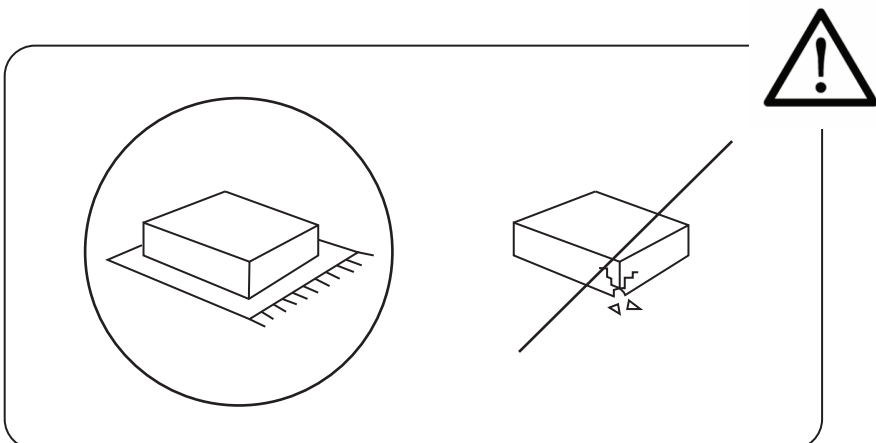
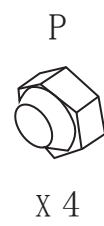
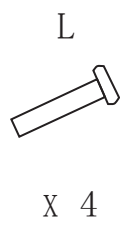
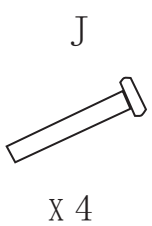
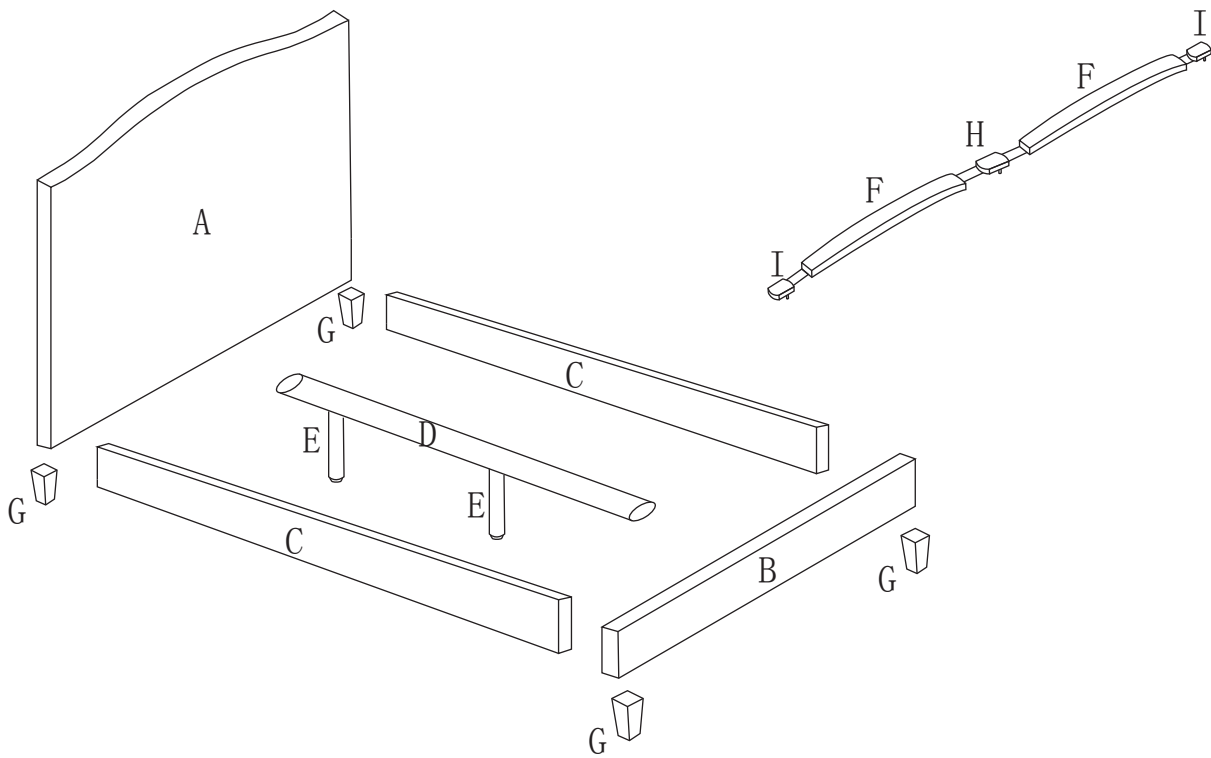
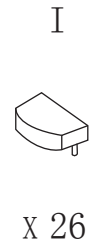
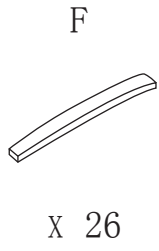
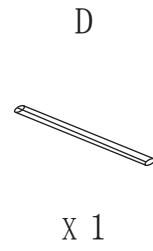
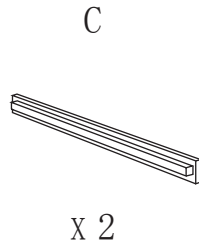
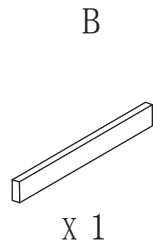
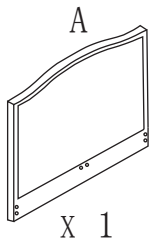


60'

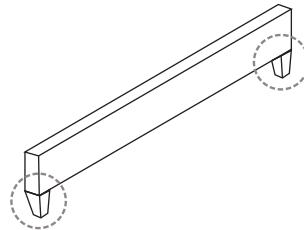
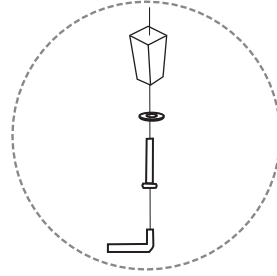
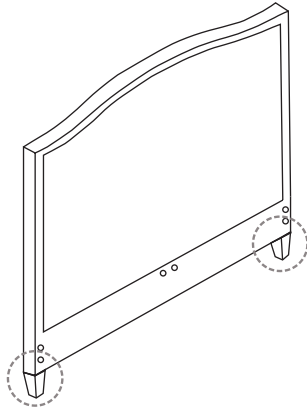


2









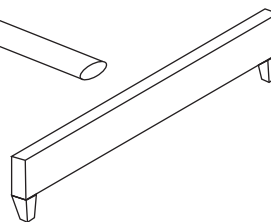
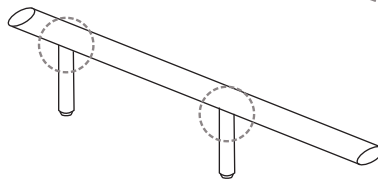
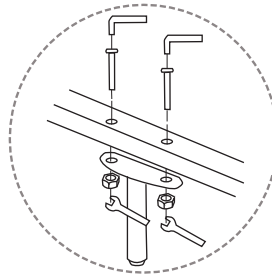
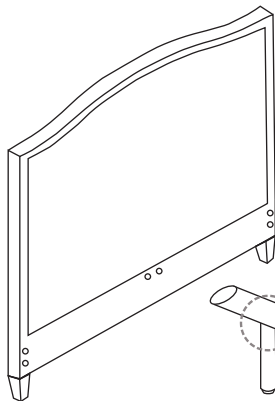
1

 Ax1  Bx1  G x4  O x4  Jx4  M x1



2

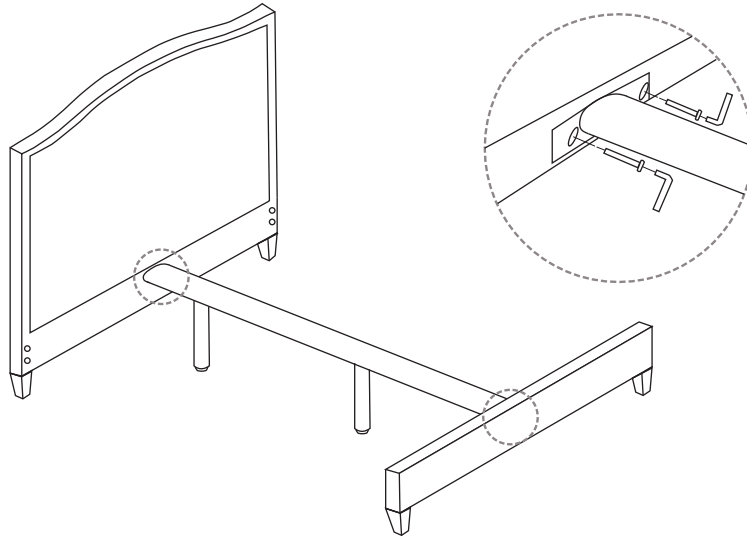
 Dx1  Ex2  Lx4  Px4  M x1
 Q x1



3

 K x4

 M x1



4

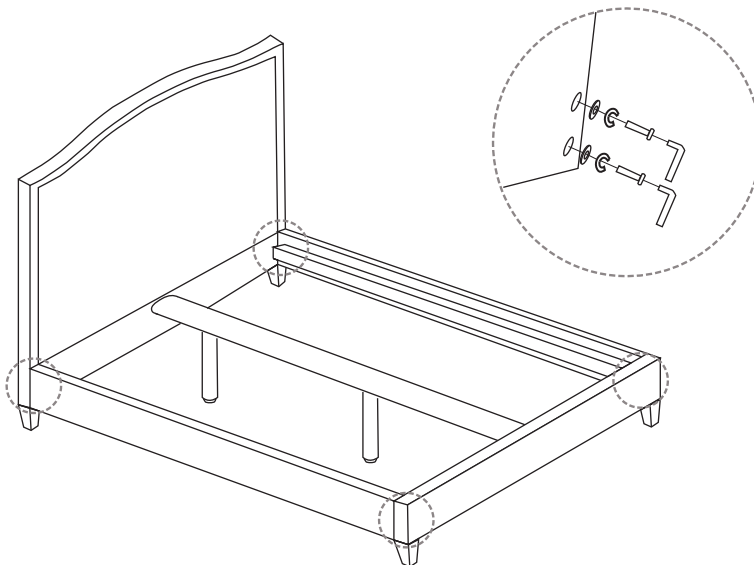
 C x2

 O x8

 N x8

 K x8

 M x1



5

 Fx26  Hx13  I x26

