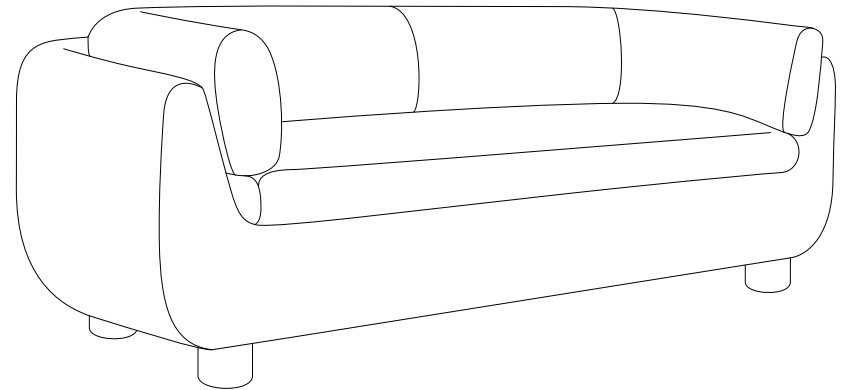


BECCALETA PERFORMANCE FABRIC SOFA

SFV2410A

Assembly Instructions



Need help?

Feel free to contact us via emails or call
if you have any specific question!

Contact us:

cs@safavieh.com
866-422-9070

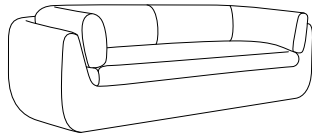
SAFAVIEH
C O U T U R E

Thanks for bringing Safavieh Couture into your home

Everything we make is incredibly simple to set up, including your new sofa. You won't need any additional tools.

Parts List

A x 1
SOFA BODY



B x 4
LEG



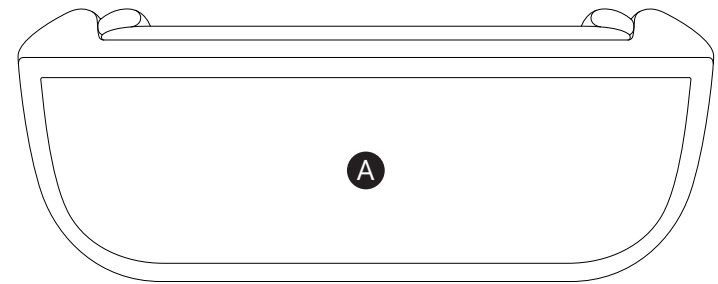
Hardware List

HW1 x 4
Plastic Washer



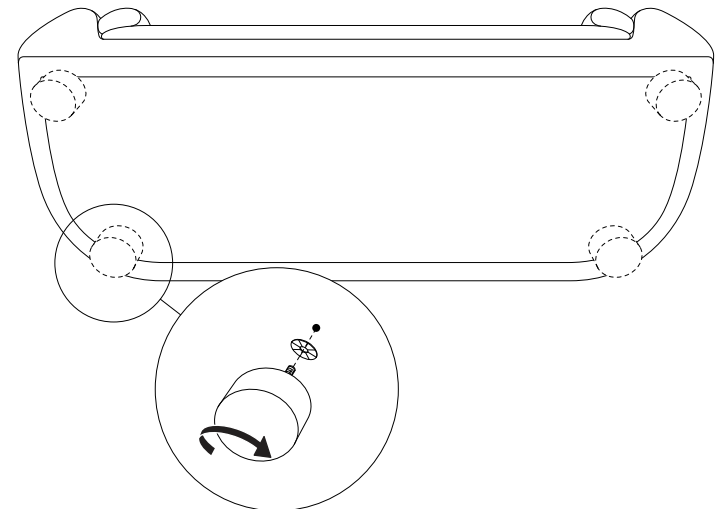
1

Carefully place the Sofa Body (A) on its back on a padded, non-scratching surface.



2

Place the Plastic Washer (HW1) on the screws already installed in the Legs (B). Screw the Legs (B) into the bottom of the Sofa Body (A) in a clockwise direction until they are fully tightened. Do not over tighten. Note: Hardware may loosen over time. Periodically check that all connections remain tight and adjust as needed.



3

Place the sofa in the place where you will use it. We'd love to see it – just tag us (we're @safavieh) and use the hashtag #safavieh on Instagram!

