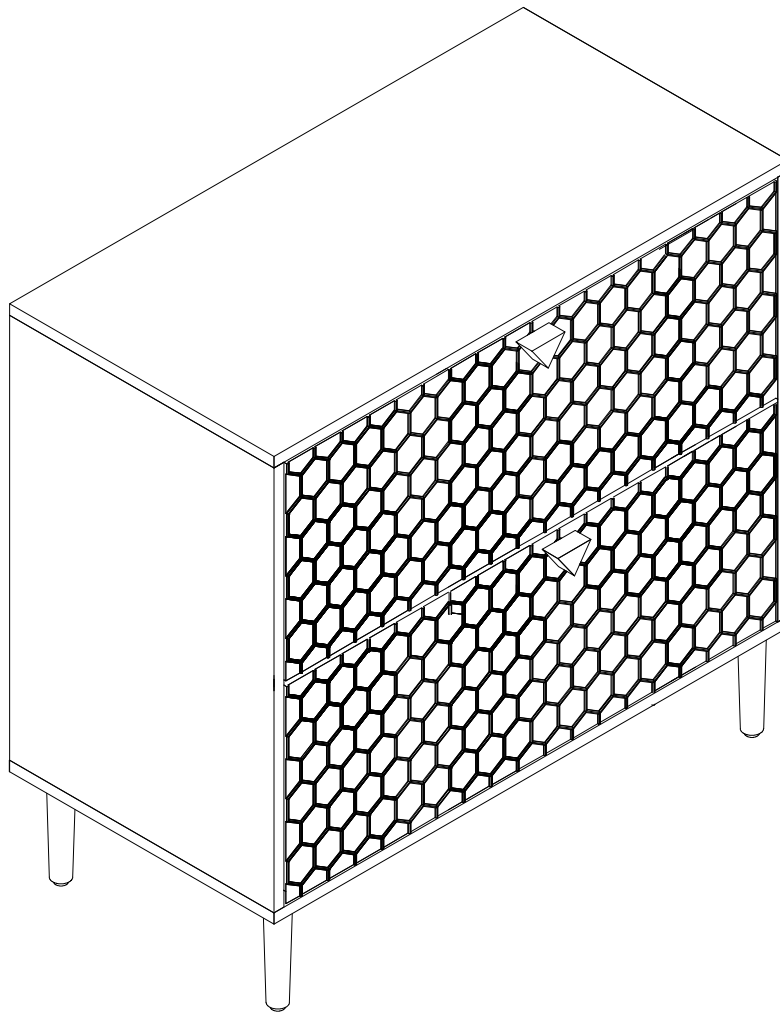


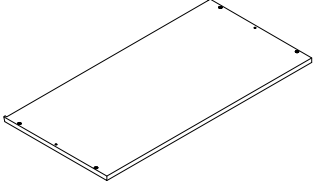
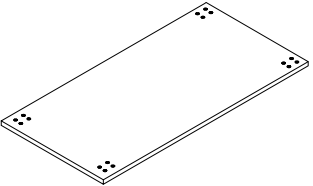
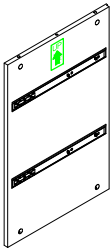
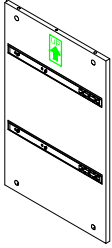
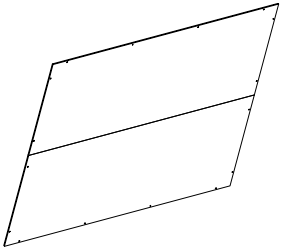

ASSEMBLY INSTRUCTIONS

1. Before installation, please read the Assembly Instruction carefully.
2. Please check whether the Parts and Hardware are consistent with the list.
3. It is normal for the sealed environment to smell, not a product quality problem.

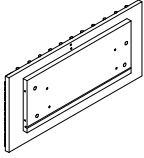
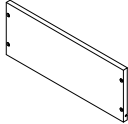
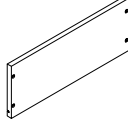
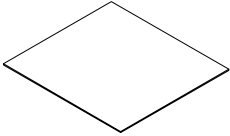
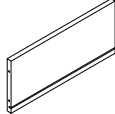


ASSEMBLY INSTRUCTIONS

Part List:

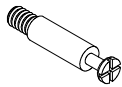

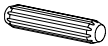


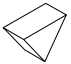
ITEM	DESCRIPTION	PART	QTY
1	Top panel		1
2	Bottom panel		1
3	Left side panel		1
4	Right side panel		1
5	Back panel		1
6	Leg		4

Part List:







ITEM	DESCRIPTION	PART	QTY
7	drawer front		2
8	drawer right side		2
9	drawer left side		2
10	drawer bottom		2
11	drawer back		2

ASSEMBLY INSTRUCTIONS

Hardware List:

ITEM	DESCRIPTION	PART	QTY
A	Camlock bolt		24
B	Camlock		24
C	Wooden dowel	 Φ8*30mm	4
D	Bolt	 Φ1/4"*1/2"	16
E	Allen wrench		1
F	Handle		2

Hardware List:

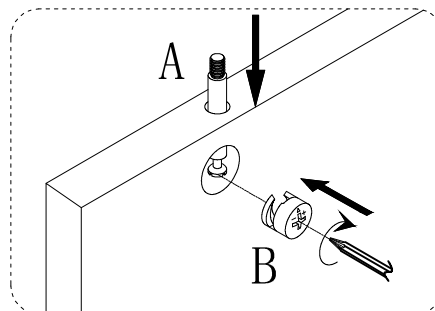
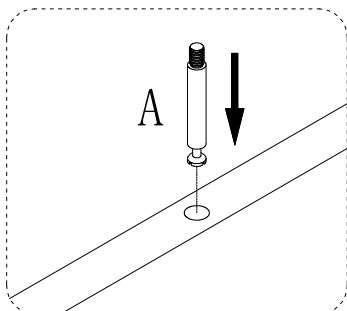
ITEM	DESCRIPTION	PART	QTY
G	Machine screw	 Φ5/32"*1 1/8"	4
H	Back screw	 Φ3*12mm	14
I	Safety wall strap		1
J	Plastic anchor		1
K	Mounting screw	 Φ4*38mm	1
L	Washer		1

- * Required screwdriver & mallet, not included.
- * Before discarding packing materials, please check to make sure that all parts and hardware is present.
- * Two people needed for assembly.
- * Please follow the instructions closely; do not over tighten screws or bolts unless instructed.
- * After a few days from initial assembly, the product may have acclimated to the new environment. Please retighten the hardware.

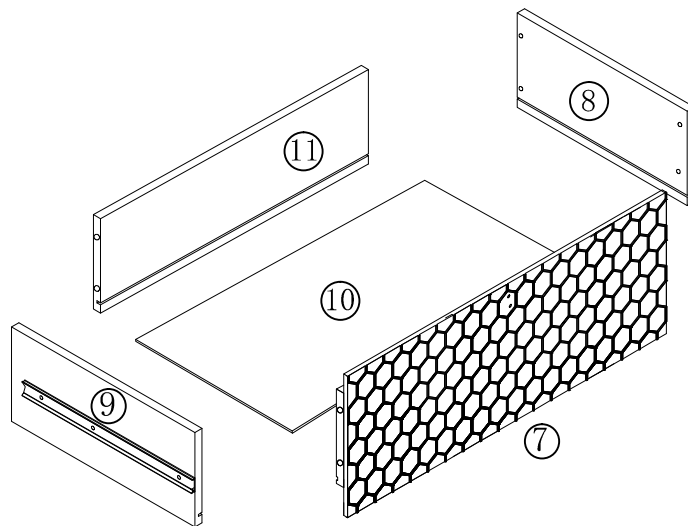
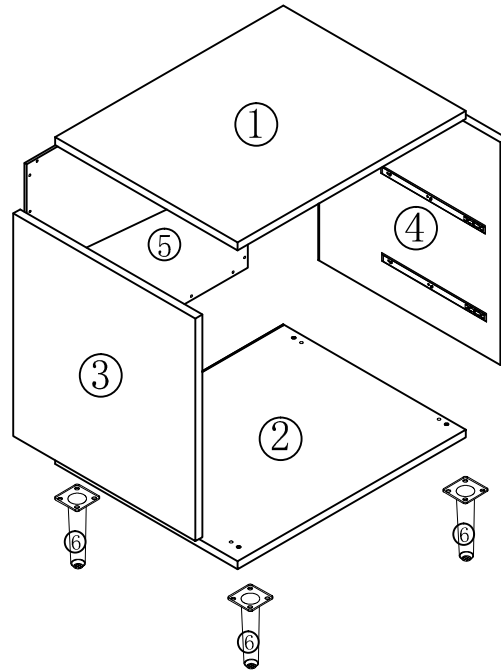
Screw camlock bolt (A) to wood part.

Do not assemble camlock (B) unless instructed.

To assemble camlock (B), ensure long side of the + is facing the bolt (A) before inserting into hole.



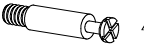


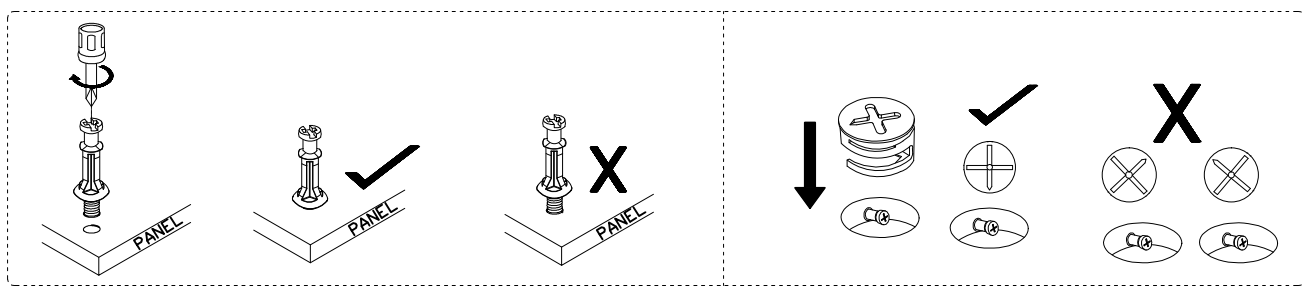
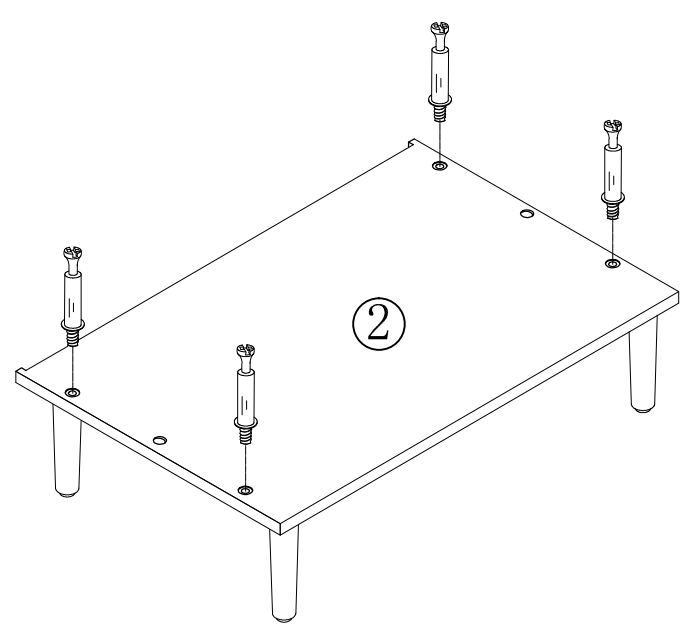
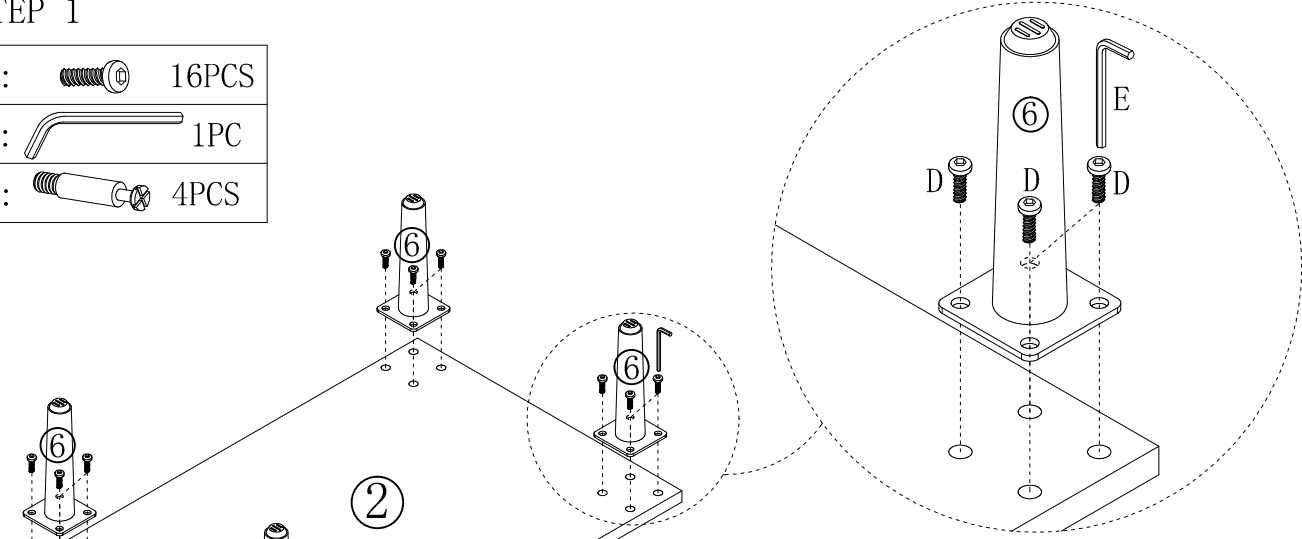
ASSEMBLY INSTRUCTION



ASSEMBLY INSTRUCTION

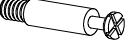

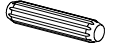
STEP 1

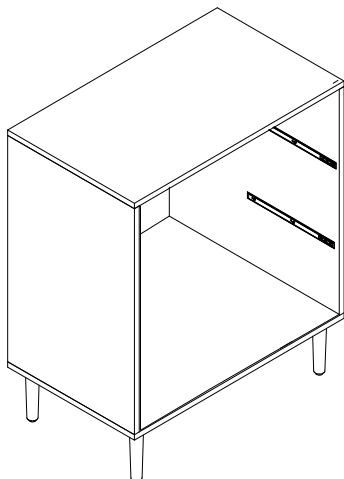
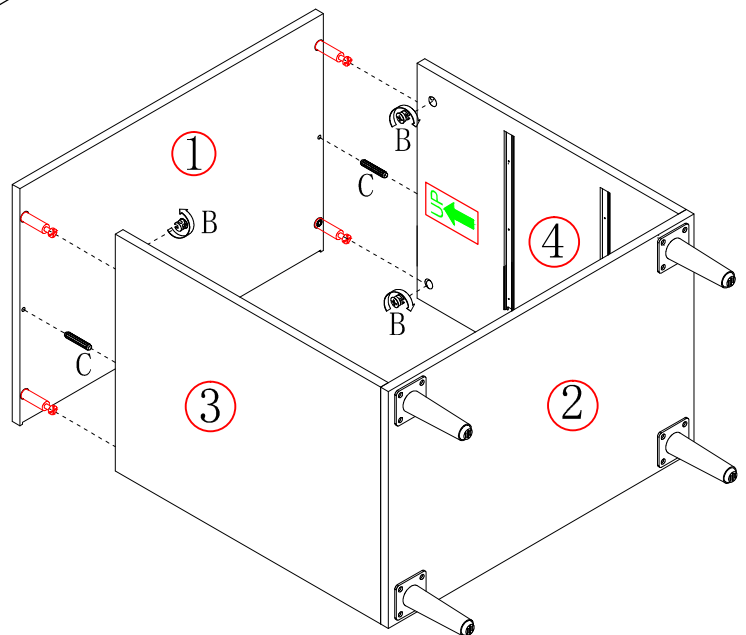
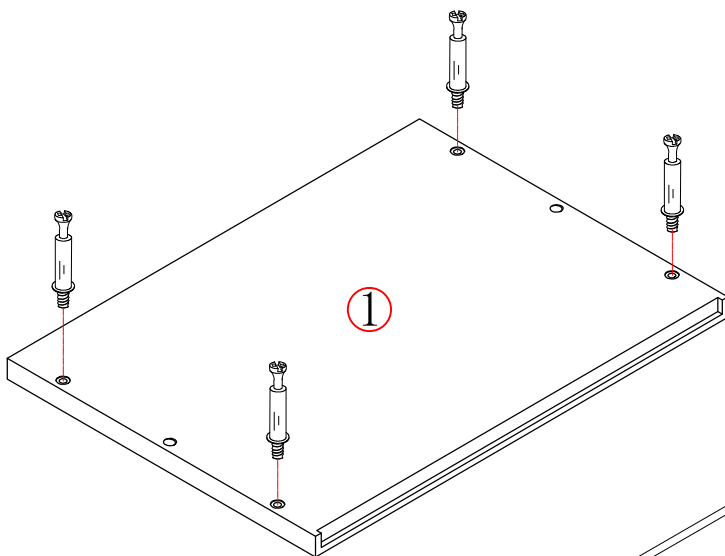
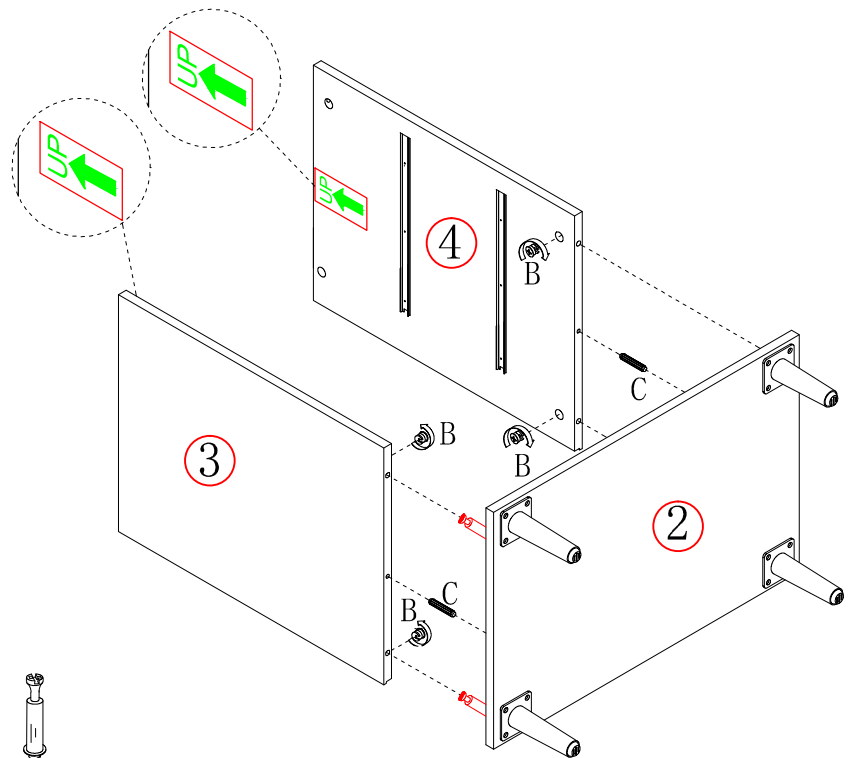
- D:  16PCS
- E:  1PC
- A:  4PCS





ASSEMBLY INSTRUCTION

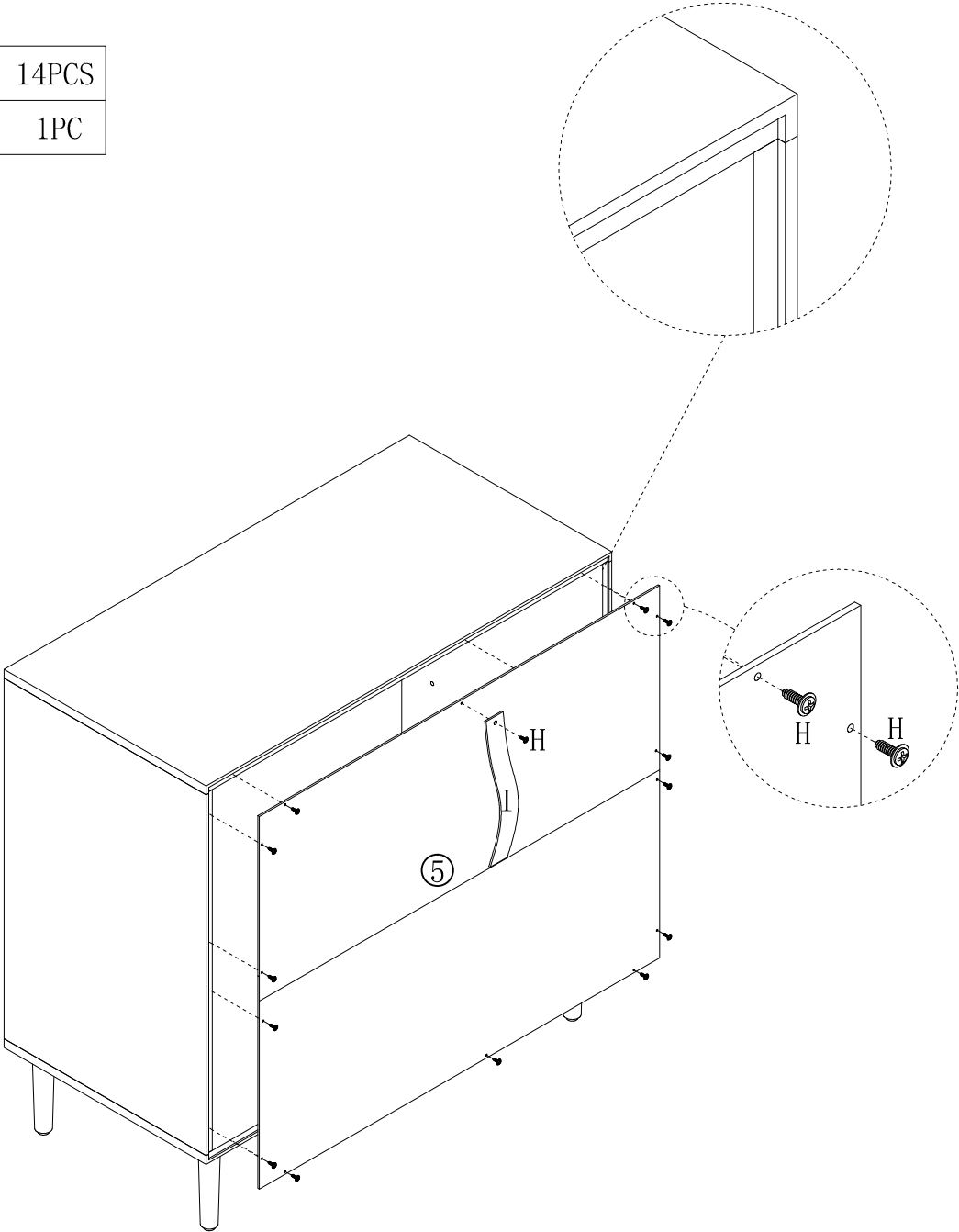
STEP 2

A:		4PCS
B:		8PCS
C:		4PCS



STEP 3

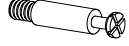



H:		14PCS
I:		1PC



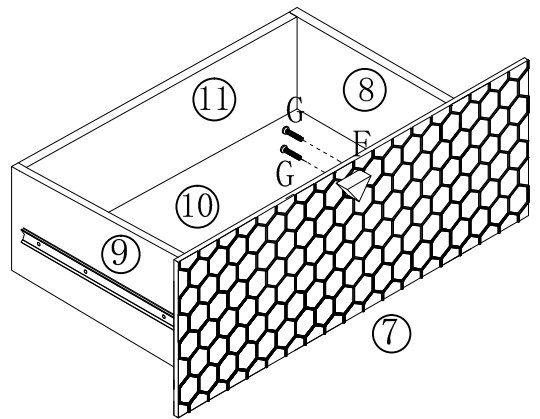
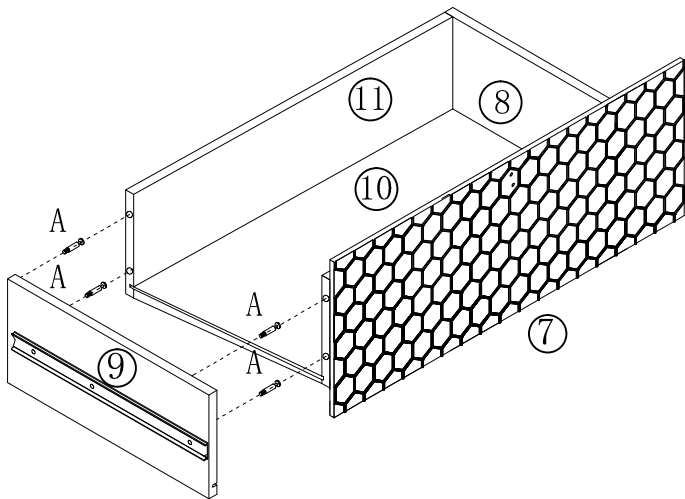
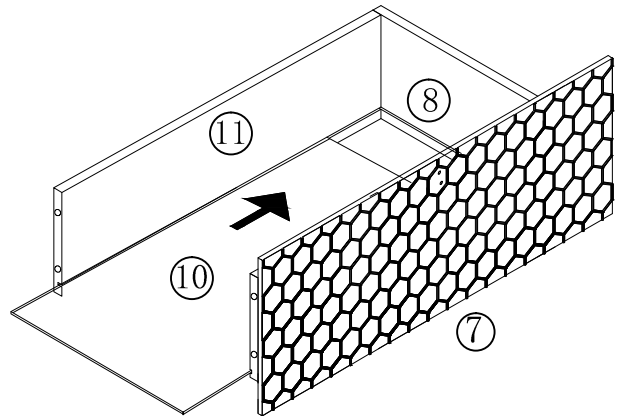
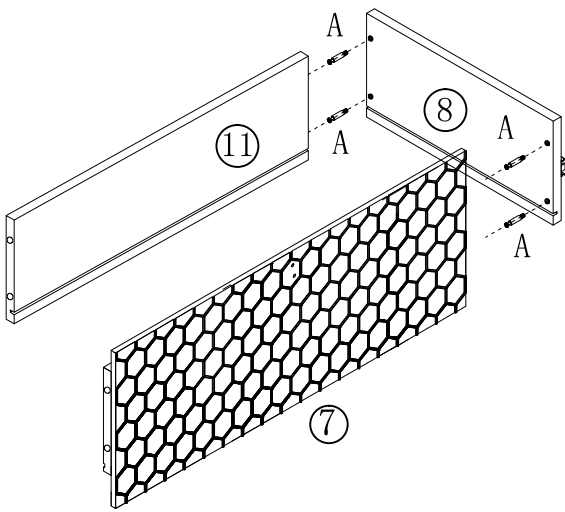
For safety reasons,
it is recommended to install safety wall strap to fix the item

ASSEMBLY INSTRUCTION

STEP 4

A:		16PCS
B:		16PCS
G:		4PC
F:		2PCS

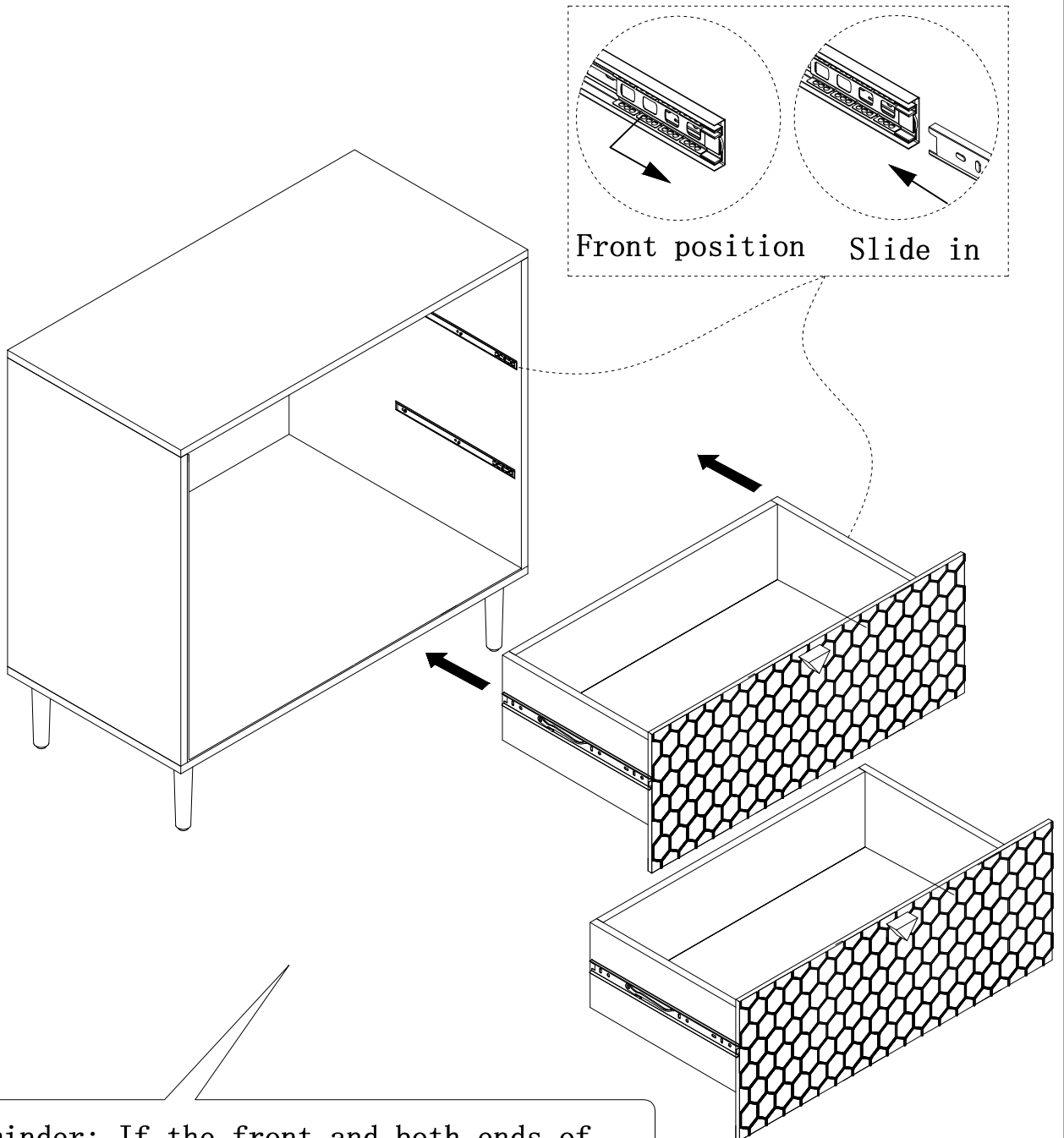
Do not lift up the drawer front panel before assemble drawer side panel.



2 drawers are assembled in the same way

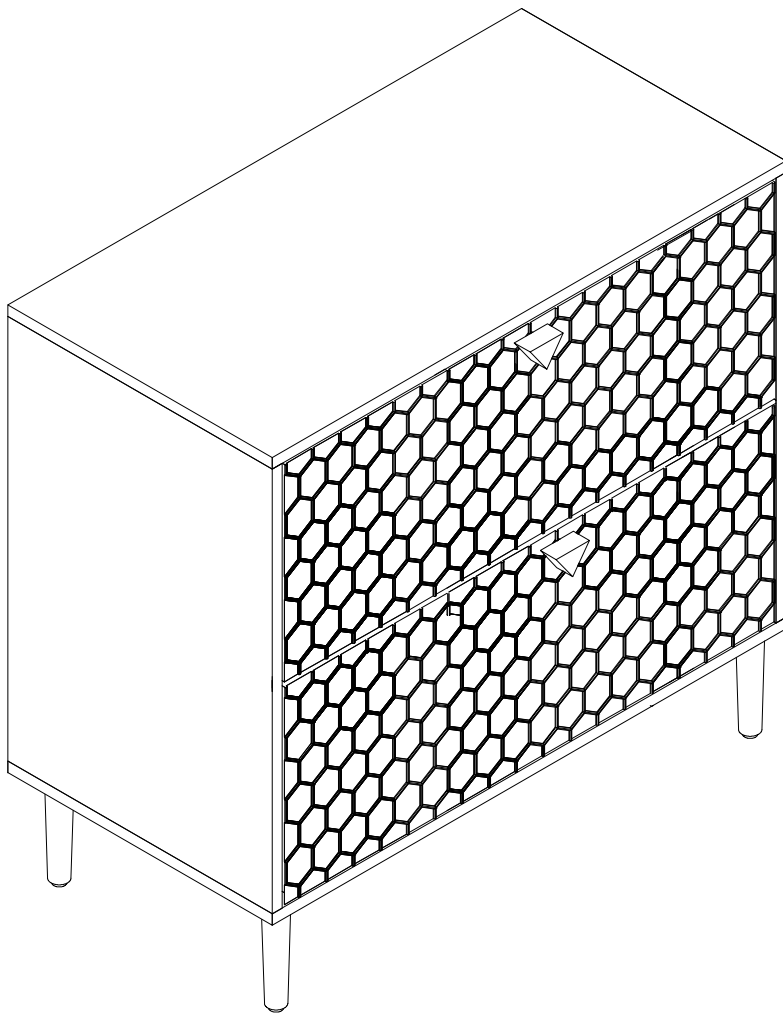
STEP 5

Note: Place the slidable part to the front position before sliding in

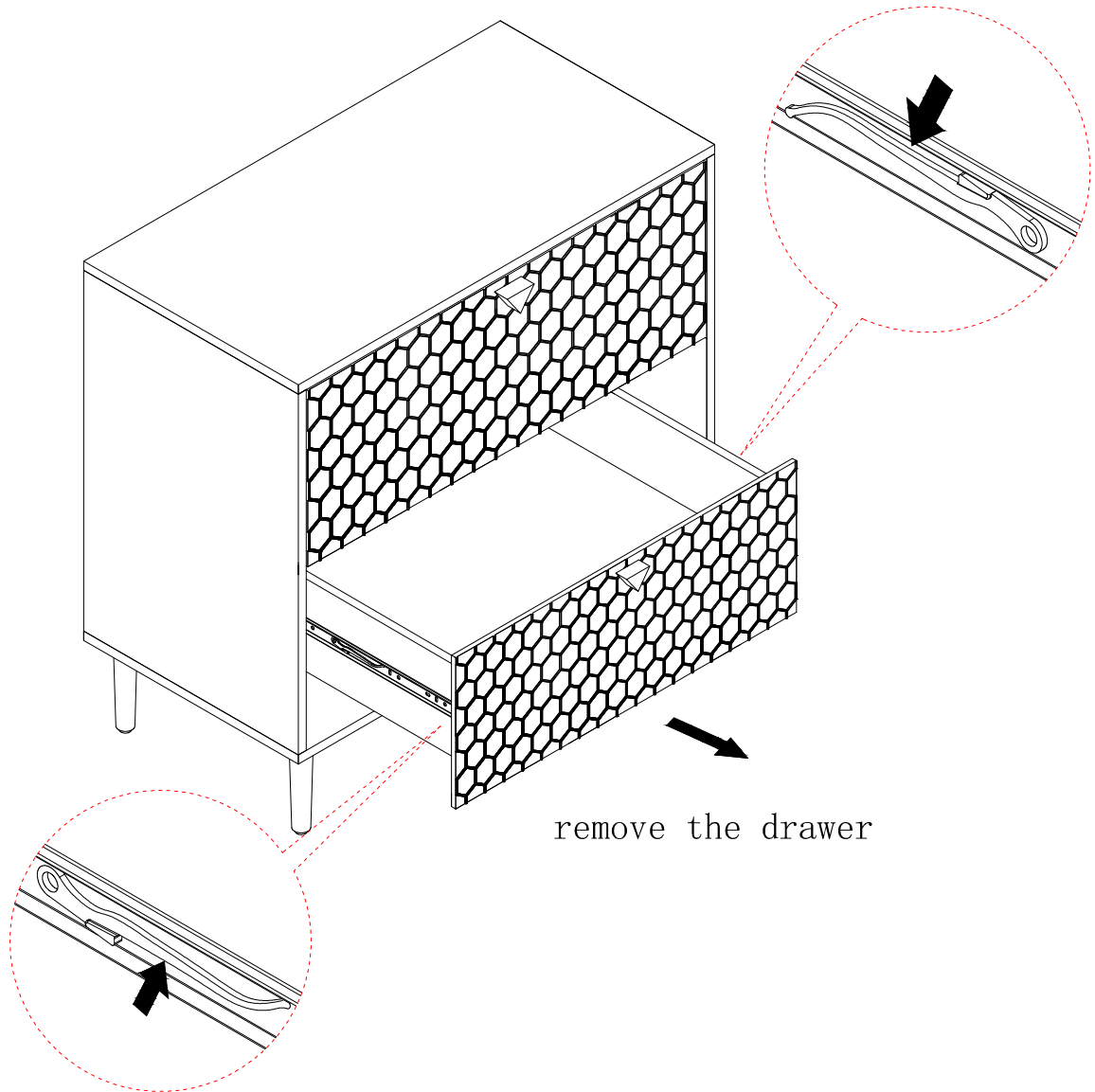


Reminder: If the front and both ends of the drawer are tilted, do not use force, You can refer to the above steps to smoothly insert the slide rail.

STEP 6






STEP 7

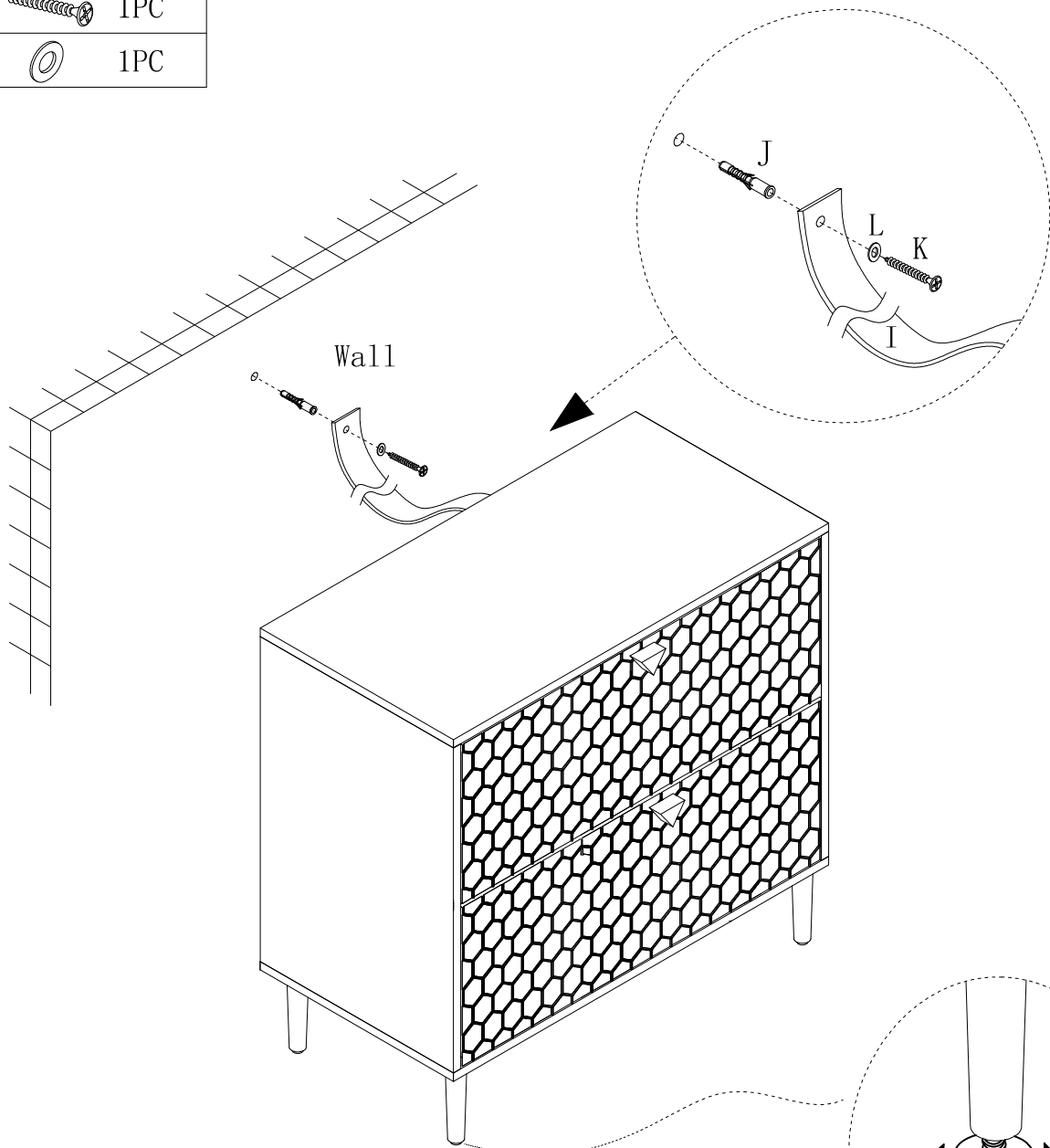


To remove the drawer. lift up on the left side buckle and press down on the right side buckle, operating both left and right at the same time, and move outward to remove it.

STEP 8

J:		1PC
K:		1PC
L:		1PC

For safety reasons,
it is recommended to install
safety wall strap to fix the item



After installation, adjust the
adjustable foot to keep the cabinet
balanced and align the door.

