

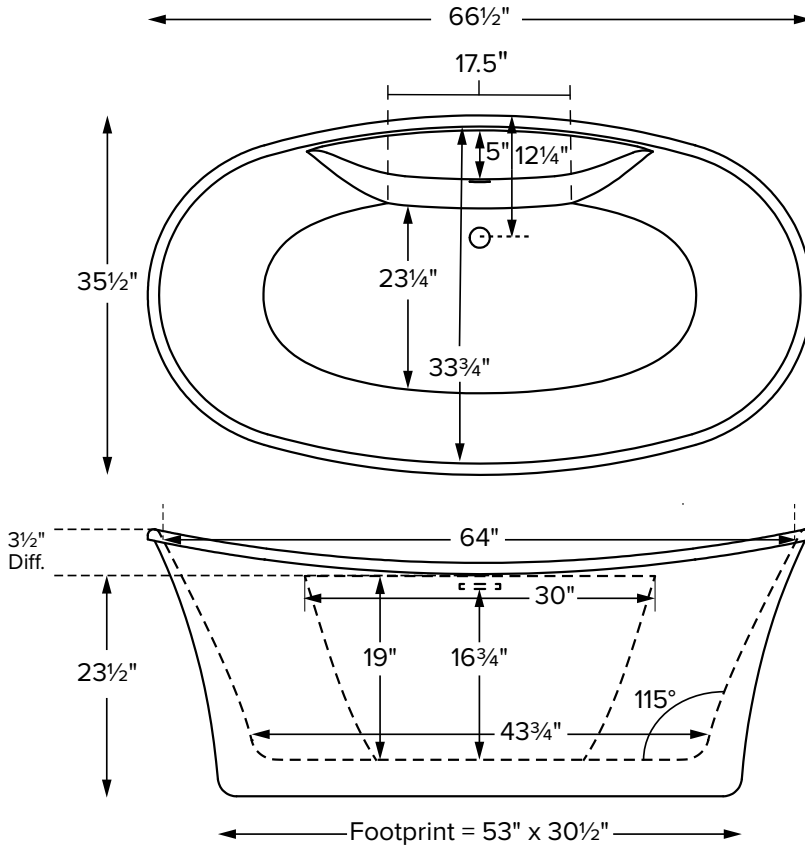
MTI BASICS® Collection Tubs

MBLX6636

66.5" x 35.5" x 23.5"
Acrylic Freestanding Tub

Weight 125 lbs / 57 kg
Max Fill 80 gal to overflow

NOTE: Filling this tub to the maximum may require an above average size or dedicated water heater.



Soaker
Soaking bath - No jets. Includes pre-leveled foam base and white integrated slotted overflow with matching toe tap drain.
Part # MBSLX6636

Options Must be ordered at time of purchase

- Standard** White only
- Quick Ship / Priority** Call for availability
Soaker (QSHIPMTIS)
- Quick Connect Drain Kit**
 - Standard (MBQUICK)
 - Cast Iron (MBQUICKCI)

Accessories

- Pillows**
 - Soft Pillow
 - White (MBPSW) Black (MBPSB)
 - Roll-Up Pillow
 - Light Aqua (MBPRUC) Black (MBRUB)



Access panel

Important Ordering and Installation Information

- Designed to install on a finished floor that is flat and level.
- Visible access panel is located behind the waste and overflow.
- Access panel dimensions vary according to tub model.
- This tub cannot be ordered without an access panel.
- Options listed cannot be combined with Designer Collection options.

• Before discarding tub crate, check for accessories that may be packaged inside.
• All product measurements are ±1/2".
• Specifications and configurations are subject to change without notice.
• Measurements herein supersede all others published prior to publication date below.