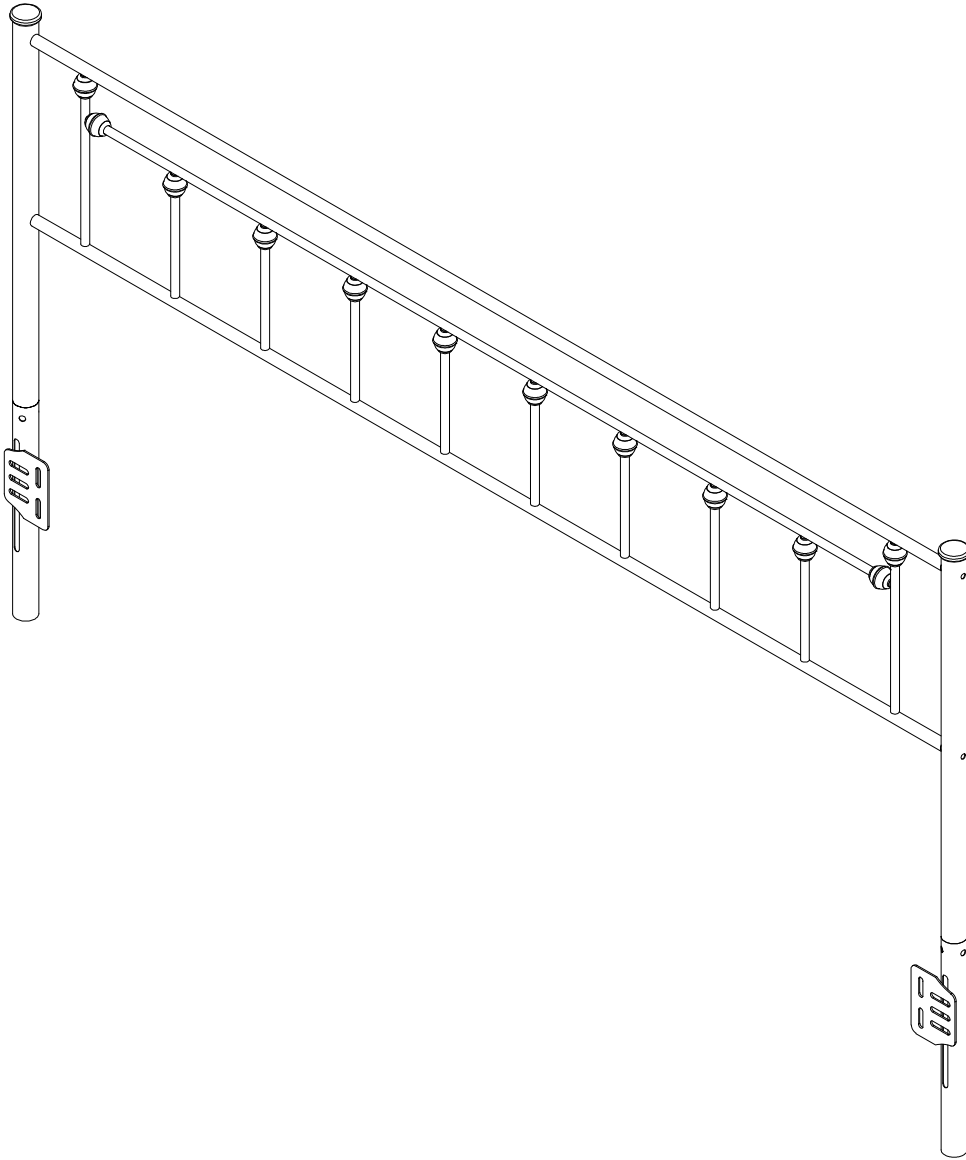
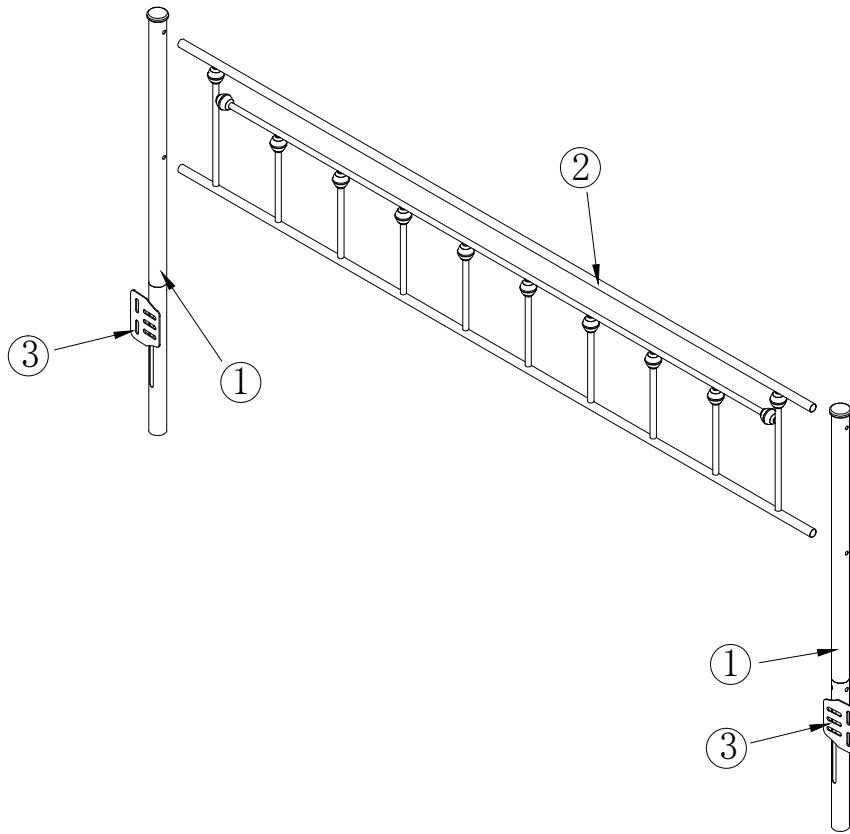
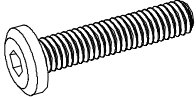


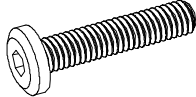
USER'S MANUAL

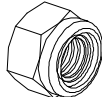






Hardware


A M6x55mm

 4PCS

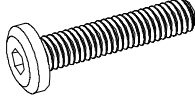
B M8x70mm

 4PCS


C M8

 8PCS

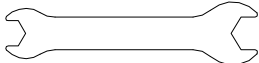
D $\phi 6$

 4PCS

E $\phi 8$

 4PCS

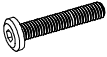


F $\phi 8$

 12PCS

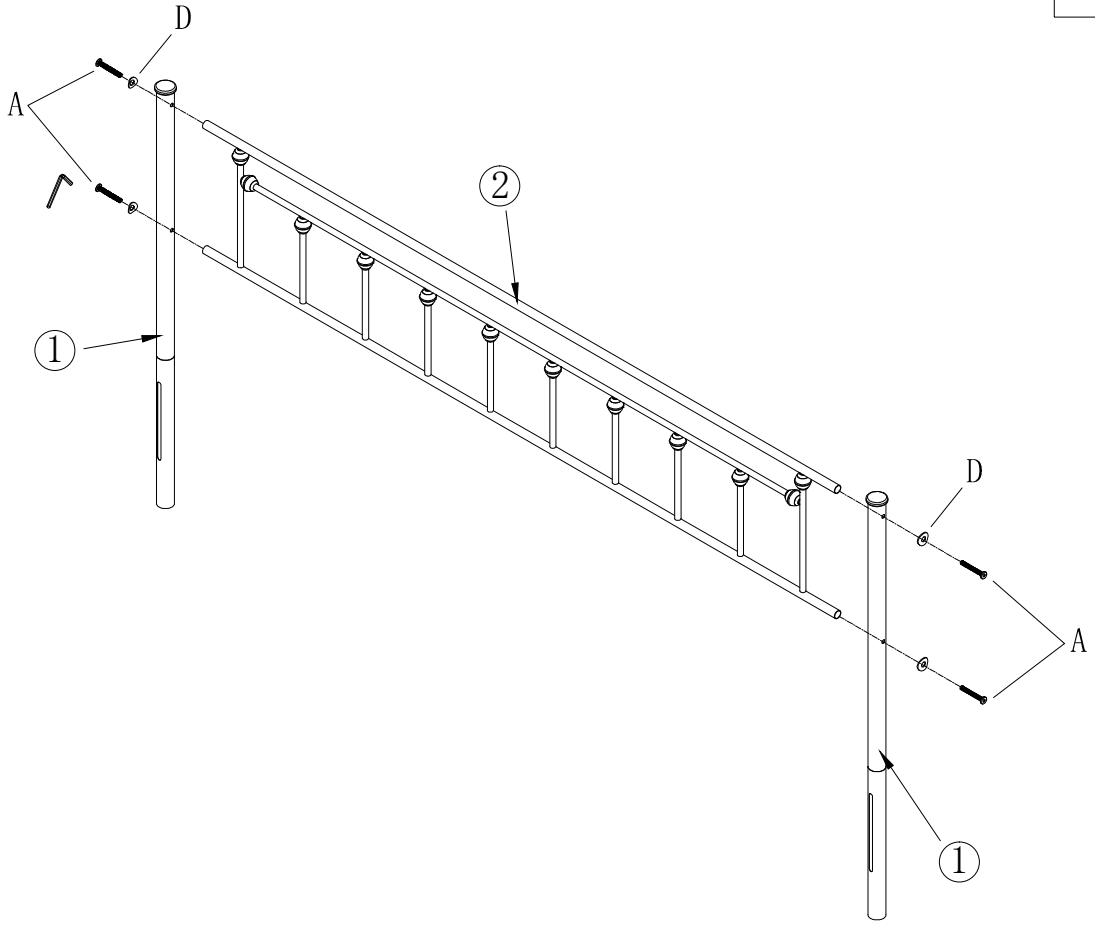
G M8x40mm

 4PCS


 1PC

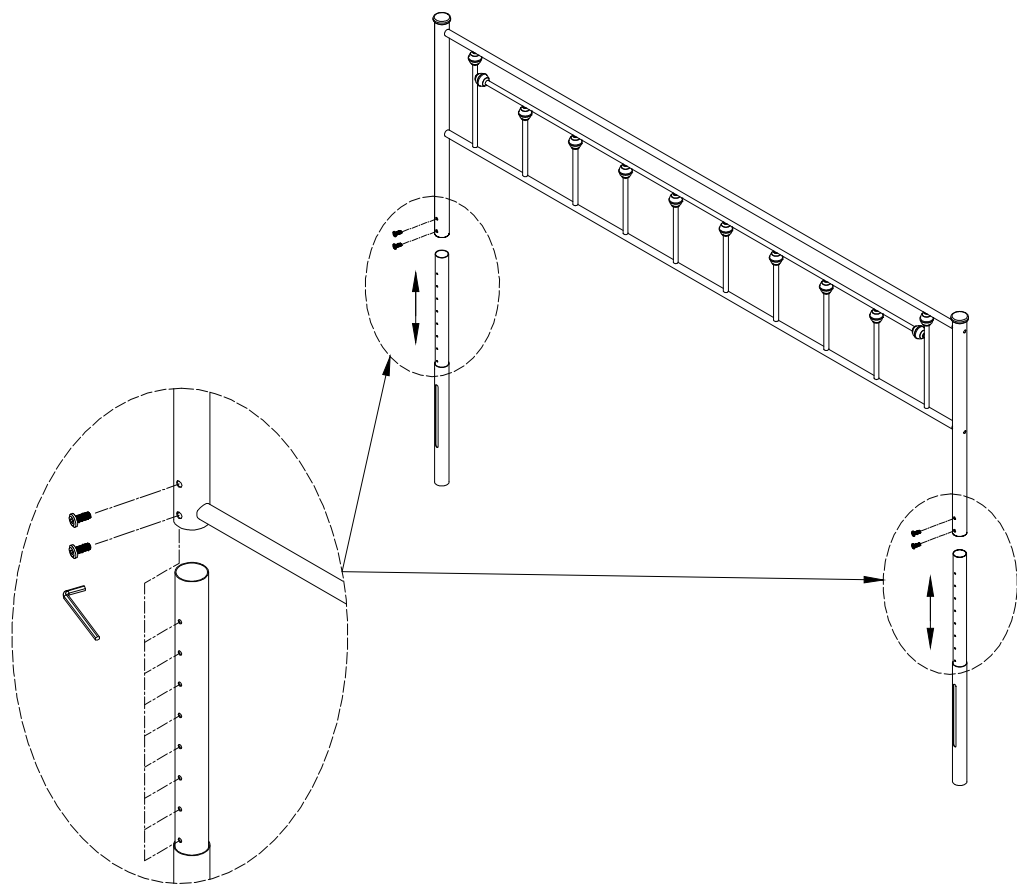

 1PC

1

 M6x55mm	
A	4PCS
 Ø6	
D	4PCS
	



2





M8x70mm

B 4PCS



Ø8

E 4PCS



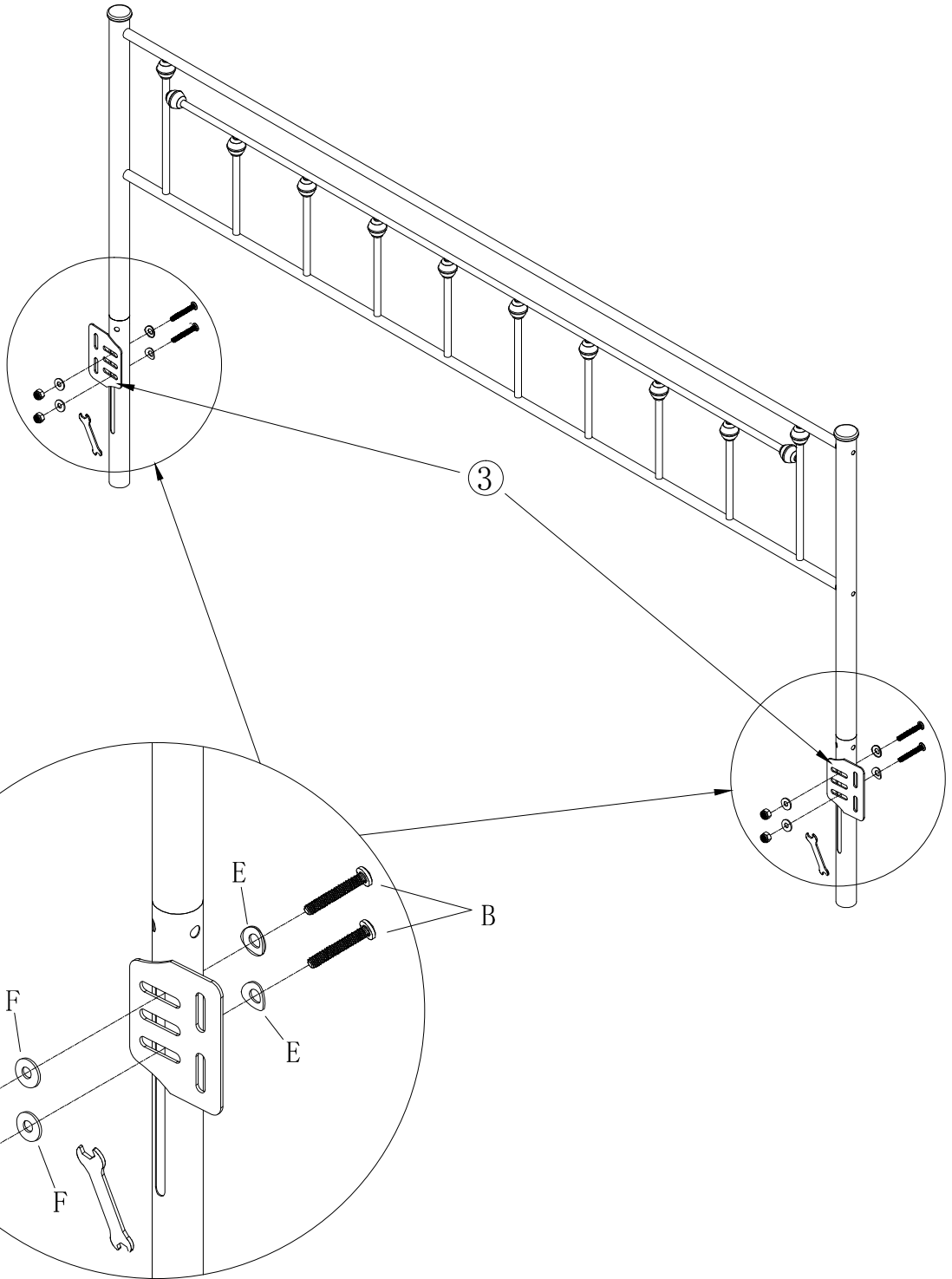
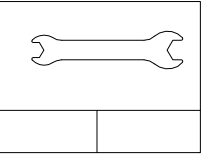
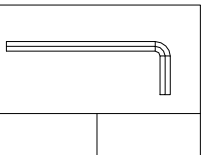
Ø8

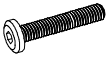
F 4PCS



M8

C 4PCS





M8x40mm

G 4PCS



ø8

F 8PCS



M8

C 4PCS

