




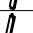
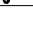

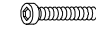
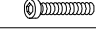






Assembly Instruction PUB CHAIR

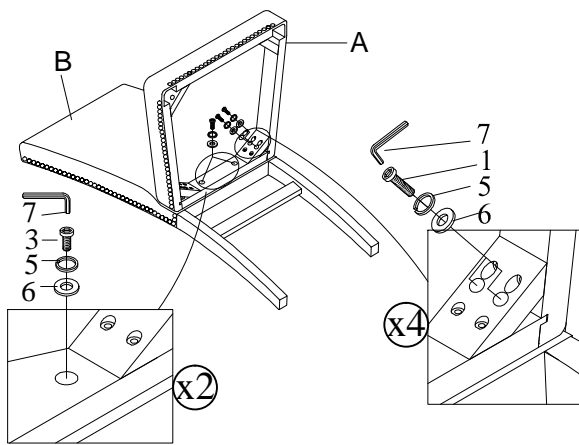
Thank you for purchasing this quality product. Be sure to check all packing materials carefully for small parts, which may have come loose inside the carton during shipment. Identify and count all items and compare with the parts list and/or hardware list shown below.

PARTS LIST(2 CHAIRS)			
No.	DESCRIPTION	SKETCH	Q'TY
A	SEAT FRAME WITH CUSHION		2
B	BACK FRAME WITH CUSHION		2
C	FRONT LEFT LEG		2
D	FRONT RIGHT LEG		2
E	FRONT STRETCHER		2
F	LEFT STRETCHER		2
G	RIGHT STRETCHER		2

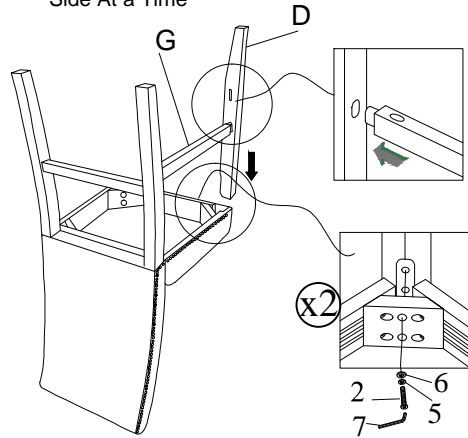
HARDWARE LIST(2 CHAIRS)			
No.	DESCRIPTION	SKETCH	Q'TY
1	ALLEN BOLT (5/16" x 3-1/4")		8
2	ALLEN BOLT (5/16" x 2-1/4")		8
3	ALLEN BOLT (5/16" x 1-1/2")		4
4	SCREW		12
5	SPRING WASHER (5/16 ")		20
6	FLAT WASHER (5/16 ")		20
7	ALLEN KEY M5		2

DO NOT TIGHTEN LEGS UNTIL THE CHAIR IS FULLY ASSEMBLED

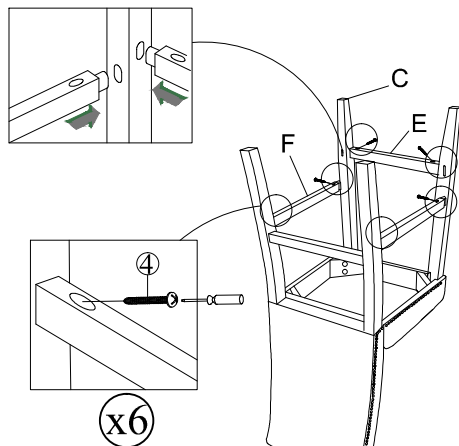
STEP : 1 Attach Seat Cushion to back Frame



STEP : 2 Insert Front Legs into Seat Frame One Side At a Time



STEP : 3



STEP : 4

