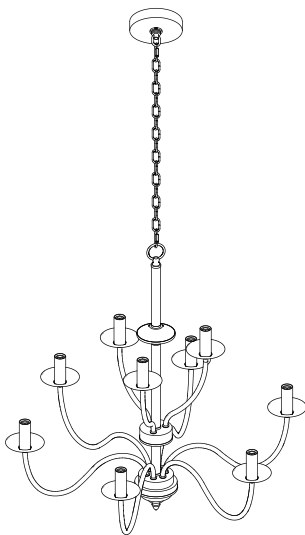


edishinē

# Chandelier

[Instruction Manual]



Please pay attention to the warning signs  
Read the instructions with caution before operating  
and keep it properly

## Warning:

Risk of fire. Min 167°F/75°C supply conductors. Consult a qualified electrician to ensure correct installation. Before installation, please turn off the main power of the circuit breaker to prevent possible electric shock.

## Installation Instructions

FIG.1. Turn the wall switch to the "OFF" position.

Depending on which type of fuse box in your home:

FIG.2. Either turn the main (Master) switch to the "OFF" position to cut off the power supply of the entire home, or turn off the individual switch that supplies power to where the fixture will be installed.

OR

FIG.3. Either turn the main (Master) switch to the "OFF" position to cut off the power supply of the entire home, or unscrew the fuse that supplies power to where the fixture will be installed.

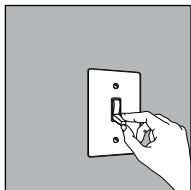


FIG.1 WALL SWITCH

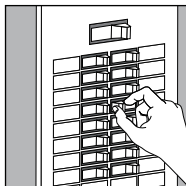


FIG.2 BREAKER PANEL

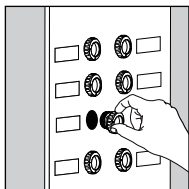
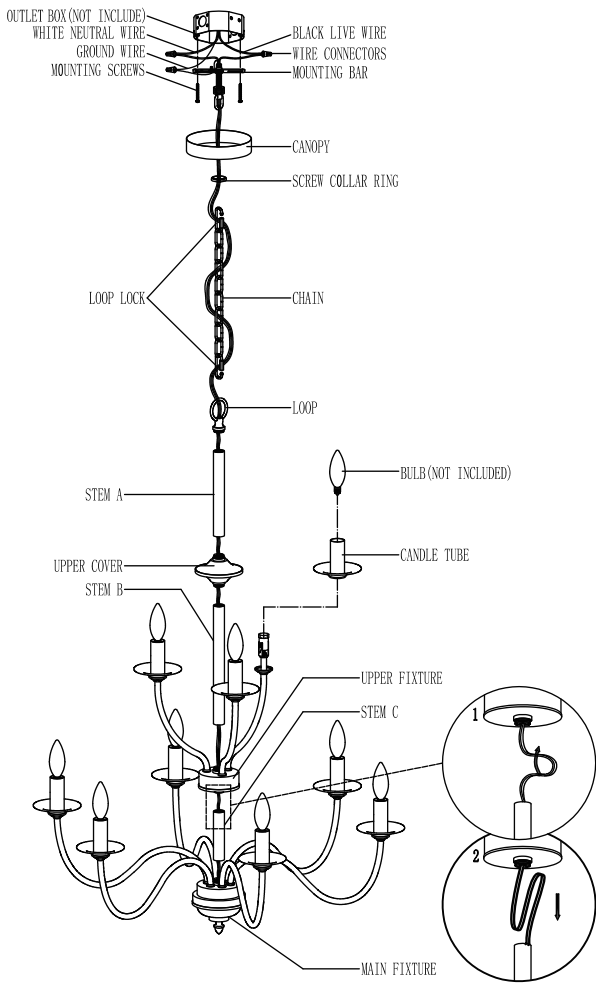


FIG.3 FUSE BOX



1. Rotate from bottom to top to sequentially connect MAIN FIXTURE, UPPER FIXTURE, DECORATIVE STEM, and LOOP together.  
**Note: When connecting MAIN FIXTURE, UPPER FIXTURE, for ease of threading the wire into UPPER FIXTURE, you can fold the wire first as shown in the diagram.**
2. Adjust the angles of the nine branches symmetrically and install the nine CANDLE TUBES.
3. Please thread the thread through each link of the CHAIN and connected the two LOOPS with two LOOP LOCK at each end of the chain.
4. Install mounting bar onto outlet box with provided outlet box screws.
5. Connect COPPER WIRE (ground wire) from the light to the ground wire from outlet box by using Green Grounding Screw onto the bar.  
Connect BLACK WIRE (live wire) from light to the bare end of live wire from outlet box by twisting wire connector.  
Connect the WHITE WIRE (neutral wire) from the light to the bare end of neutral wire from outlet box with the other wire connector.
6. Make sure the wire connections are secure. Carefully place wires into outlet box.
7. Install the CANOPY by screwing the SCREW COLLAR RING.

## Specifications

- Input Voltage: 120VAC 60Hz
- Max.Load Power: Incandescent Bulb 60W
- Socket Type: Candelabra-Base E12

## One Year Limited Warranty

Supported by our professional R&D team and QC team, we provide One Year Warranty for materials and workmanship from the purchase date. Please note that the warranty does not cover damage caused by personal misuse or improper installation.

Please attach your Order ID and Name so that our dedicated customer service team can help you better.



Made in China