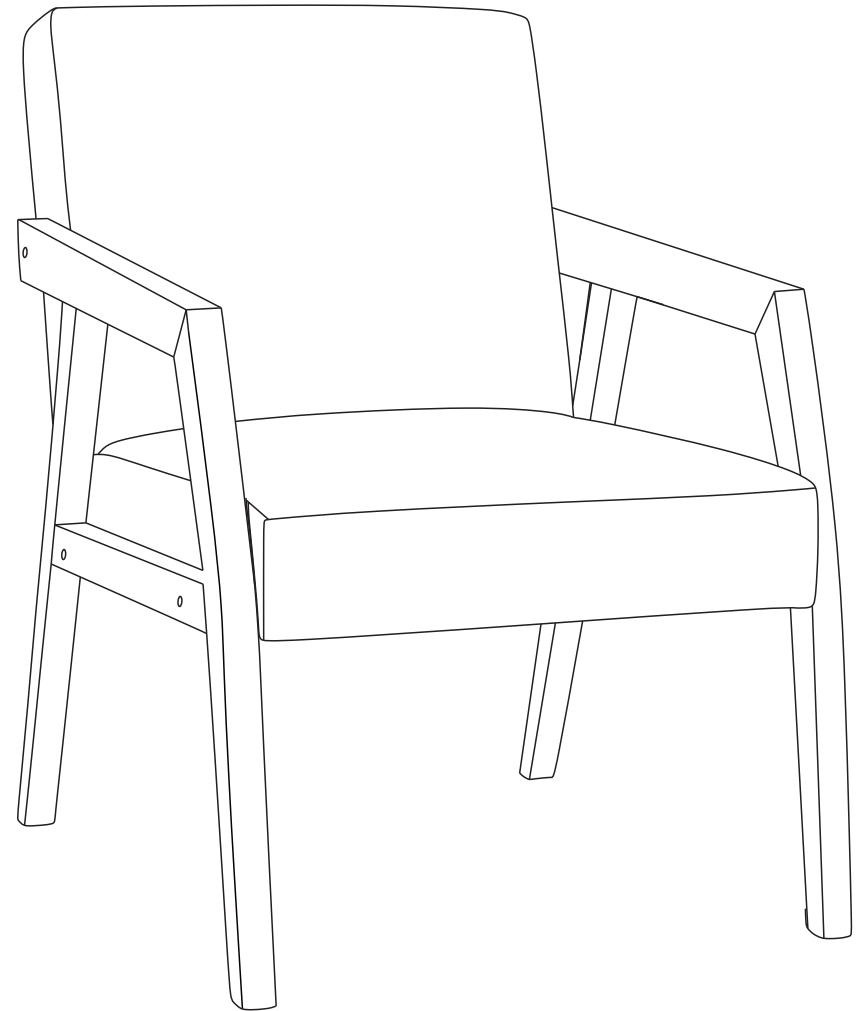


Instruction Manual



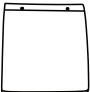

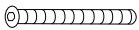




User Guide

Make life better

Warm tips: We are proud of high-quality products and satisfactory service, but the goods may encounter special circumstances during transportation, if you receive the goods with missing or damaged parts, please take photos and contact our customer service before returning the goods, we will customize a solution that satisfies you, thank you.



Instruction

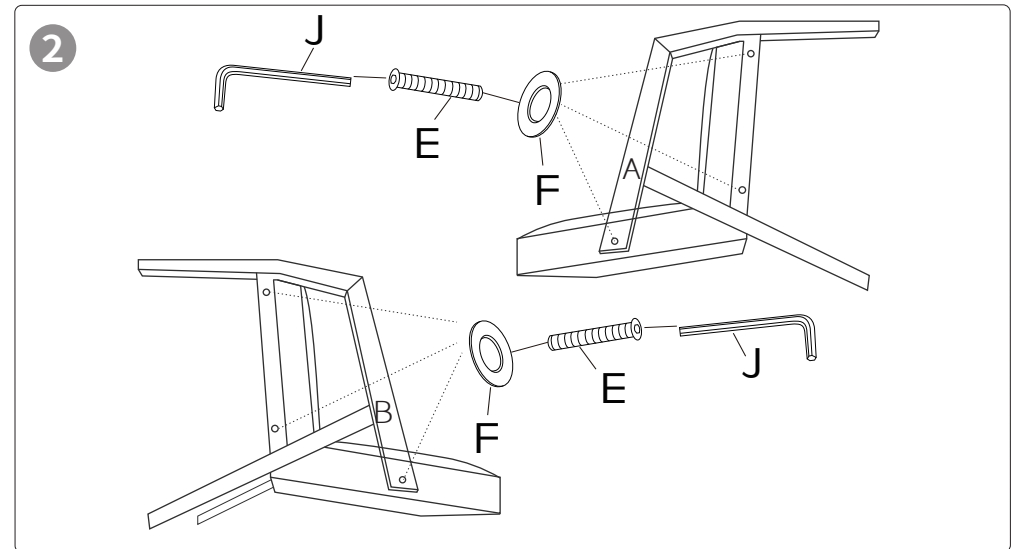
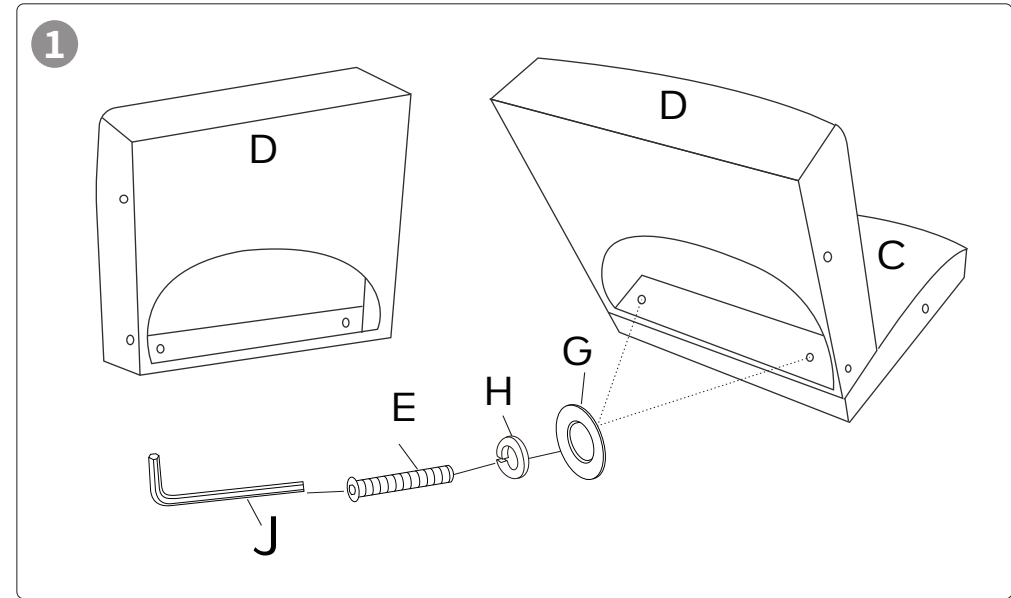
NO	DESCRIPTION		QTY
A	Right Chair Arm		1
B	Left Chair Arm		1
C	Chair Seat		1
D	Chair Back		1
E	Screw	$\Phi 5/16" * 2-3/8" L$ 	8
F	Flat Washer	$\Phi 5/16" * 13mm$ 	6
G	Flat Washer	$\Phi 5/16" * 22mm$ 	2
H	Lock Washer	$\Phi 5/16"$ 	2
K	Allen Wrench	$\Phi 5mm$ 	1

Note:

1. During the assembly of the two components, if there are multiple screws that need to be installed, you can first align all the screws with the hole position and manually turn a few turns to fix the position, and then tighten them all with a wrench.

2. The Flat Washer and Lock Washer must be installed to prevent the screw from loosening and damaging the connection part.

Installation Method



① Fasten C and D with screws.

② Fasten A, B and C and D with screw.