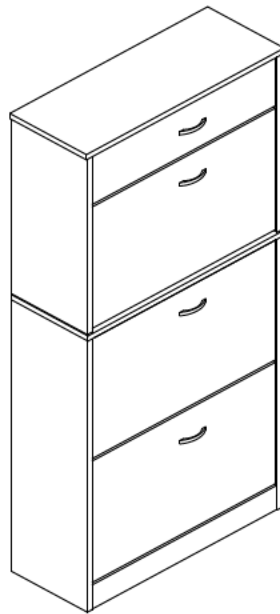


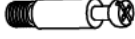













Assembly Instructions

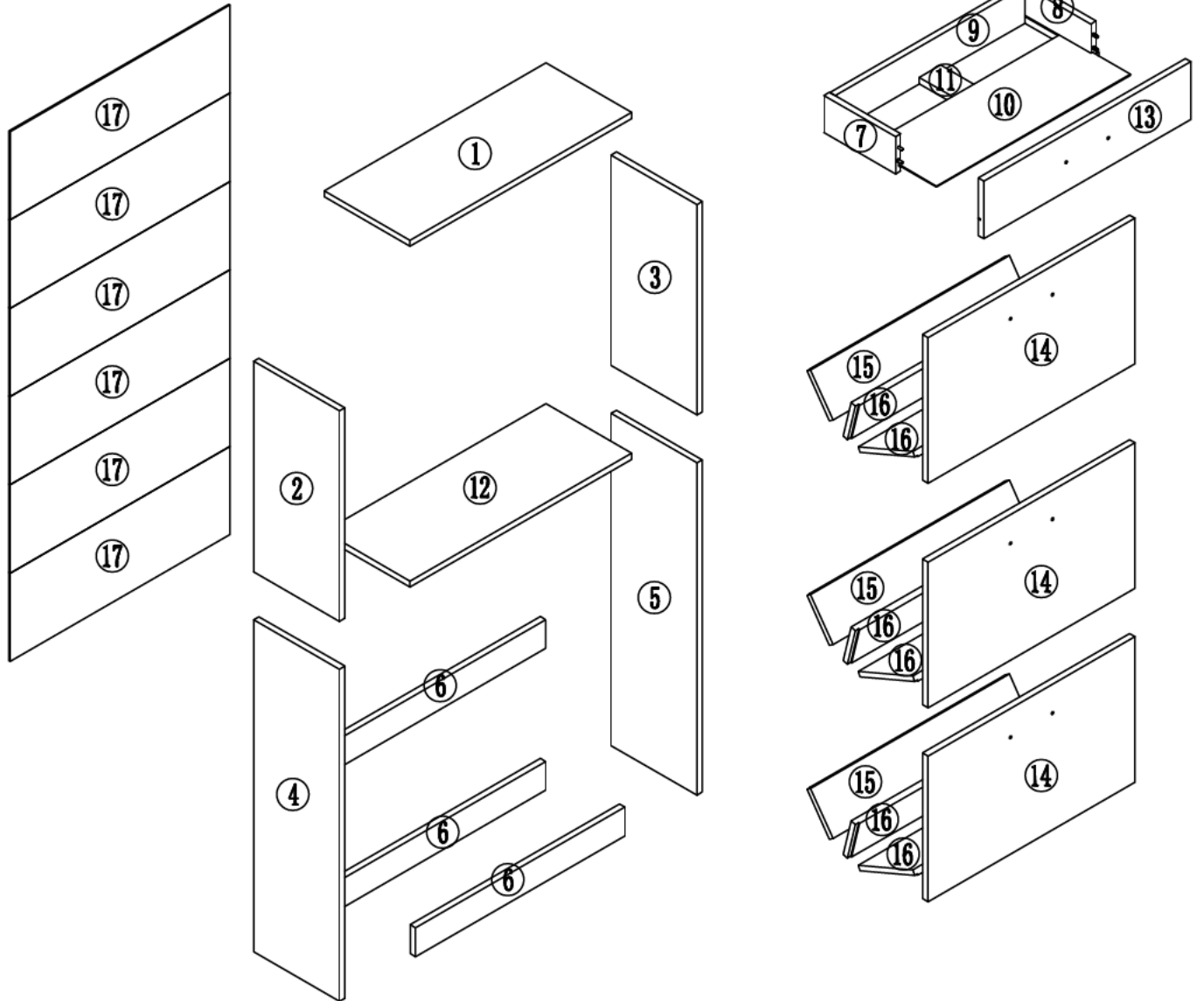


Special Warnings:












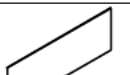
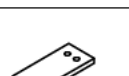


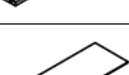
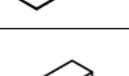
- * Please check that all parts are present before you start the assembly.
- * For the protection of your furniture, place all parts on a clean and smooth surface to prevent any damage.
- * For cleaning, wipe the surface with a damp (not wet) cloth or wipe dry with a clean lint free cotton cloth. Window cleaning liquid or a similar cleaning liquid can be used to clean the surface.
- * This unit is heavy. Please use an assistant when lifting. Never drag or push the pieces across the floor as this will cause damage to the joints.
- * Keep your furniture out of direct sunlight.

PARTS LIST

NO.	DESCRIPTION	QTY
A	 M6X34MM	22
B	 M15X12MM	22
C	 M6X30MM	10
D	 M3. 5X14MM	38
E	 M4X20MM	8
F	 Handle	4
G	 Nail pin	30
H	 SETS	3
I	 Nail Leg	4
J	 M4. 7X38MM	4
K	 6	6
L	 6	6
M	 SETS	2
N	 M6X20MM	6







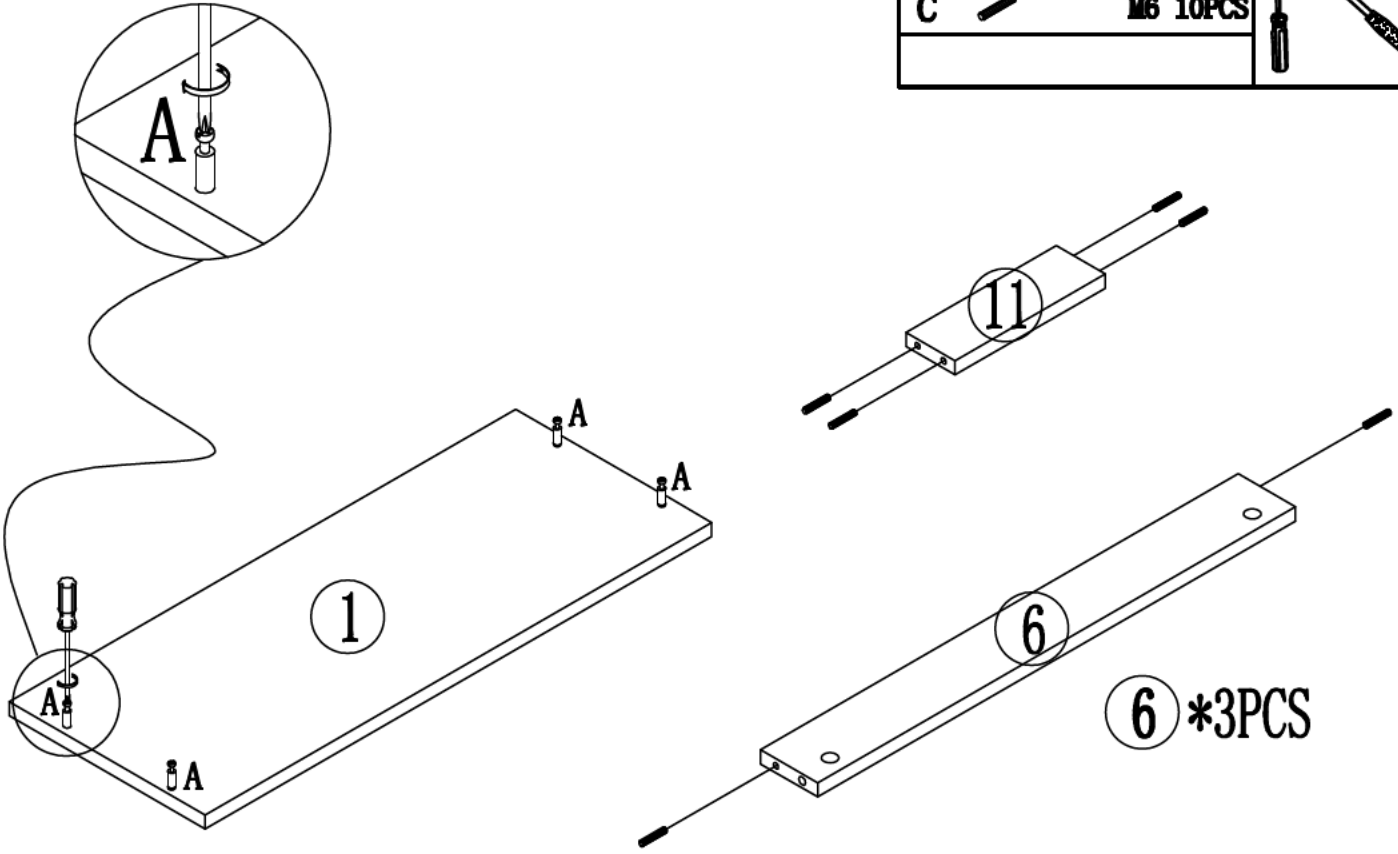
PARTS LIST

NO.	DESCRIPTION	QTY	NO.	DESCRIPTION	QTY
1	 620MM*240MM*15MM	1	12	 620MM*240MM*15MM	1
2	 510MM*238MM*15MM	1	13	 579MM*140MM*15MM	1
3	 510MM*238MM*15MM	1	14	 579MM*253MM*15MM	3
4	 797MM*238MM*15MM	1	15	 568MM*152MM*15MM	3
5	 797MM*238MM*15MM	1	16	 568MM*117MM*15MM	6
6	 585MM*70MM*15MM	3	17	 614MM*214MM*3MM	6
7	 200MM*90MM*15MM	1			
8	 200MM*90MM*15MM	1			
9	 531MM*90MM*15MM	1			
10	 542MM*195MM*3MM	1			
11	 184MM*60MM*15MM	1			

STEP 1




HARDWARE LIST

A		M6 4PCS	 
C		M6 10PCS	



STEP 2



HARDWARE LIST

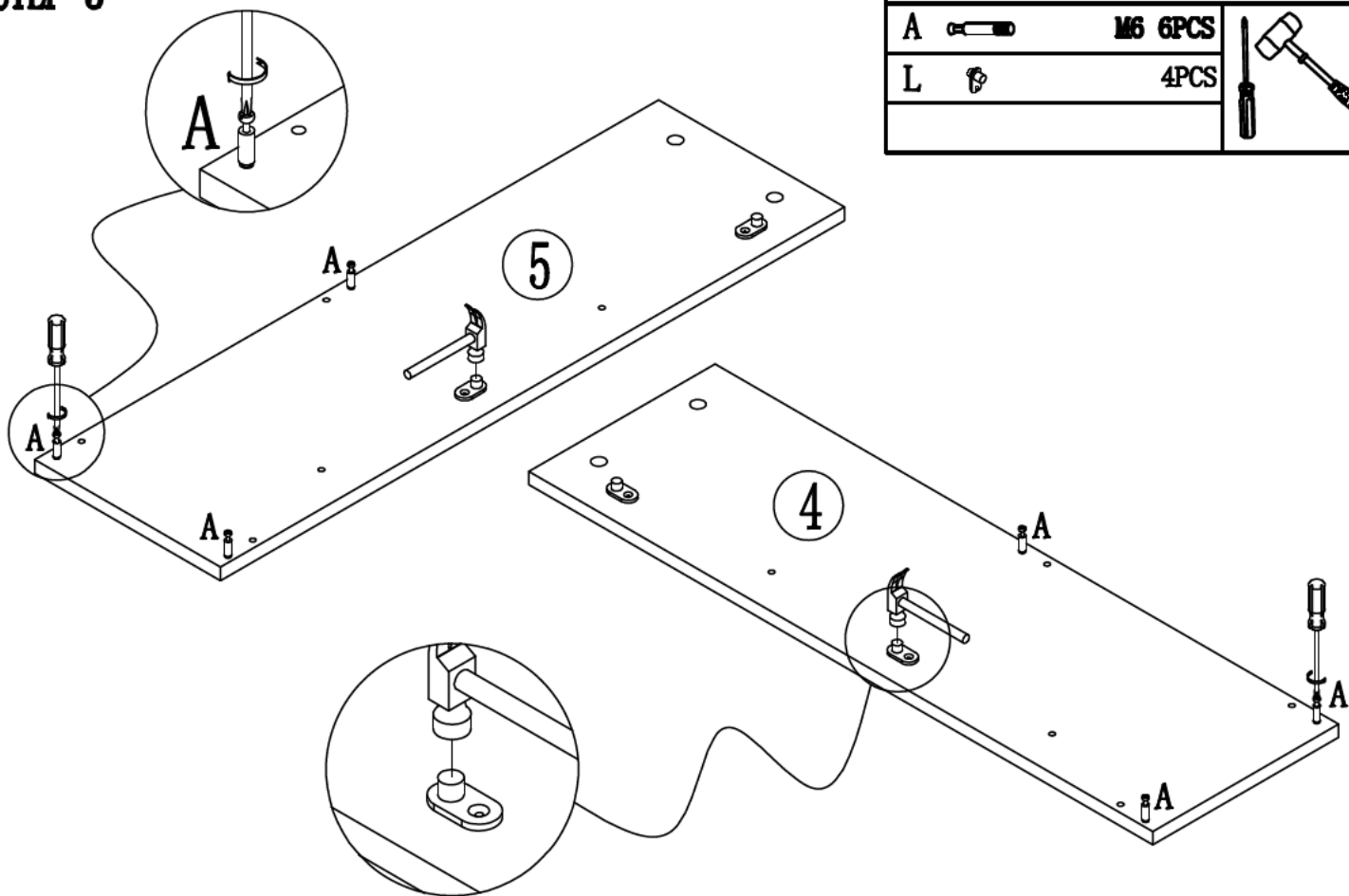
A		M6 8PCS	 



STEP 3

HARDWARE LIST

A		M6 6PCS
L		4PCS



STEP 4

HARDWARE LIST

D		4PCS
L		2PCS
M		2PCS

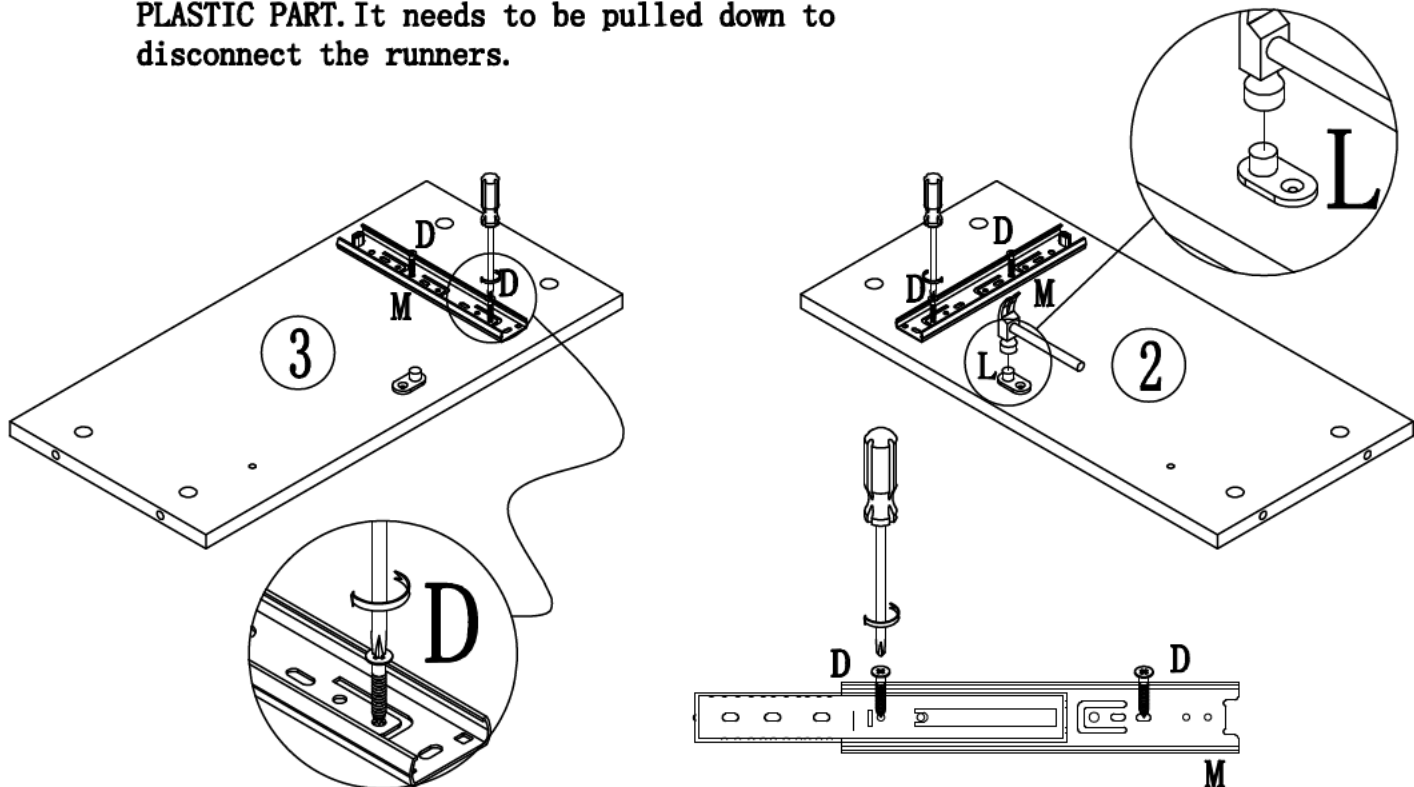


Pull out

Push






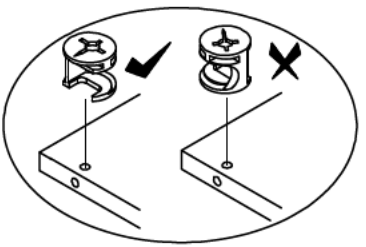
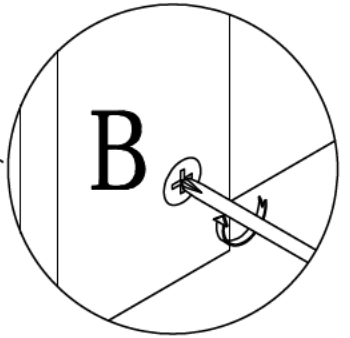
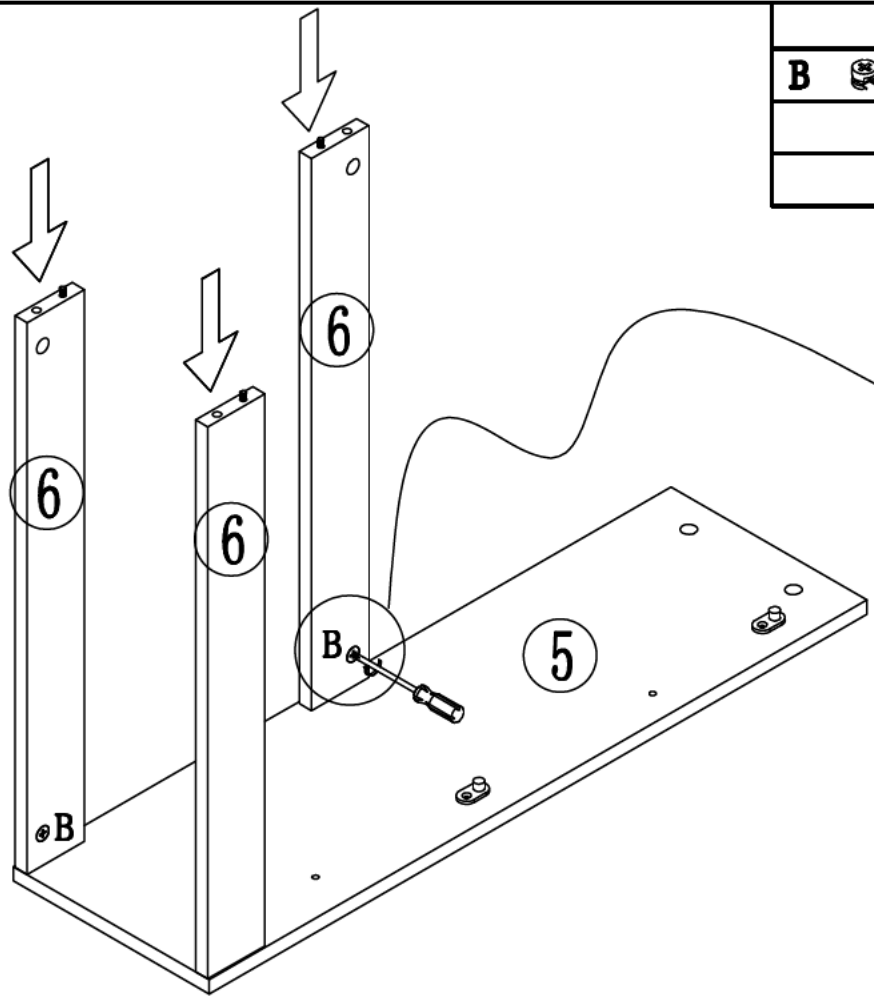
Disconnect the keyboard rail with the BLACK PLASTIC PART. It needs to be pulled down to disconnect the runners.



STEP 5

HARDWARE LIST

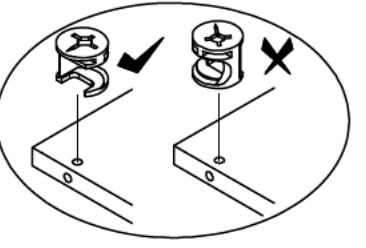
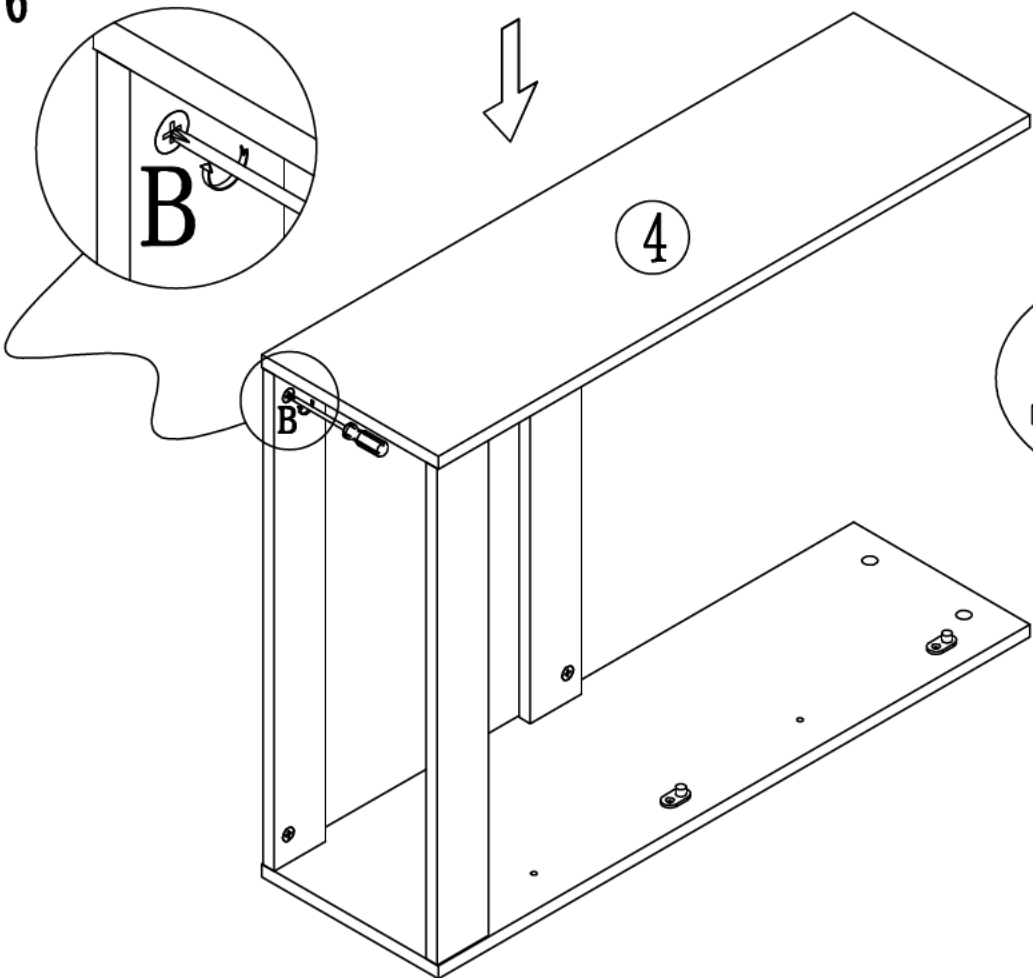
B		3PCS	 



STEP 6




HARDWARE LIST

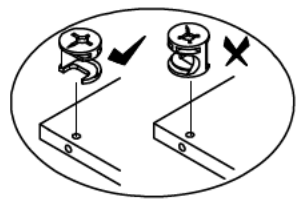
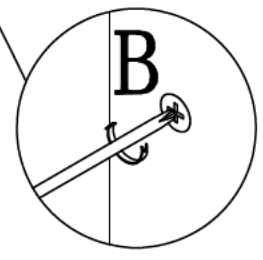
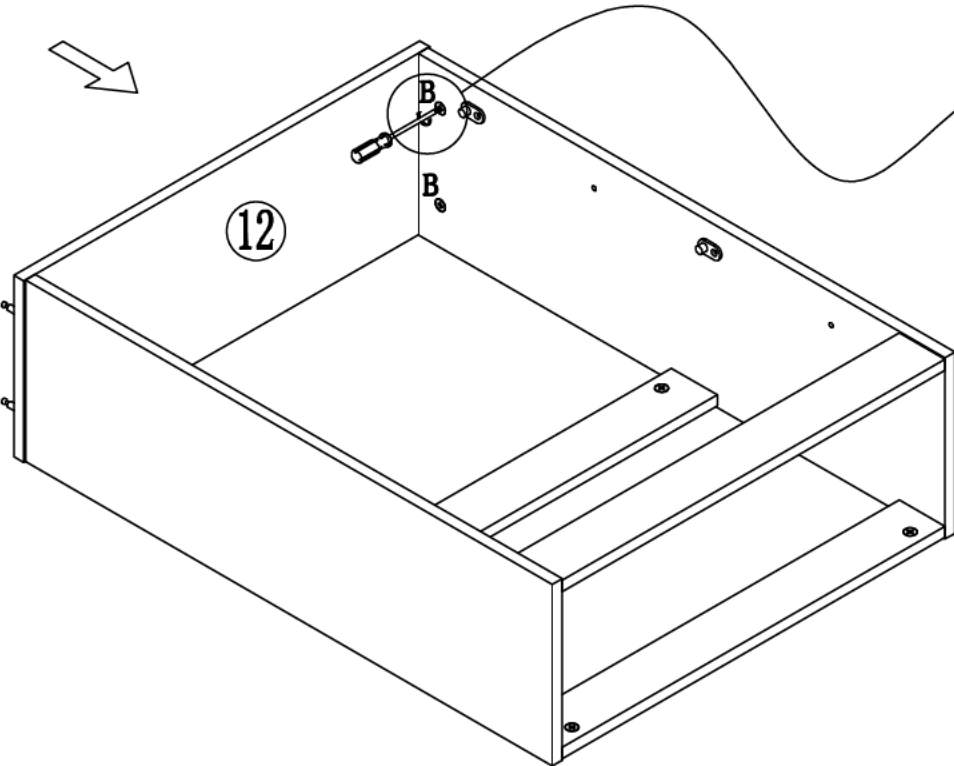
B		3PCS
---	---	------



STEP 7


HARDWARE LIST

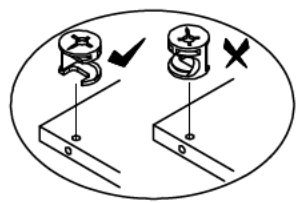
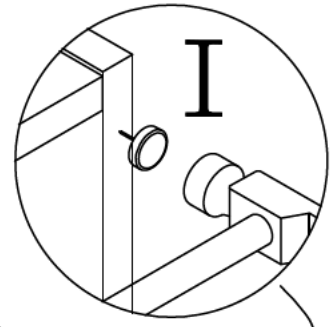
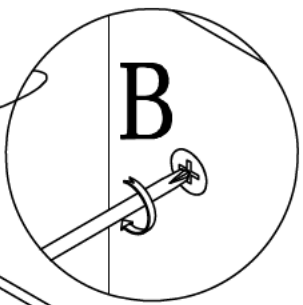
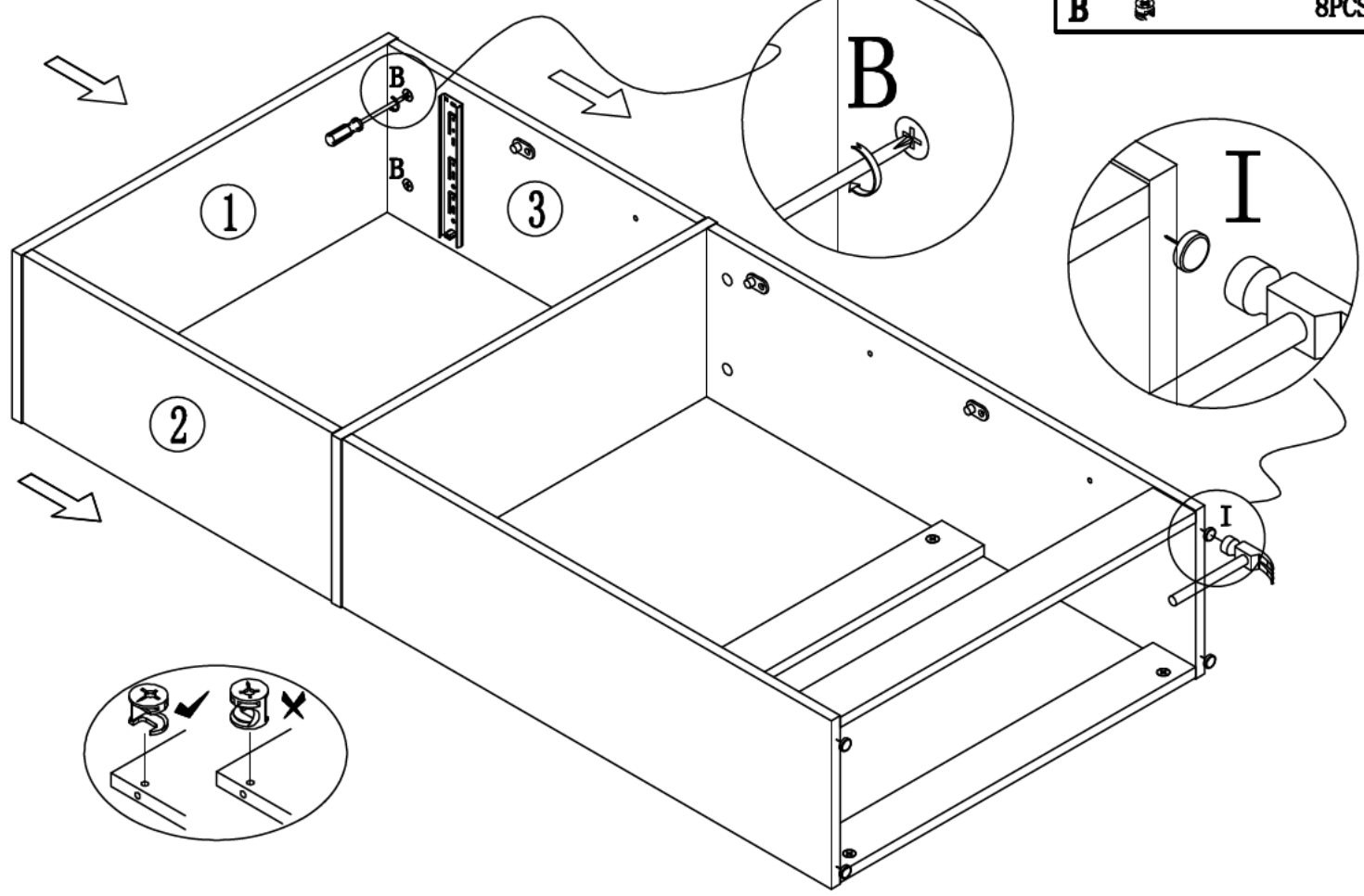
B		4PCS	 



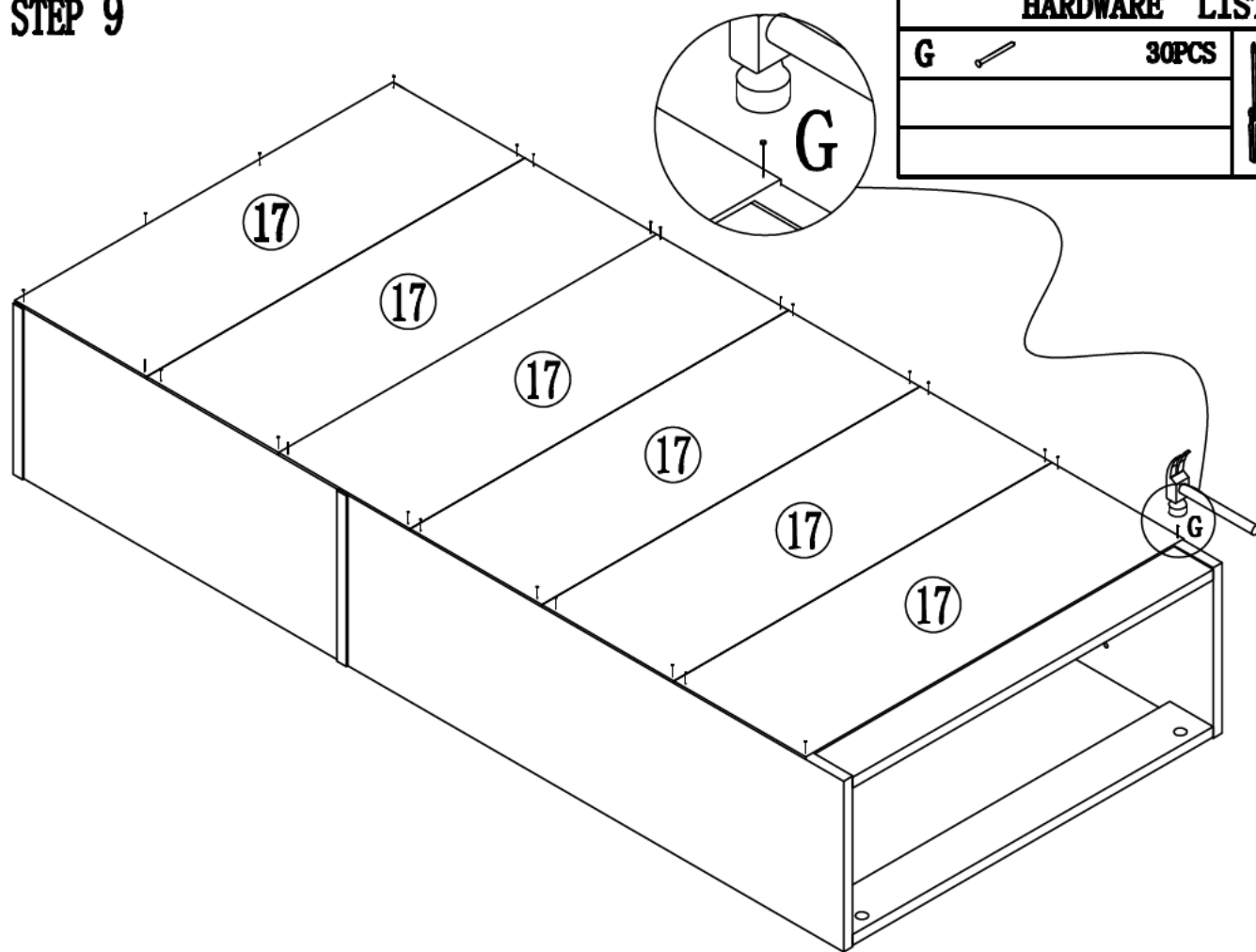
STEP 8

HARDWARE LIST

B		8PCS
---	---	------



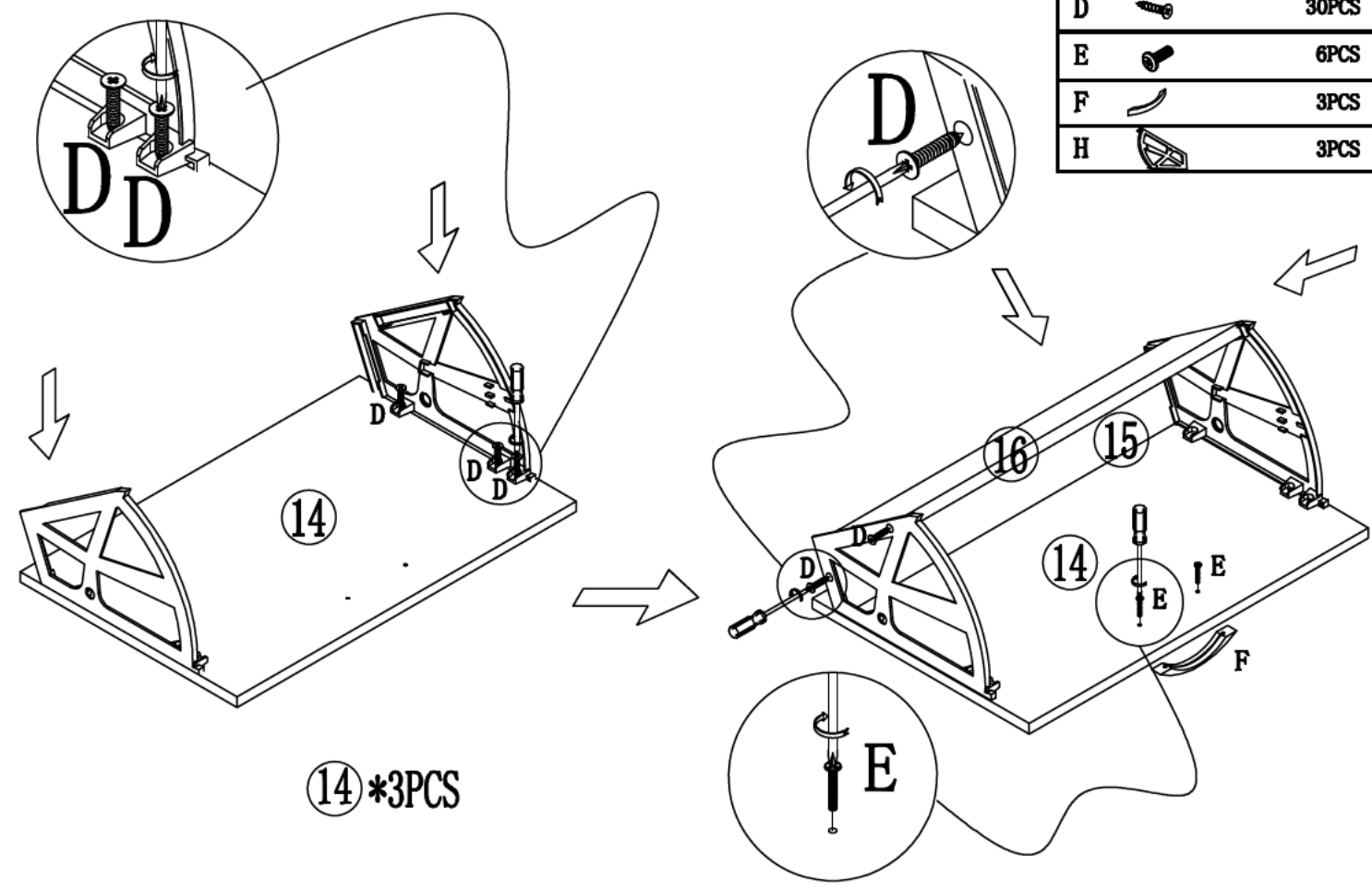
STEP 9



HARDWARE LIST

G		30PCS	

STEP 10





HARDWARE LIST

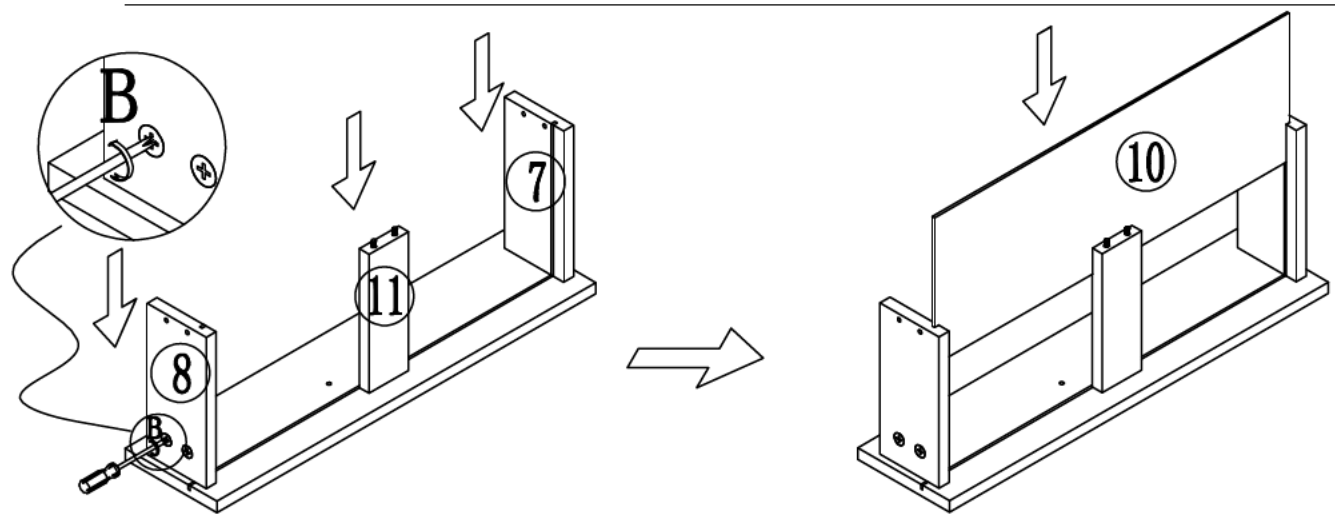
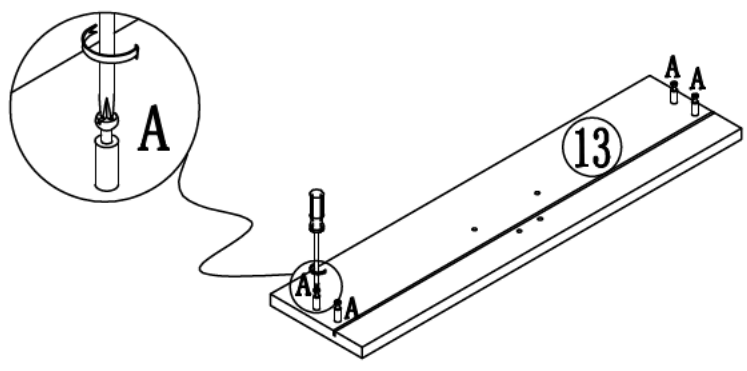
D		30PCS
E		6PCS
F		3PCS
H		3PCS

⑭ *3PCS

STEP 11






HARDWARE LIST

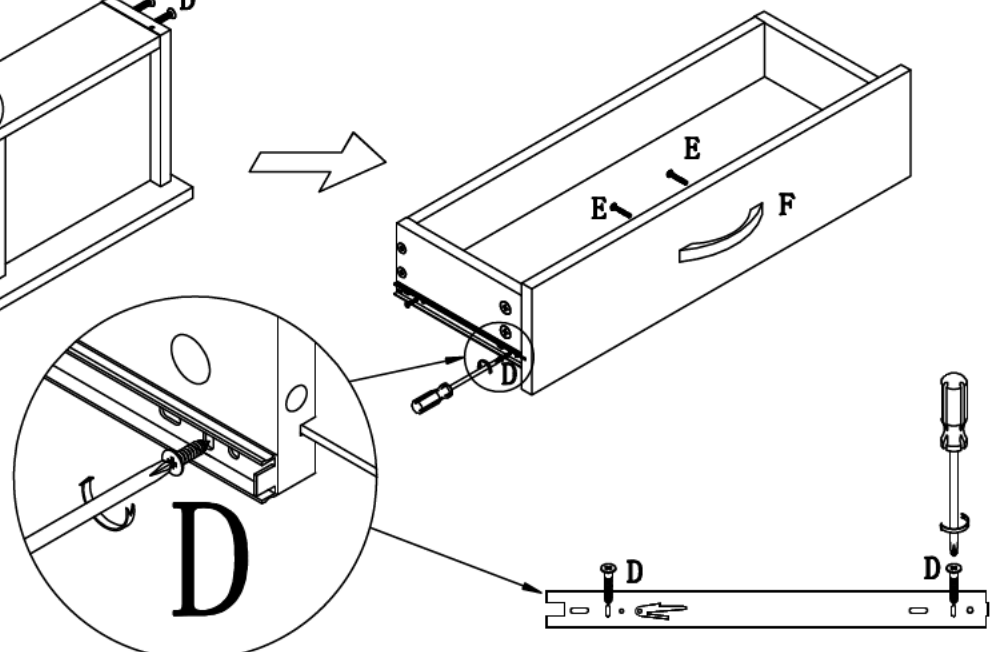
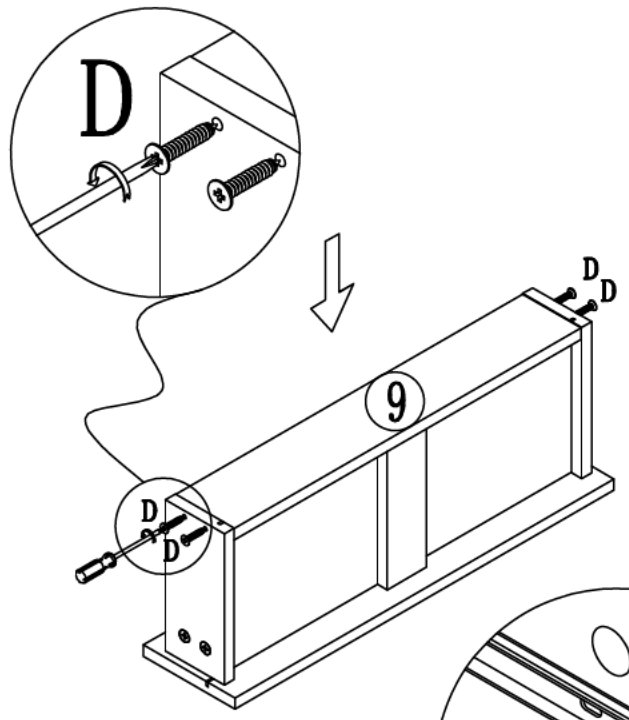
A		M6	4PCS
B			4PCS



STEP 12



HARDWARE LIST

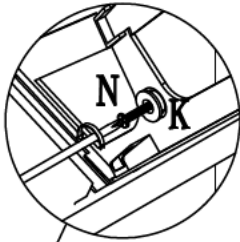
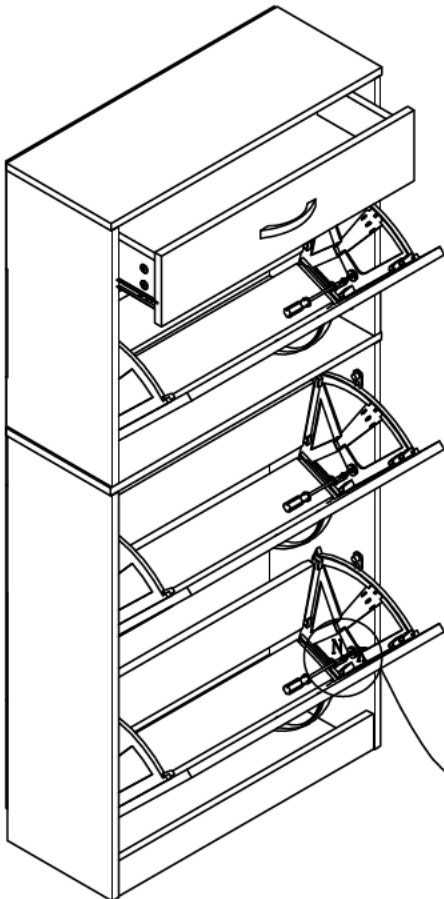
D		4PCS
E		2PCS
F		1PCS
J		4PCS
M		2PCS



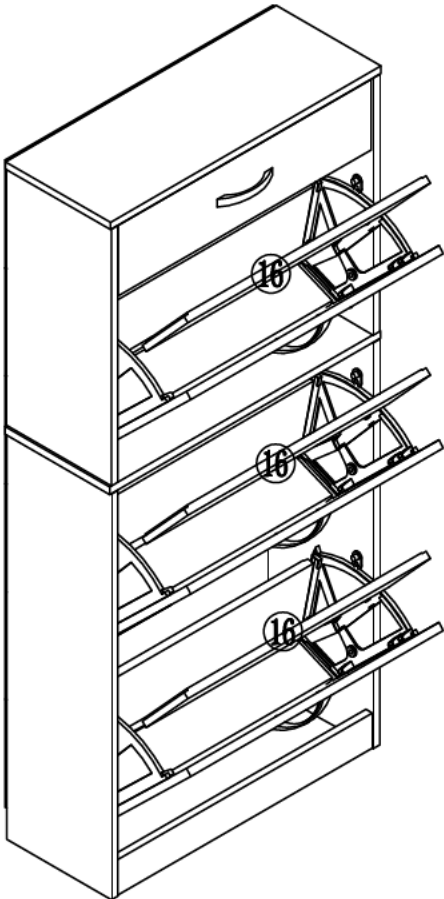
STEP 13

HARDWARE LIST

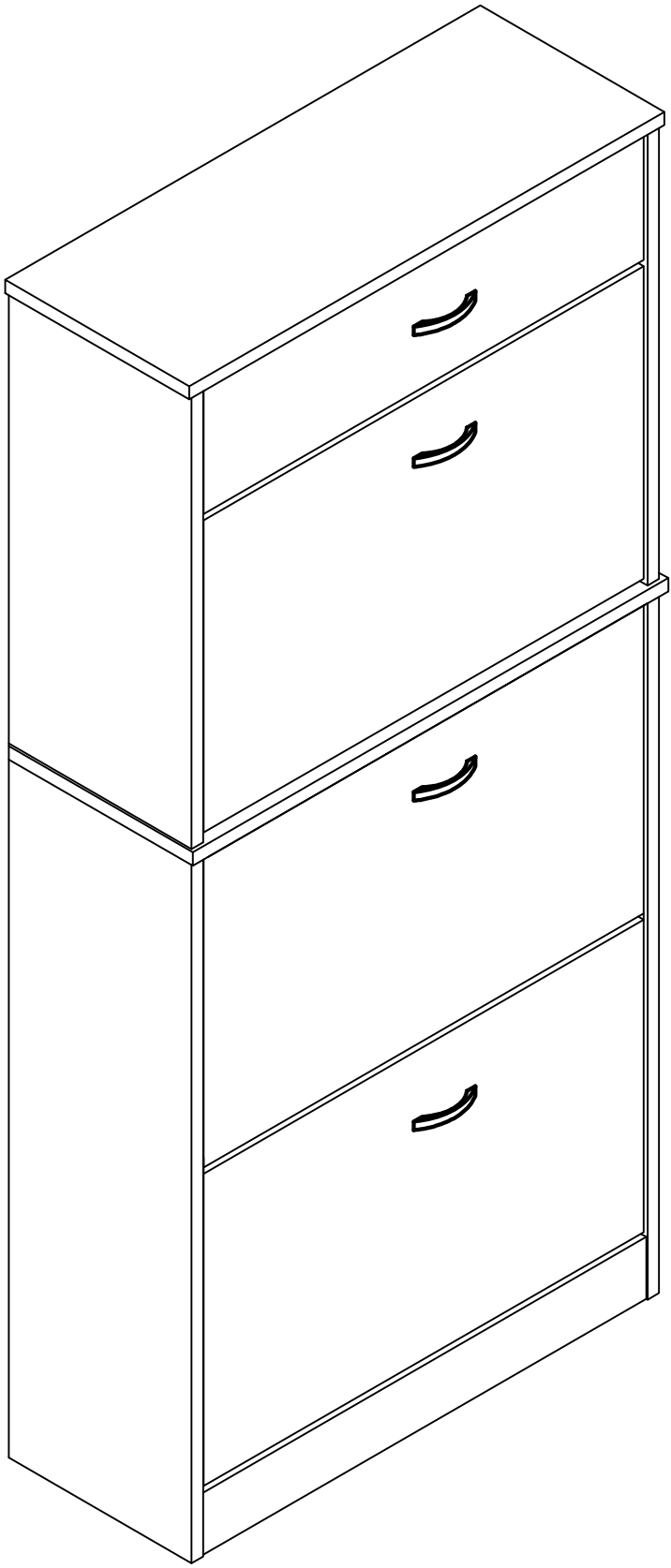
K		6PCS
N		6PCS

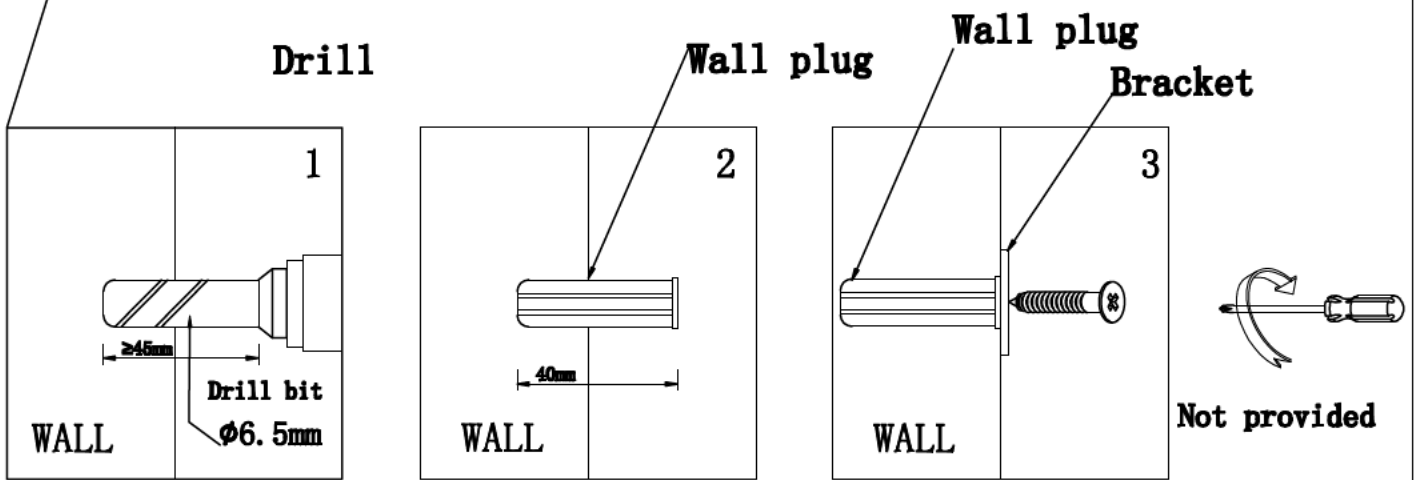
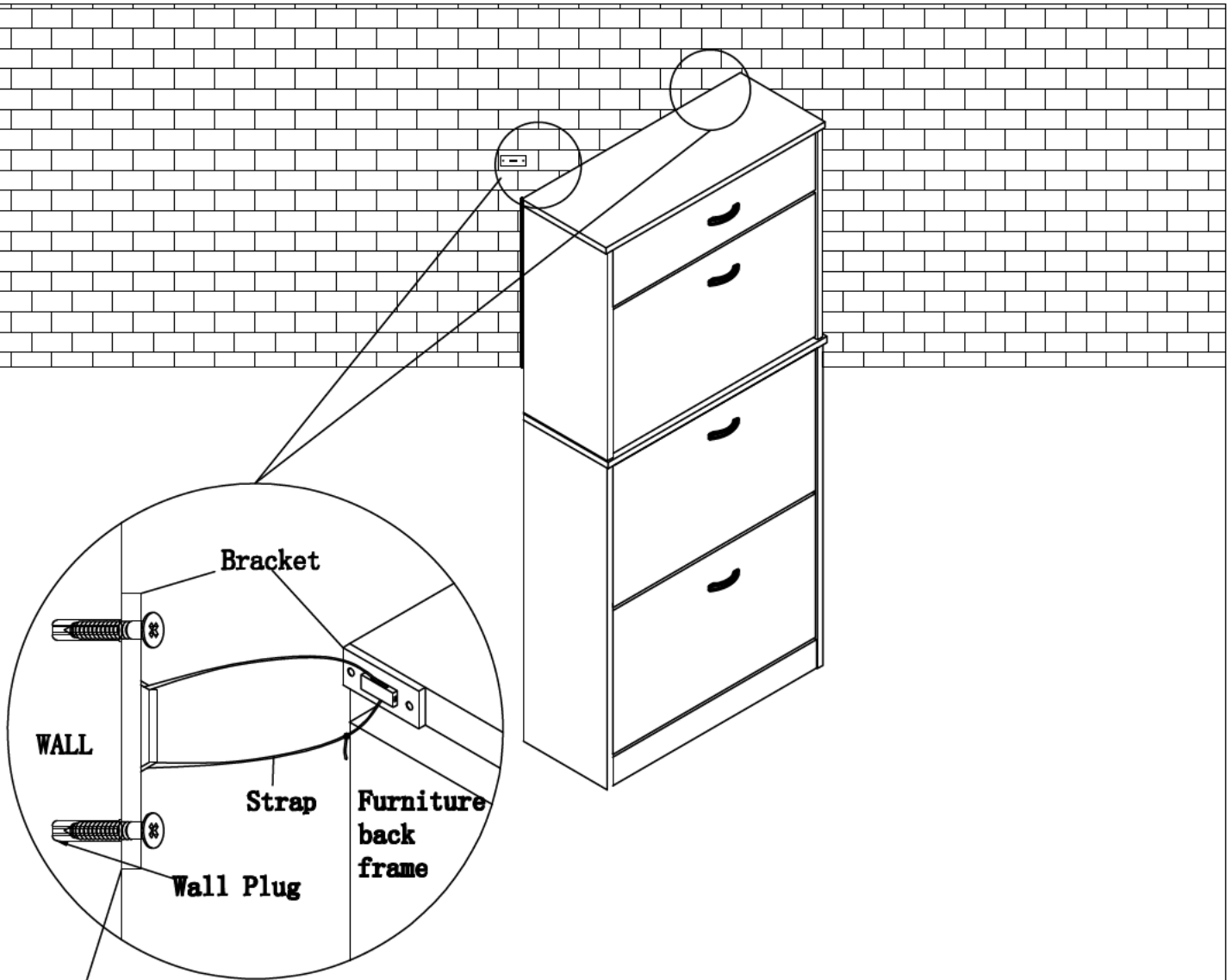


STEP 14



STEP 15





(for installation of bracket onto concrete wall)

Philip screwdriver is required to install the bracket to the wall and furniture back frame. For concrete wall-a Drill is required.

Note:Screwdriver,Drill&drill bit are not provided.