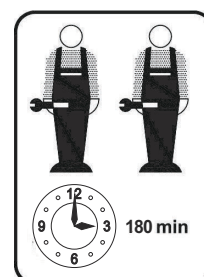


ASSEMBLY INSTRUCTION

SKU CODE: WF285508KAA
WF285509KAA
WF285510KAA

This set is included 3 boxes, if don't receive full 3 boxes, please contact our customer service team

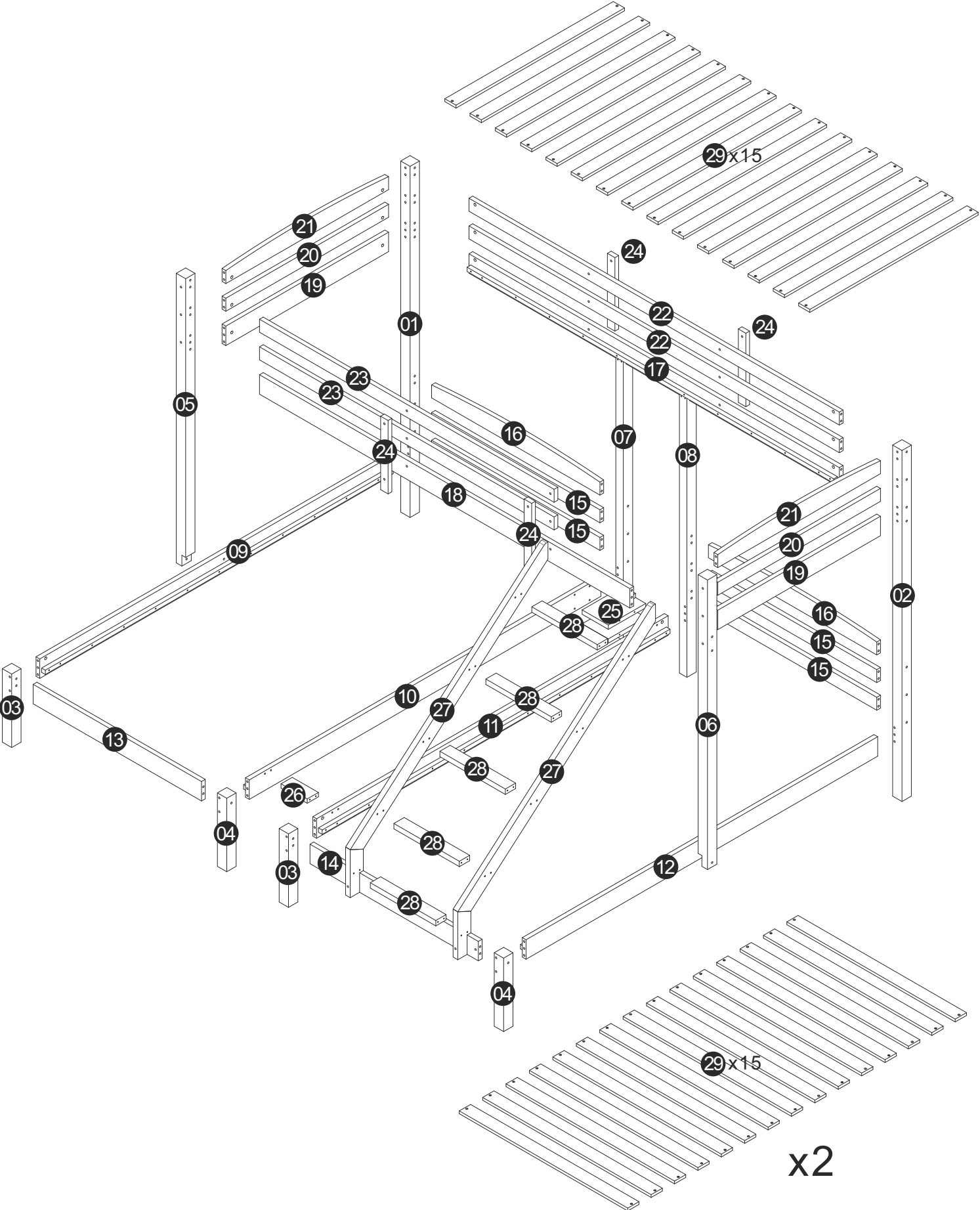
Triple Bunk Bed 190x90cm

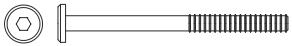



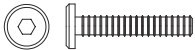
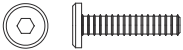



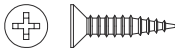




! SAFETY WARNINGS !

1. This bed is designed for use Single Mattress 190cm Long and 90cm Wide.
2. The maximum thickness of the mattress shall be stated.
3. Always use the recommended size mattresses or mattress supports, or both, to help prevent the likelihood of entrapment or falls.
4. Ensure thickness of mattress and foundation combined does not exceed 15 cm and that mattress surface at least 16 cm below upper edge of guardrails.
5. Do not allow children under 6 years of age to use the upper bunk.
6. Periodically check and ensure that the guardrail, ladder, and other components are in their proper position, free from damage, and that all connectors are tight.
7. Do not allow horseplay on or under the bed and prohibit jumping on the bed.
8. Always use the ladder for entering and leaving the upper bunk.
9. Do not use substitute parts. Contact the manufacturer or dealer for replacement parts.
10. Use of a night light may provided added safety precaution for a child using the upper bunk.
11. Always use guardrails on both long sides of the upper bunk. If the bunk bed will be placed next to the wall, the guardrail that runs the full length of the bed should be placed against the wall to prevent entrapment between the bed and wall.
12. The use of water or sleep flotation mattresses is prohibited.
13. STRANGULATION HAZARD - Never attach or hang items to any part of the bunk bed that are not designed for use with the bed; for example, but not limited to, hook, belts and jump ropes.
14. Keep these instructions for future reference.

Exploded Views



<p>A x58</p>  <p>M6x90</p>	<p>B x58</p> 	<p>C x50</p>  <p>Φ8x30</p>	<p>D x2</p>  <p>M6x60</p>
<p>E x2</p>  <p>M6x40</p>	<p>F x12</p>  <p>M6x30</p>	<p>G x16</p> 	<p>H x32</p>  <p>Φ7x60</p>
<p>J x98</p>  <p>Φ4x30</p>	<p>K x2</p>  <p>Φ3.5x16</p>	<p>L x2</p> 	<p>M x2</p> 

Important information:

Check all the components and screws before assembly. Please don't hesitate to contact us if the package you received is missing parts or screws.

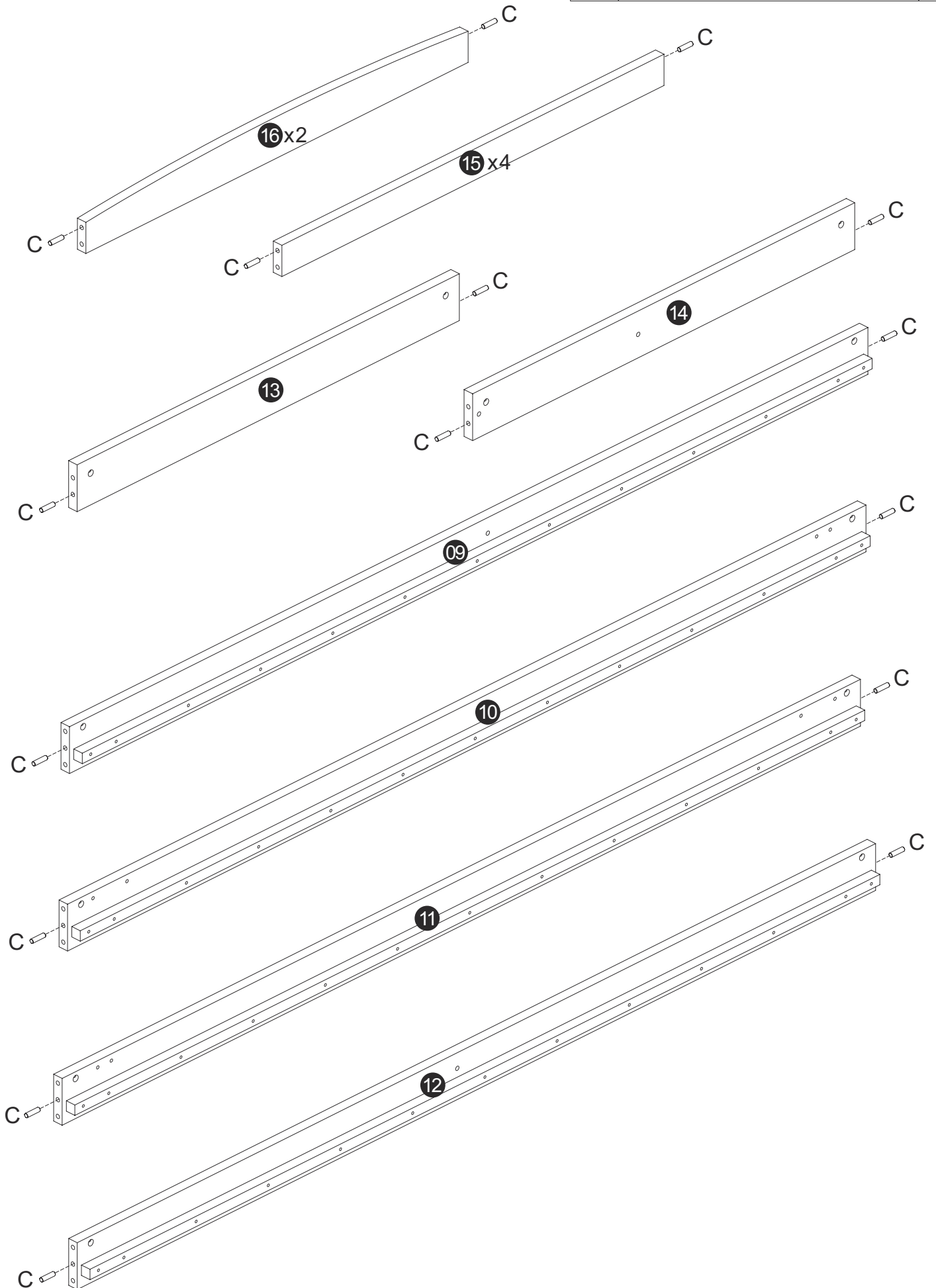
Step 1

C



Φ8x30

24



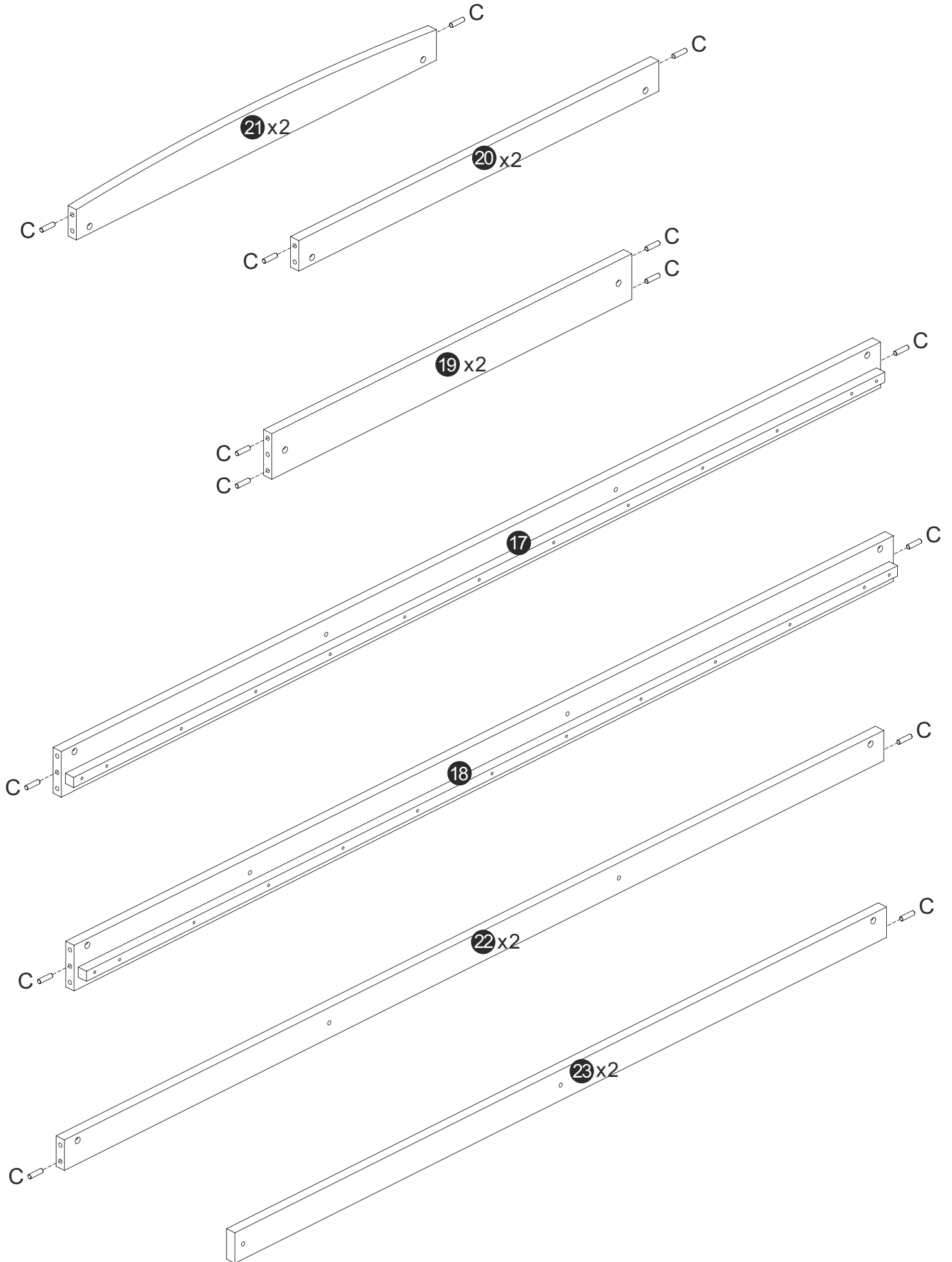
Step 2

C





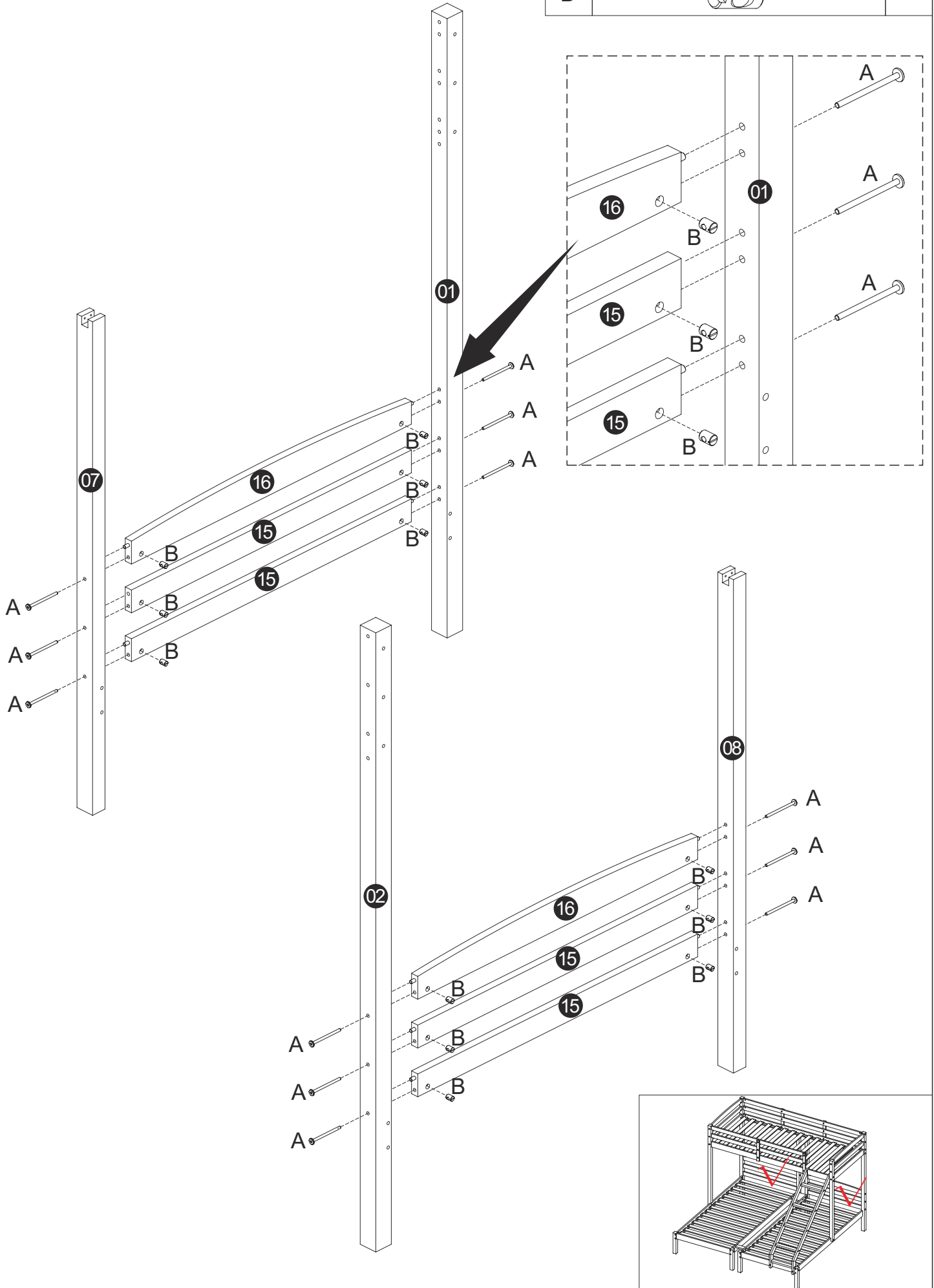
Φ8x30

26





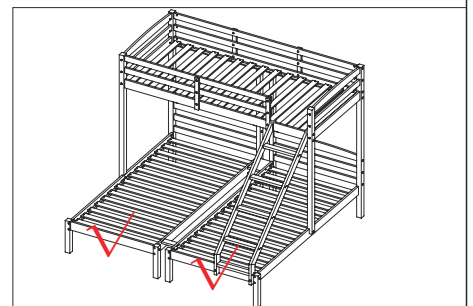
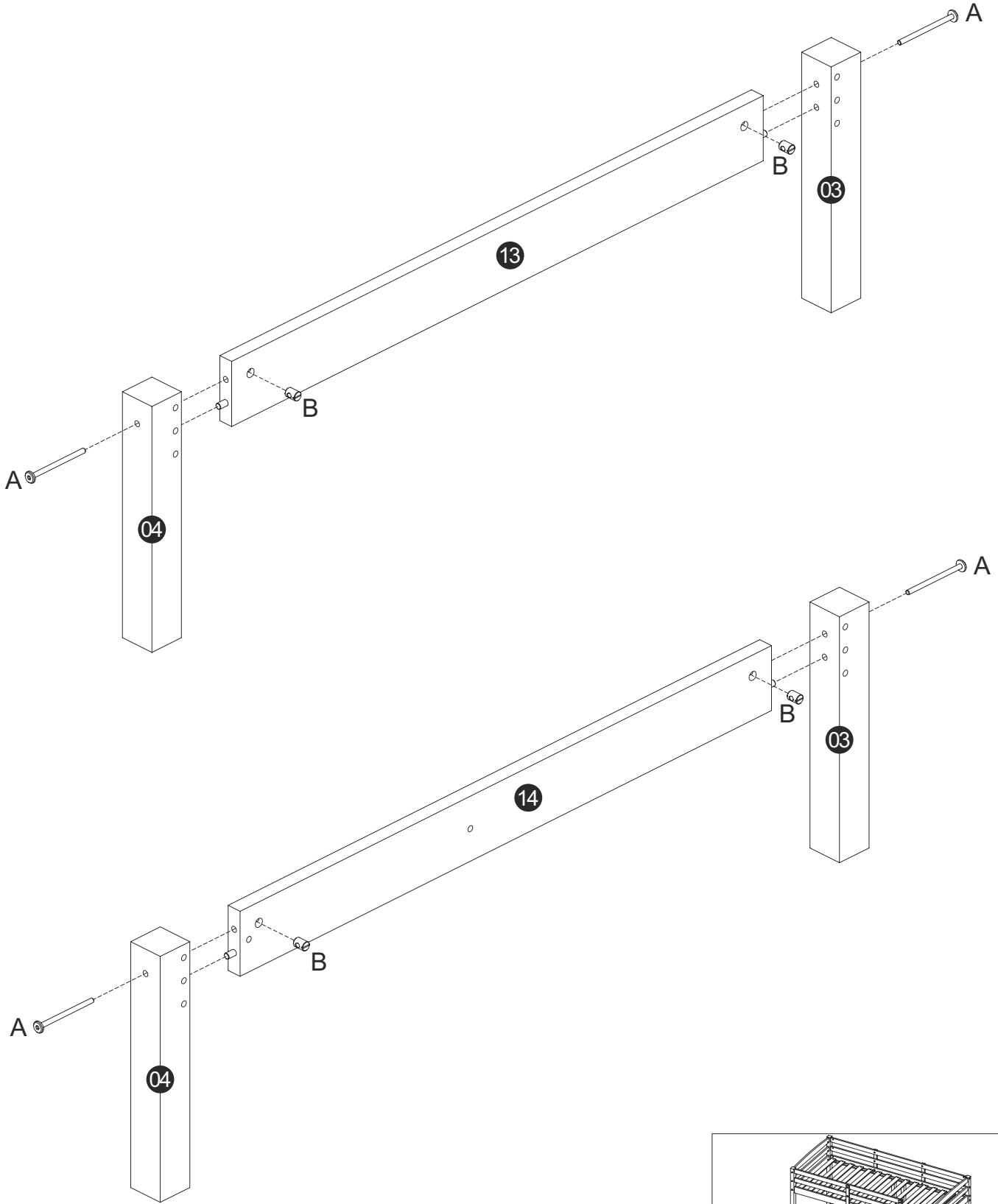
Step 3

A		M6x90	12
B			12





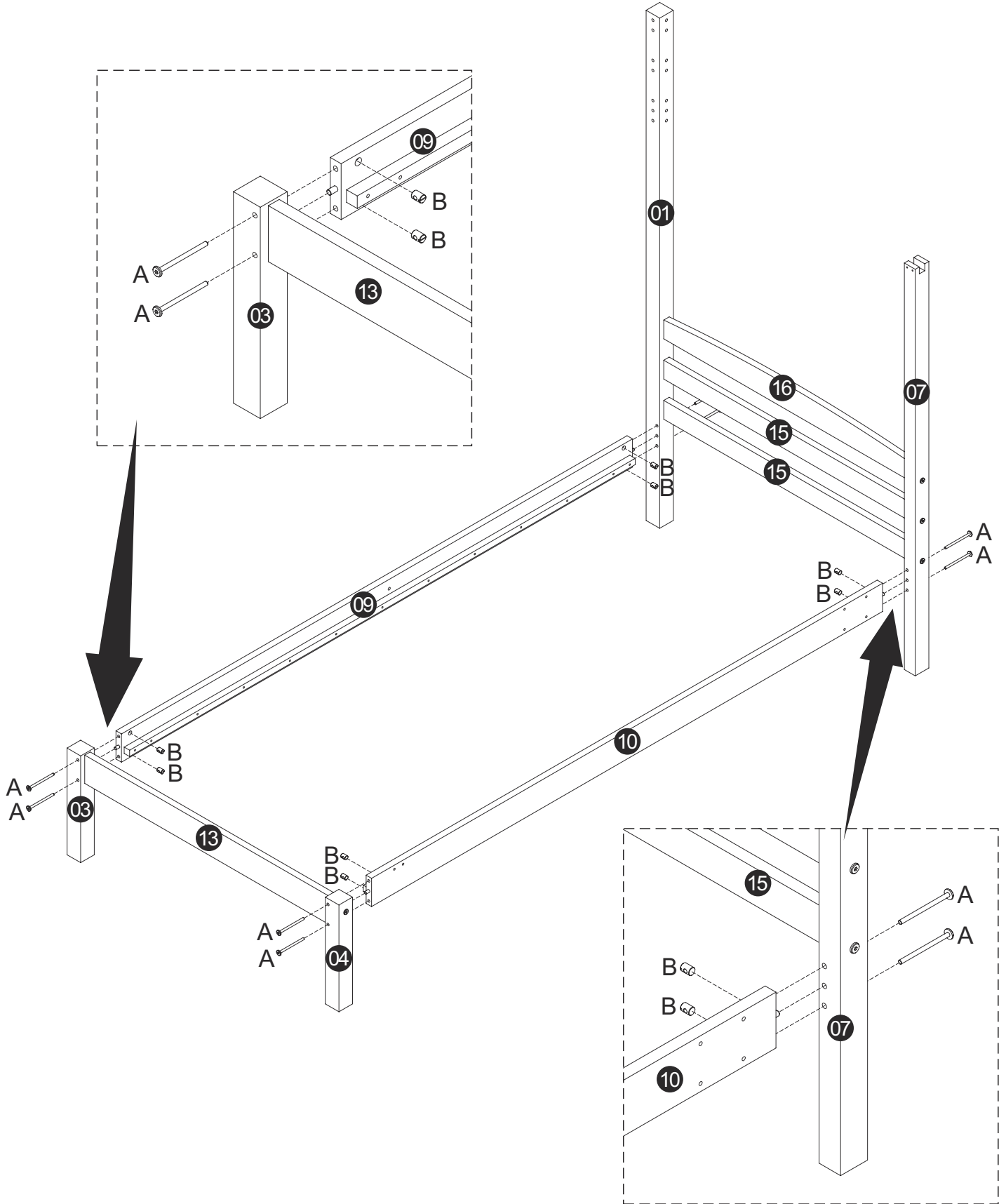
Step 4

A	 M6x90	4
B		4



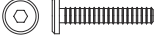
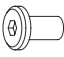


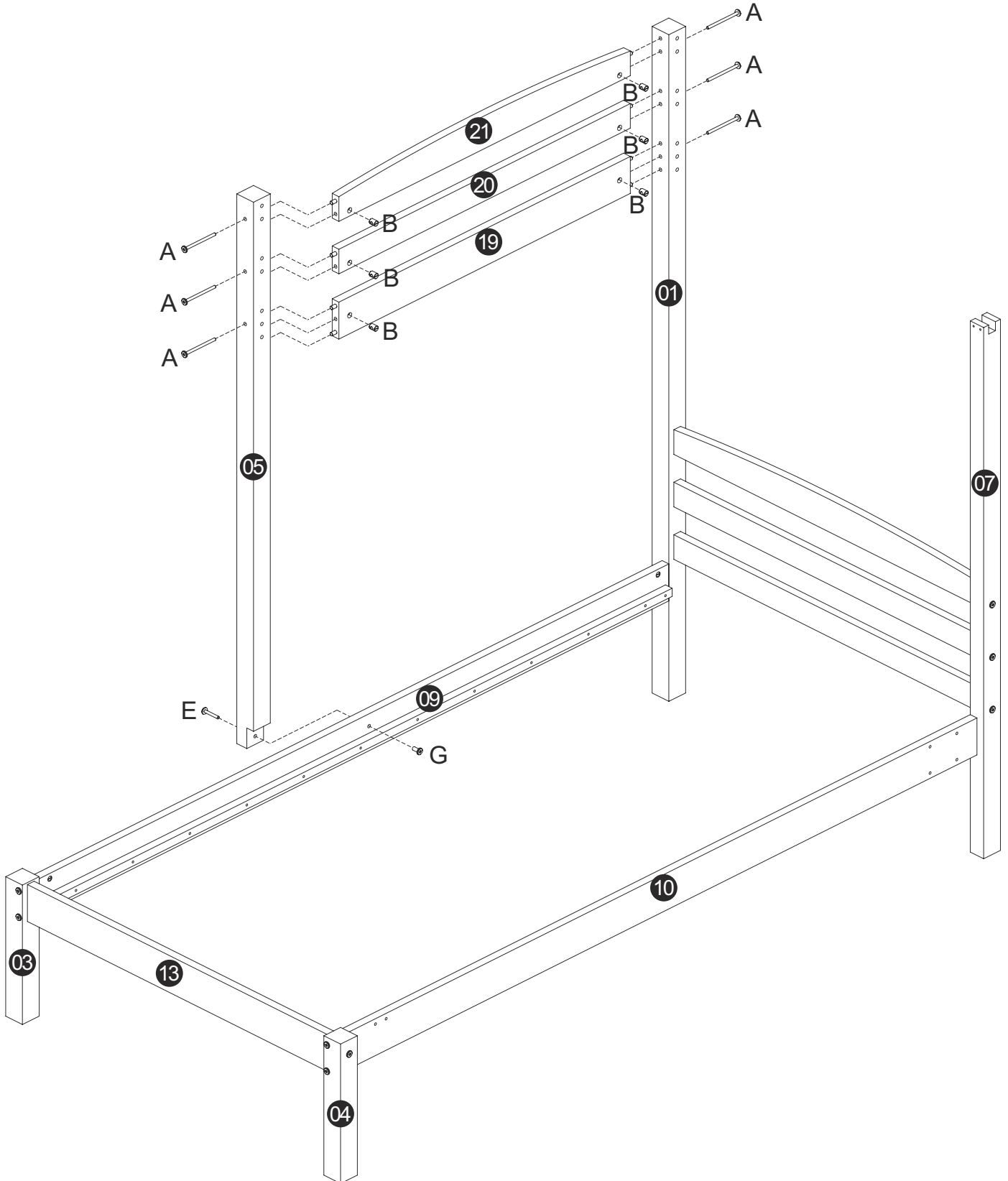
Step 5

A		M6x90	8
B			8





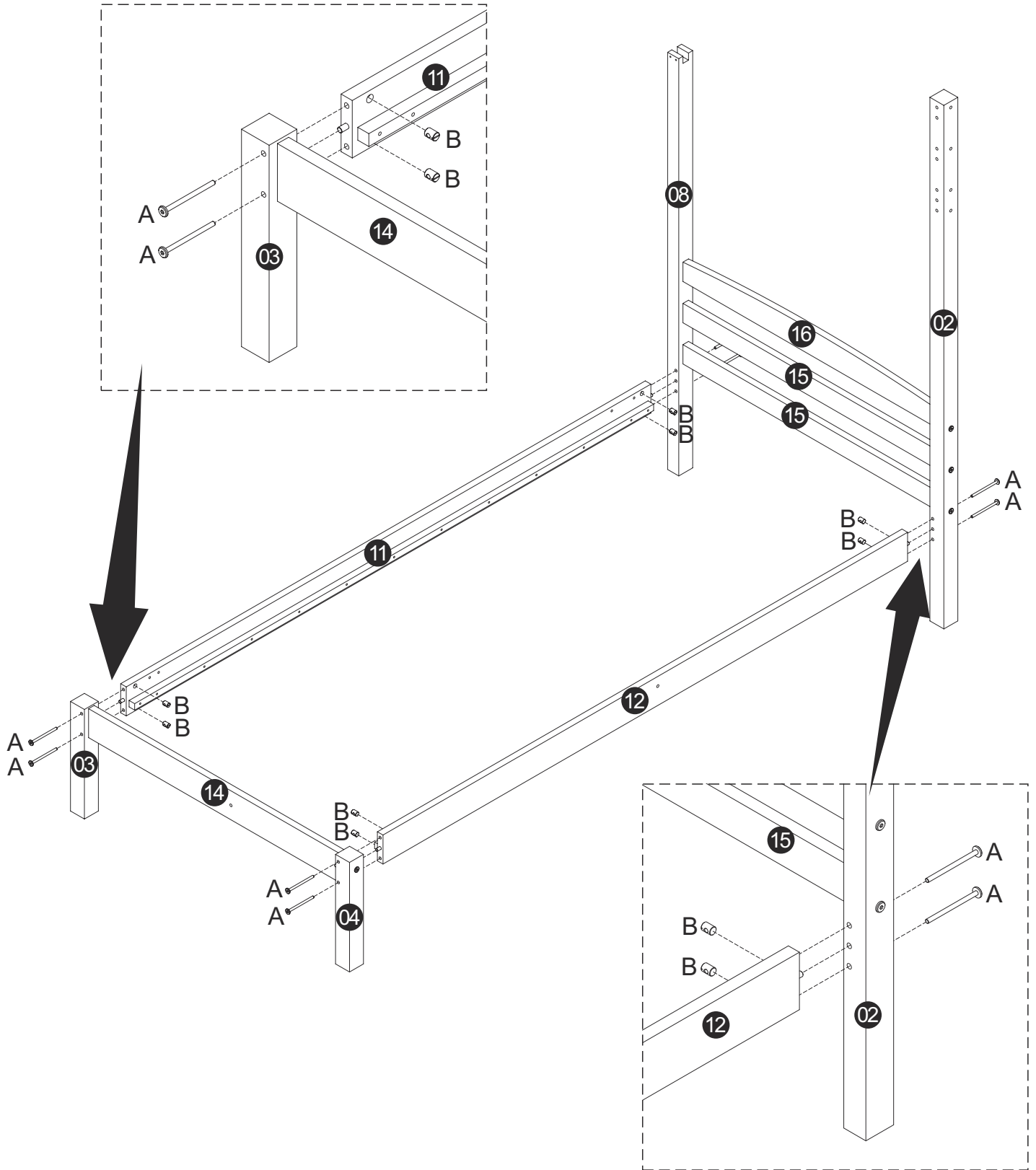
Step 6

A		M6x90	6
B			6
E		M6x40	1
G			1



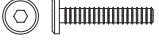
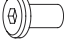


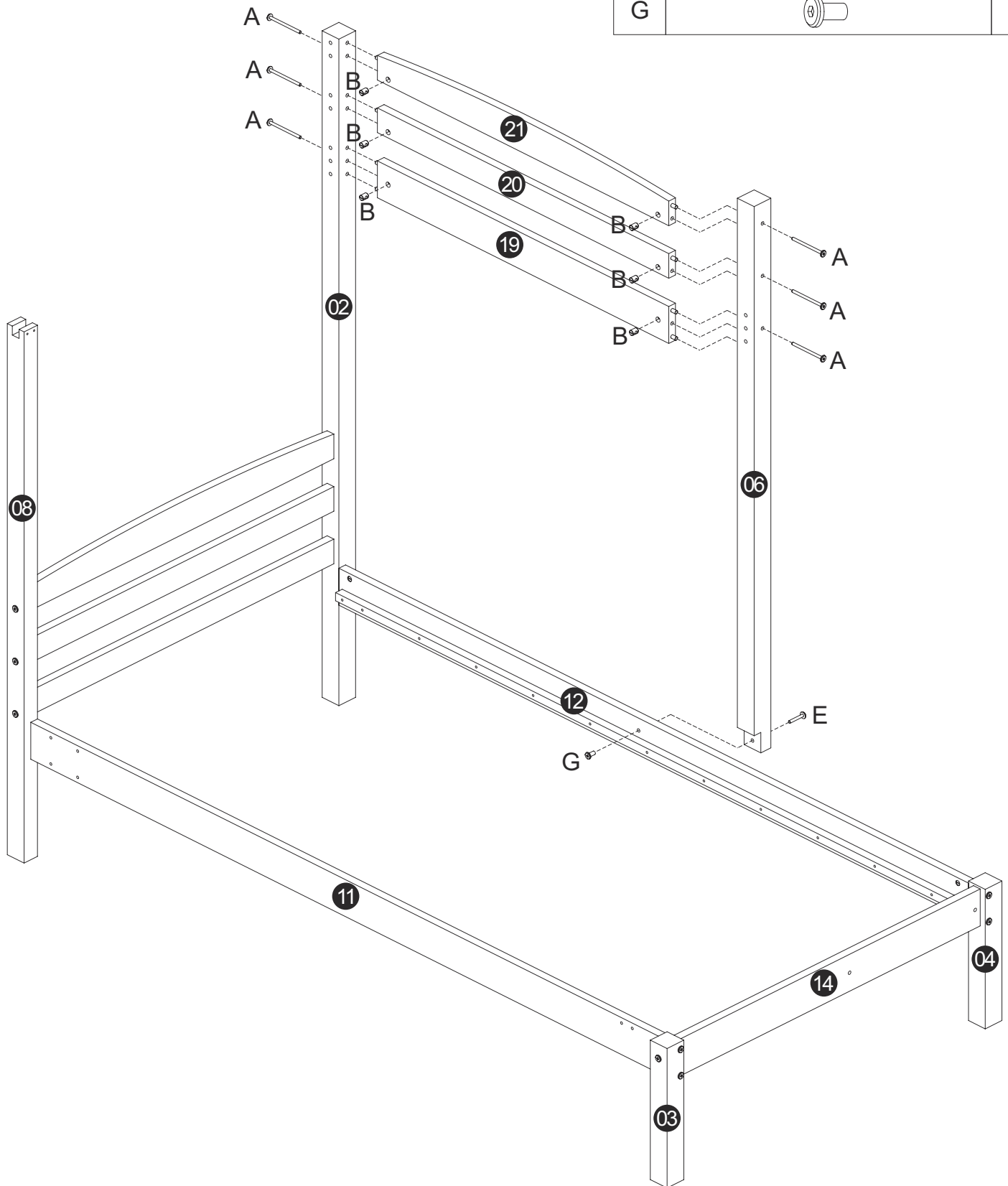
Step 7

A		M6x90	8
B			8

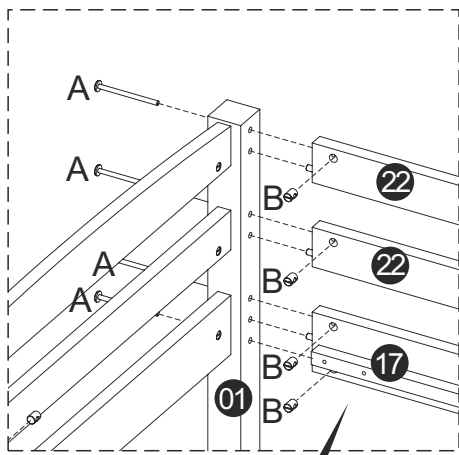


Step 8

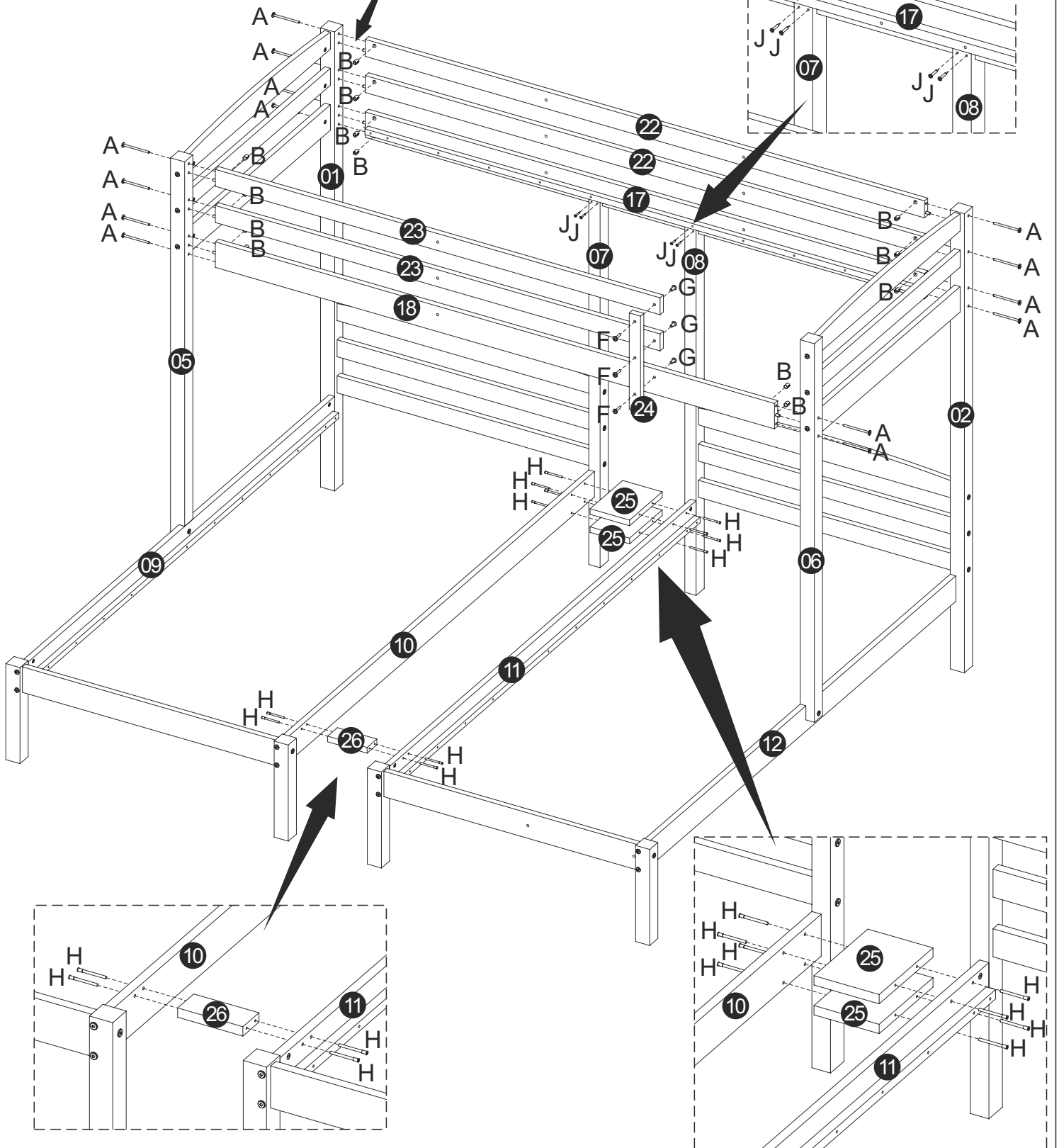
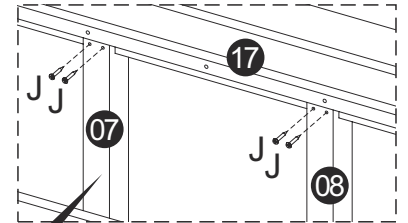
A		M6x90	6
B			6
E		M6x40	1
G			1





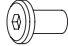
Step 9

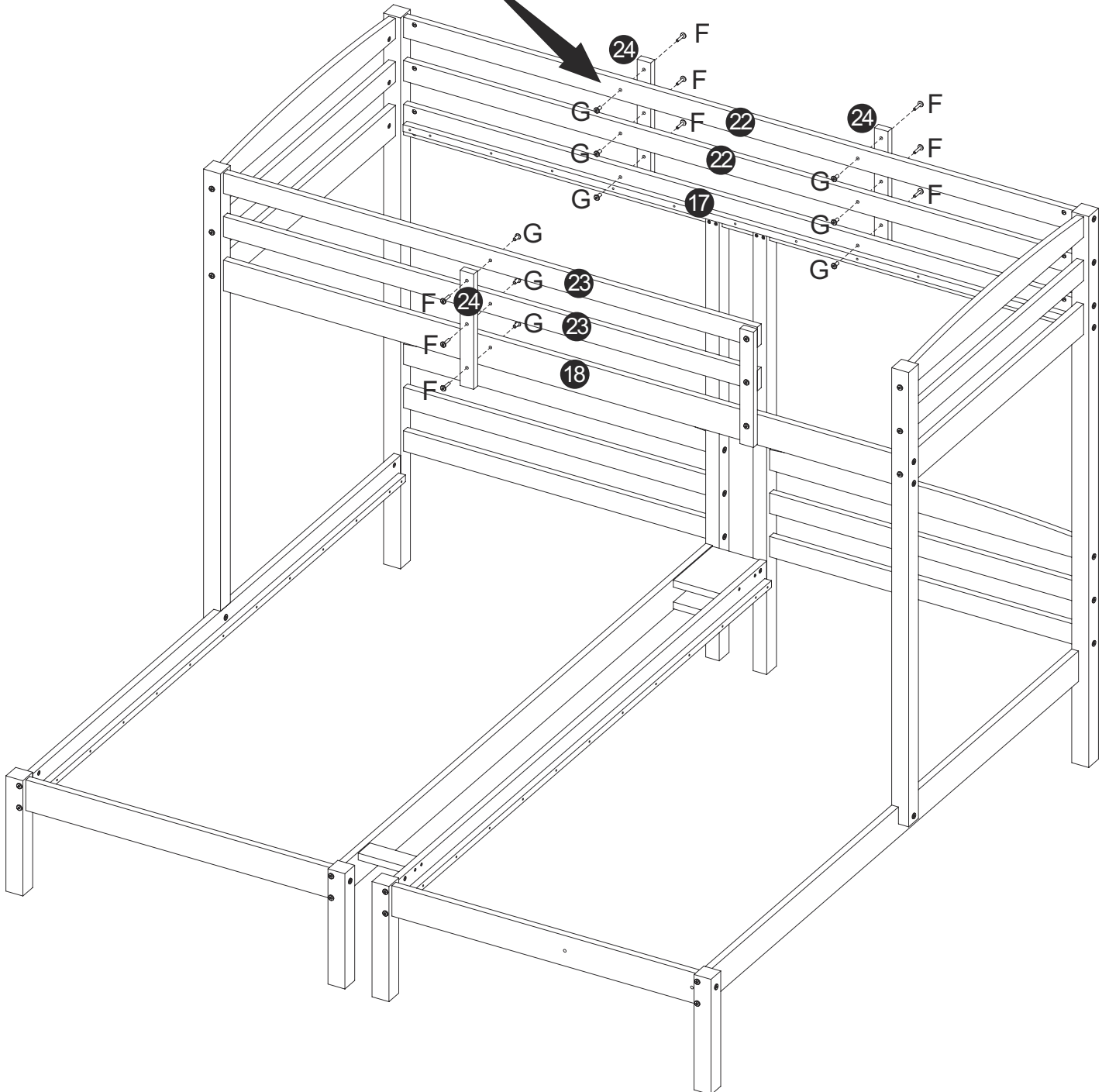
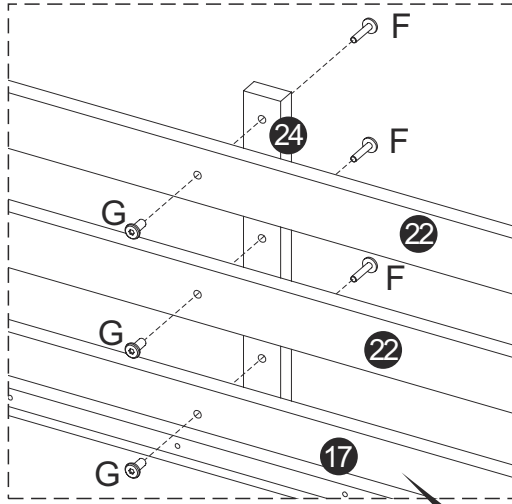


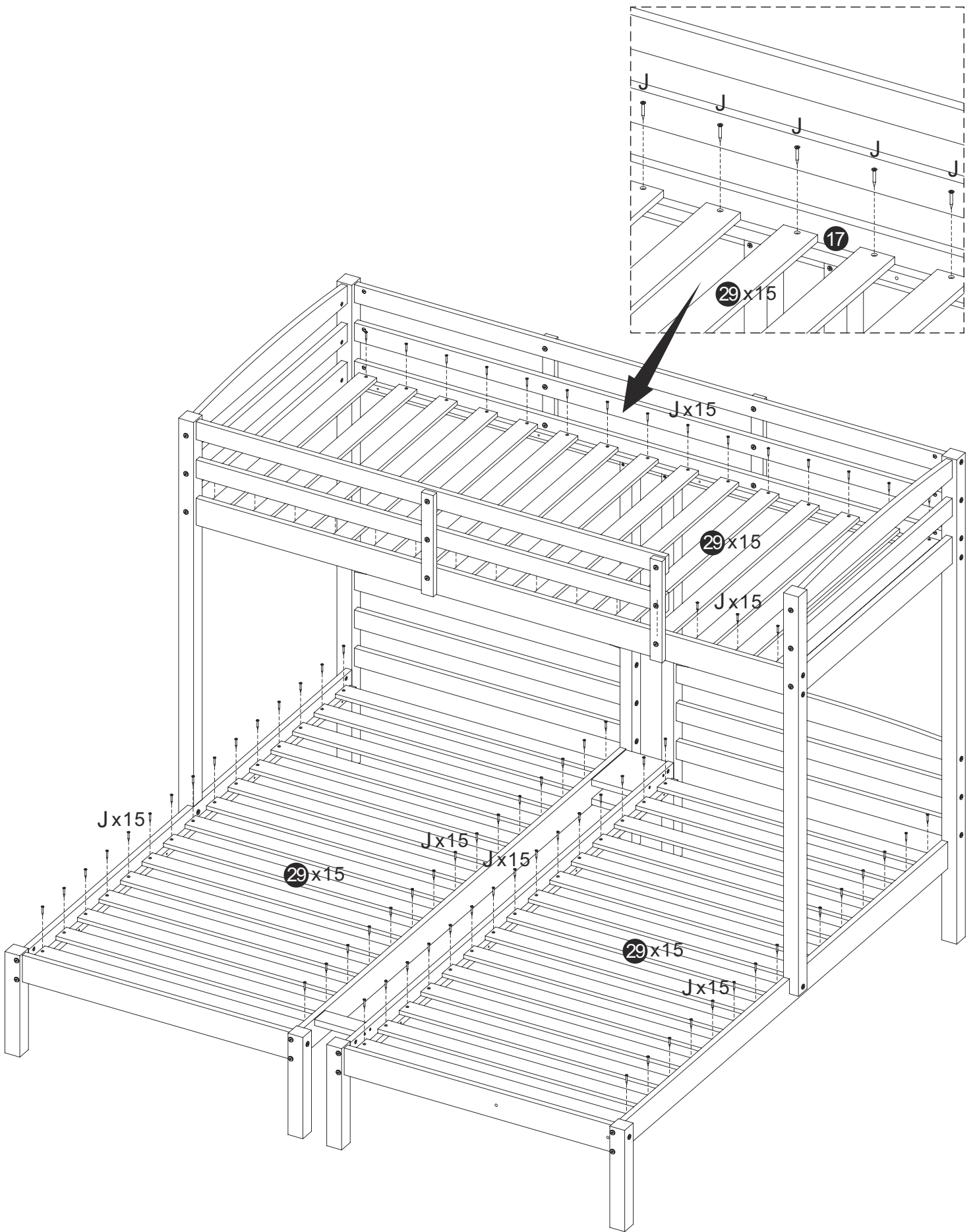
A		M6x90	14
B			14
F		M6x30	3
G			3
J		Φ4x30	4
H		Φ7x60	12






Step 10

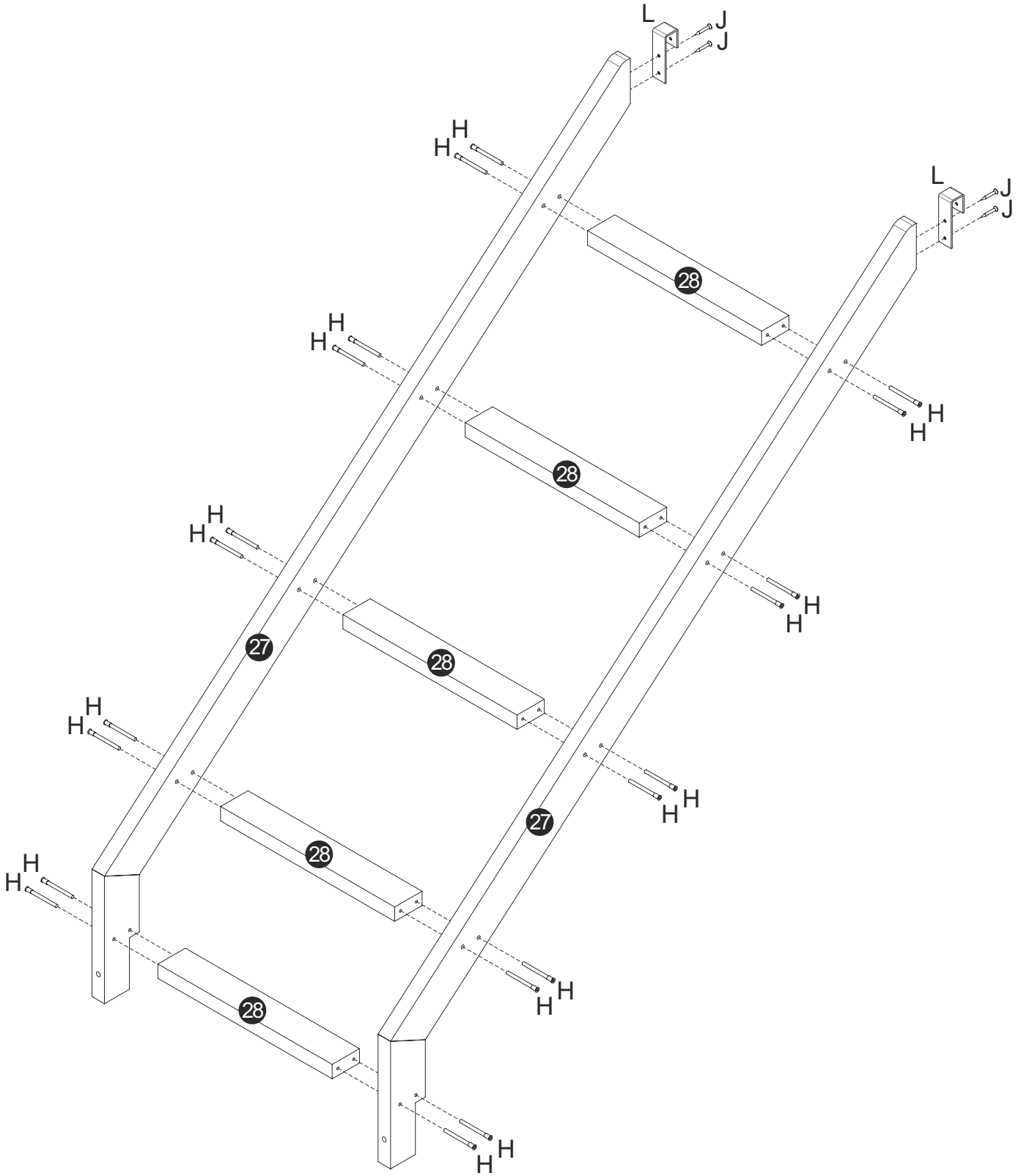
F	  M6x30	9
G		9










Step 12

H	 Φ7x60	20
J	 Φ4x30	4
L		2



Step 13

D	  M6x60	2
G		2
K	  $\Phi 3.5 \times 16$	2

