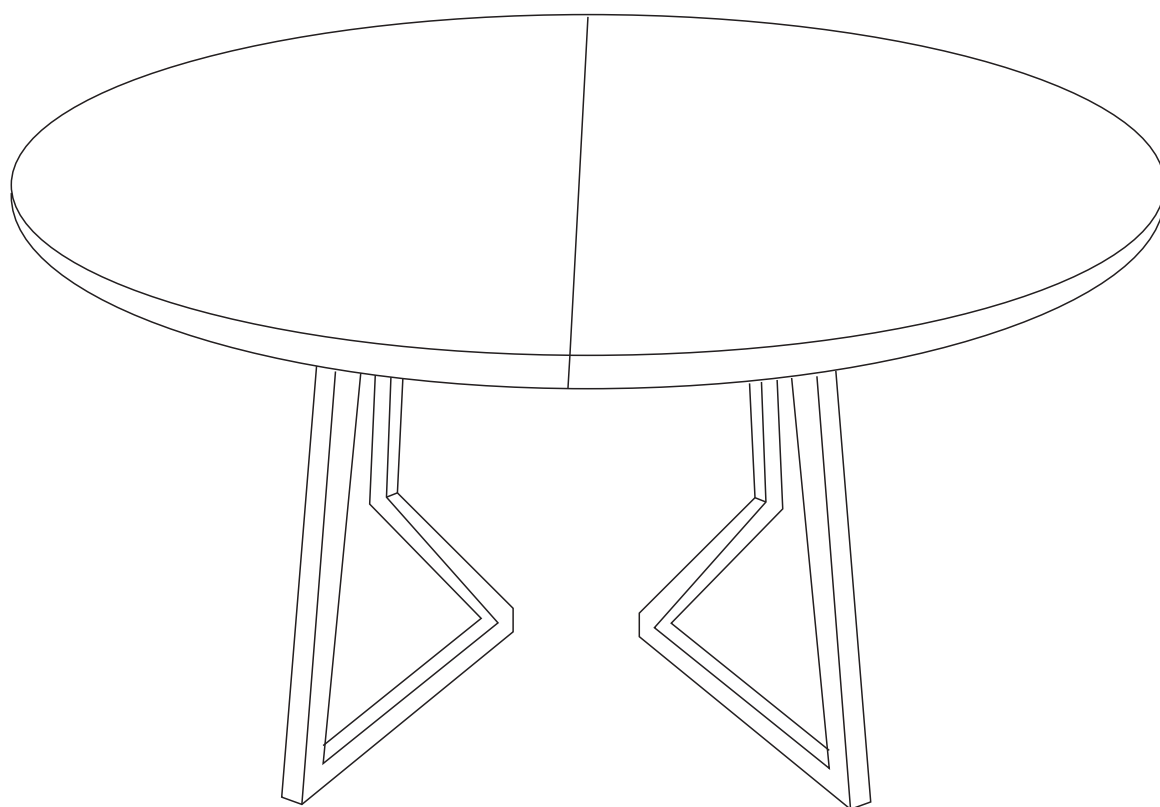


# INSTRUCTION MANUAL



## **Attention:**

If you encounter any problems during in-stallation or use, pls feel free to contact us on shopping platform.

We will provide you with a satisfactory solution with in 24 hours.



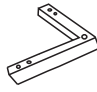
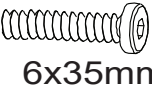
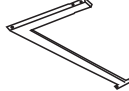
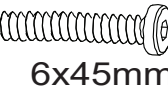

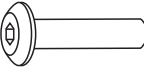






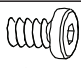



# Step. 1

## THIS SHOULD BE EASY JUST FOLLOW OUR INSTRUCTIONS!

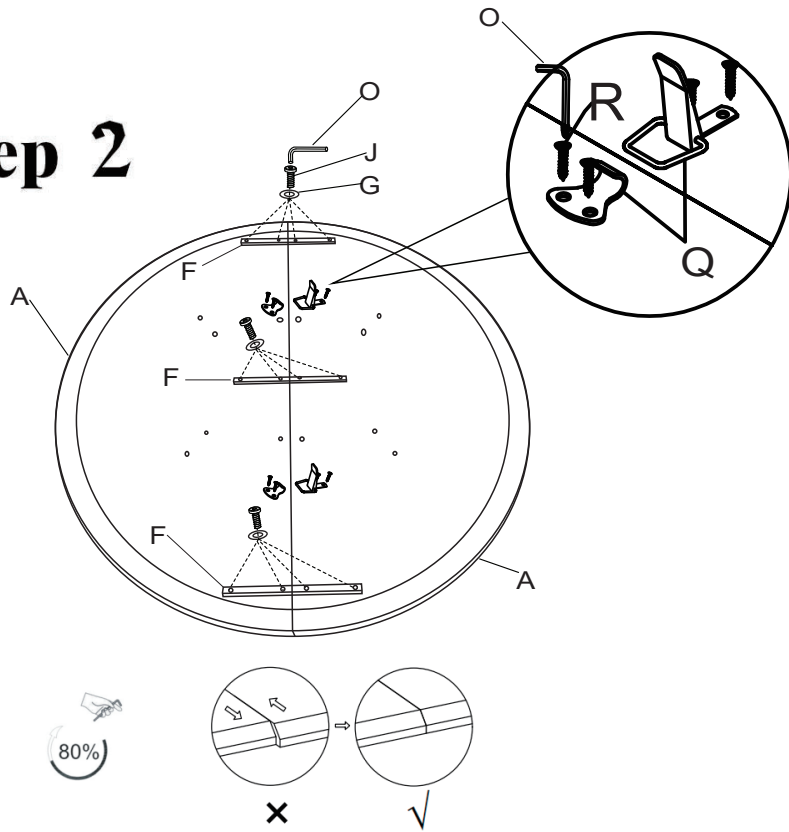
### Before the Installation

- ①Unpack all hardware bags and components to ensure you have all parts.
- ②Assemble on a clean non-marring surface (such as the product's packing foam)

#### What's included

|   |   |              |   |   |        |     |
|---|---|--------------|---|---|--------|-----|
| A |  | x2           | J |   | 6x25mm | x12 |
| B |  | x2           | K |   | 6x35mm | x4  |
| C |  | x4           | L |   | 6x45mm | x4  |
| D |  | x2           | M |   |        | x4  |
| E |  | x2           | N |  |        | x6  |
| F |  | x3           | O |   |        | x1  |
| G |  | x36          | P |   |        | x1  |
| H |  | 6x10mm<br>x8 | Q |   |        | x2  |
| I |  | 6x20mm<br>x8 | R |  |        | x8  |

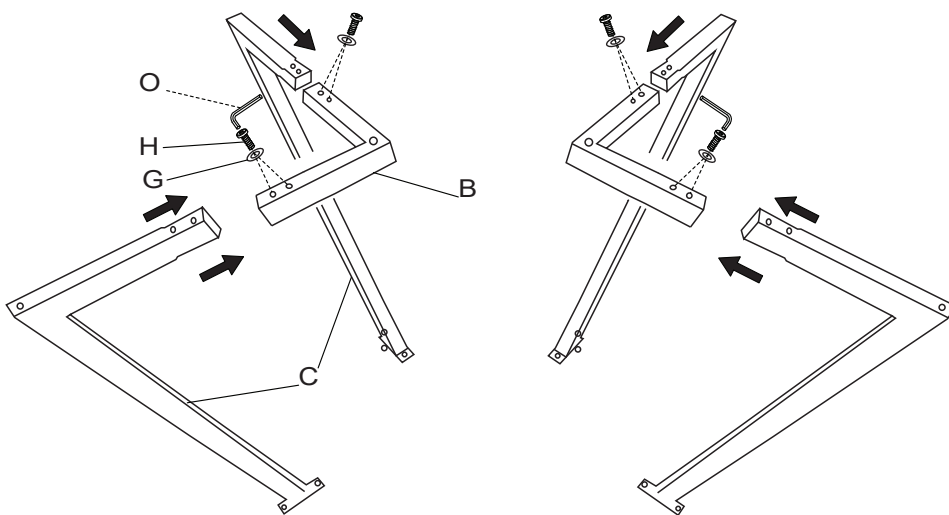
## Step 2



|    |    |     |     |
|----|----|-----|-----|
| A  | F  | G   | J   |
|    |    |     |     |
| x2 | x3 | x12 | x12 |
| O  | Q  | R   |     |
|    |    |     |     |
| x1 | x2 | x8  |     |

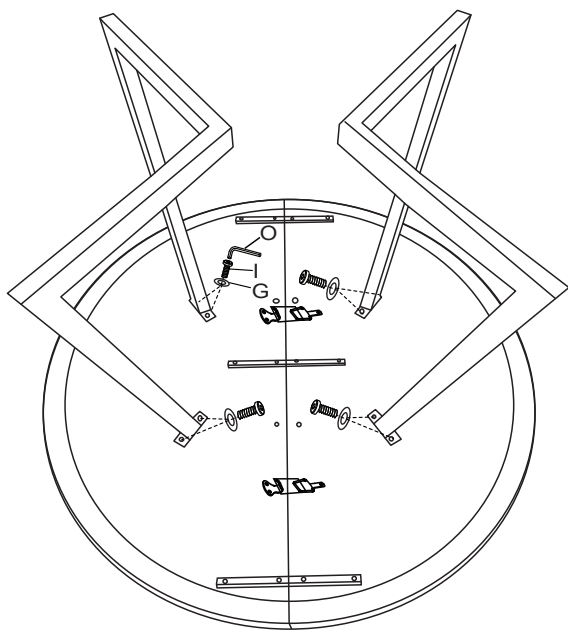
Please align the table plate and fit it tightly before tightening the screws.  
Be careful to differentiate between the sizes of different parts.


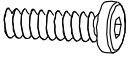

## Step 3



|              |    |    |
|--------------|----|----|
| B            | C  | G  |
|              |    |    |
| x2           | x4 | x8 |
| H            | O  |    |
|              |    |    |
| 6x10mm<br>x8 | x1 |    |

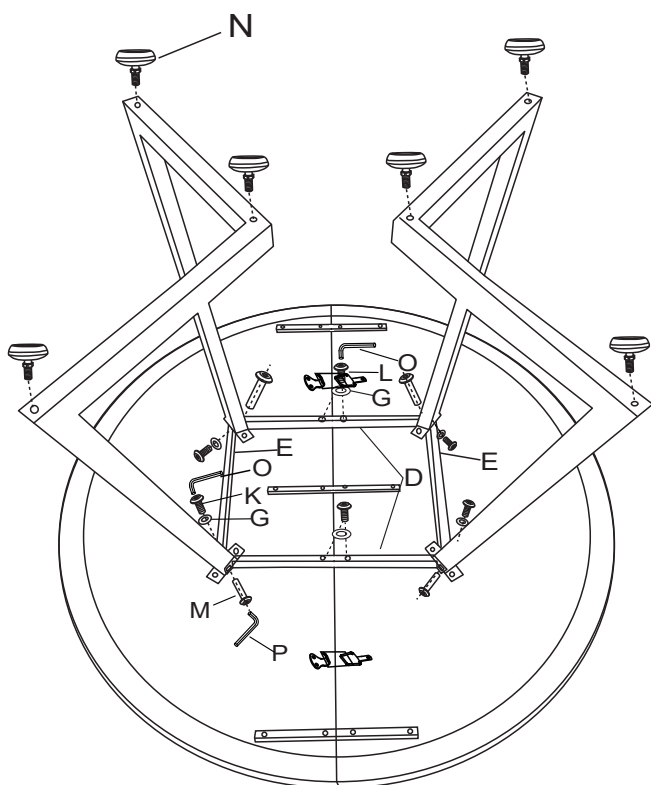
## Step 4




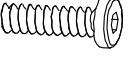
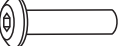






|   |   |   |
|---|---|---|
| G   | I   | O   |
|  |  |  |
| x8  | 6x20mm<br>x8  | x1  |

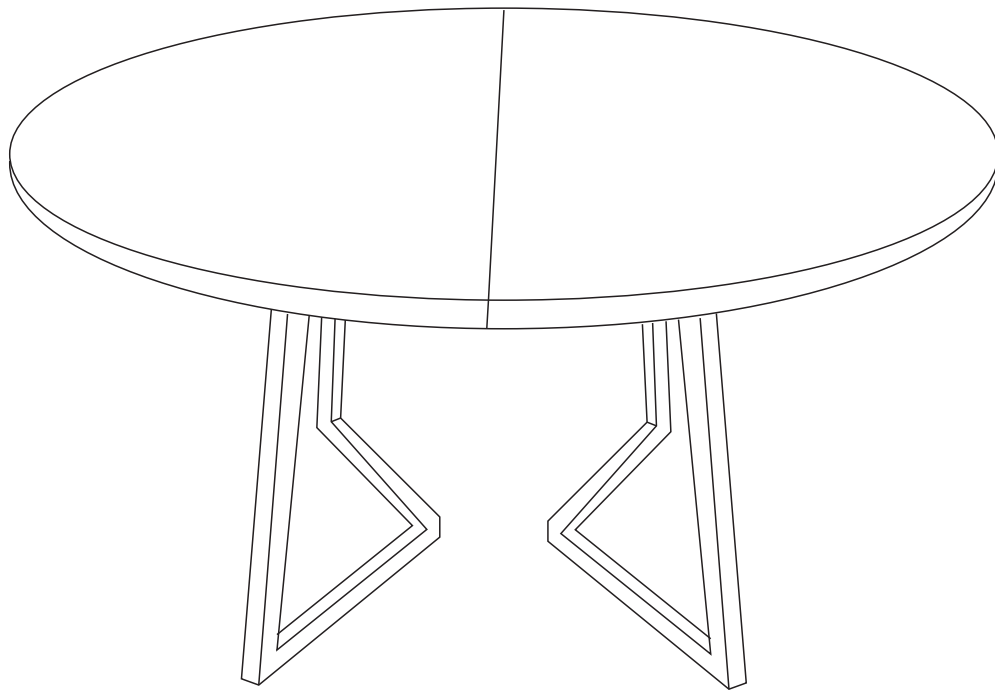
Be careful to differentiate between the sizes of different parts.

## Step 5



|   |   |   |
|---|---|---|
| D   | E   | G   |
|  |  |  |
| x2  | x2  | x8  |
| L   | M   | N   |
|  |  |  |
| 6x45mm<br>x4  | x4  | x6  |
| P   | K   | O   |
|  |  |  |
| x1  | 6x35mm<br>x4  | x1  |

# Step. 6



## Care and Cleaning

1. To protect the finish, avoid use chemicals and household cleaners
2. All hot serving dishes should be placed on a pad.
3. Any liquid spilled onto the top should be cleaned up immediately with a damp cloth.