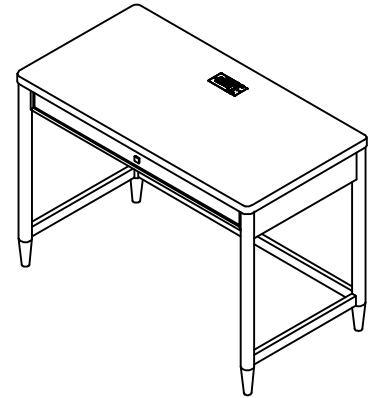


Made in Viet Nam

Assembly Instructions

Warning :

- Be sure to check all packing material carefully for small parts, which may have come loose inside the carton during shipment.
- To prevent possible scratches and damage, this furniture **MUST BE ASSEMBLED BY TWO PEOPLE** on a soft surface such as a blanket or carpet.

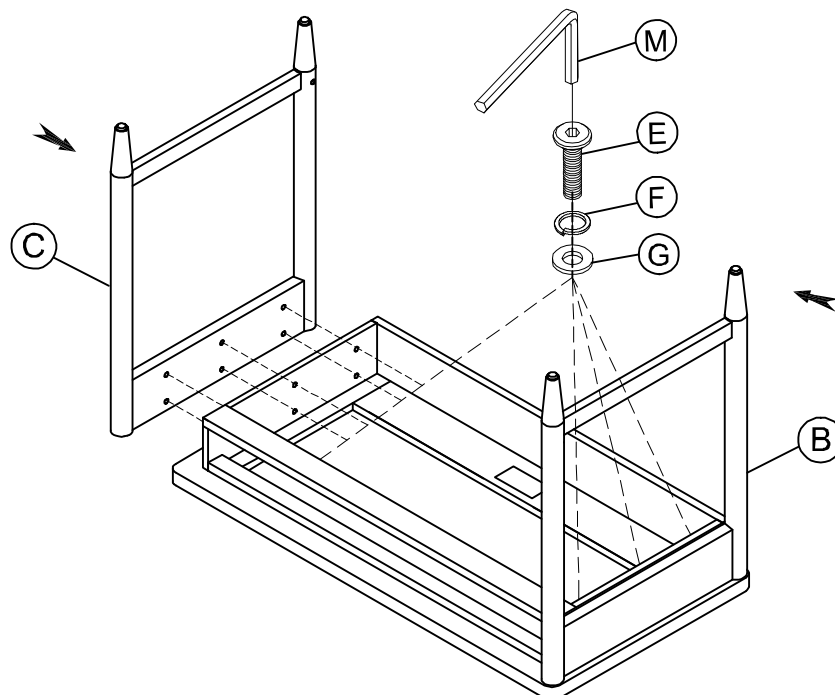


Writing Desk

Components and Hardware List

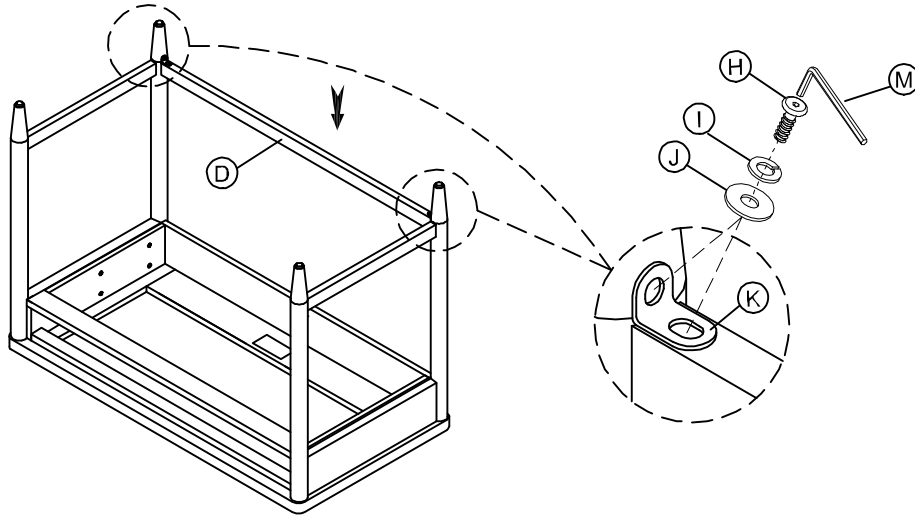
<p>Top Assembly</p> <p>1 pc.</p>	<p>Leg Assembly (Left)</p> <p>1 pc.</p>	<p>Leg Assembly (Right)</p> <p>1 pc.</p>	<p>Stretcher</p> <p>1 pc.</p>	<p>Allen Head Bolt 5/16" x 1 1/8"</p> <p>12 pcs.</p>		
<p>Spring Washer 5/16"</p> <p>12 pcs.</p>	<p>Flat Washer 5/16" x 3/4"</p> <p>12 pcs.</p>	<p>Allen Head Bolt 1/4"x 5/8"</p> <p>8 pcs.</p>	<p>Spring Washer 1/4"</p> <p>8 pcs.</p>	<p>Flat Washer 1/4" x 1/2"</p> <p>8 pcs.</p>	<p>L - Bracket</p> <p>2 pcs.</p>	<p>Mending Plate</p> <p>2 pcs.</p>
<p>Step 1 : Remove Drawer</p>					<p>4 mm Allen Key</p> <p>1 pc.</p>	<p>Tipping Restraint Kit</p> <p>1 pc.</p>

Step 2 : Do not fully tighten the bolts

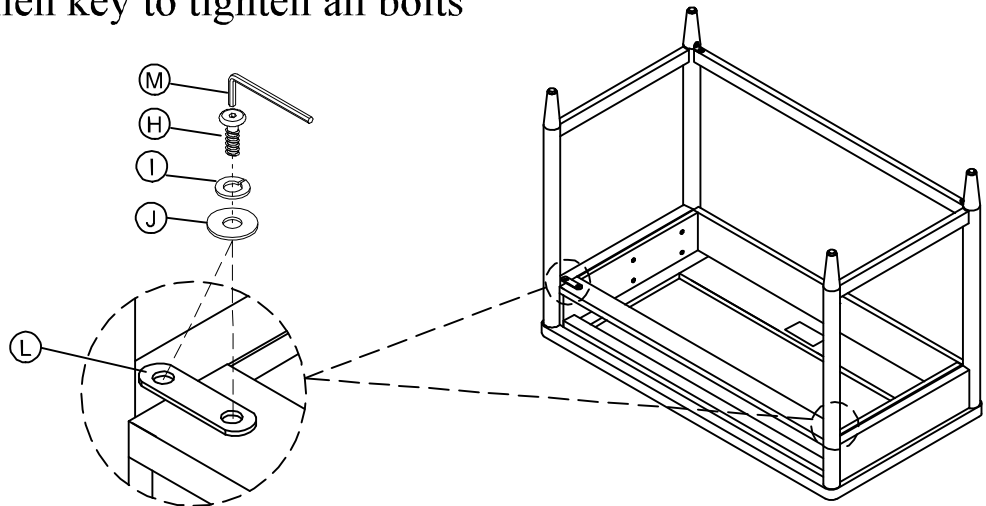


Assembly Instructions

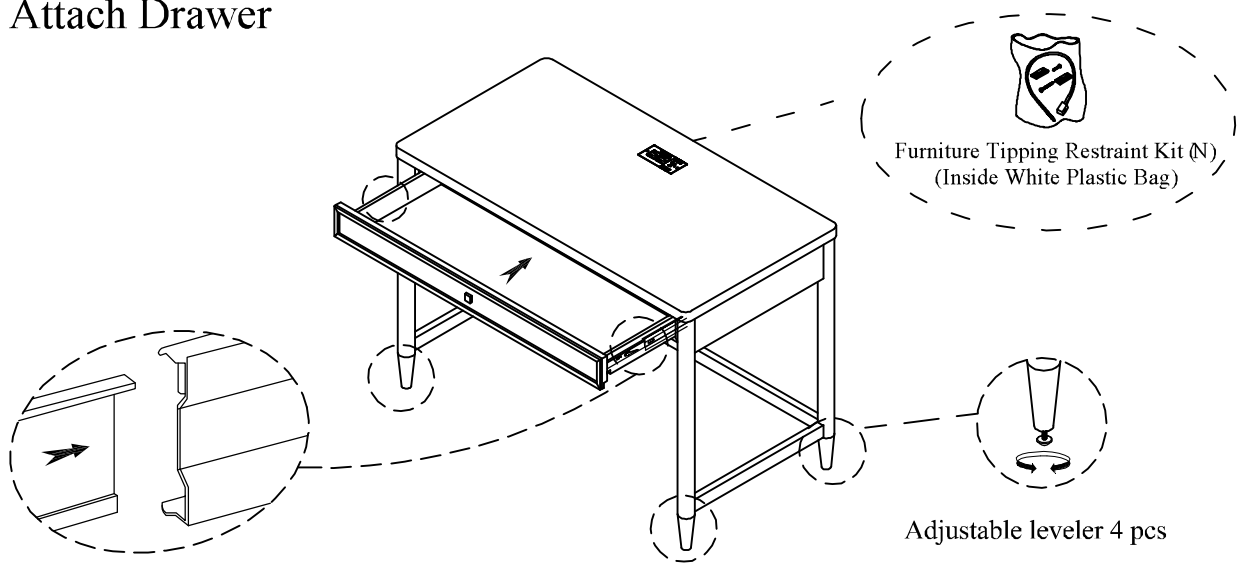
Step 3 : Do not fully tighten the bolts



Step 4 : Using the Allen key to tighten all bolts



Step 5 : Attach Drawer



For product and personal safety, a Furniture Tipping Restraint kit has been included with this unit which can help to minimize the risk of the unit accidentally tipping forward, if used and properly installed per the manufacturer's instructions.